



US00D804081S

(12) **United States Design Patent** (10) **Patent No.:** **US D804,081 S**
Luo (45) **Date of Patent:** **** Nov. 28, 2017**

(54) **LED LAMP WICK**
(71) Applicant: **Huicai Luo**, Shenzhen (CN)
(72) Inventor: **Huicai Luo**, Shenzhen (CN)
(**) Term: **15 Years**
(21) Appl. No.: **29/567,440**
(22) Filed: **Jun. 9, 2016**
(51) **LOC (10) Cl.** **26-04**
(52) **U.S. Cl.**
USPC **D26/116**
(58) **Field of Classification Search**
USPC D26/20, 27, 30, 31, 32, 25, 35, 36, 42,
D26/46, 55, 69, 70, 78, 80, 101, 110,
D26/109, 118-120, 123, 124, 127, 133,
D26/134, 139; D7/416; D10/111-115;
D13/134, 158-178; D14/473, 230;
D99/99; D25/126-135; D11/144;
D22/118
CPC E02D 5/56; H05B 41/00; H05B 37/0272;
F23Q 25/00; H01J 61/0737; A01D 45/02;
F23D 3/00; F21S 8/02; F21S 4/28; F21S
4/008; F21S 48/212; F21S 2/005
See application file for complete search history.

(56) **References Cited**
U.S. PATENT DOCUMENTS
2,095,159 A * 10/1937 Topley F23D 3/00
431/316
3,205,517 A * 9/1965 Hinrichs A01D 45/02
15/104.001
3,985,492 A * 10/1976 Nunemaker F23Q 25/00
431/144
3,988,629 A * 10/1976 White H01J 61/0737
313/346 R
D282,566 S * 2/1986 Cragun D7/416
D314,939 S * 2/1991 Tetrault D13/158
D353,971 S * 1/1995 Inoue D22/118

D474,159 S * 5/2003 Ufer D13/158
D581,582 S * 11/2008 Monk F23Q 25/00
D26/127
D696,231 S * 12/2013 Konishi D14/230
D754,880 S * 4/2016 Reusing D25/133
2012/0119681 A1* 5/2012 Seidl H05B 37/0272
315/362
2015/0368870 A1* 12/2015 Lutenegger E02D 5/56
405/252.1

OTHER PUBLICATIONS

“National Artcraft Mason Jar Cap With Oil Candle Insert Kit (Pkg/2)” Mar. 8, 2013, alibaba.com, site visited Feb. 28, 2017 <https://m.alibaba.com/guide/shop/national-artcraft-mason-jar-cap-with-oil-candle-insert-kit-pkg-2_62692398.html>.*

* cited by examiner

Primary Examiner — Kevin Rudzinski
Assistant Examiner — Paul Bohannon
(74) *Attorney, Agent, or Firm* — Wayne & King LLC

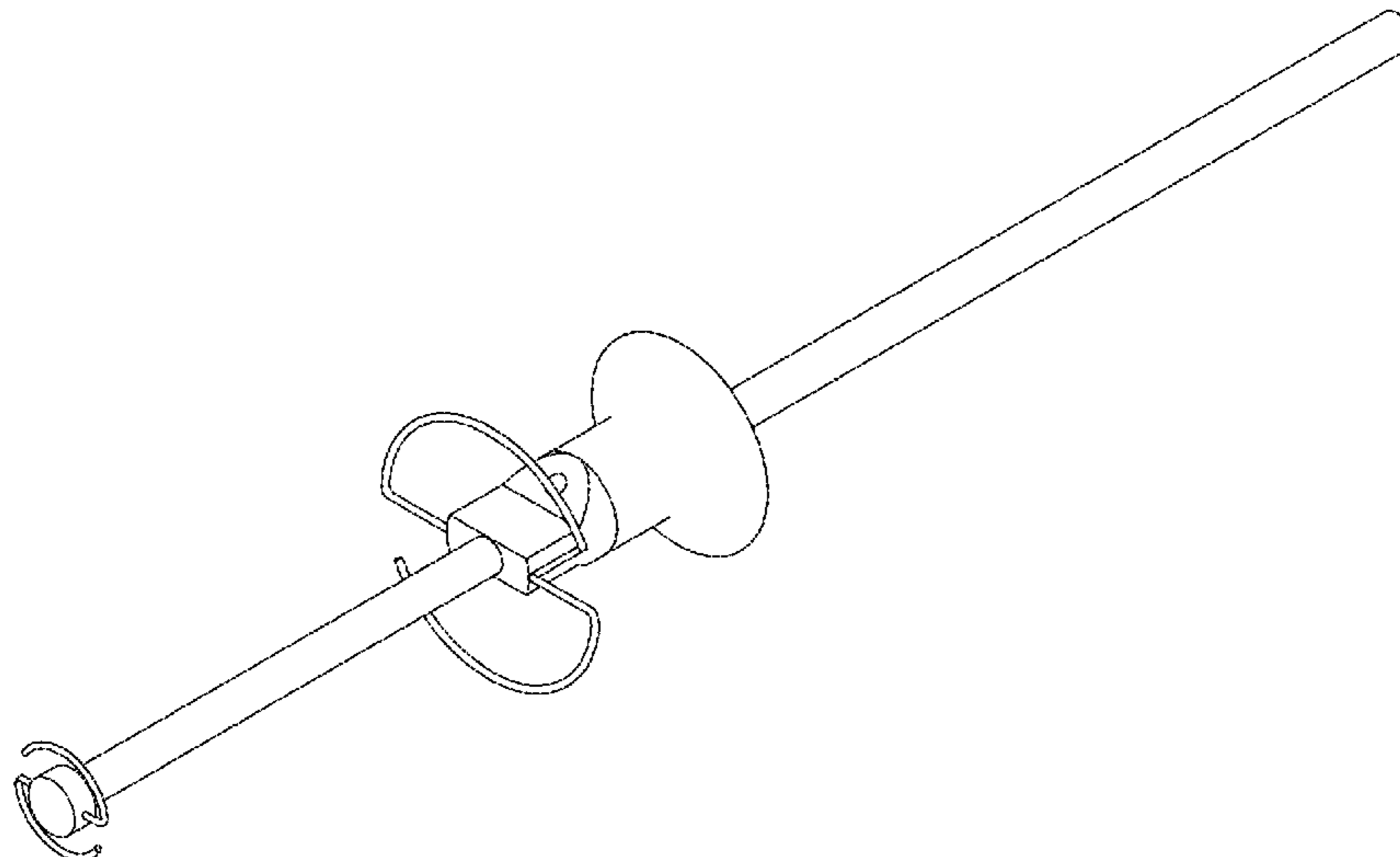
(57) **CLAIM**

The ornamental design for LED lamp wick, as shown and described.

DESCRIPTION

FIG. 1 is perspective view showing my design;
FIG. 2 is another perspective view showing my design
FIG. 3 is a front view showing my design;
FIG. 4 is a back view showing my design;
FIG. 5 is a left side view showing my design;
FIG. 6 is a right side view showing my design;
FIG. 7 is a top plan view showing my design; and,
FIG. 8 is a bottom plan view showing my design.
The broken line showing of an LED lamp wick is included for the purpose of illustrating portions of the article that form no part of the claimed design.

1 Claim, 8 Drawing Sheets



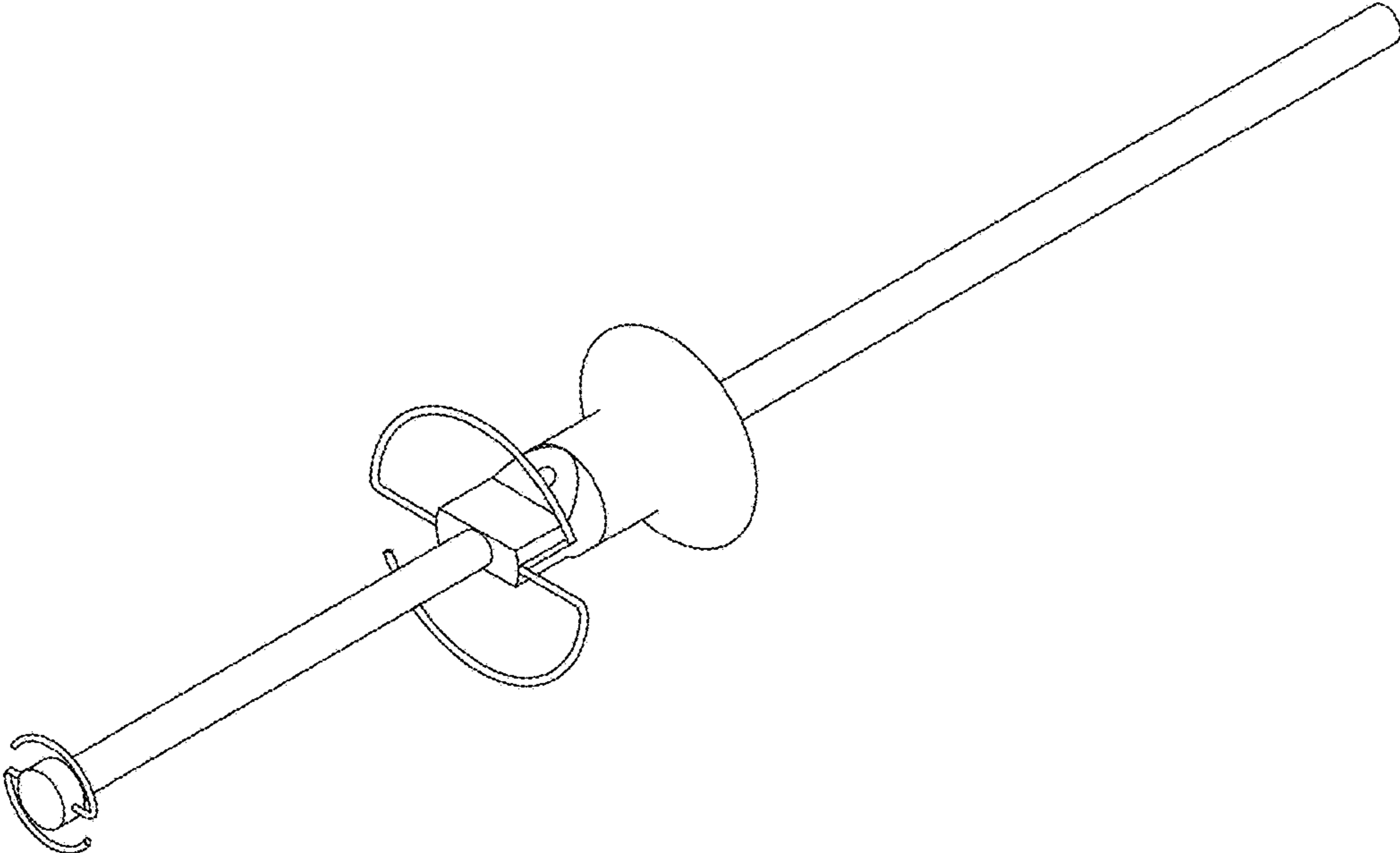


FIG . 1

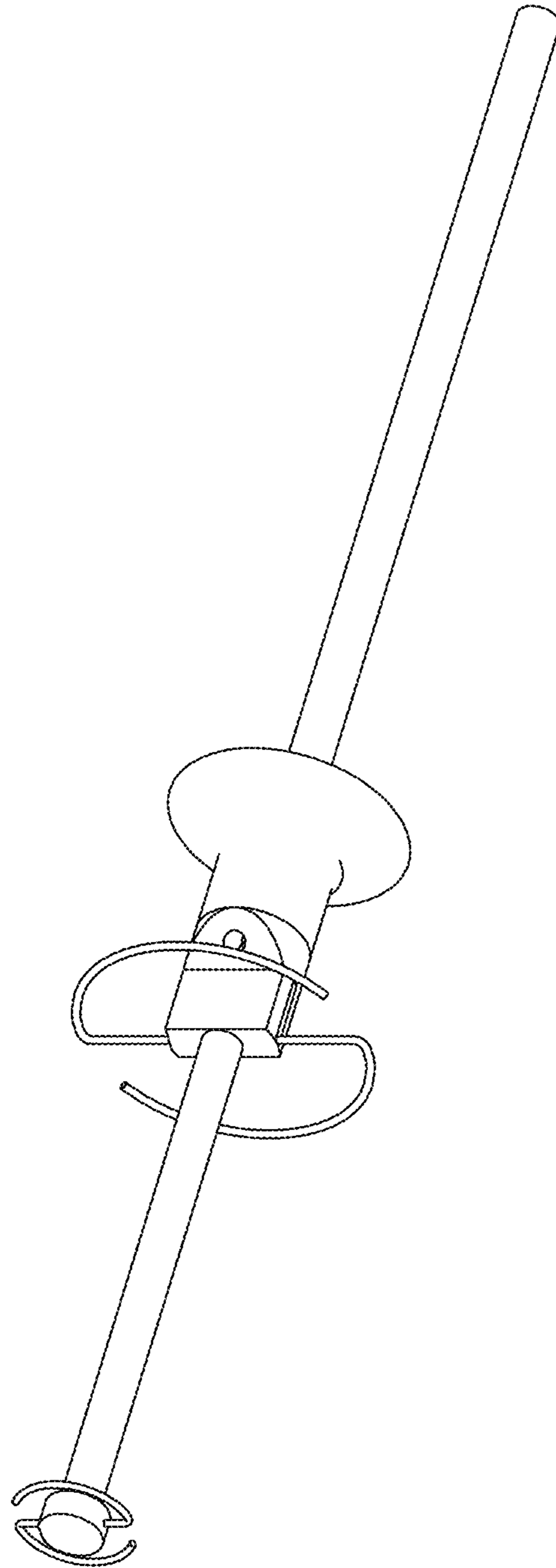


FIG . 2

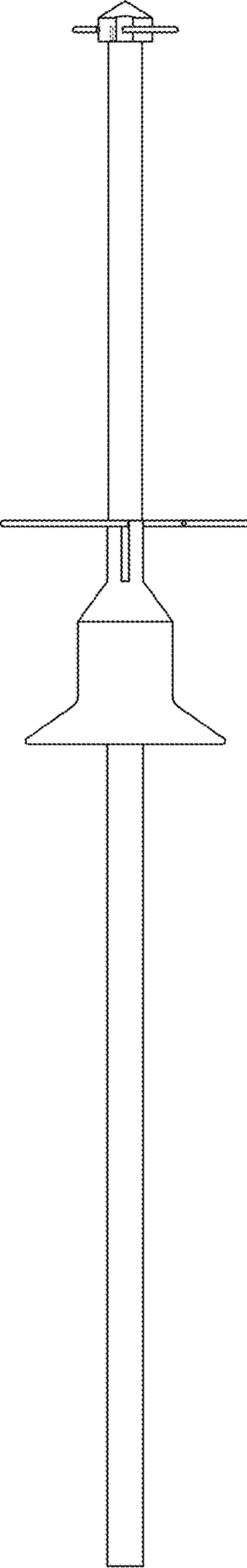


FIG . 3

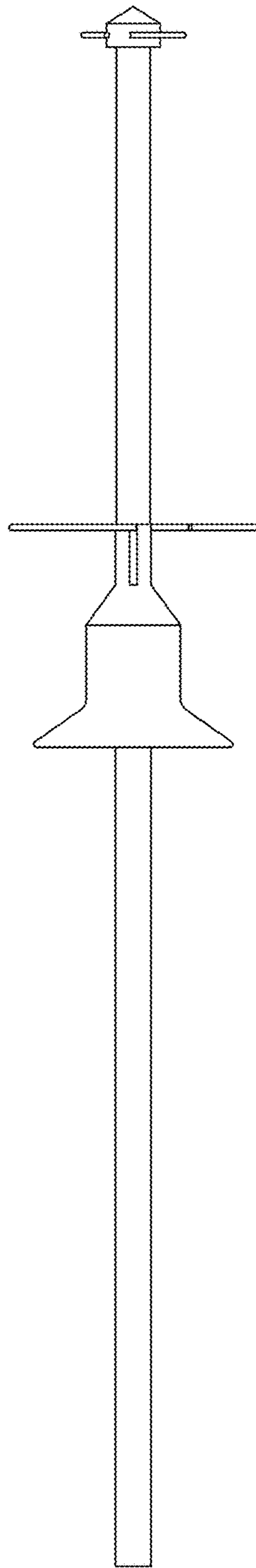


FIG . 4

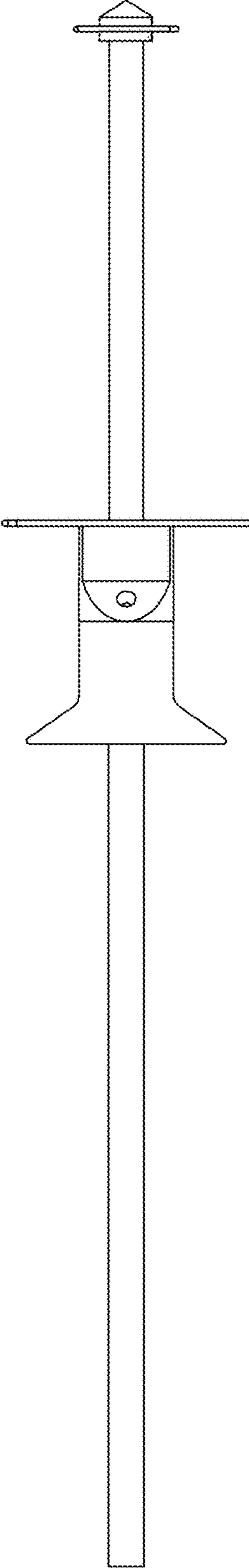


FIG . 5

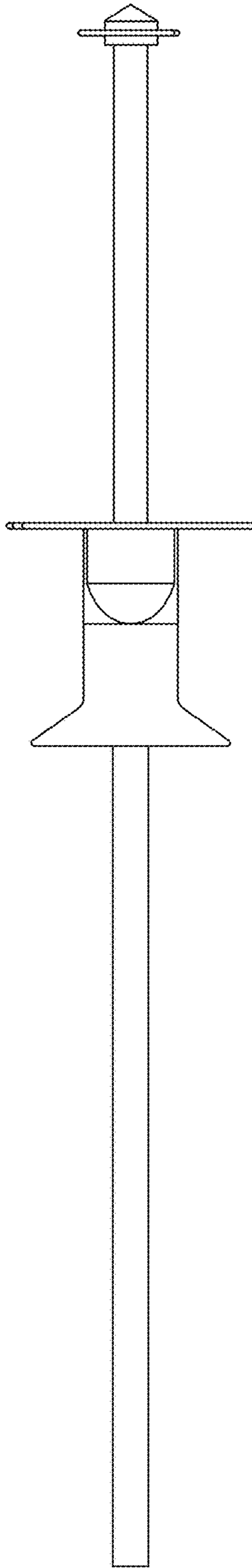


FIG . 6

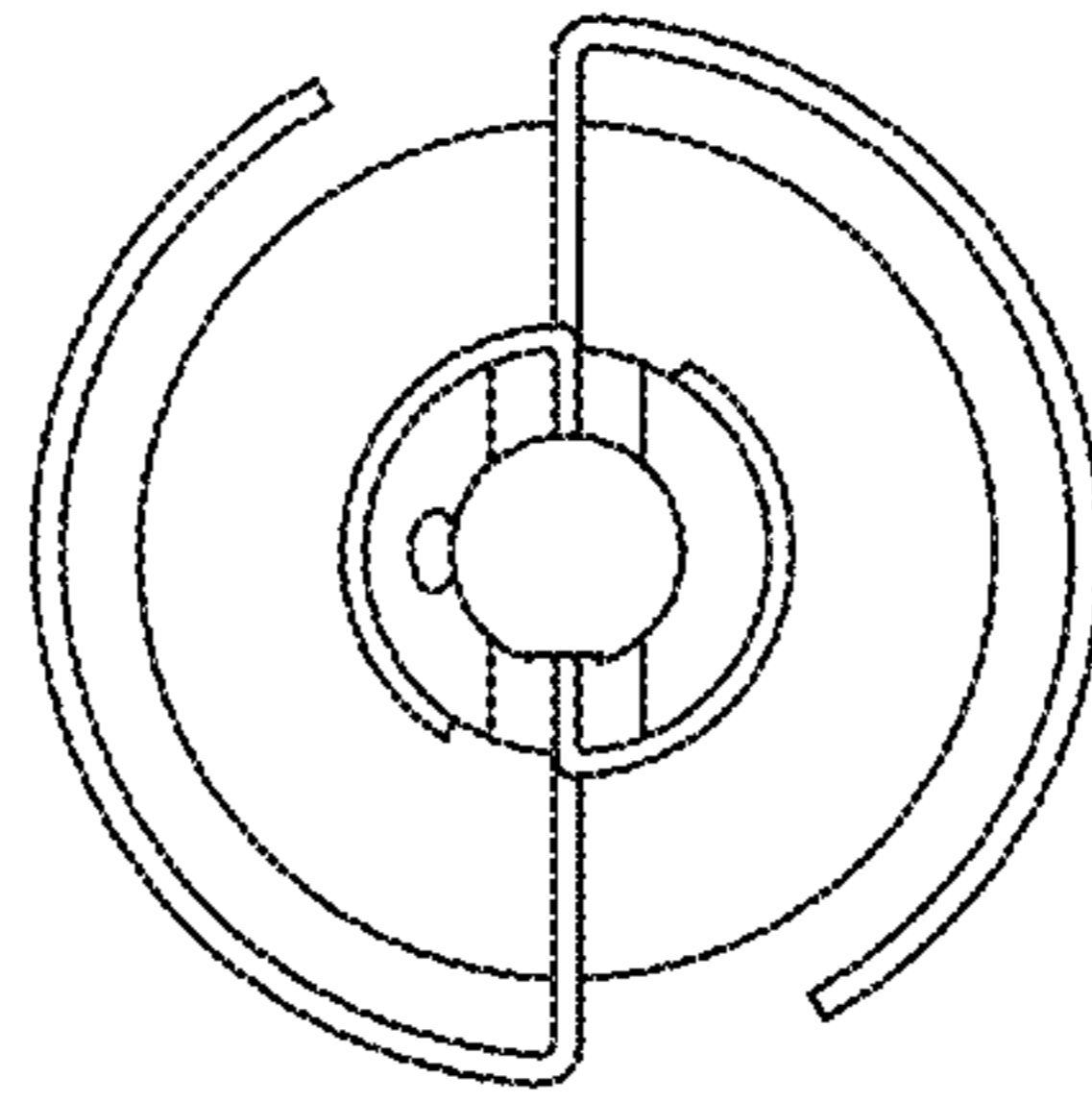


FIG . 7

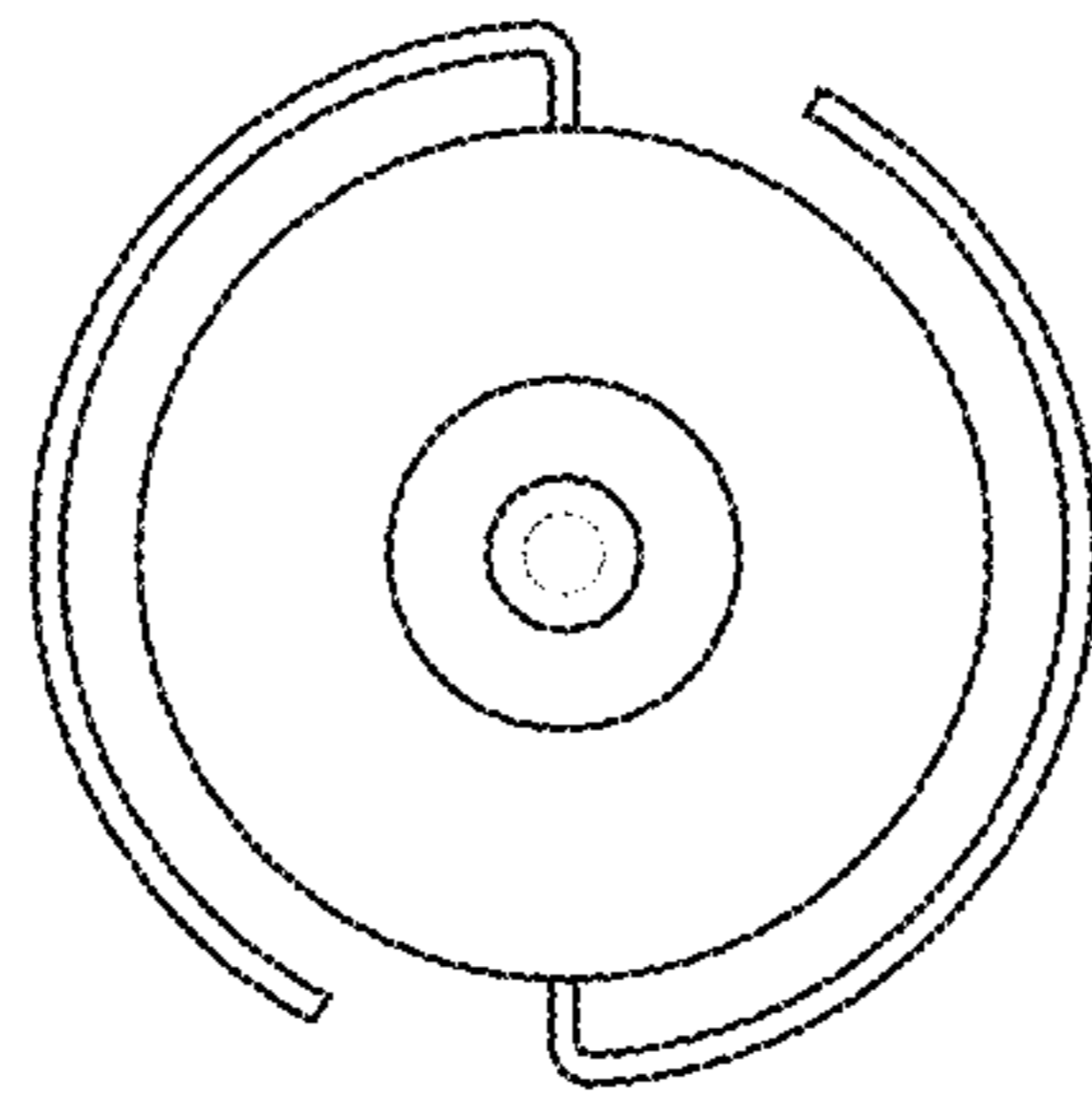


FIG . 8