



US00D804080S

(12) **United States Design Patent** (10) **Patent No.:** **US D804,080 S**
Hendifar et al. (45) **Date of Patent:** **** Nov. 28, 2017**

(54) **LIGHTING FIXTURE**

(71) Applicant: **Apparatus LLC**, New York, NY (US)

(72) Inventors: **Gabriel Hendifar**, Rhinebeck, NY (US); **Jeremy R. Anderson**, Rhinebeck, NY (US)

(73) Assignee: **Apparatus LLC**, New York, NY (US)

(**) Term: **15 Years**

(21) Appl. No.: **29/562,876**

(22) Filed: **Apr. 29, 2016**

(51) **LOC (10) Cl.** **26-03**

(52) **U.S. Cl.**
USPC **D26/86**; D26/67

(58) **Field of Classification Search**
USPC D26/67, 69, 70, 71, 80, 85, 86, 87, 102, D26/118

CPC F21S 6/005; F21S 8/03; F21S 8/031; F21S 8/033; F21S 8/036; F21S 8/04; F21S 8/043; F21S 8/046; F21S 8/06; F21S 8/061; F21S 8/063; F21S 8/065; F21S 8/066; F21S 8/068

See application file for complete search history.

(56) **References Cited**

U.S. PATENT DOCUMENTS

D110,165 S *	6/1938	Arenberg	D26/76
D117,911 S *	12/1939	Sacksteder, Jr.	D26/128
D129,921 S *	10/1941	Irmischer	362/225
D155,123 S *	9/1949	Boynton	D26/80
2,543,713 A *	2/1951	Yeager	F21S 8/04 362/216
D180,251 S *	5/1957	Stiffel	D26/102
D180,535 S *	6/1957	Stevens	D26/24
2,878,372 A *	3/1959	Fry	F21S 8/00 362/216
D189,857 S *	3/1961	Lasker	D26/85
D203,350 S *	12/1965	Bobrick	D26/69
D203,351 S *	12/1965	Bobrick	D26/69

D226,533 S *	3/1973	Porter	D26/102
D240,653 S *	7/1976	Eftekhar	D26/80
D294,179 S *	2/1988	Lasker	D26/65
D349,357 S *	8/1994	Herst	D26/76

(Continued)

OTHER PUBLICATIONS

Ormonde Furniture & Interiors; Facebook Posting of Feb. 4, 2016; Modèle 'Gélule'—Collection Joseph Dirand; Design; Joseph Dirand pour Ozone.

Primary Examiner — Clare E Heflin

(74) *Attorney, Agent, or Firm* — Gottlieb, Rackman & Reisman, P.C.

(57) **CLAIM**

The ornamental design for a lighting fixture, as shown and described.

DESCRIPTION

FIG. 1 is a front perspective view of the lighting fixture showing our new design;

FIG. 2 is a top plan view thereof, with the bottom plan view being the same;

FIG. 3 is a front elevational view thereof, with the rear elevational view being the same;

FIG. 4 is left side elevational view thereof, with the right side elevational view being the same;

FIG. 5 is a front perspective view of the lighting fixture showing a second embodiment of our new design;

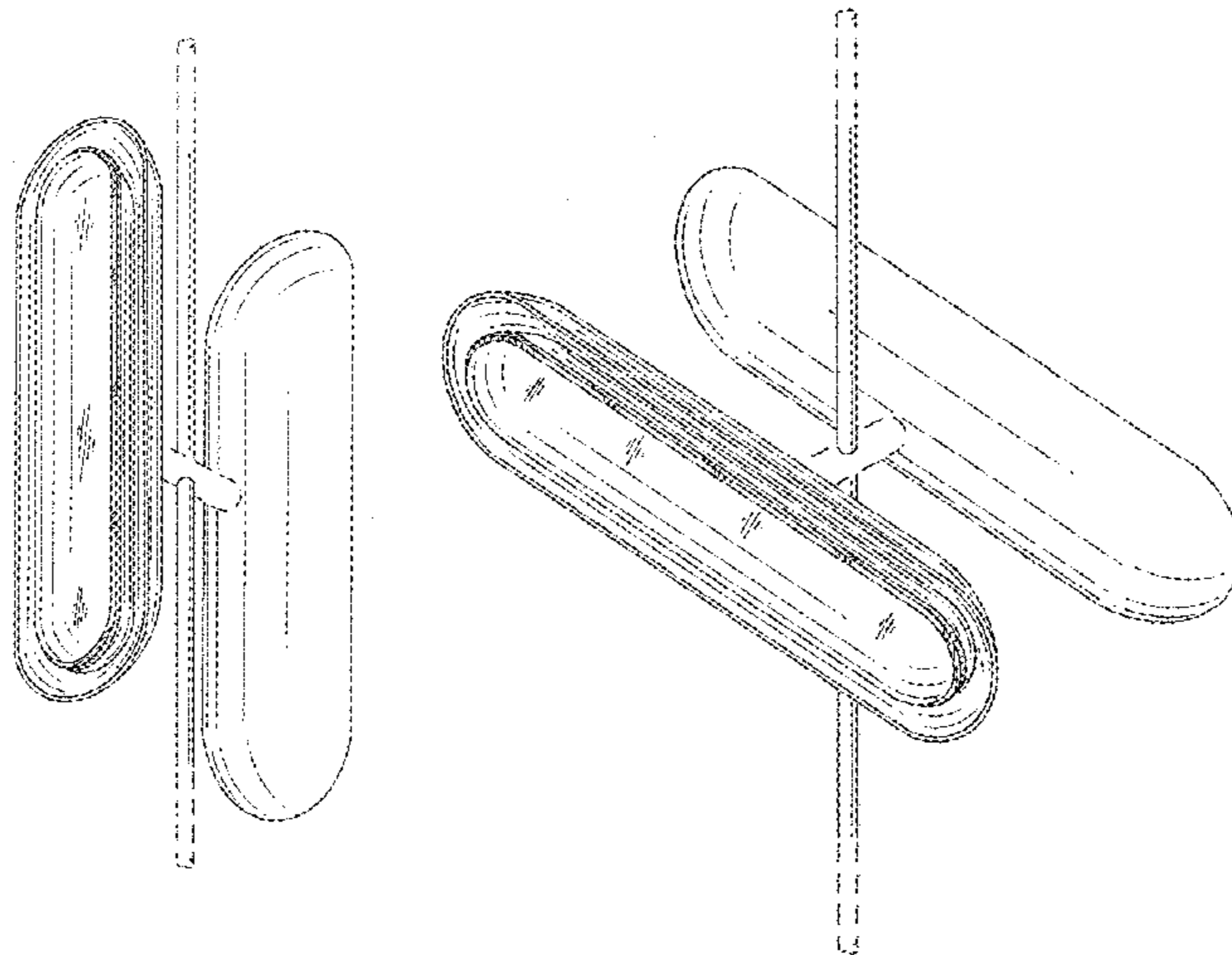
FIG. 6 is a top plan view thereof, with the bottom plan view being the same;

FIG. 7 is a front elevational view thereof, with the rear elevational view being the same; and,

FIG. 8 is left side elevational view thereof, with the right side elevational view being the same.

The broken lines in FIG. 1-FIG. 8 are for the purposes of illustrating environment only and form no part of the claimed design.

1 Claim, 4 Drawing Sheets



(56)

References Cited

U.S. PATENT DOCUMENTS

D374,735	S *	10/1996	Huang	D26/102
D377,993	S *	2/1997	Herst	D26/107
D380,564	S *	7/1997	Yuen	D26/26
D411,030	S *	6/1999	Chen	D26/87
D498,018	S *	11/2004	Sieczkowski	D26/118
D565,774	S *	4/2008	Martineau	D26/72
D619,291	S *	7/2010	Thevenot	D26/75
D647,241	S *	10/2011	Takahashi	D26/72
D674,951	S *	1/2013	Sonneman	D26/102
D742,054	S *	10/2015	Fisher	D26/85
D784,595	S *	4/2017	Amato	D26/85
2014/0126193	A1 *	5/2014	Dixon	F21S 8/063
					362/217.02
2017/0198872	A1 *	7/2017	Sonneman	F21S 8/065
2017/0198894	A1 *	7/2017	Sonneman	F21V 21/35

* cited by examiner

FIG. 1

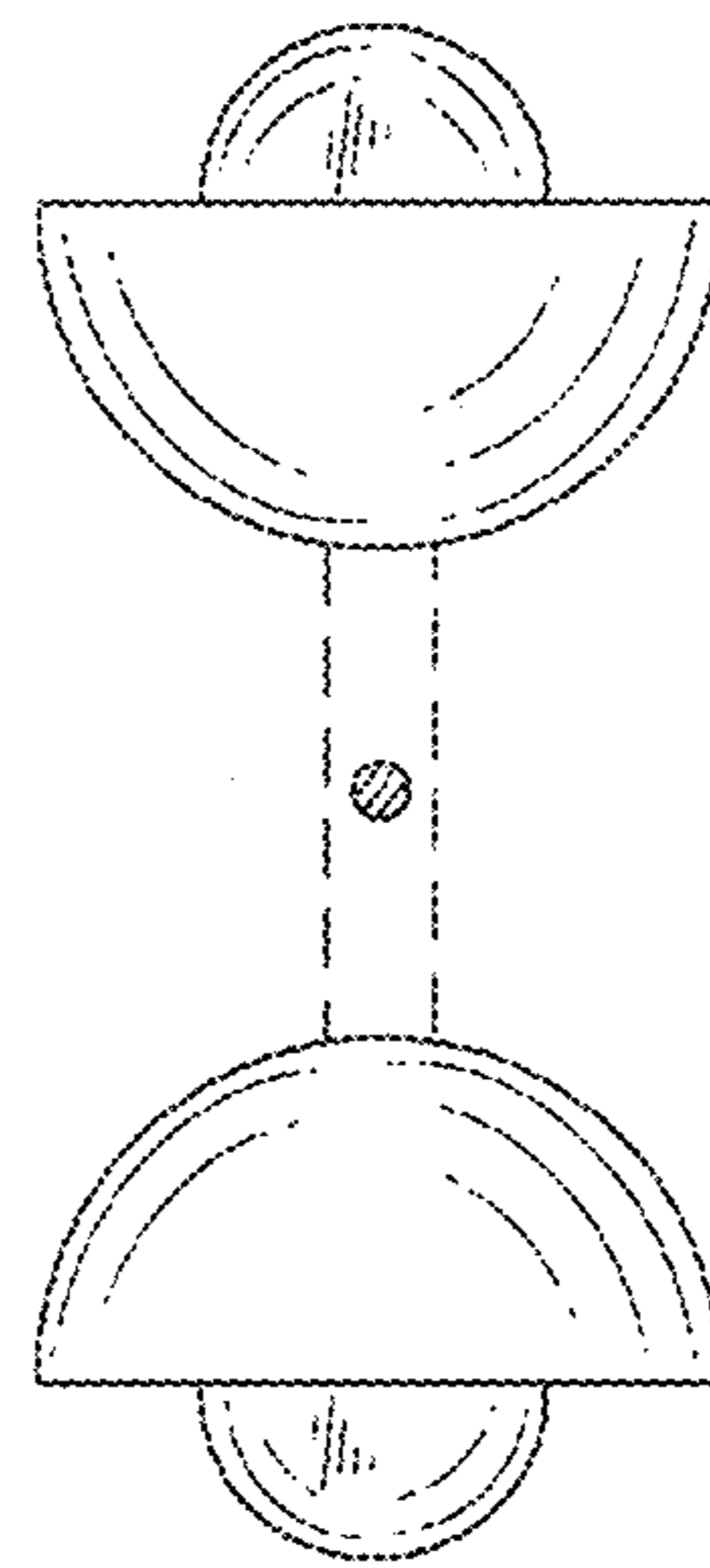
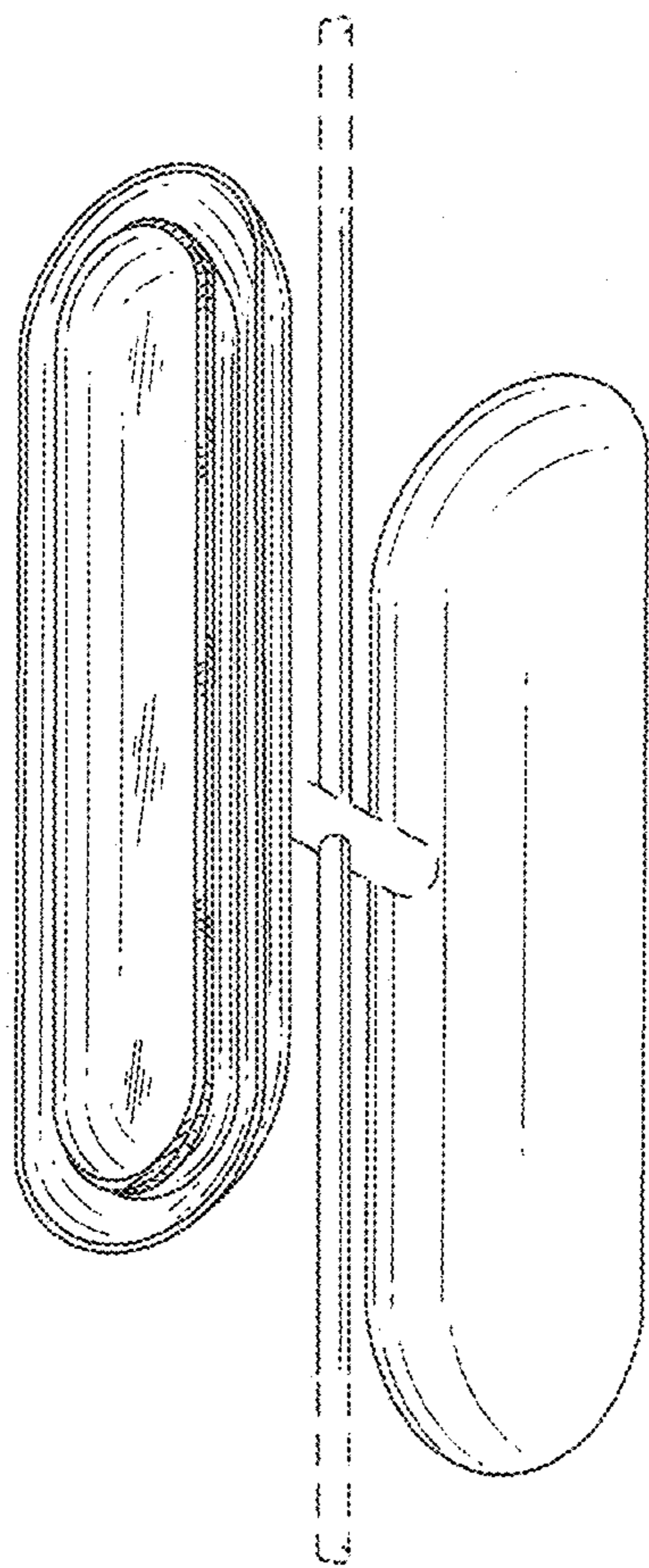


FIG. 2

FIG. 3

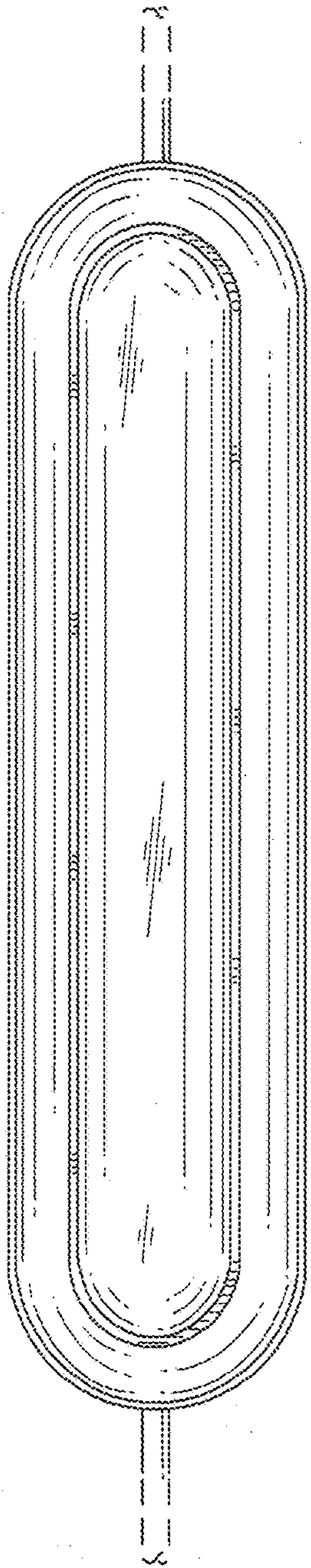
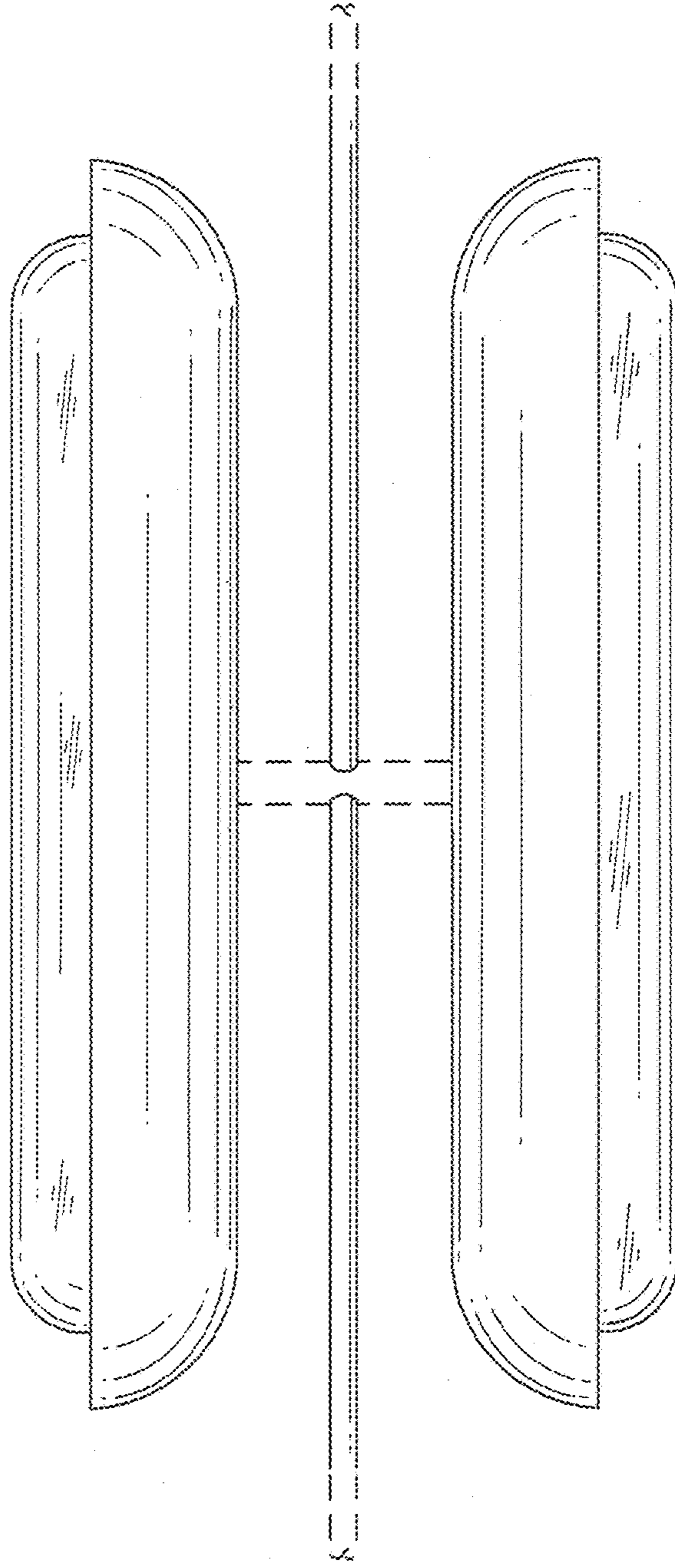
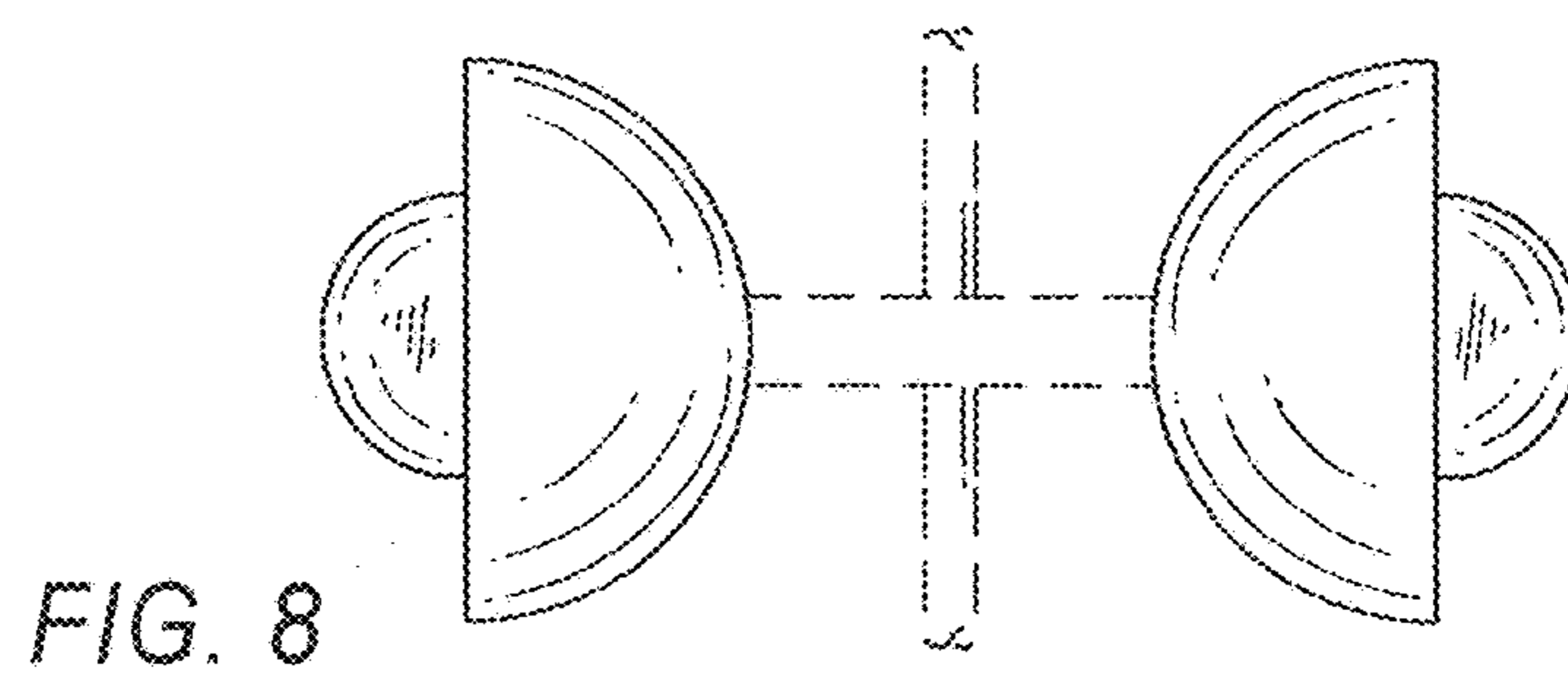
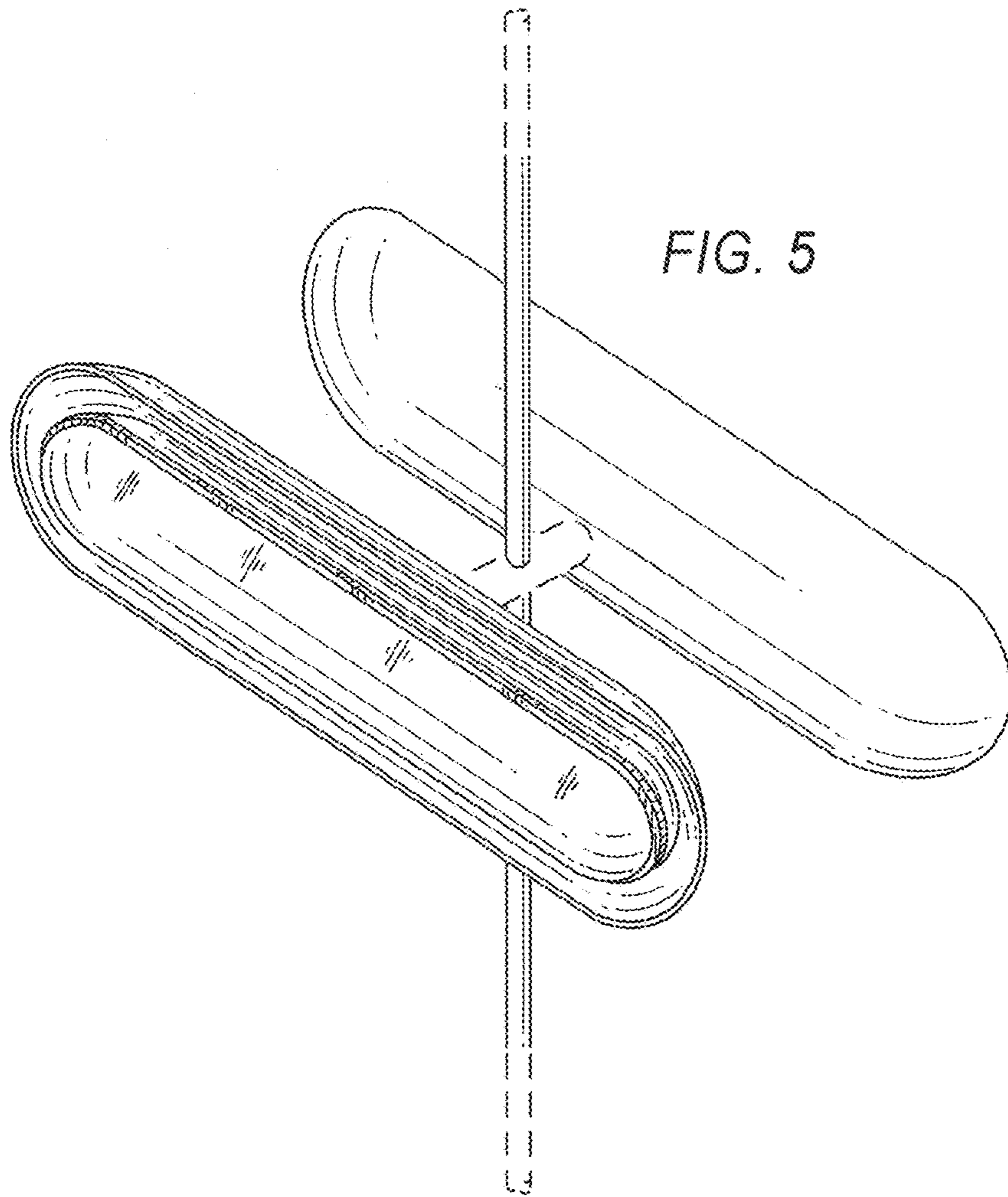


FIG. 4





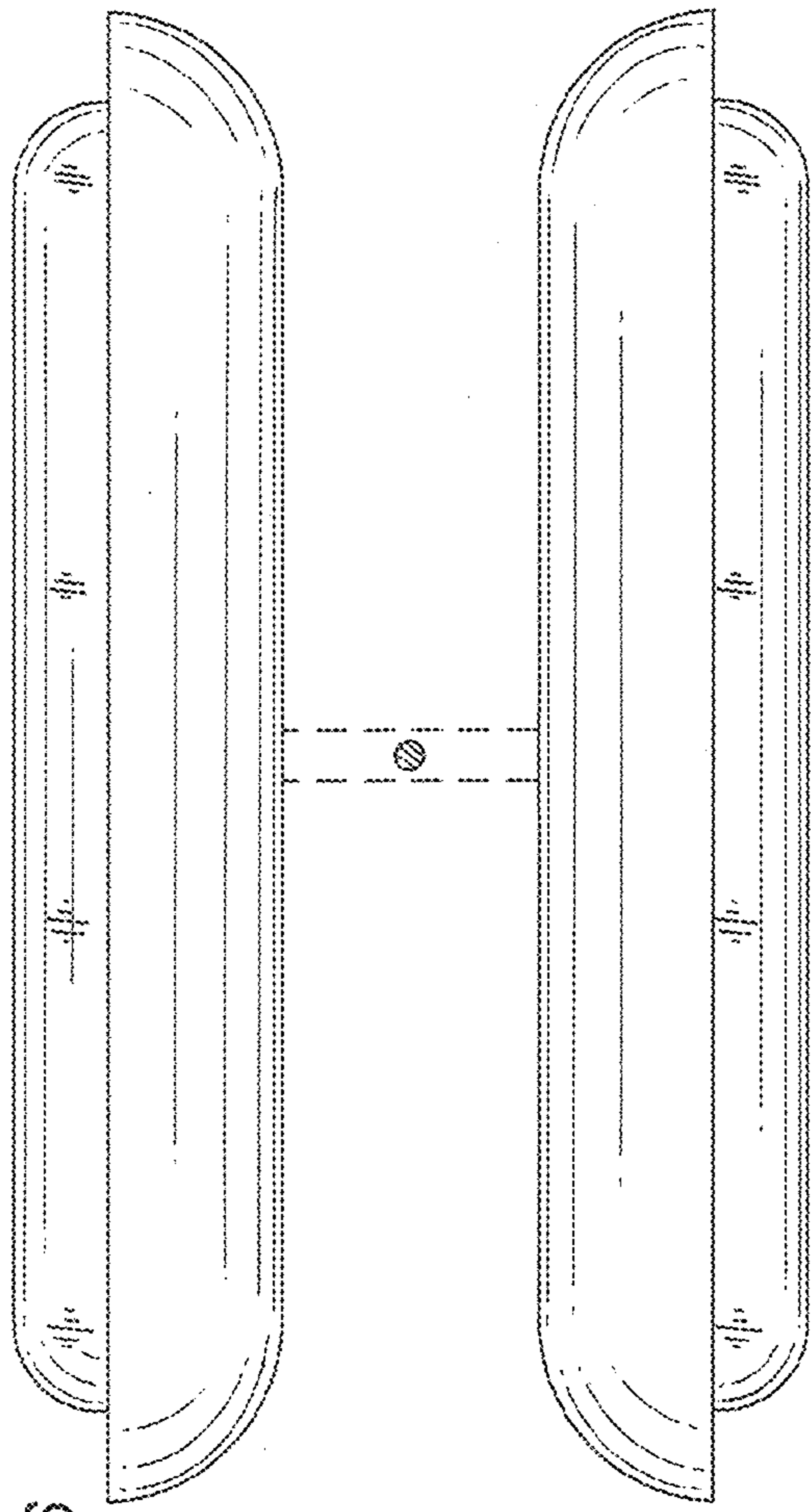


FIG. 6

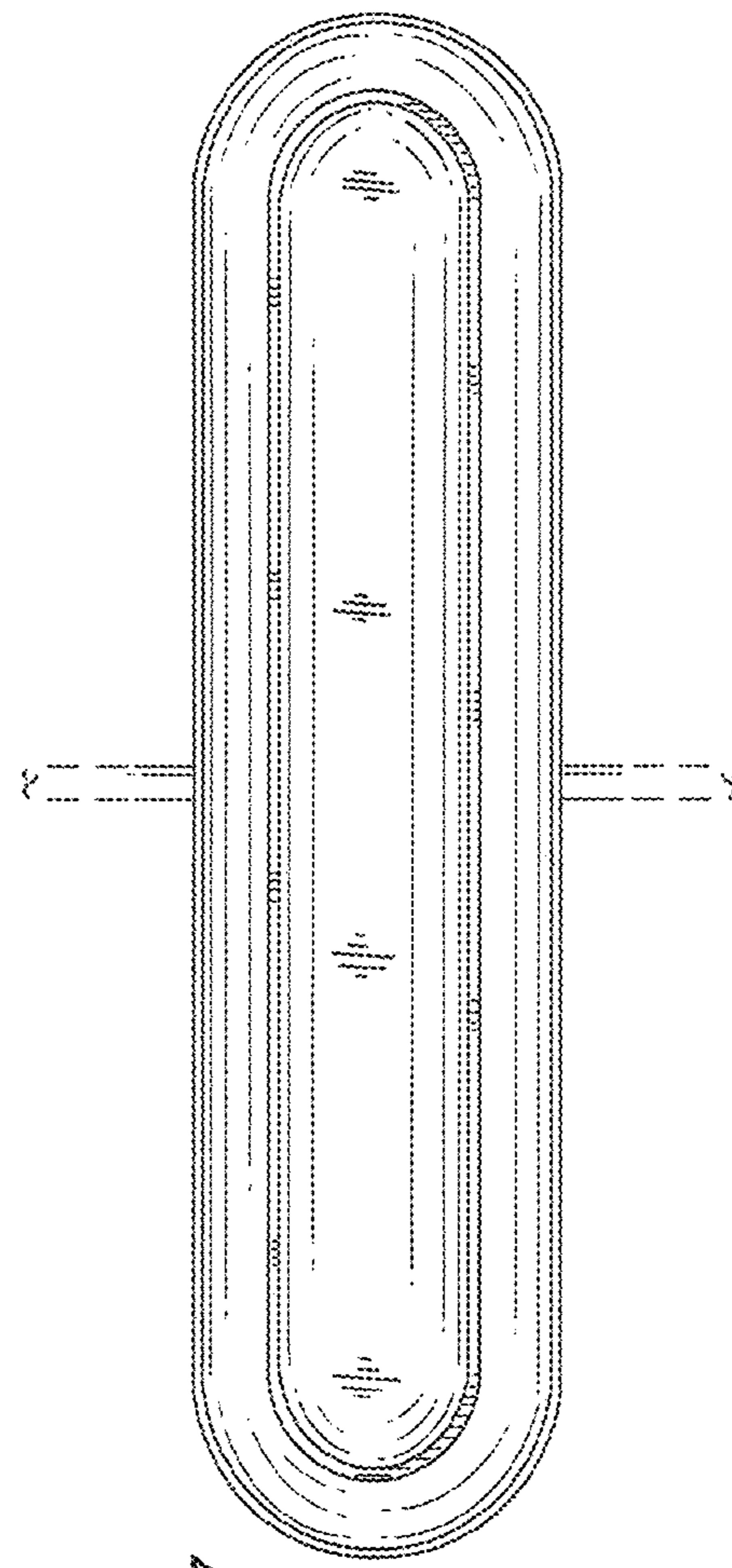


FIG. 7