



US00D804076S

(12) **United States Design Patent**
Tong

(10) **Patent No.:** **US D804,076 S**

(45) **Date of Patent:** **** Nov. 28, 2017**

(54) **LED LIGHT**

(71) Applicant: **NINGBO ZHONGXIN ELECTRONIC TECHNOLOGY CO., LTD.**, Ningbo (CN)

(72) Inventor: **Mingkui Tong**, Shaoxing (CN)

(**) Term: **15 Years**

(21) Appl. No.: **29/587,897**

(22) Filed: **Dec. 16, 2016**

(30) **Foreign Application Priority Data**

Oct. 21, 2016 (CN) 2016 3 0514683

(51) **LOC (10) Cl.** **26-05**

(52) **U.S. Cl.**
USPC **D26/74**

(58) **Field of Classification Search**
USPC D26/74, 72, 75, 76, 77, 78, 85, 88, 89,
D26/118, 138, 141; 362/364, 365, 373,
362/145, 146, 147, 148, 150, 153, 153.1,
362/294, 296.01, 296.07, 296.08
See application file for complete search history.

(56) **References Cited**

U.S. PATENT DOCUMENTS

D322,135 S * 12/1991 Wierzbicki D26/24
D551,379 S * 9/2007 Maxik D26/74

D606,228 S * 12/2009 Ward D26/74
D624,686 S * 9/2010 Toney, Jr. D26/72
D661,008 S * 5/2012 Yuan D26/74
D673,712 S * 1/2013 Patel D26/74
D682,458 S * 5/2013 Calvin D26/74
D698,974 S * 2/2014 Aniserowicz D26/74
D698,980 S * 2/2014 Yu D26/89
D775,402 S * 12/2016 Sibitzky D26/118
D783,884 S * 4/2017 Li D26/89
D784,599 S * 4/2017 Sibitzky D26/118
D785,225 S * 4/2017 Gan D26/72

* cited by examiner

Primary Examiner — Angela J Lee

(74) *Attorney, Agent, or Firm* — Wayne & Ken, LLC;
Tony Hom

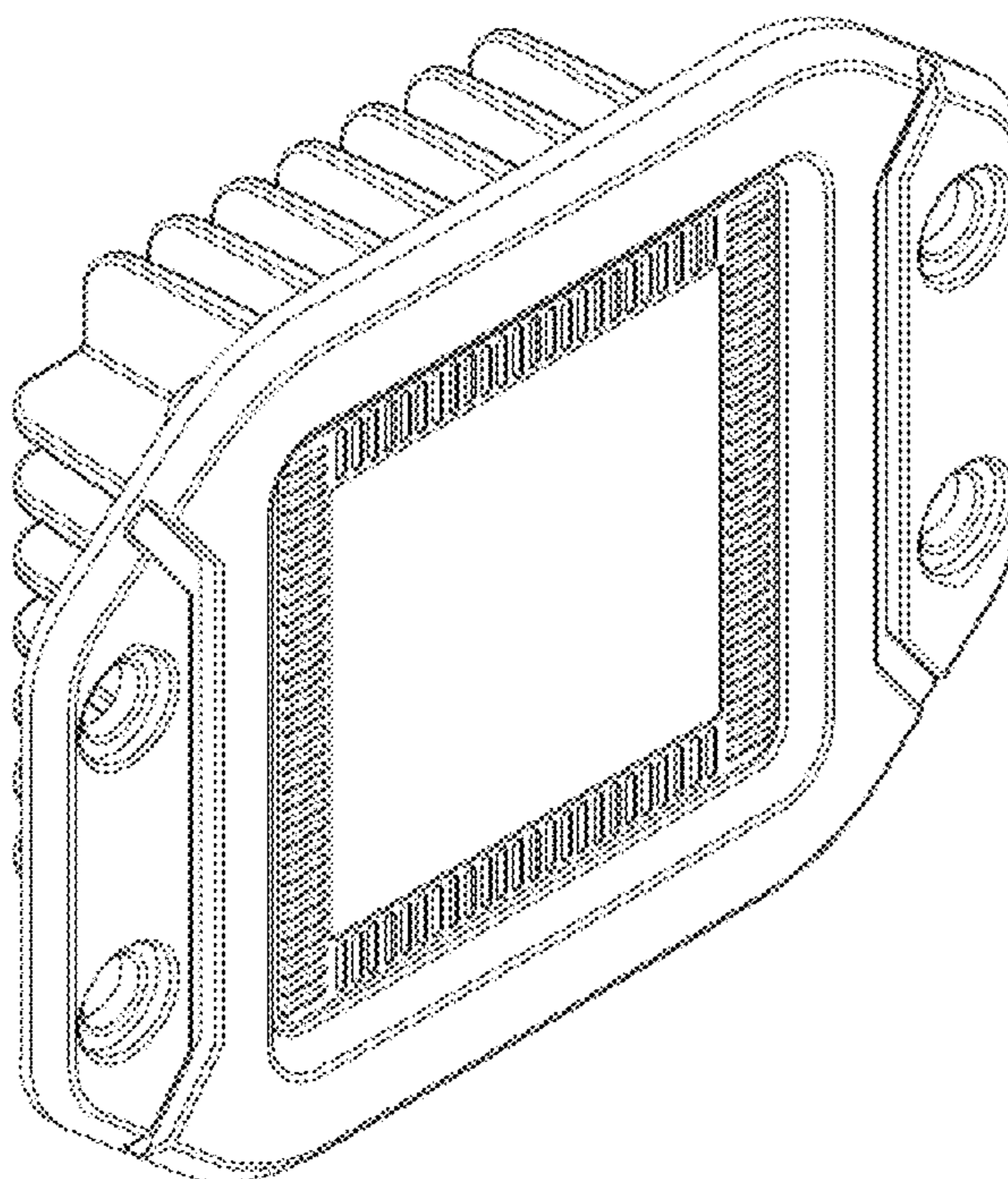
(57) **CLAIM**

A new, original, ornamental design for an LED light, as shown.

DESCRIPTION

FIG. 1 is an axonometric view of the LED light;
FIG. 2 is a second axonometric view thereof;
FIG. 3 is a front view thereof;
FIG. 4 is a back view thereof;
FIG. 5 is a top view thereof;
FIG. 6 is a bottom view thereof;
FIG. 7 is a left view thereof; and,
FIG. 8 is a right view thereof.

1 Claim, 8 Drawing Sheets



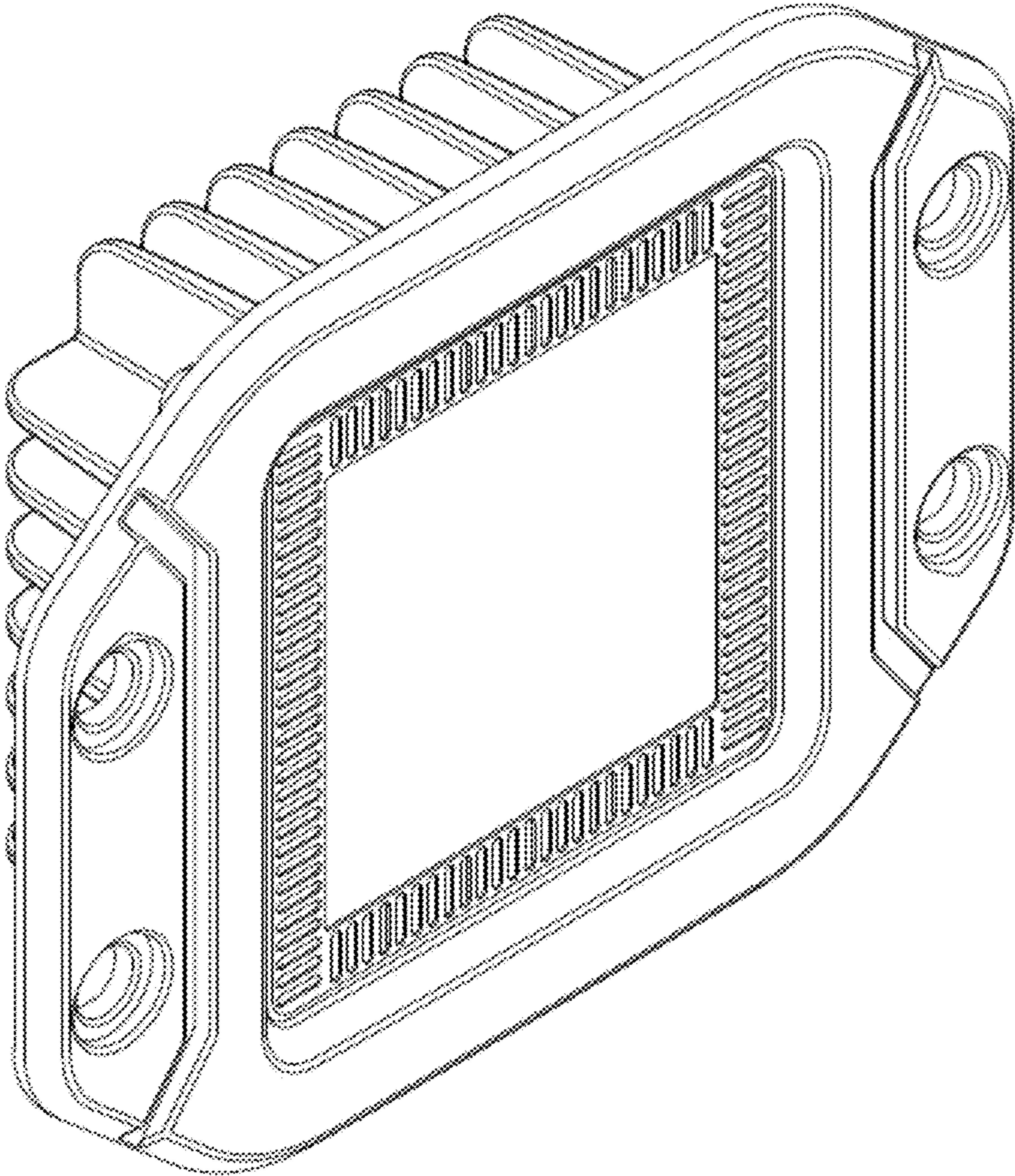


FIG. 1

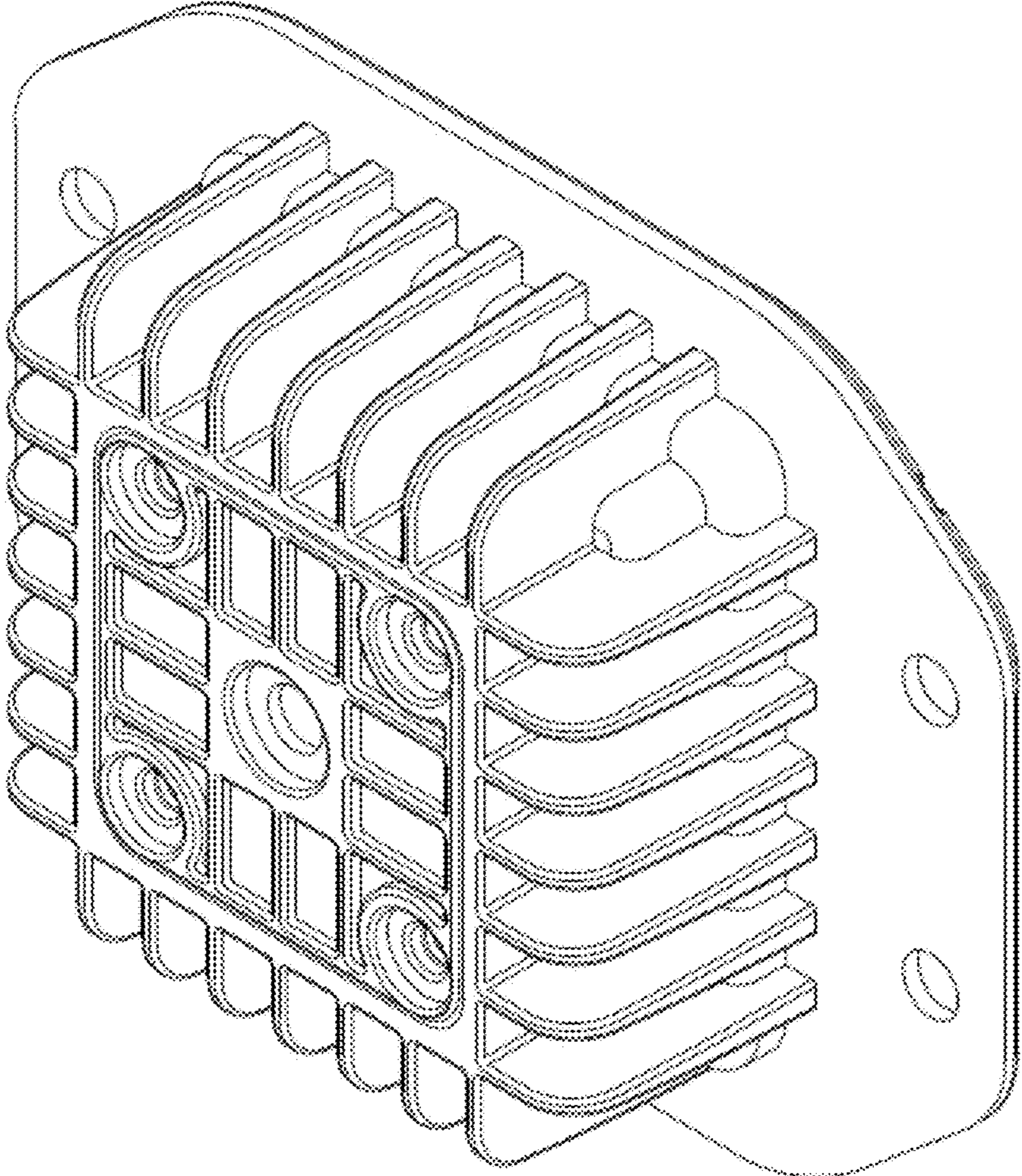


FIG. 2

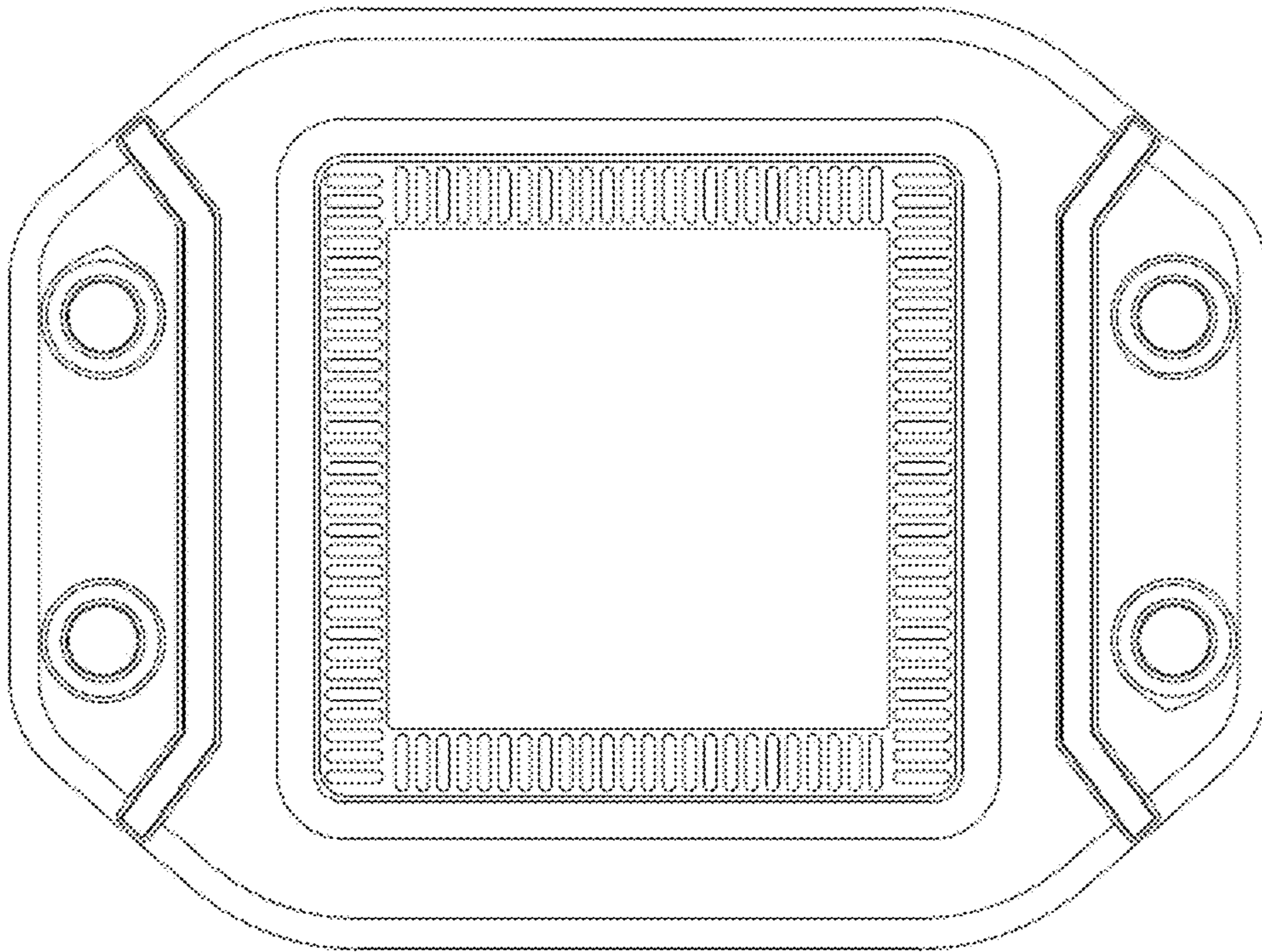


FIG. 3

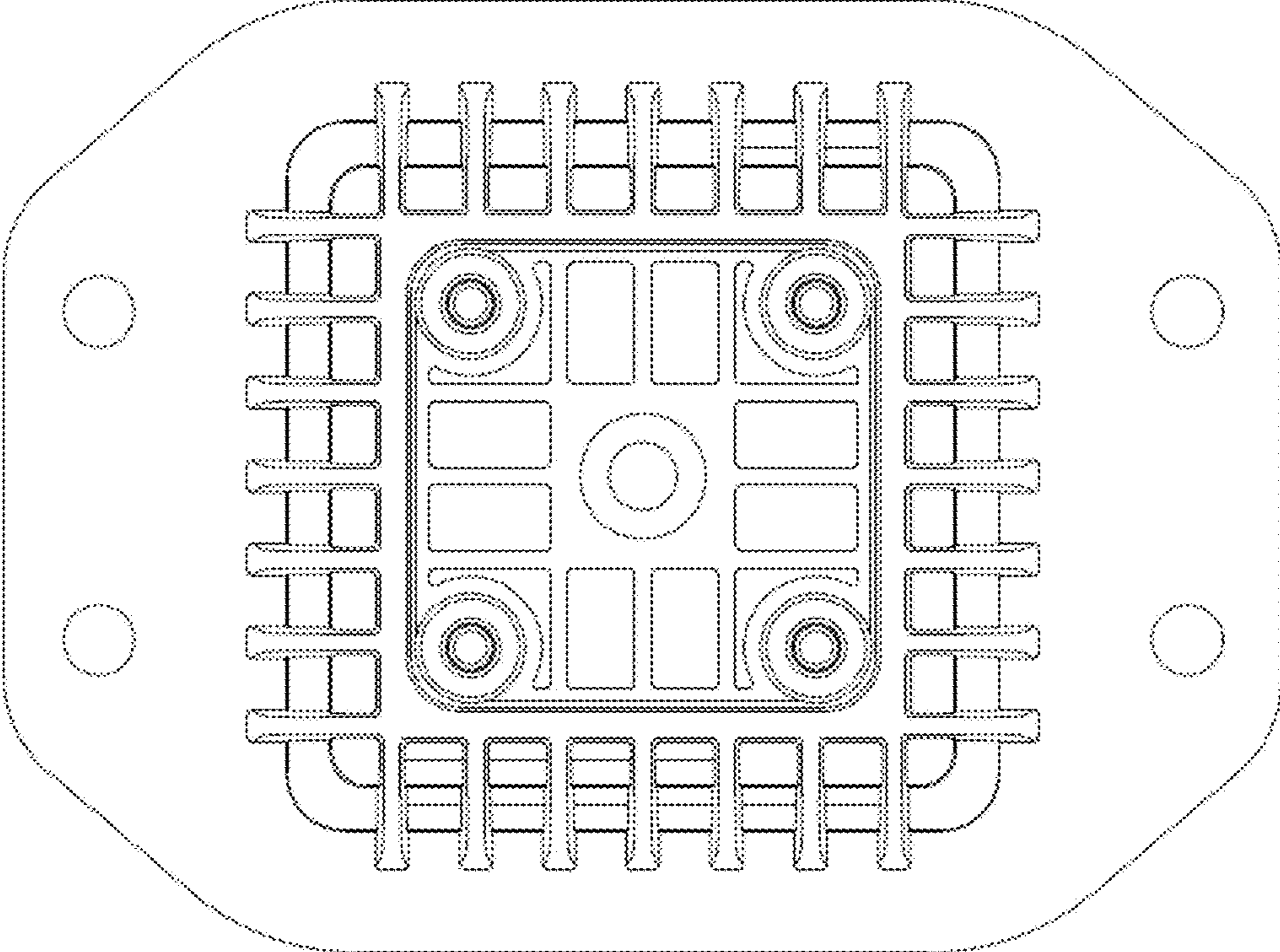


FIG. 4

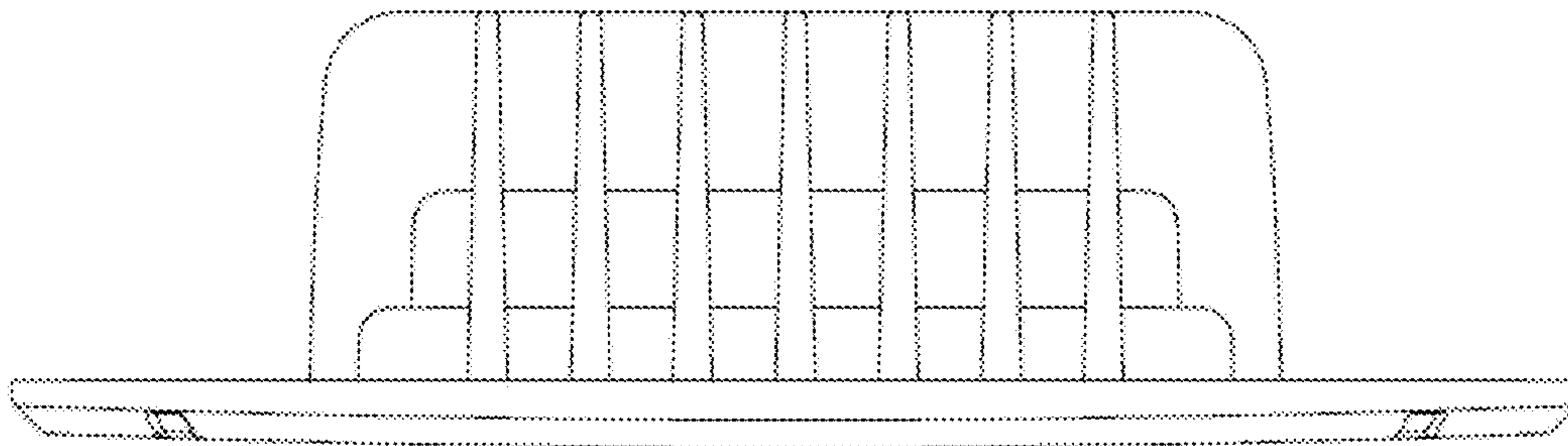


FIG. 5

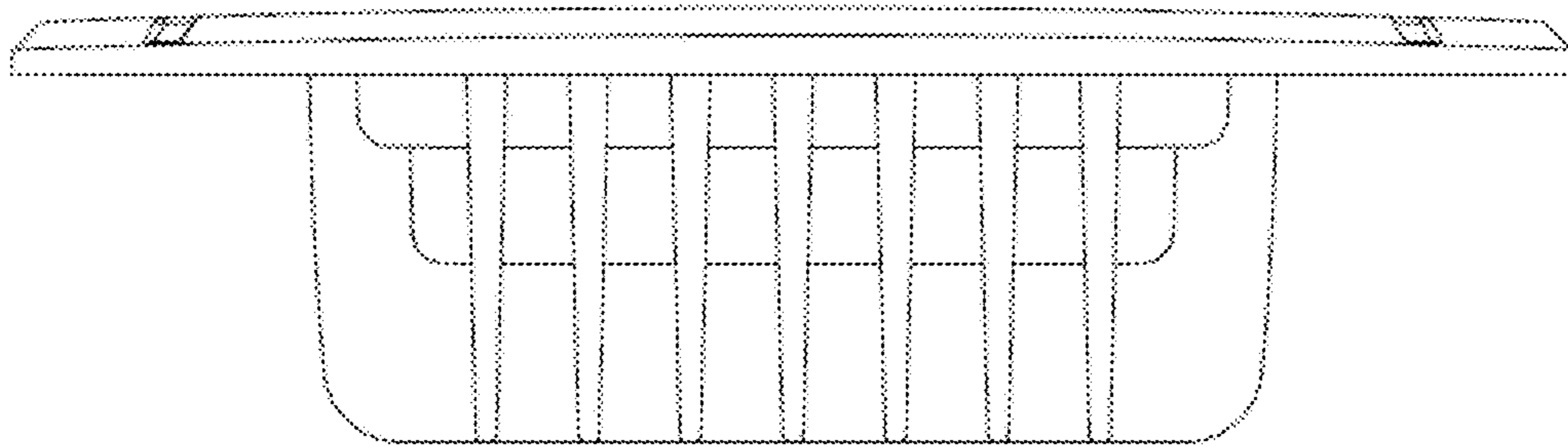


FIG. 6

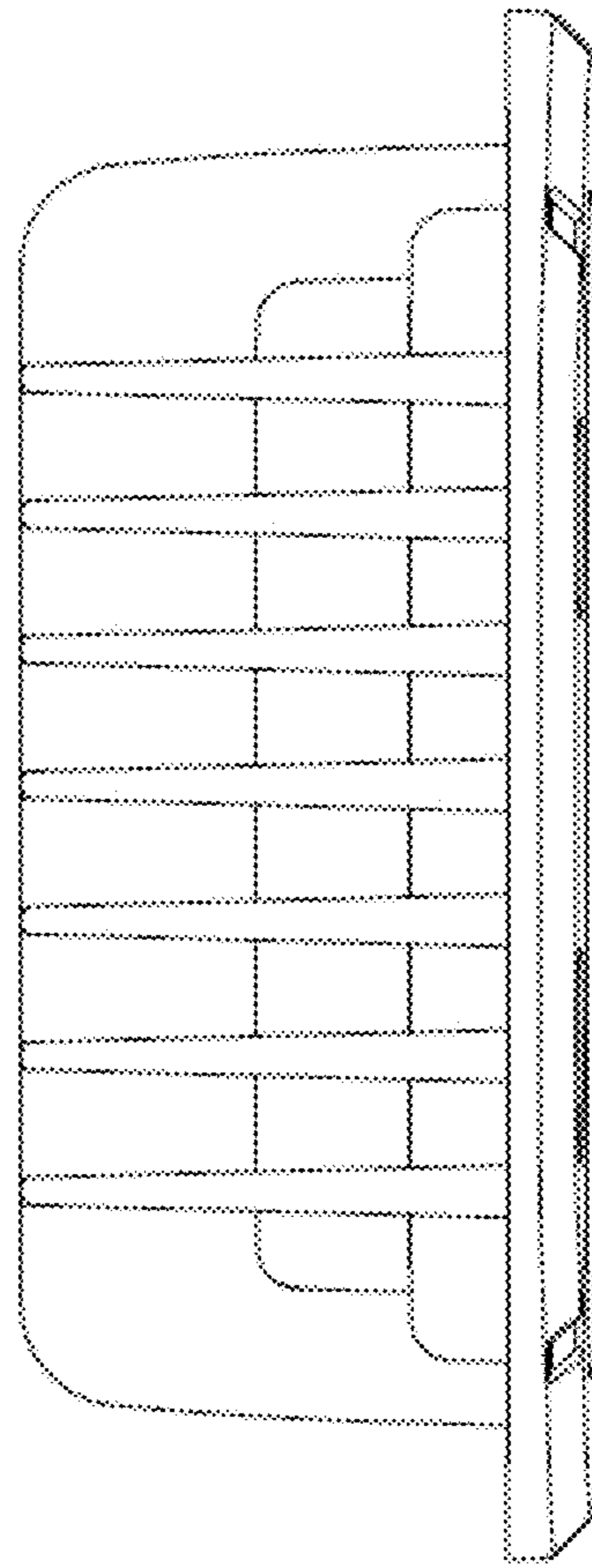


FIG. 7

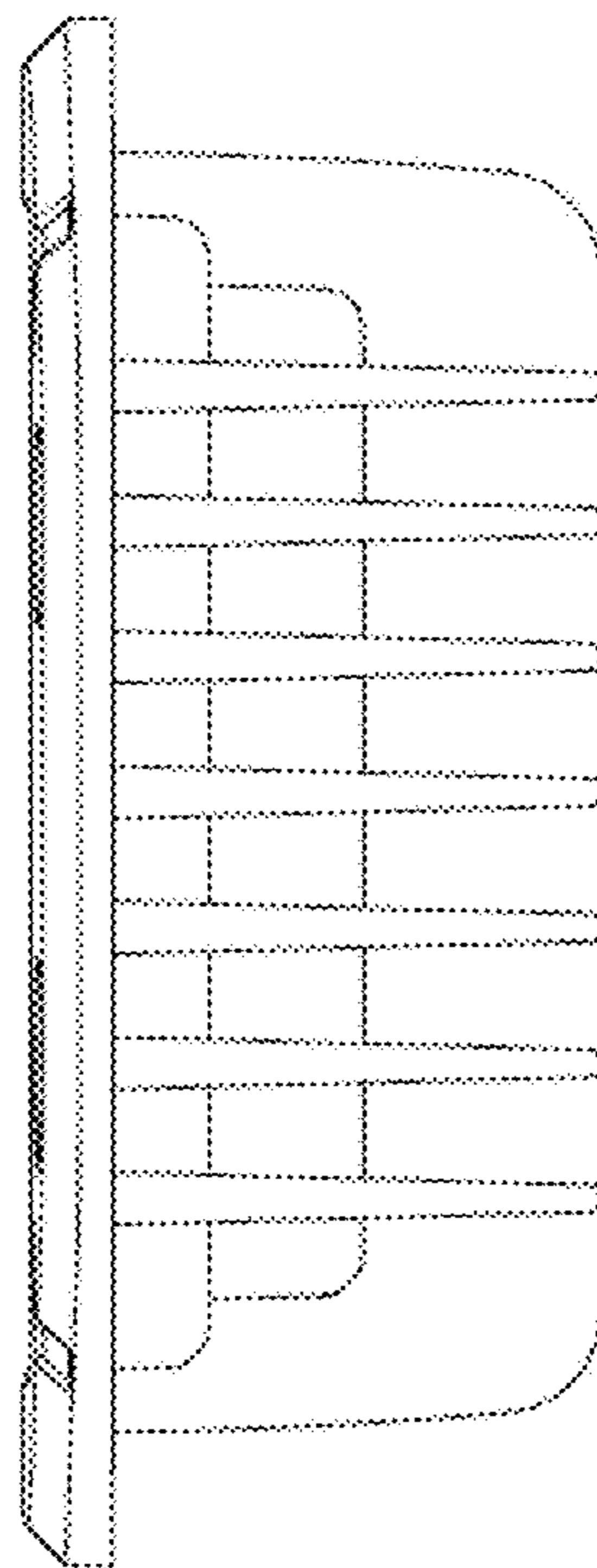


FIG. 8