



US00D804075S

(12) **United States Design Patent**
Fang

(10) **Patent No.:** **US D804,075 S**

(45) **Date of Patent:** **** Nov. 28, 2017**

(54) **CAMERA LIGHT**

(71) Applicant: **Ningbo Utec Electric Co. Ltd.**, Yuyao,
Zhejiang (CN)

(72) Inventor: **Yi Fang**, Zhejiang (CN)

(73) Assignee: **Ningbo Utec Electric Co., Ltd.** (CN)

(**) Term: **15 Years**

(21) Appl. No.: **29/581,377**

(22) Filed: **Oct. 18, 2016**

(51) **LOC (10) Cl.** **26-03**

(52) **U.S. Cl.**
USPC **D26/65; D16/203**

(58) **Field of Classification Search**
USPC D26/24, 51, 61, 63, 65, 72, 80, 118, 120;
D16/203

CPC F21S 8/04; F21S 8/00; F21V 21/00; F21V
17/02; F21V 14/02; F21V 21/30; F21V
21/14; F21V 21/26; F21W 2131/10;
G03B 13/196; H04N 5/2251; H04N
5/2253; H04N 5/2254

See application file for complete search history.

(56) **References Cited**

U.S. PATENT DOCUMENTS

5,649,761 A * 7/1997 Sandell F21V 17/02
362/276
D637,639 S * 5/2011 Park D16/203

D708,388 S * 7/2014 Lee D26/120
D723,727 S * 3/2015 Moeller D26/63
D753,206 S * 4/2016 Ravat D16/203
D757,347 S * 5/2016 Chen D26/120
D759,291 S * 6/2016 Chen D26/120
D761,474 S * 7/2016 Chen D26/65
D764,700 S * 8/2016 Chen D26/118
D765,901 S * 9/2016 Chen D26/63
D784,589 S * 4/2017 Chen D26/65

* cited by examiner

Primary Examiner — Brian N Vinson

(74) *Attorney, Agent, or Firm* — Raymond Sun

(57) **CLAIM**

The ornamental design for a camera light, as shown and described.

DESCRIPTION

FIG. 1 is a front perspective view of a camera light showing my new design.

FIG. 2 is a top view thereof.

FIG. 3 is a bottom view thereof.

FIG. 4 is the front view thereof.

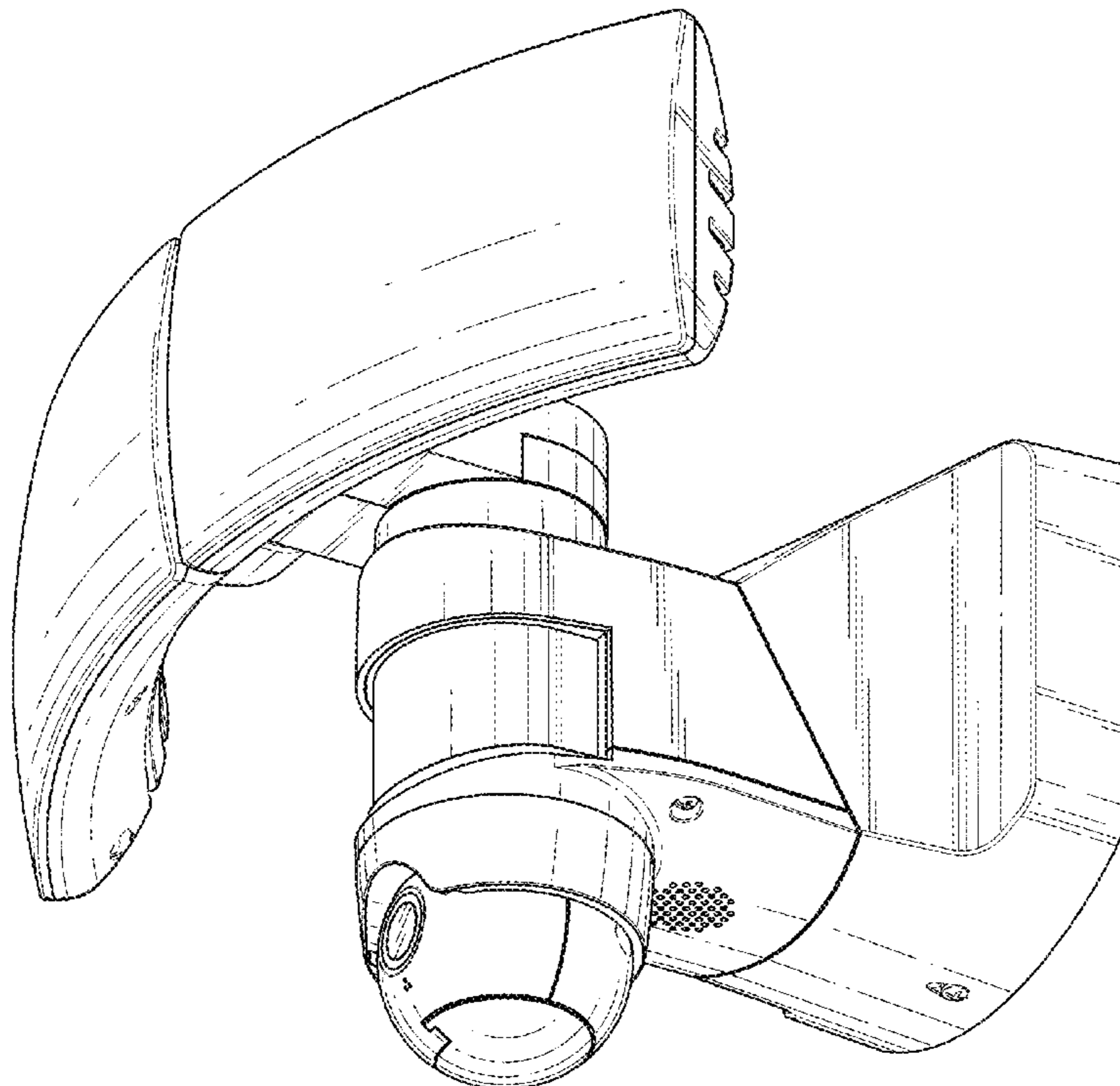
FIG. 5 is a rear view thereof.

FIG. 6 is a left view thereof; and,

FIG. 7 is a right view thereof.

The features shown in broken lines in the Figures do not represent claimed subject matter.

1 Claim, 7 Drawing Sheets



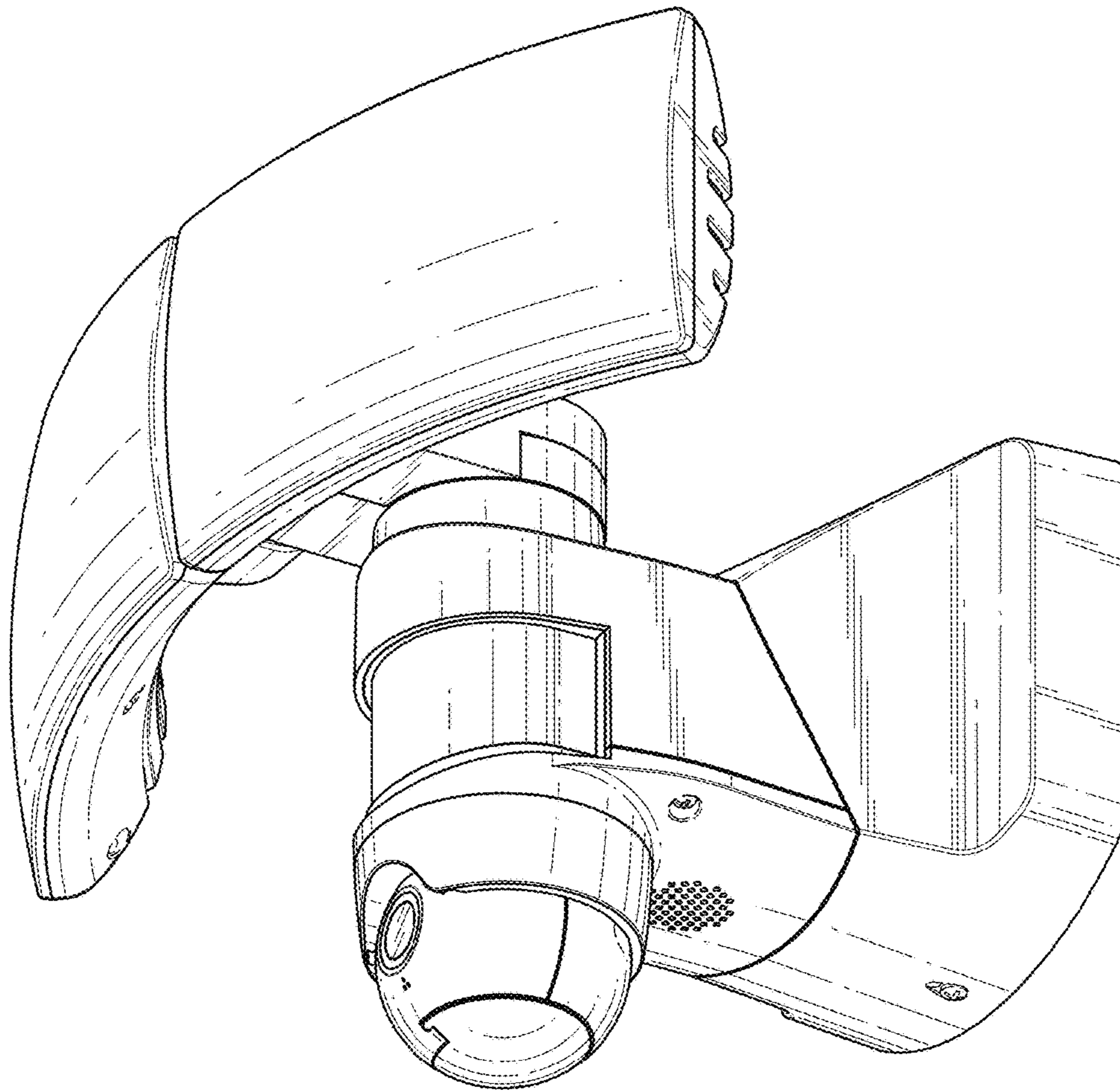


FIG. 1

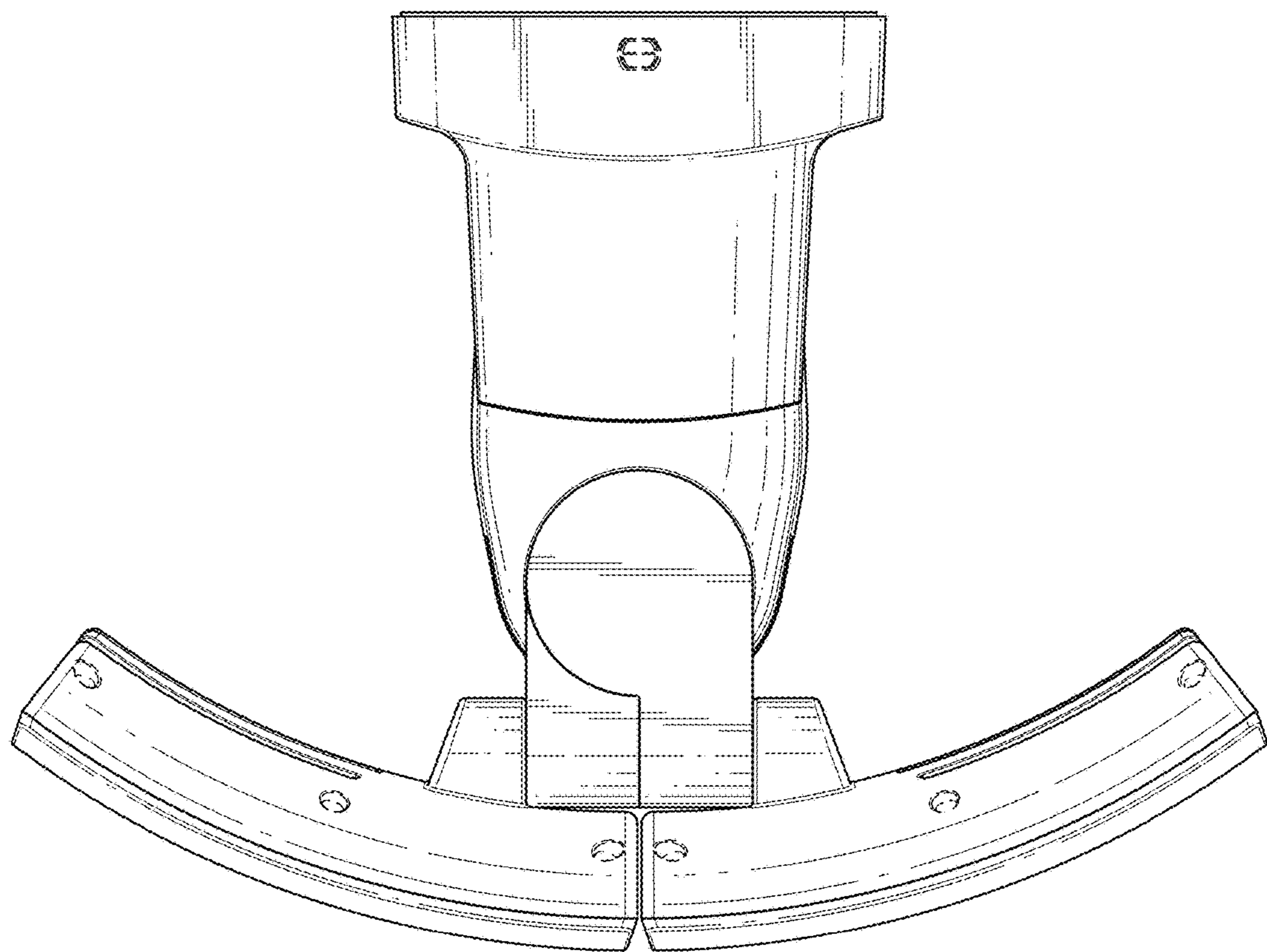


FIG. 2

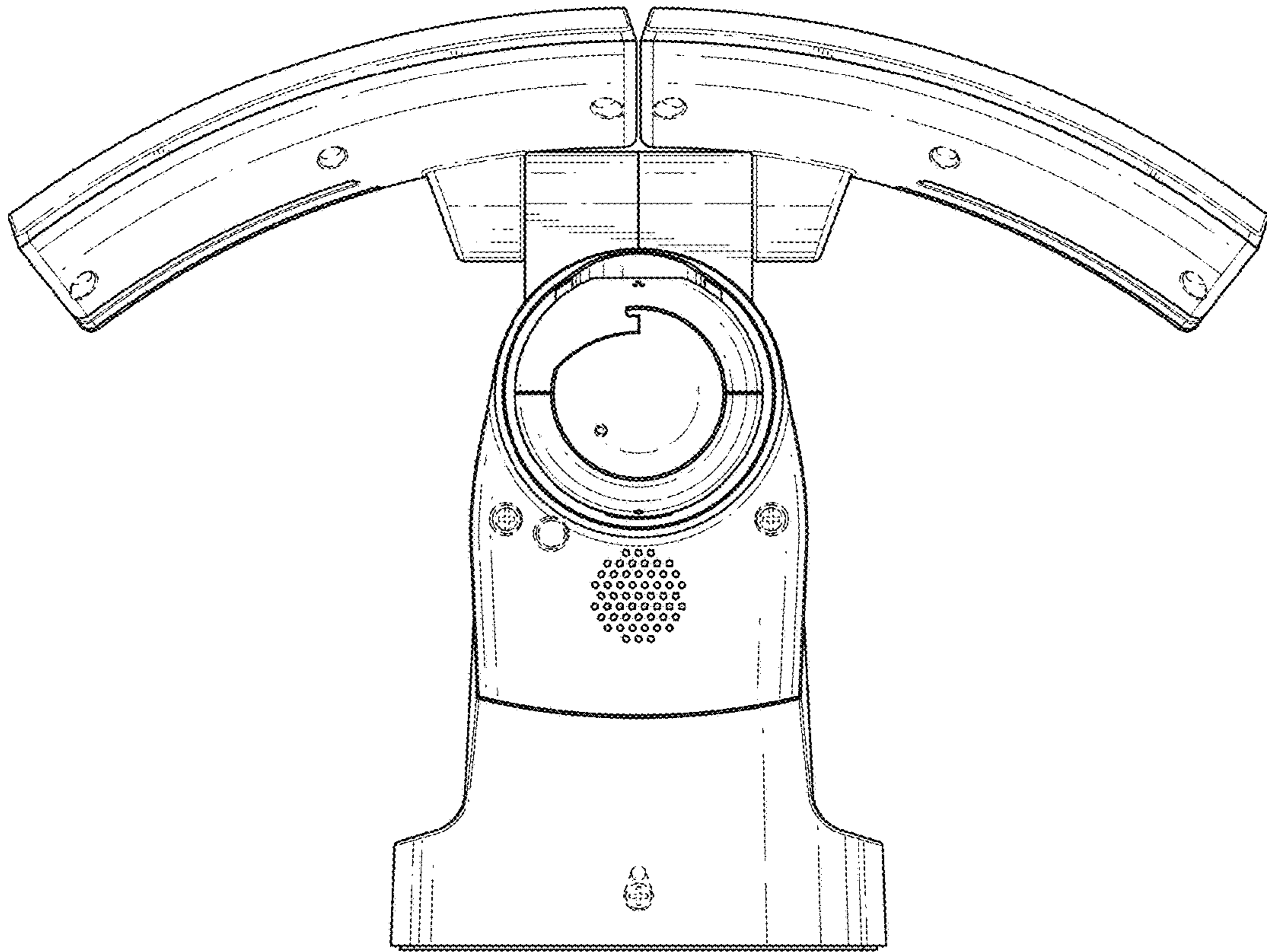


FIG. 3

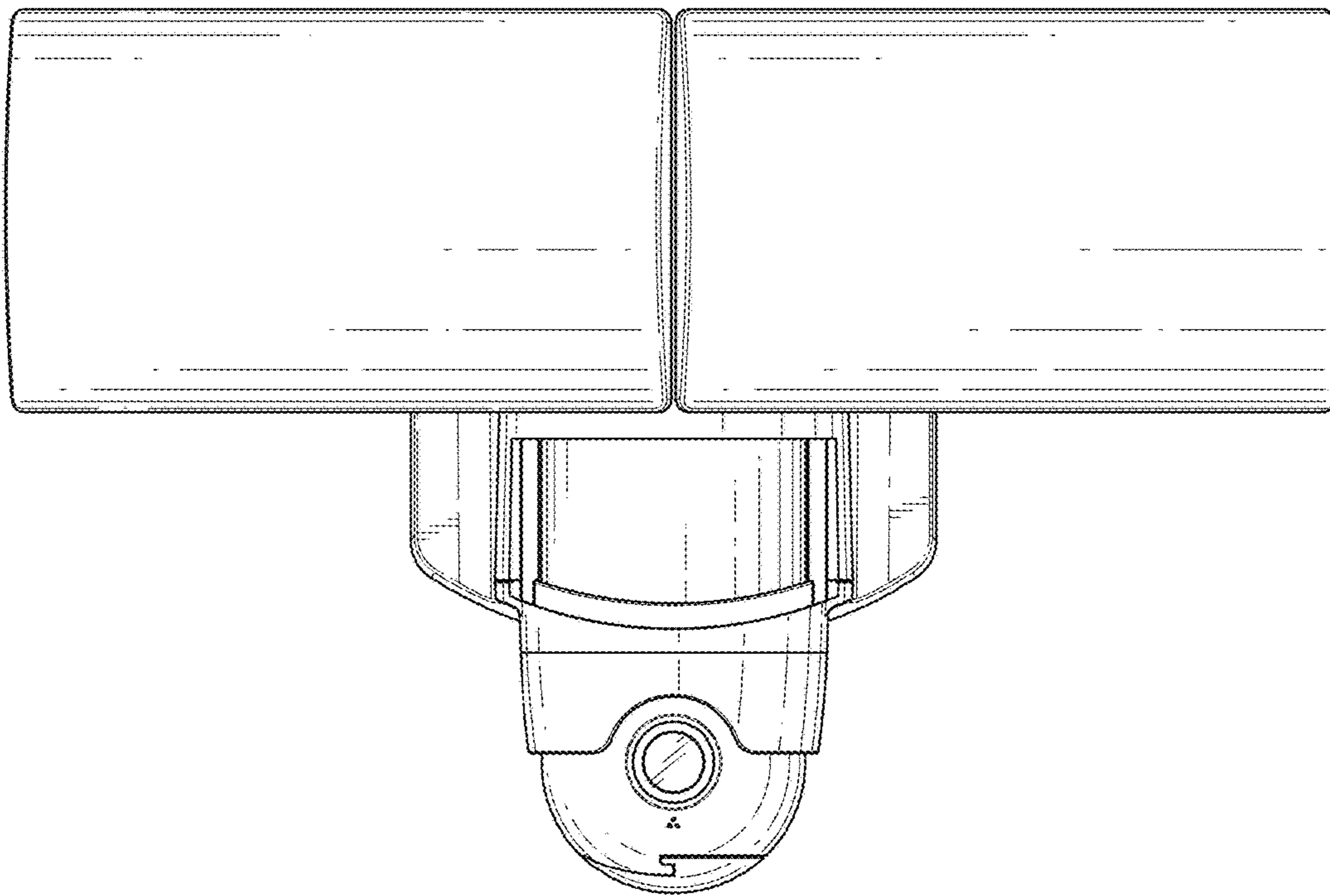


FIG. 4

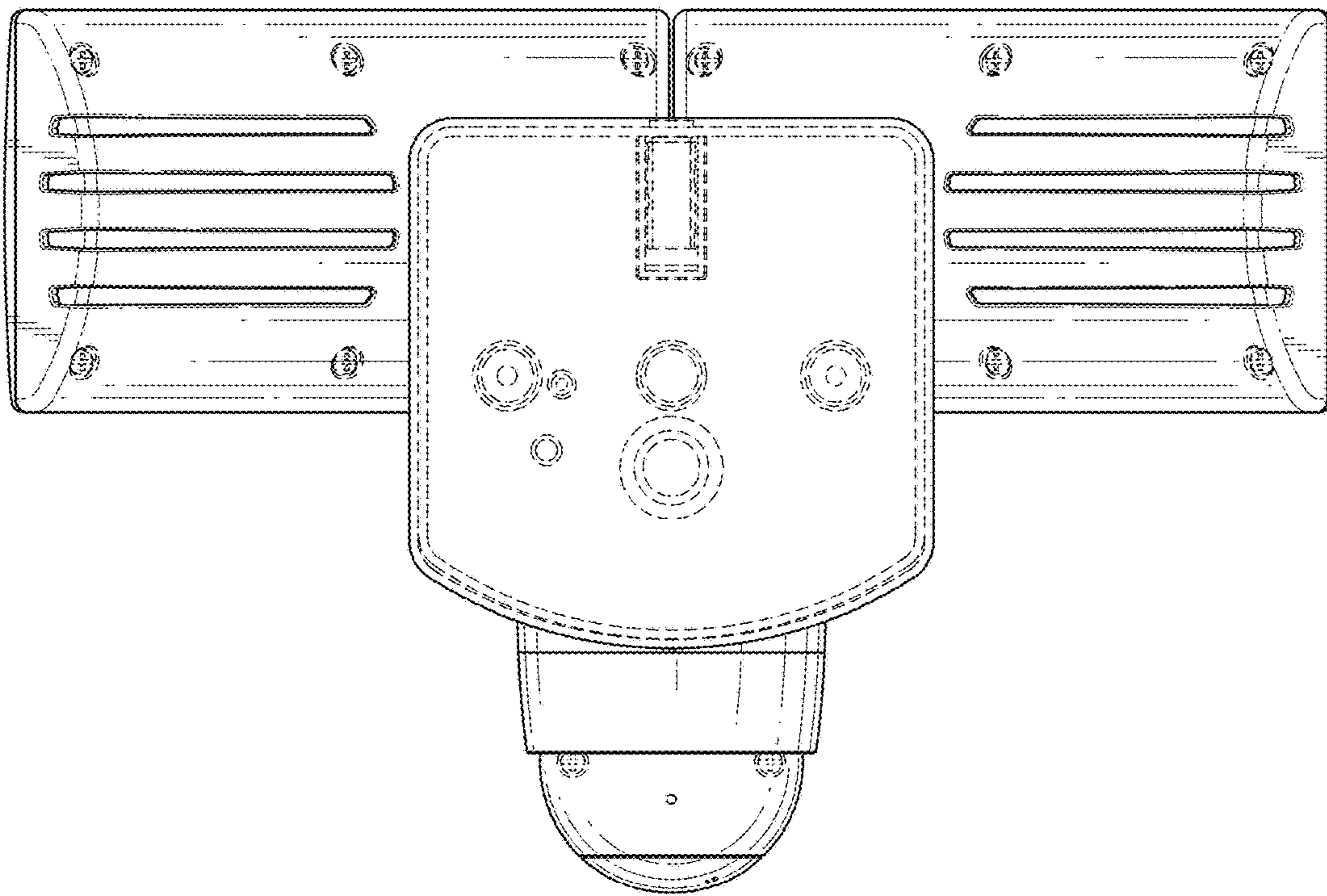


FIG. 5

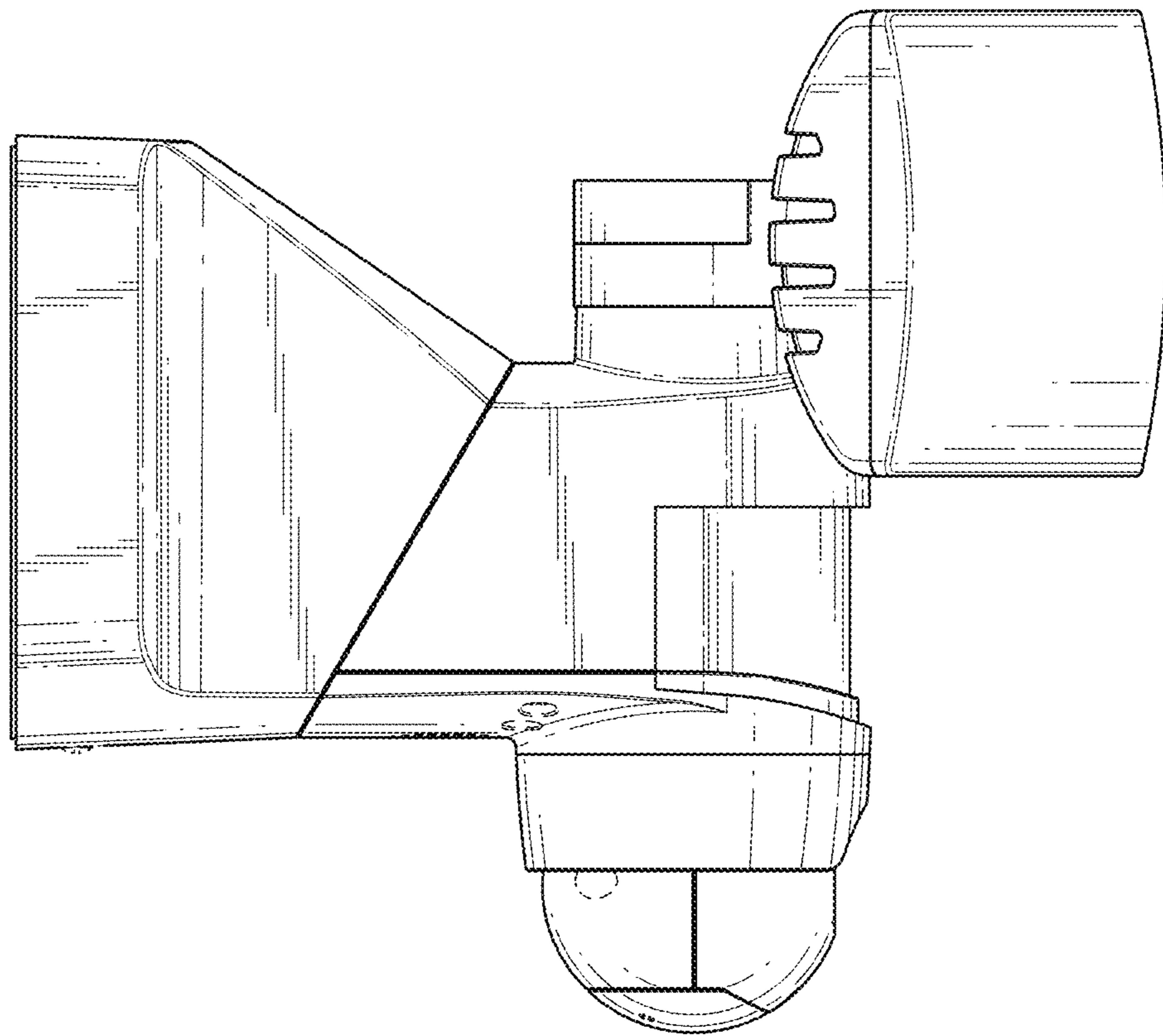


FIG. 6

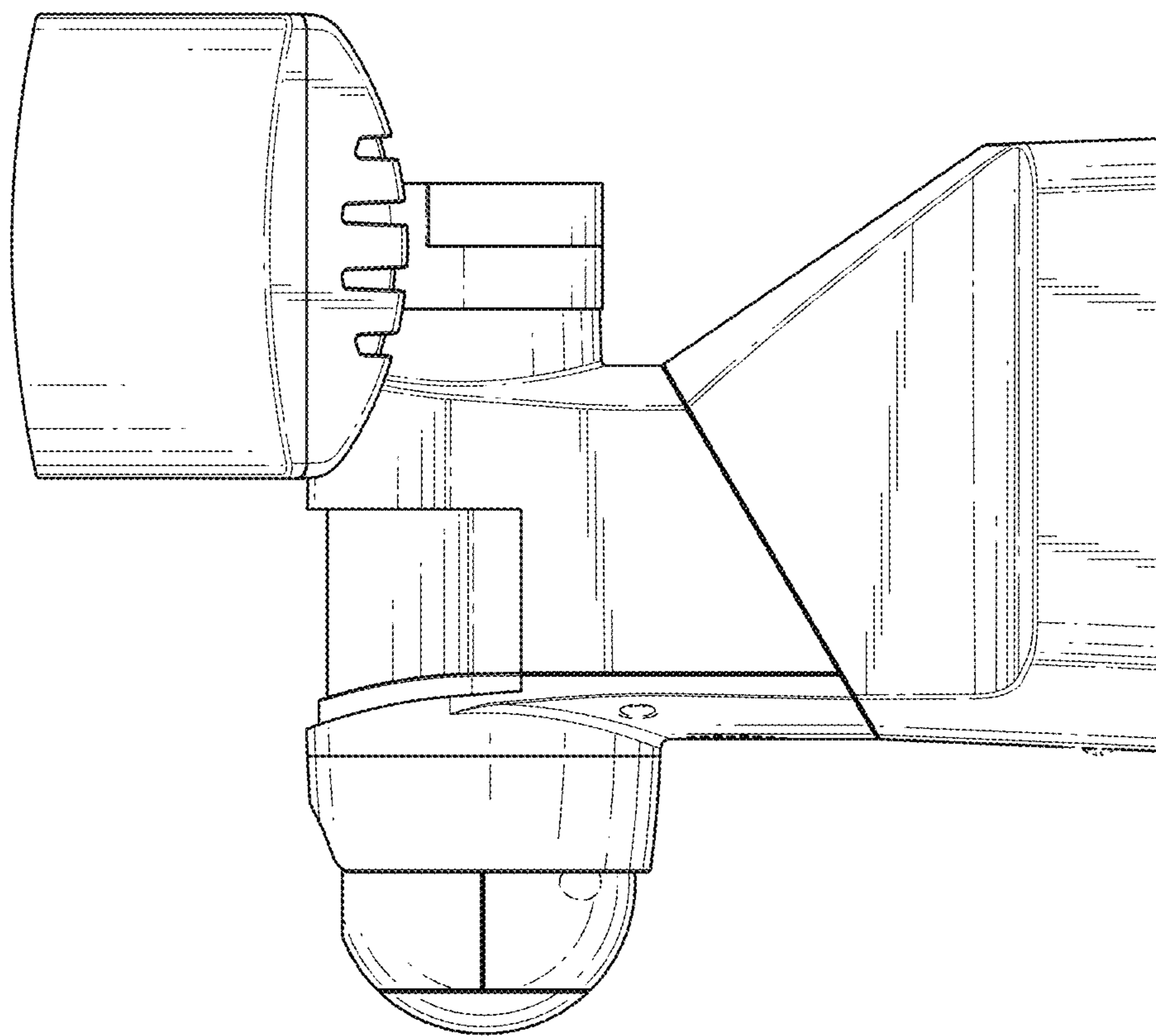


FIG. 7