



US00D804071S

(12) **United States Design Patent**
Xu

(10) **Patent No.:** **US D804,071 S**

(45) **Date of Patent:** **** Nov. 28, 2017**

(54) **LAMP**

(71) Applicant: **Guangdong BESTEK E-commerce Co., Ltd.**, Shenzhen (CN)

(72) Inventor: **Xinhua Xu**, Shenzhen (CN)

(73) Assignee: **GUANGDONG BESTEK E-COMMERCE CO., LTD.**, Shenzhen (CN)

(**) Term: **15 Years**

(21) Appl. No.: **29/575,988**

(22) Filed: **Aug. 30, 2016**

(51) **LOC (10) Cl.** **26-03**

(52) **U.S. Cl.**
USPC **D26/63**

(58) **Field of Classification Search**
USPC D26/1, 24, 61, 63, 65, 85, 93, 106, 107
CPC F21V 21/14; F21V 15/01; F21V 14/02;
F21V 21/30; F21V 21/00; F21V 14/00;
F21S 8/00; F21S 8/003; F21S 8/043;
F21Y 2105/001
See application file for complete search history.

(56) **References Cited**

U.S. PATENT DOCUMENTS

D568,520 S * 5/2008 Castellucci D26/65
D627,501 S * 11/2010 Lin D26/65

D651,734 S * 1/2012 Li D26/63
D654,199 S * 2/2012 Xie D26/63
D759,282 S * 6/2016 Lee D26/65
D765,900 S * 9/2016 Oh D26/63
D785,222 S * 4/2017 Lee D26/65

* cited by examiner

Primary Examiner — Brian N. Vinson

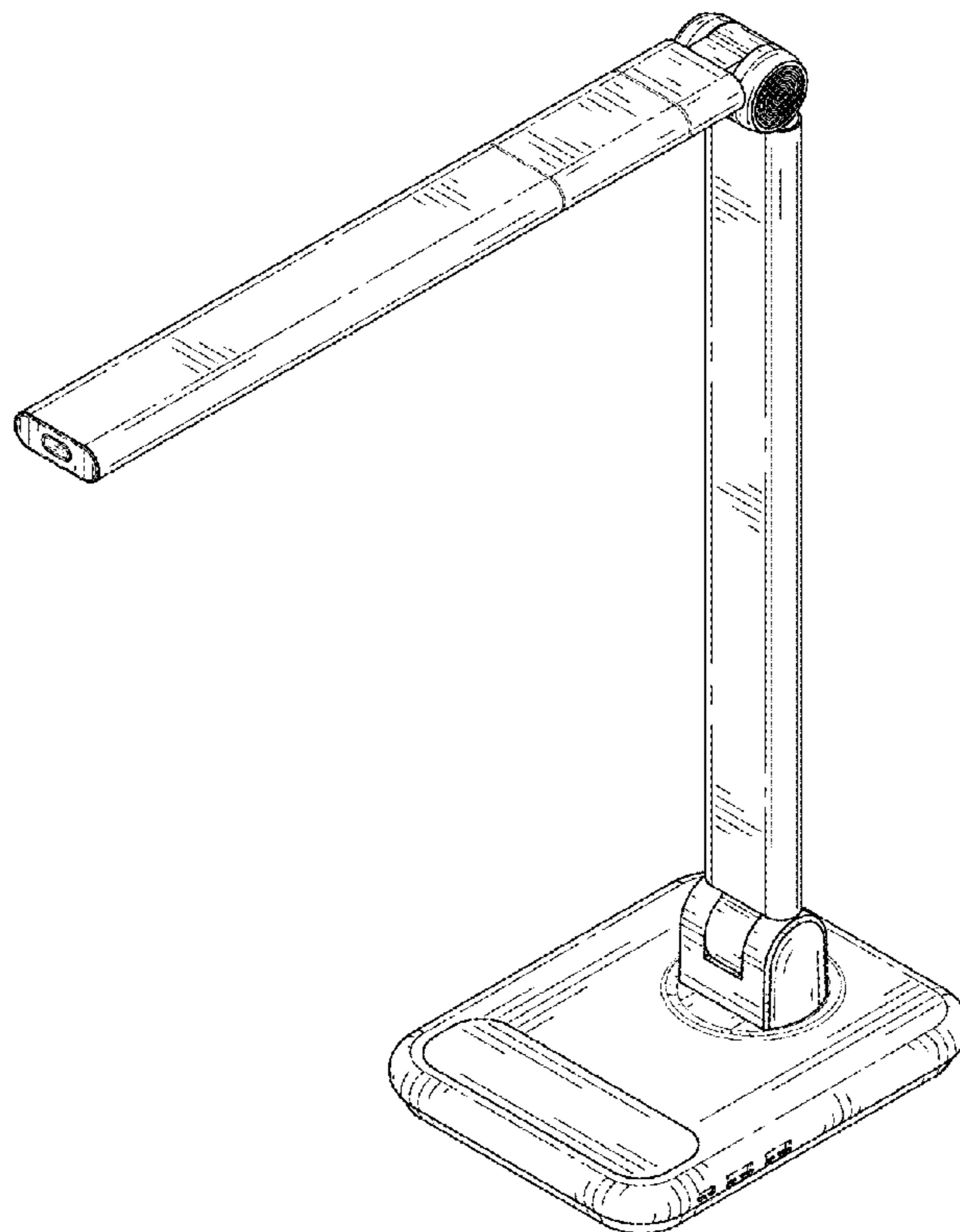
(57) **CLAIM**

The ornamental design for a lamp, as shown.

DESCRIPTION

FIG. 1 is a perspective view of the lamp in a first state showing my new design;
FIG. 2 is a front elevational view thereof;
FIG. 3 is a rear elevational view thereof;
FIG. 4 is a left side elevational view thereof;
FIG. 5 is a right side elevational view thereof;
FIG. 6 is a top plan view thereof;
FIG. 7 is a bottom plan view thereof; and,
FIG. 8 is a perspective view of the lamp in a second state. The broken lines are for the purposes of illustration portion of the lamp and form no part of claimed design.

1 Claim, 8 Drawing Sheets



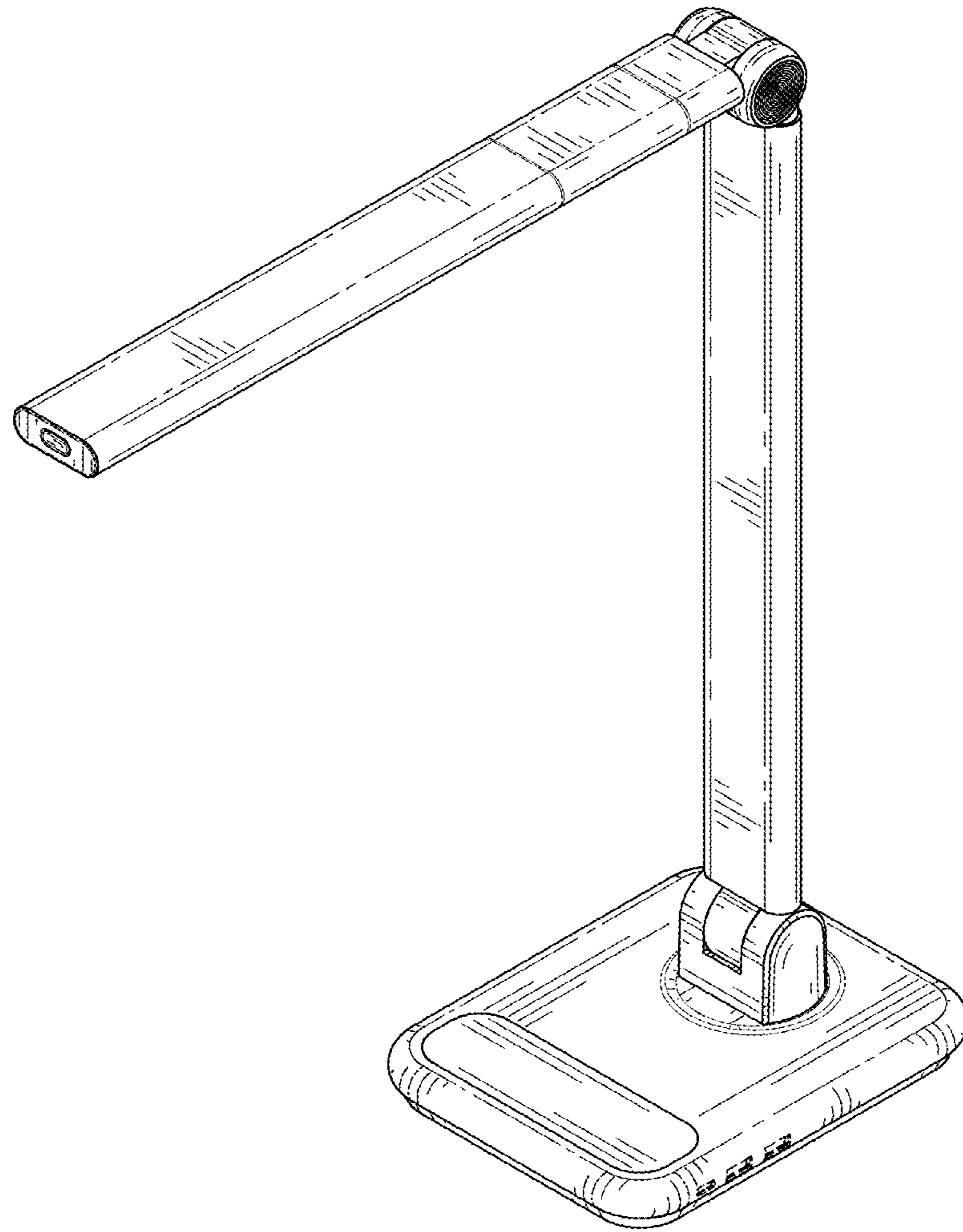


FIG. 1

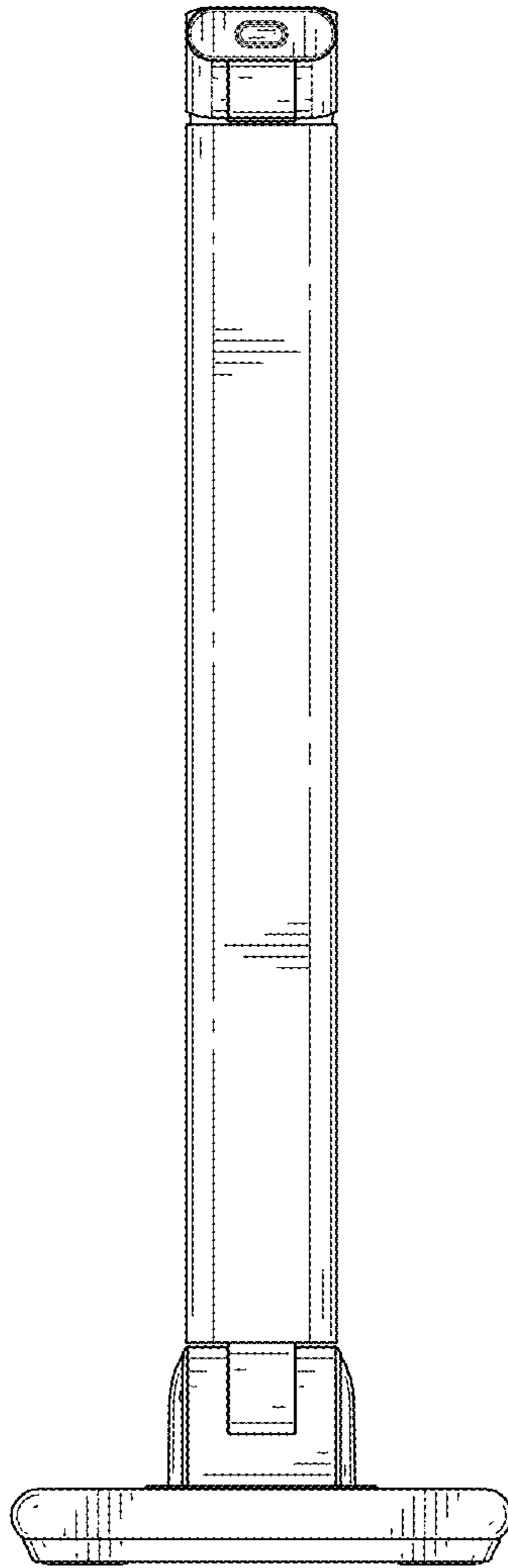


FIG. 2

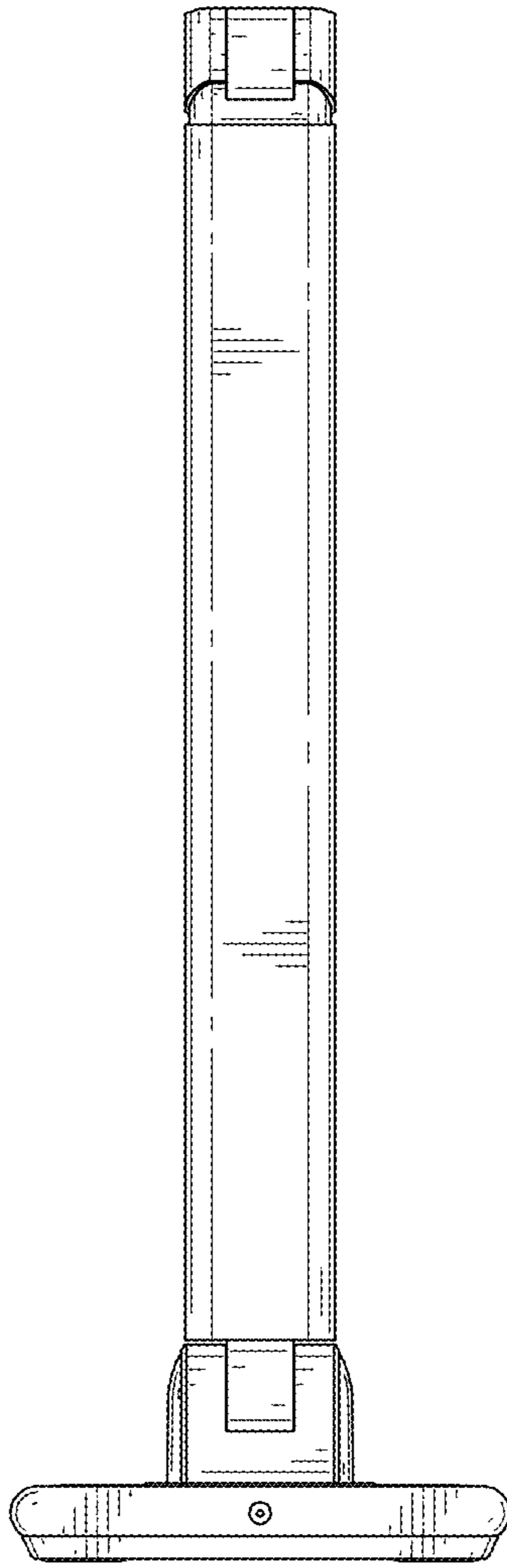


FIG. 3

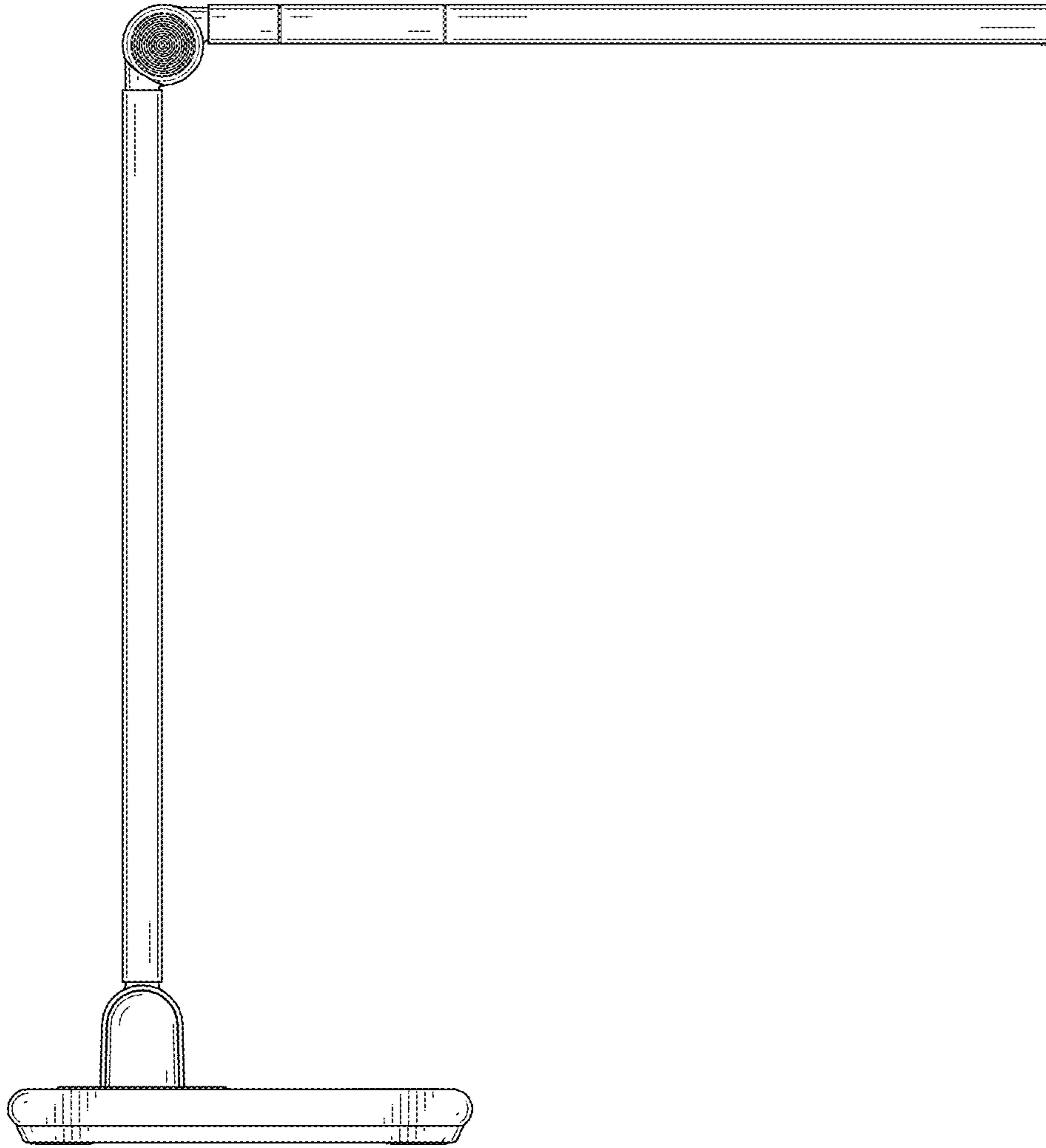


FIG. 4

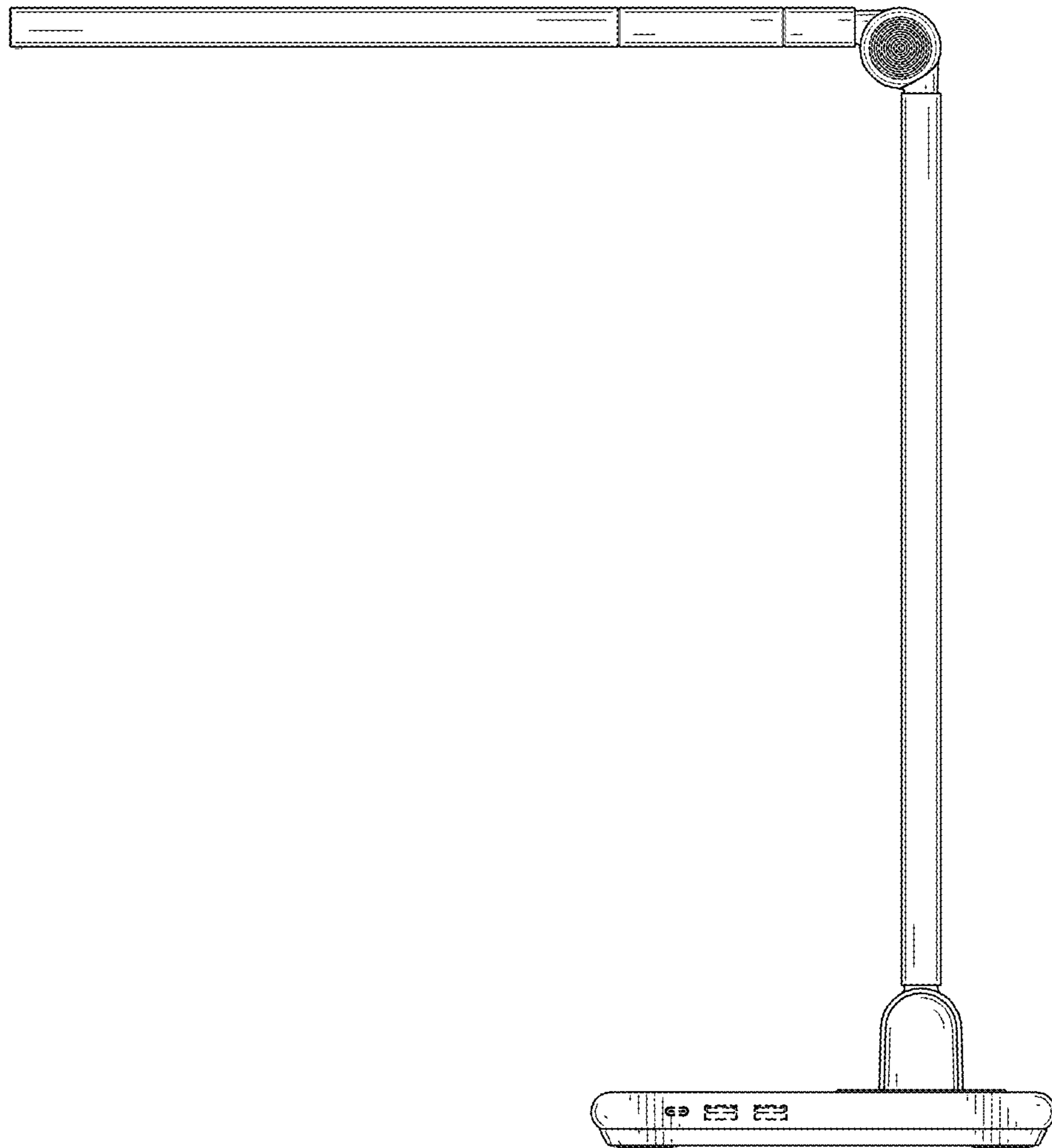


FIG. 5

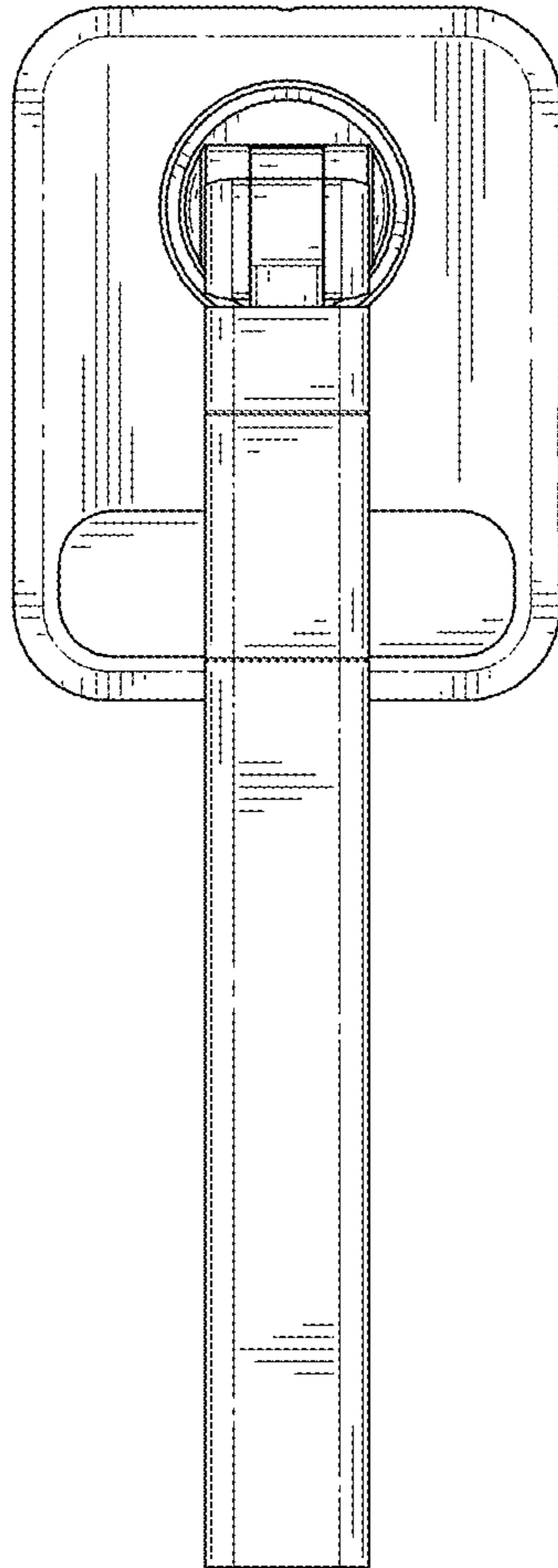


FIG. 6

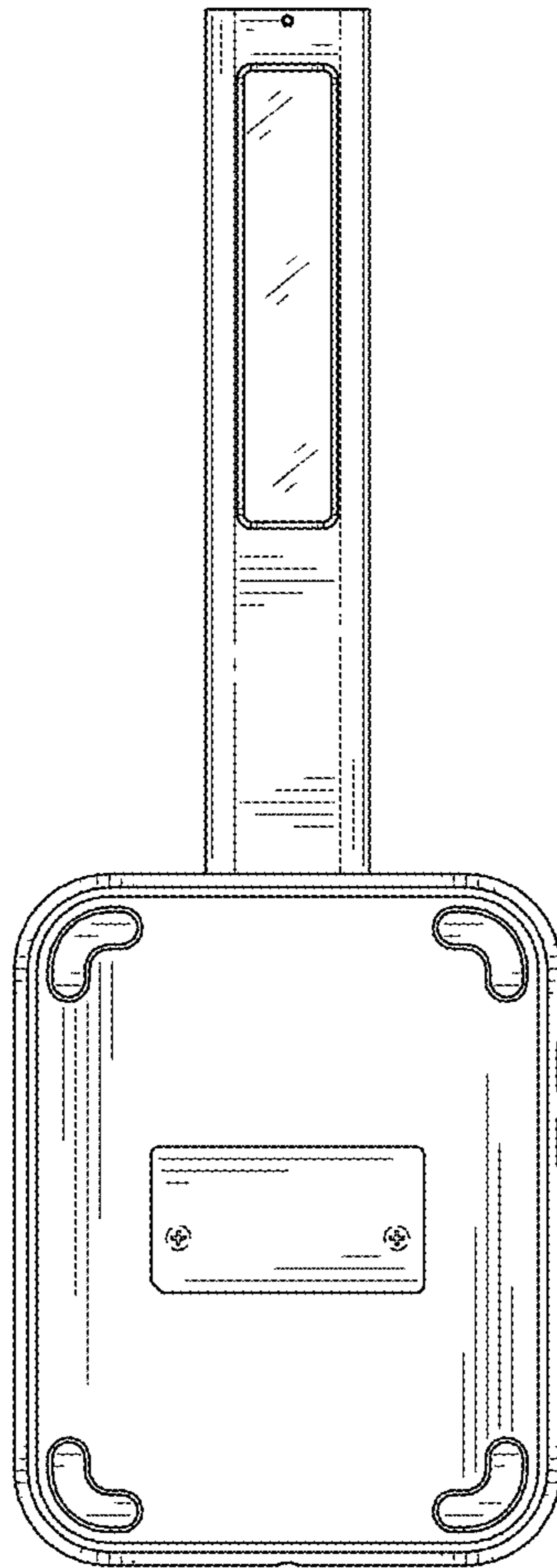


FIG. 7

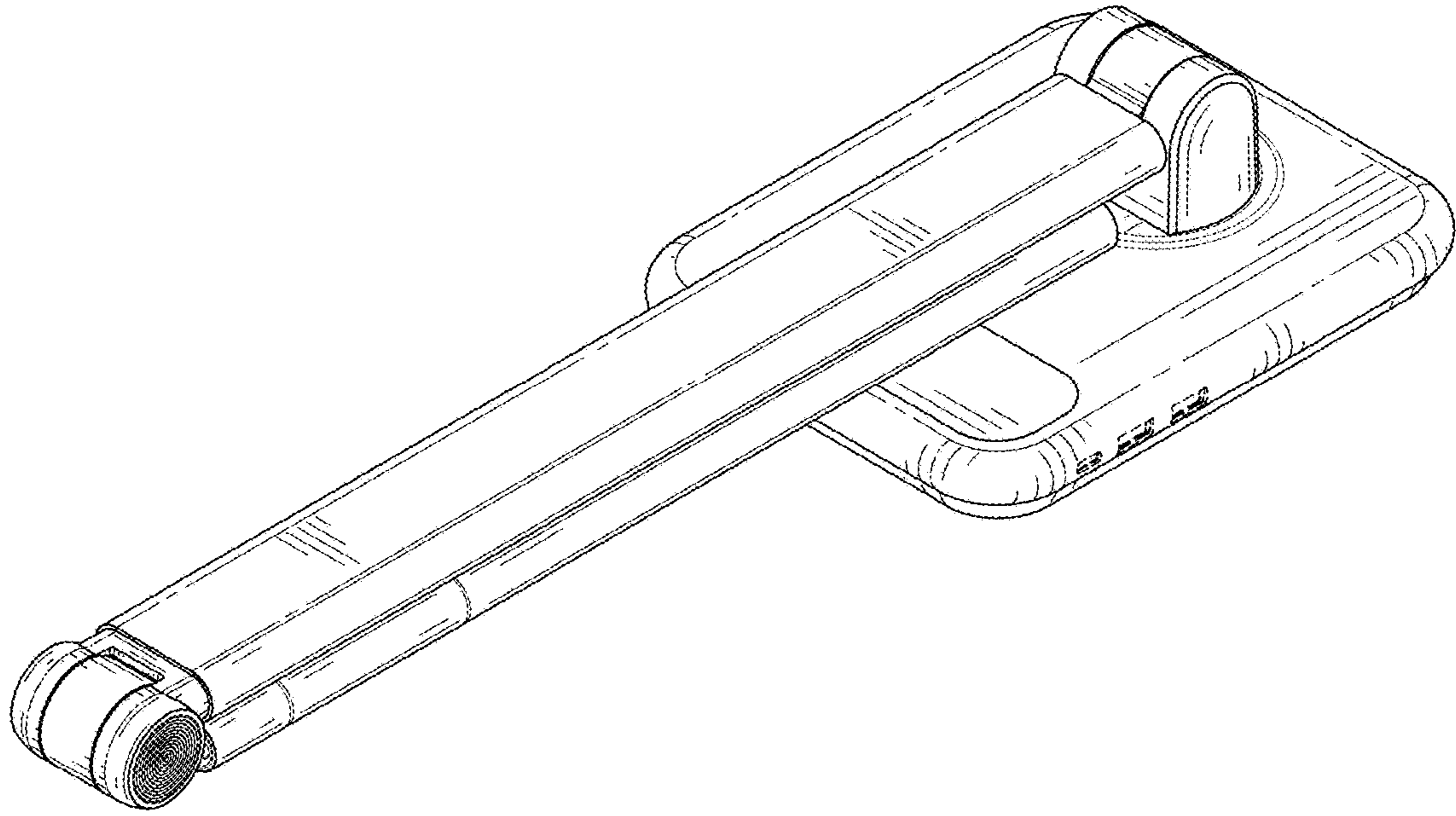


FIG. 8