



US00D804070S

(12) **United States Design Patent**  
**Mishan**

(10) **Patent No.:** **US D804,070 S**

(45) **Date of Patent:** **\*\* Nov. 28, 2017**

- (54) **FLEXIBLE FLASHLIGHT**
- (71) Applicant: **E. MISHAN & SONS, INC.**, New York, NY (US)
- (72) Inventor: **Dylan Mishan**, New York, NY (US)
- (73) Assignee: **E. MISHAN & SONS, INC.**, New York, NY (US)

5,749,644 A 5/1998 Carbone  
 D403,453 S \* 12/1998 Shiau ..... D26/43  
 D404,157 S 1/1999 Carbone  
 6,004,004 A 12/1999 Altman et al.  
 6,280,050 B1 8/2001 Bird et al.  
 D476,106 S 6/2003 Kim

(Continued)

(\*\*) Term: **15 Years**

(21) Appl. No.: **29/536,143**

(22) Filed: **Aug. 13, 2015**

(51) **LOC (10) Cl.** ..... **26-02**

(52) **U.S. Cl.**  
USPC ..... **D26/43**

(58) **Field of Classification Search**  
 USPC ..... D26/37, 39, 40, 41, 42, 43, 44, 46, 50;  
 362/157, 158, 183, 184, 194-196,  
 362/200-208, 253  
 CPC ..... F21L 2003/00; F21L 4/00; F21L 4/005;  
 F21L 4/02; F21L 4/025; F21L 4/027;  
 F21L 4/04; F21L 4/08; F21L 2005/00;  
 F21L 7/00; F21L 11/00; F21L 13/00;  
 F21L 13/04; F21L 13/08; F21L 14/02;  
 F21L 17/00; F21L 19/00  
 See application file for complete search history.

(56) **References Cited**

**U.S. PATENT DOCUMENTS**

D268,442 S 3/1983 Darmon  
 D306,351 S 2/1990 Charet et al.  
 5,154,483 A \* 10/1992 Zeller ..... F21L 4/04  
 362/198  
 5,570,949 A 11/1996 Chiang  
 5,571,279 A 11/1996 Chiang  
 D379,542 S 5/1997 Egashira  
 D385,637 S \* 10/1997 Rombough ..... D26/43  
 D388,524 S 12/1997 Shiau  
 5,717,276 A 2/1998 Hsu

**FOREIGN PATENT DOCUMENTS**

CN 201475669 U 5/2010  
 CN 202647208 U 1/2013

(Continued)

*Primary Examiner* — Ian Simmons

*Assistant Examiner* — Carissa C Fitts

(74) *Attorney, Agent, or Firm* — Notaro, Michalos & Zaccaria P.C.

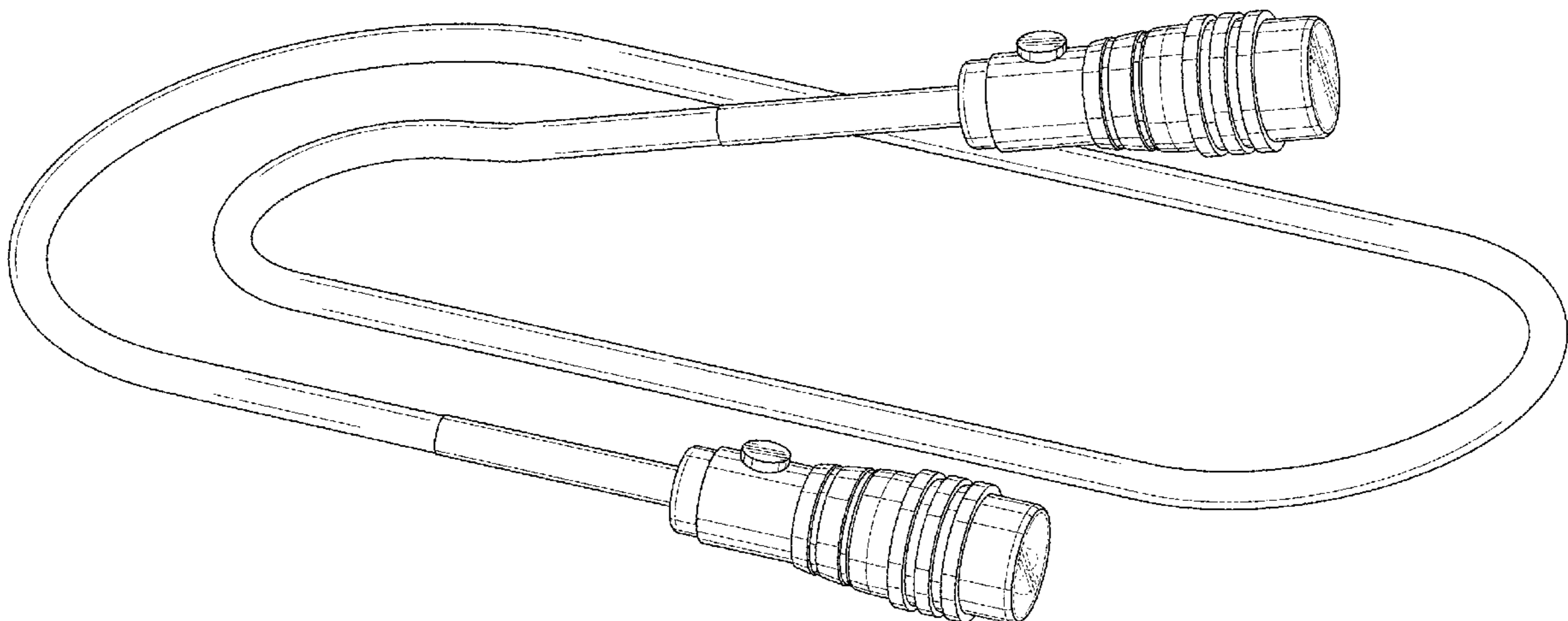
(57) **CLAIM**

The ornamental design for a flexible flashlight, as shown and described.

**DESCRIPTION**

FIG. 1 is a top perspective view of a flexible flashlight showing my design therefor;  
 FIG. 2 is a front elevational view thereof;  
 FIG. 3 is a rear elevational view thereof;  
 FIG. 4 is a side elevational view thereof;  
 FIG. 5 is a opposite side elevational view thereof;  
 FIG. 6 is a top plan view thereof;  
 FIG. 7 is a bottom plan view thereof;  
 FIG. 8 is view of the design of FIG. 1 shown in a different configuration; and,  
 FIG. 9 is a view of the design of FIG. 1 shown in a still further configuration.  
 The broken lines showing of the human figure in FIG. 9 is for environmental purposes. All other broken lines show portions of the article not claimed and form no part of the claimed design.

**1 Claim, 9 Drawing Sheets**



(56)

References Cited

U.S. PATENT DOCUMENTS

D479,888 S 9/2003 Sharrah et al.  
 6,680,844 B2 1/2004 Kim  
 D489,839 S 5/2004 Opolka  
 6,874,908 B2 4/2005 Sharrah et al.  
 RE38,897 E 11/2005 Krenzel  
 D518,212 S 3/2006 Shiu  
 D527,476 S 8/2006 Craft  
 D536,116 S 1/2007 Sharrah  
 7,175,295 B2 2/2007 Bretz et al.  
 D541,690 S \* 5/2007 Schrimmer ..... D11/3  
 D556,078 S \* 11/2007 Schrimmer ..... D11/3  
 D560,014 S 1/2008 Lammel et al.  
 D563,011 S 2/2008 Major et al.  
 D571,942 S 6/2008 Christianson  
 D575,890 S \* 8/2008 Montalbano ..... D26/62  
 7,429,123 B2 9/2008 Moore  
 D588,735 S 3/2009 Woodard

7,510,295 B2 3/2009 Shih  
 D590,530 S \* 4/2009 Tsai ..... D26/51  
 D591,438 S 4/2009 Hama et al.  
 D600,842 S \* 9/2009 Shiu ..... D26/44  
 D623,783 S 9/2010 Christianson et al.  
 D673,710 S 1/2013 Eichelberger  
 8,403,515 B2 3/2013 Eichelberger et al.  
 D699,875 S 2/2014 Christianson et al.  
 D700,383 S 2/2014 Seidl et al.  
 D723,202 S 2/2015 Windom et al.  
 2003/0161143 A1 8/2003 Parker et al.  
 2004/0174703 A1 9/2004 Tally

FOREIGN PATENT DOCUMENTS

CN 202647209 U 1/2013  
 CN 203323046 U 12/2013  
 CN 203363701 U 12/2013

\* cited by examiner

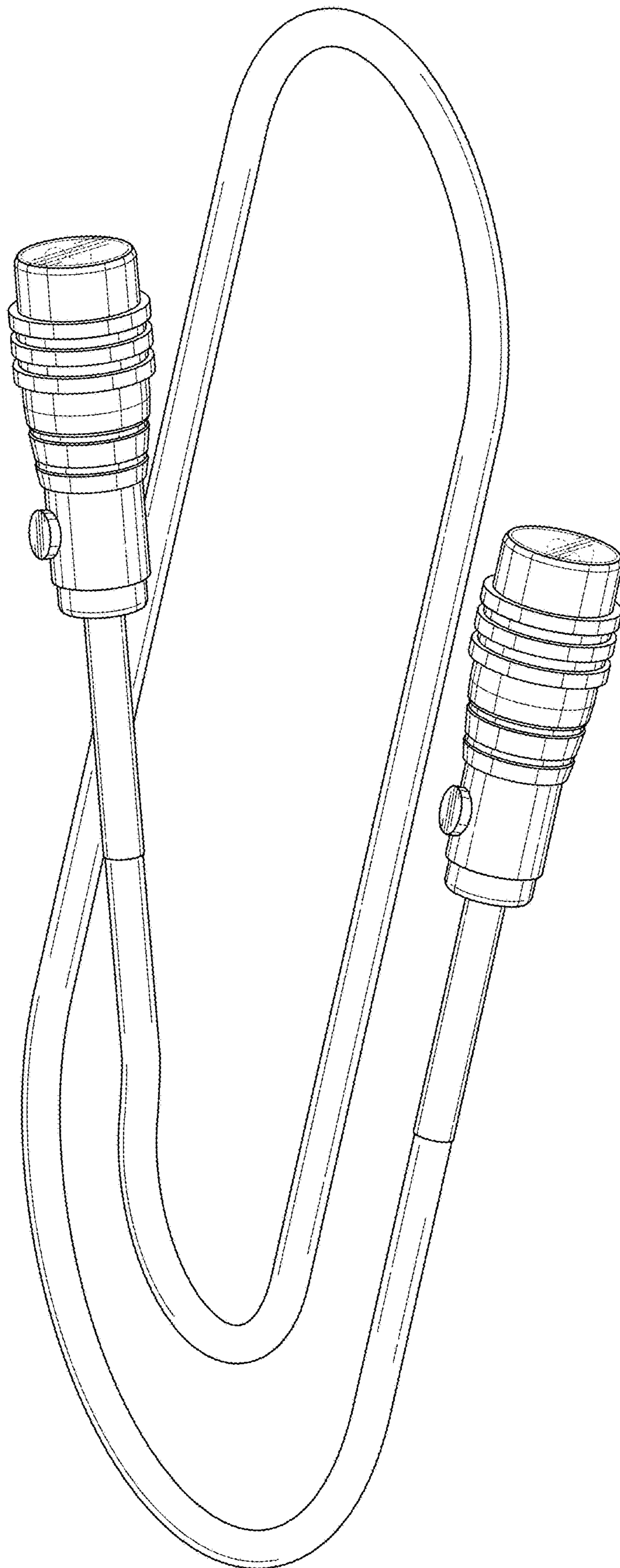


FIG. 1

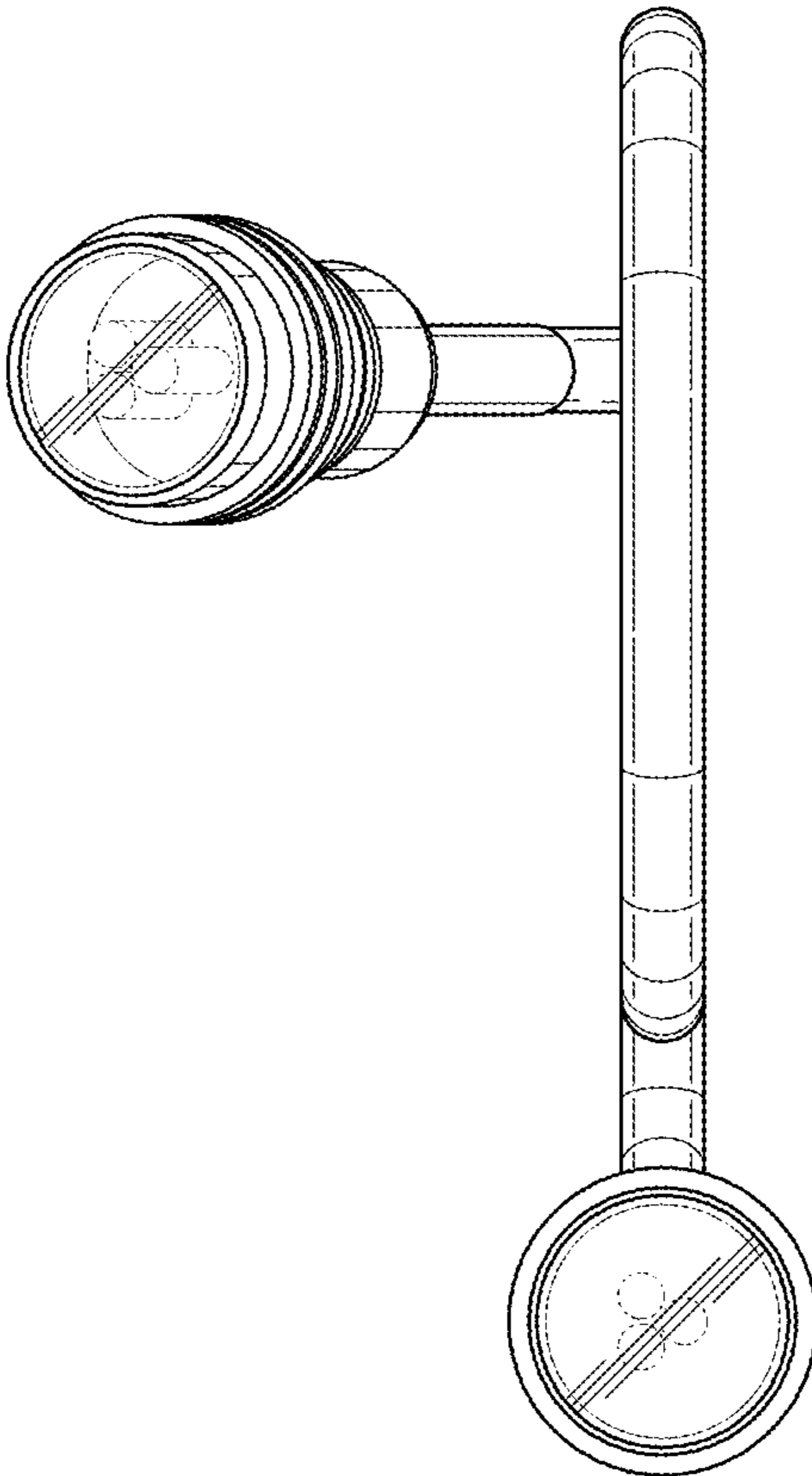


FIG. 2

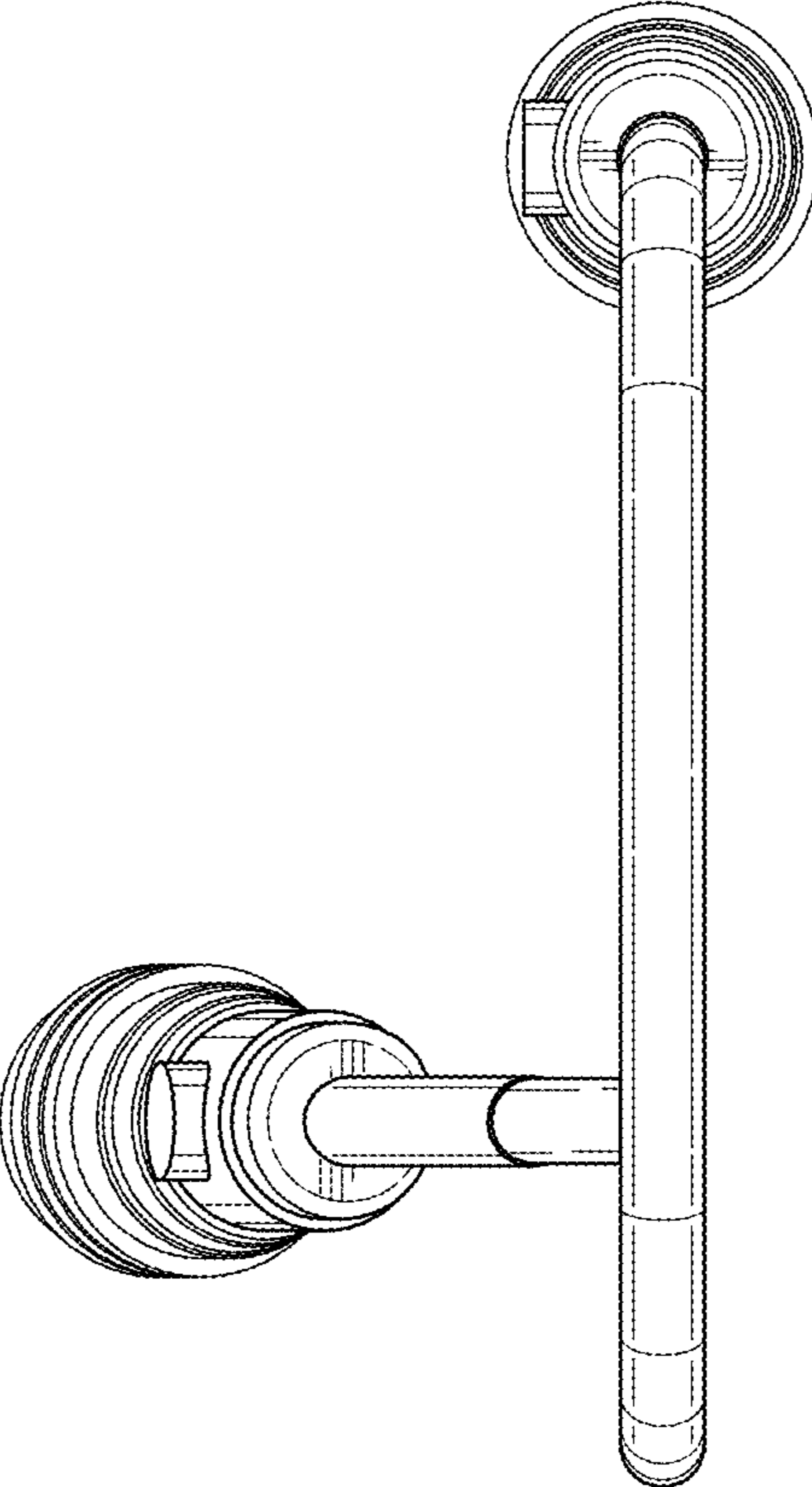


FIG. 3

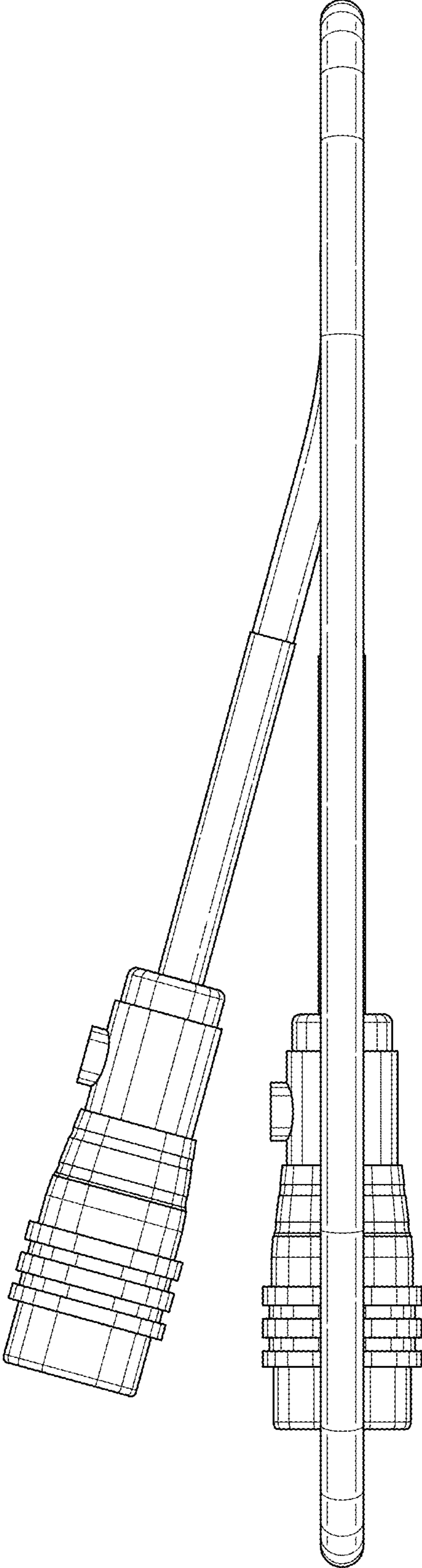


FIG. 4

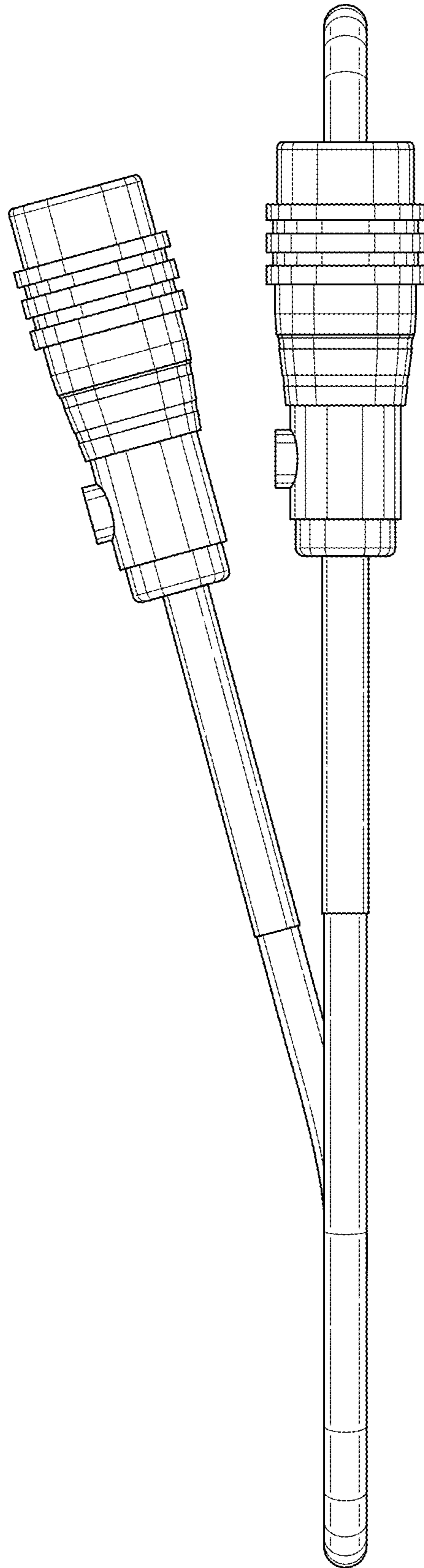


FIG. 5

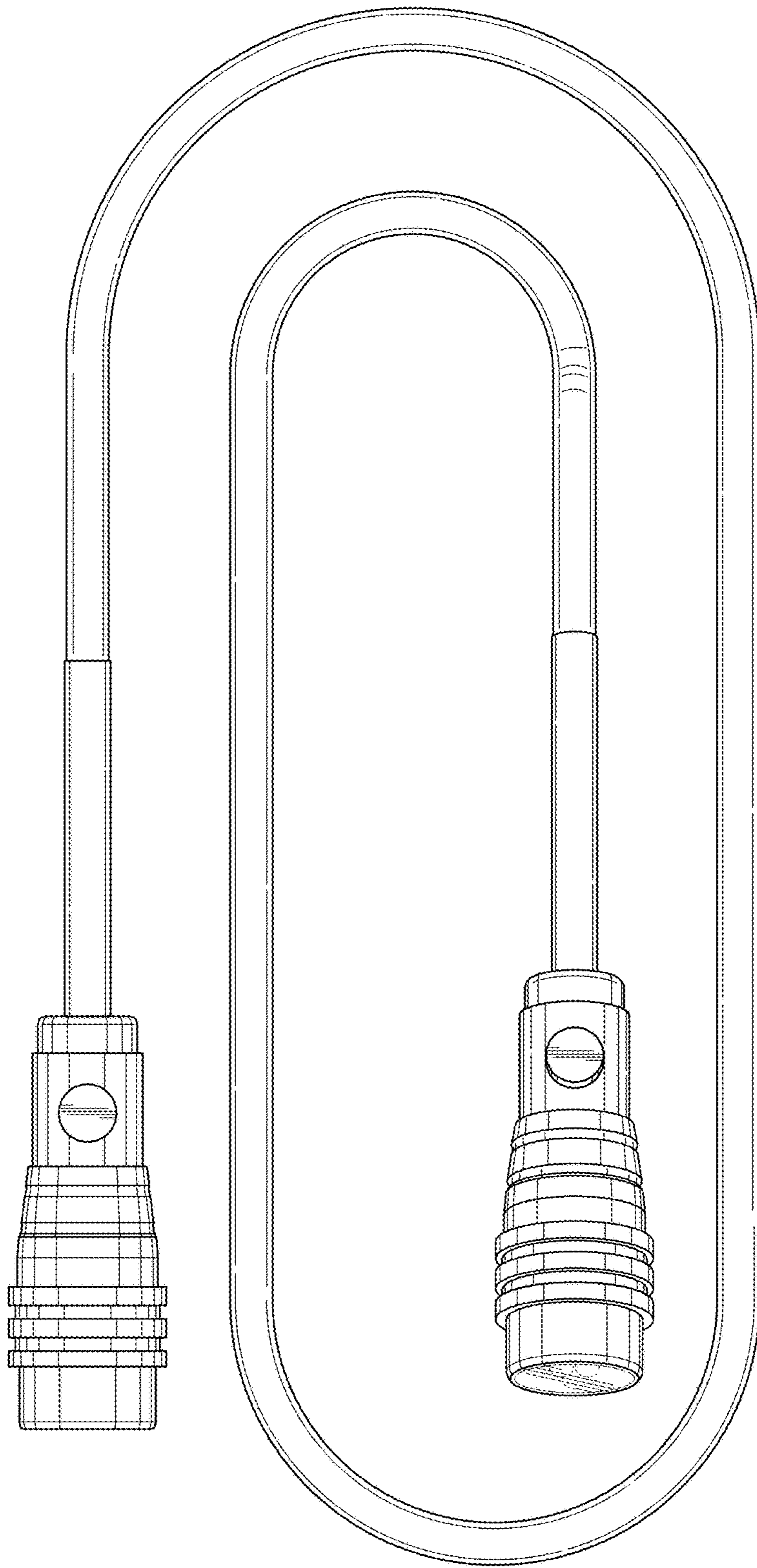


FIG. 6



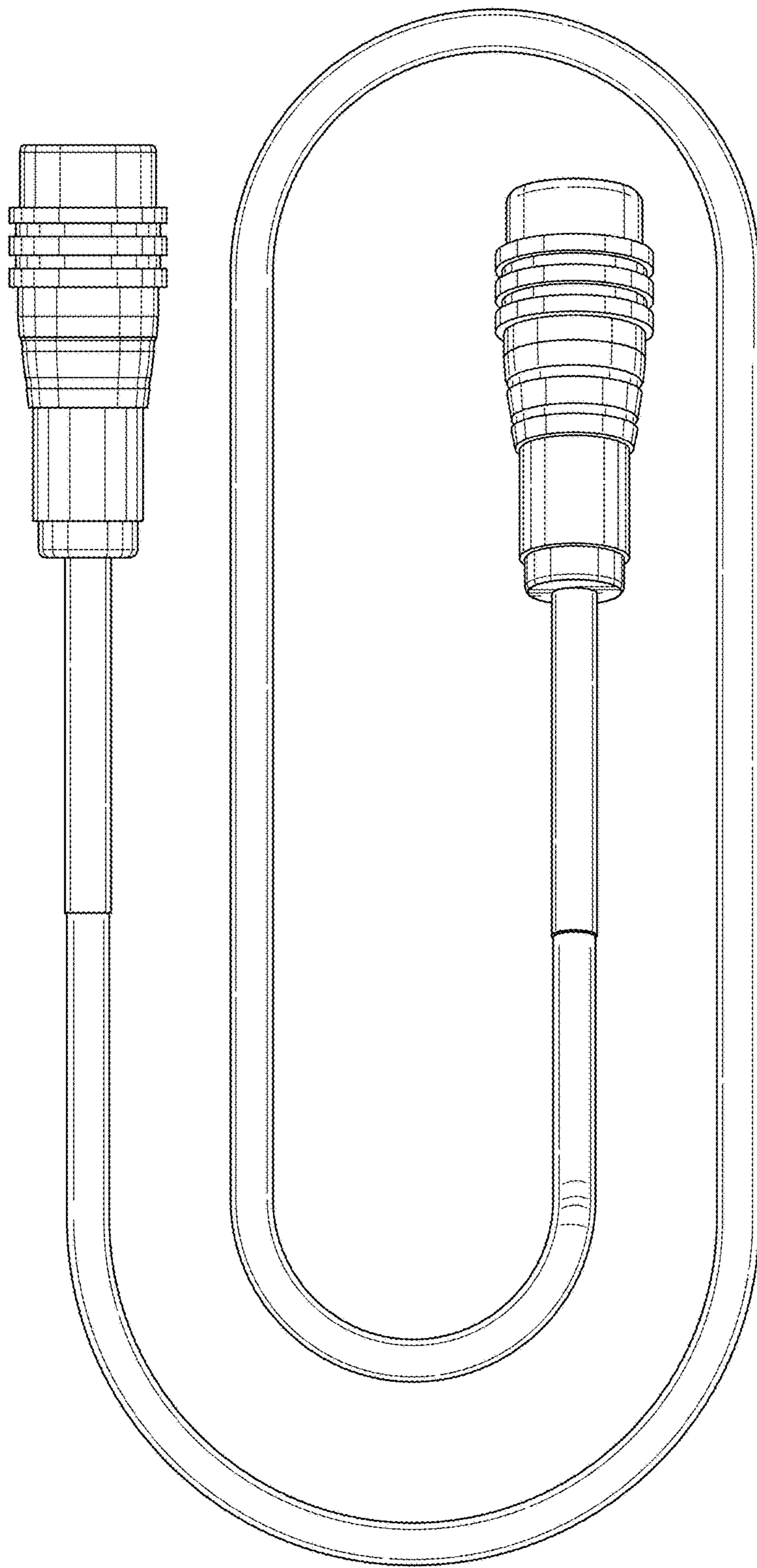


FIG. 7

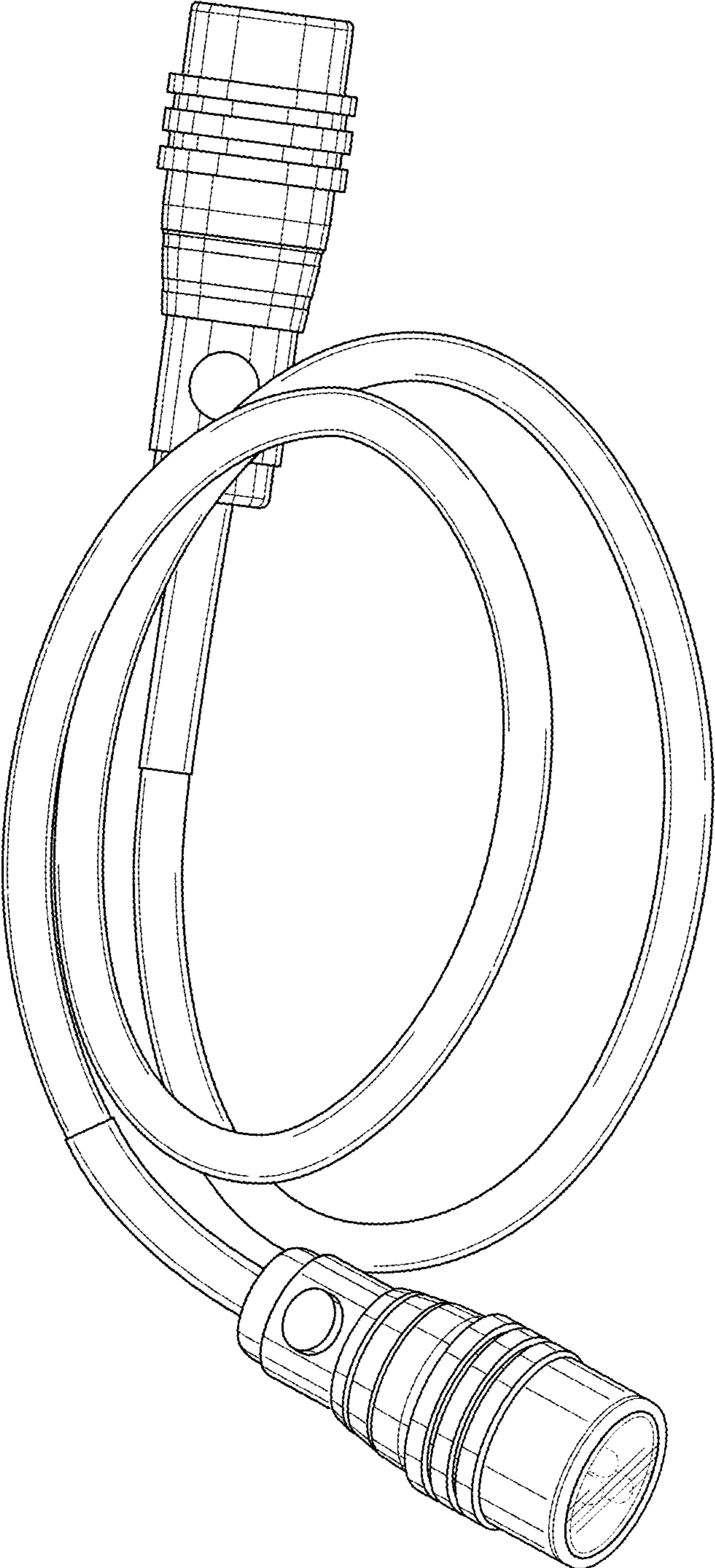


FIG. 8

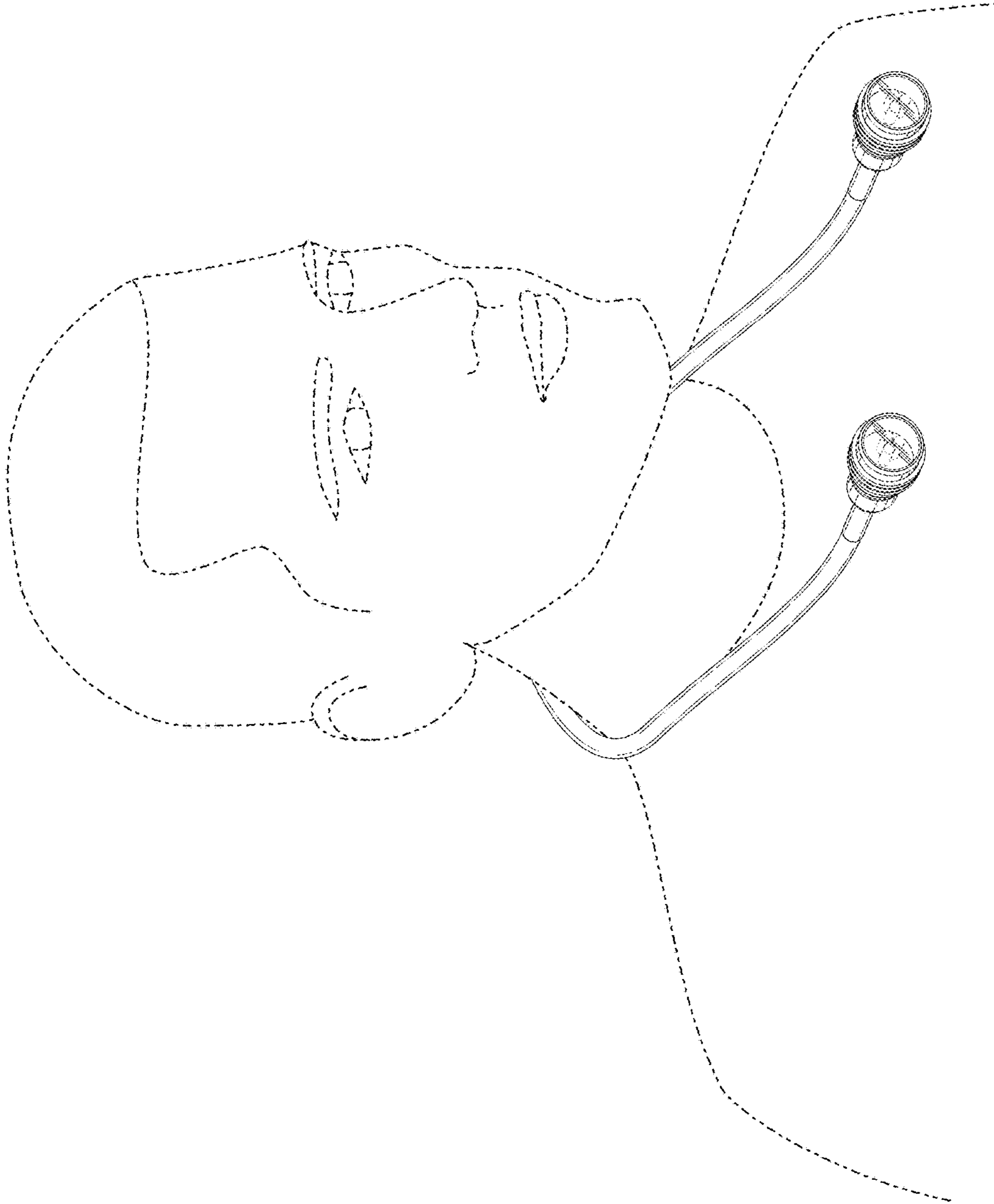


FIG. 9