



US00D804066S

(12) **United States Design Patent** (10) **Patent No.:** **US D804,066 S**
Chen et al. (45) **Date of Patent:** **** Nov. 28, 2017**

(54) **VEHICLE LAMP**

(56) **References Cited**

(71) Applicant: **LUCIDITY ENTERPRISE CO., LTD.**, Tainan (TW)
(72) Inventors: **Wei-Tso Chen**, Tainan (TW); **Chih-Pin Shen**, Kaohsiung (TW)
(73) Assignee: **LUCIDITY ENTERPRISE CO., LTD.**, Annan District, Tainan (TW)
(**) Term: **15 Years**
(21) Appl. No.: **29/585,348**
(22) Filed: **Nov. 23, 2016**
(51) **LOC (10) Cl.** **26-06**
(52) **U.S. Cl.**
USPC **D26/28**
(58) **Field of Classification Search**
USPC D26/28-36; 362/80-83, 267-269, 362/459-468, 475-478, 485-487
CPC B60Q 9/13; B60Q 9/135; B60Q 9/1375; F21S 48/00; F21S 48/10; F21S 48/115; F21S 48/1233; F21S 48/1266; F21S 48/1388; F21S 48/2268; F21V 21/04
See application file for complete search history.

U.S. PATENT DOCUMENTS

D512,790 S * 12/2005 Handsaker D26/28
D549,367 S * 8/2007 Hovind D26/28
D583,490 S * 12/2008 Rogers D26/28
D745,720 S * 12/2015 Chang D26/28

* cited by examiner

Primary Examiner — Marcus Jackson

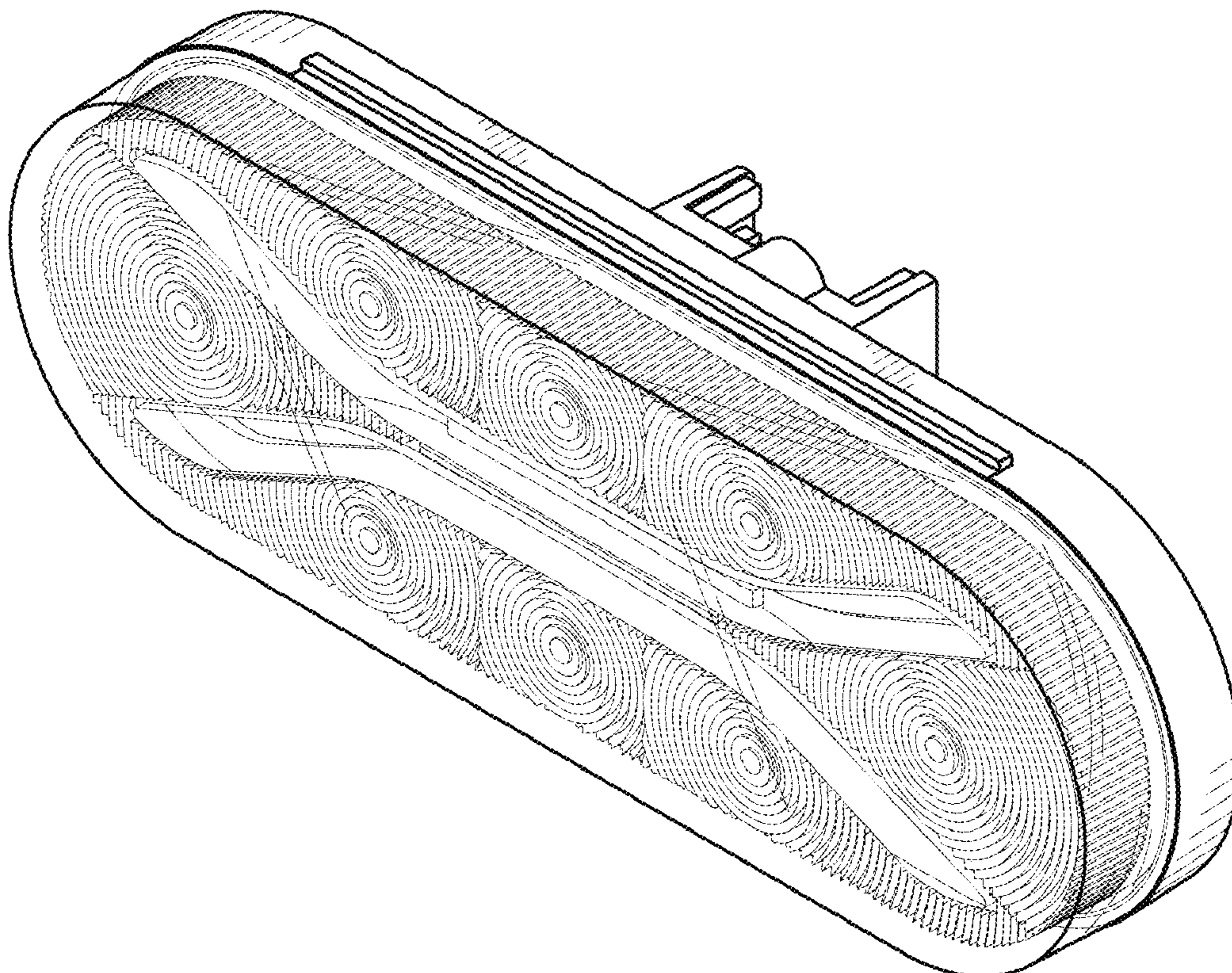
(57) **CLAIM**

The ornamental design for a vehicle lamp, as shown and described.

DESCRIPTION

FIG. 1 is a perspective view of a vehicle lamp showing my design;
FIG. 2 is a front elevational view thereof;
FIG. 3 is a rear elevational view thereof;
FIG. 4 is a left side elevational view thereof;
FIG. 5 is a right side elevational view thereof;
FIG. 6 is a top plan view thereof; and,
FIG. 7 is a bottom plan view.

1 Claim, 5 Drawing Sheets



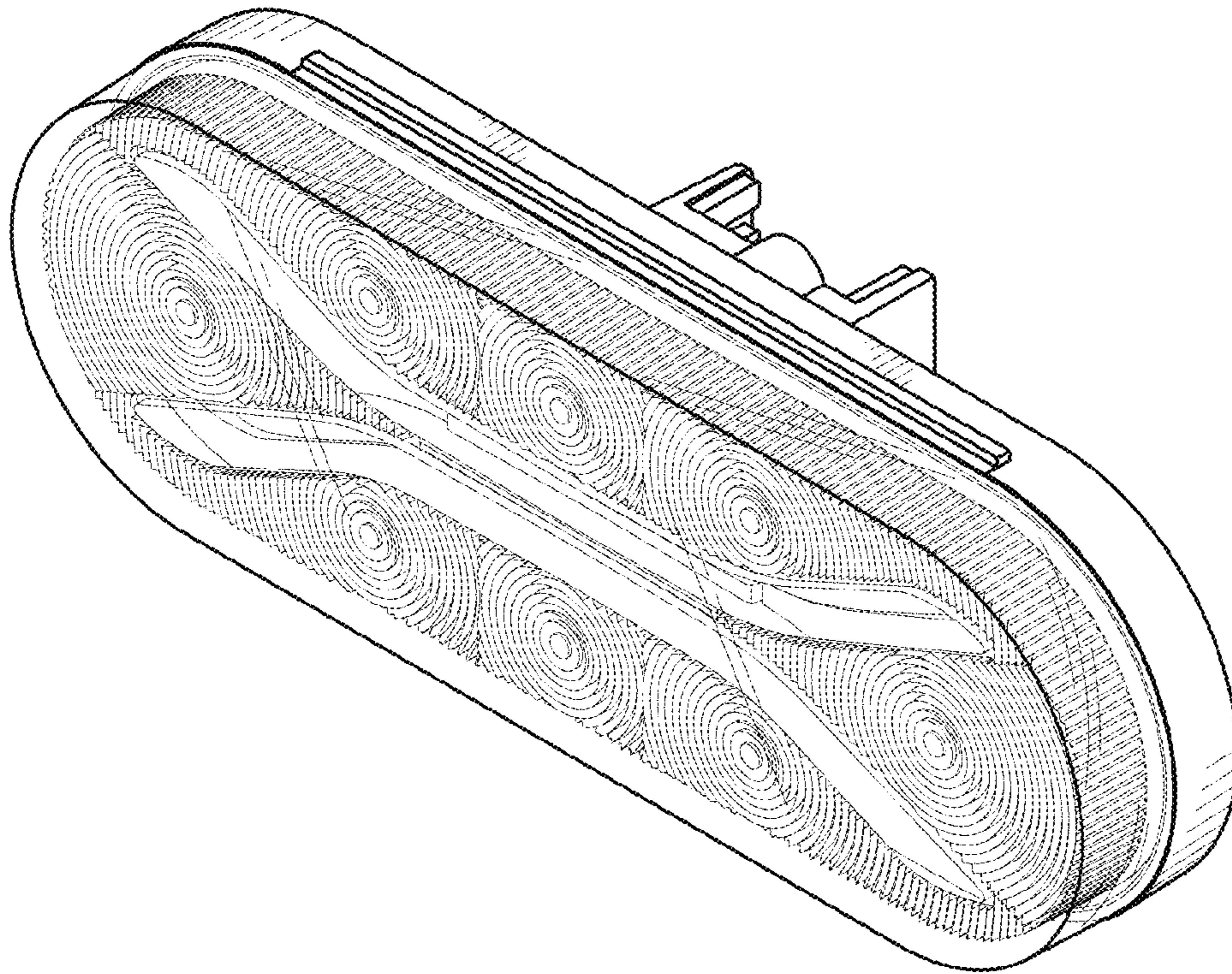


FIG. 1

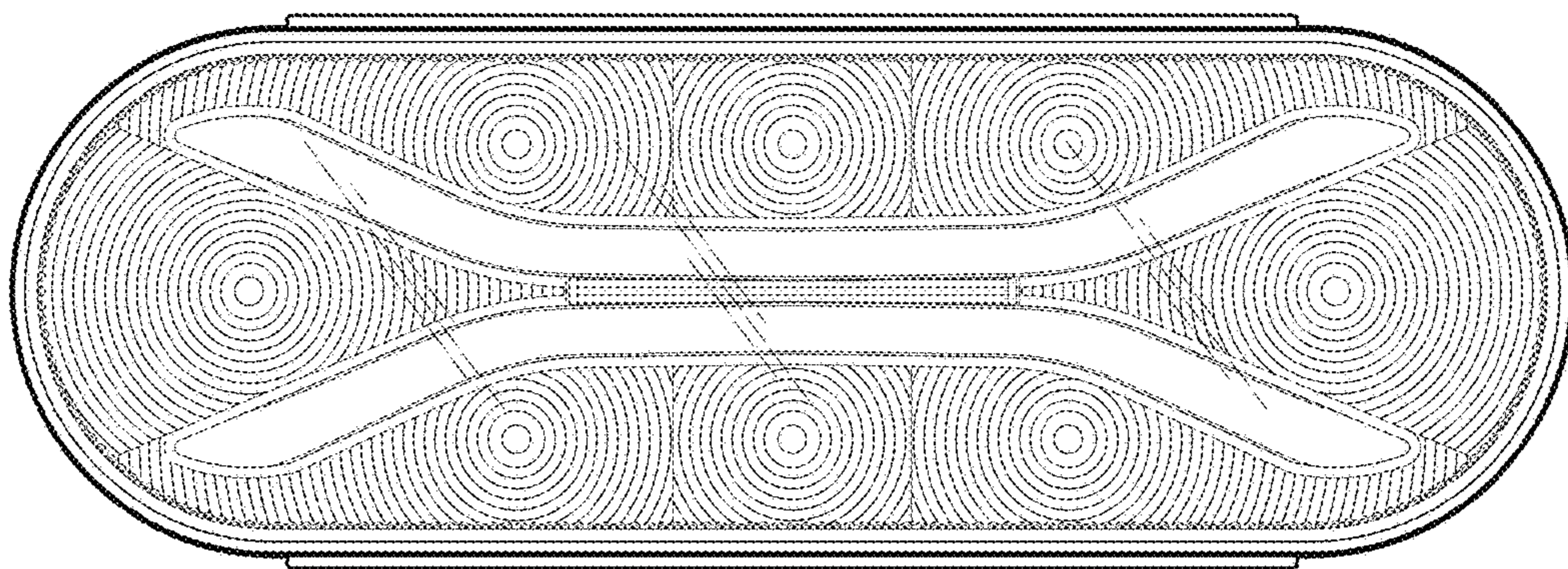


FIG. 2

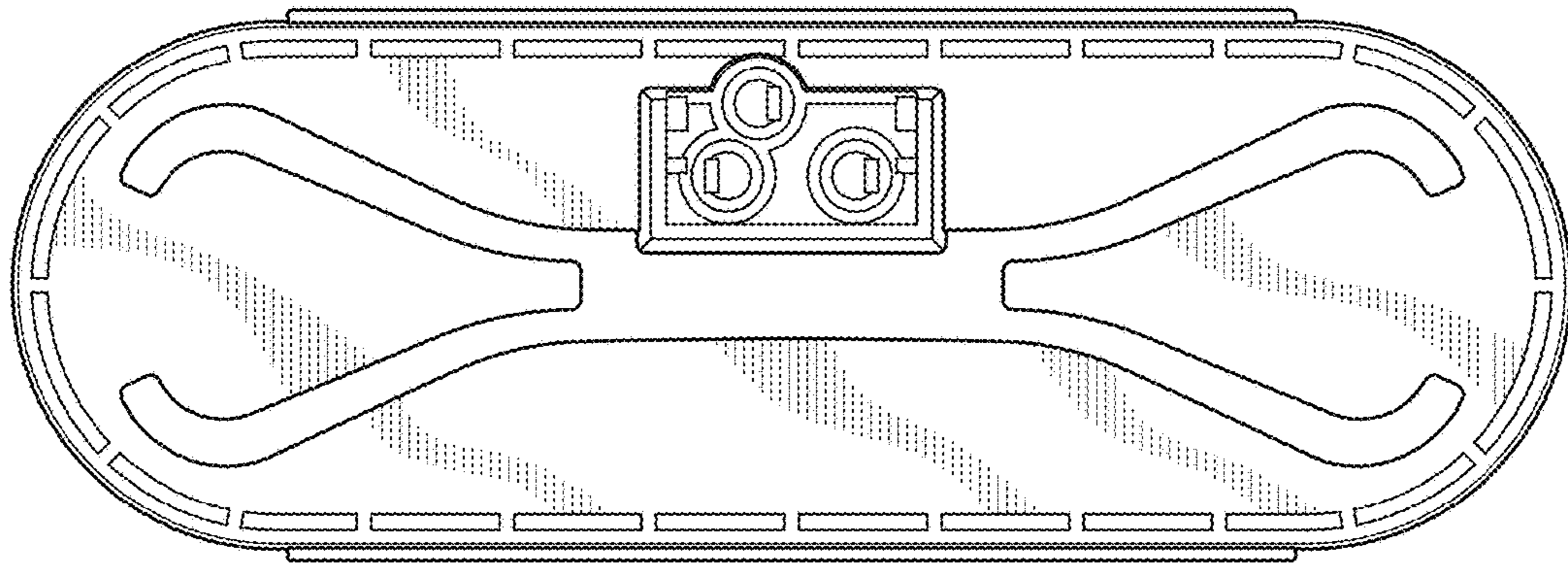


FIG.3

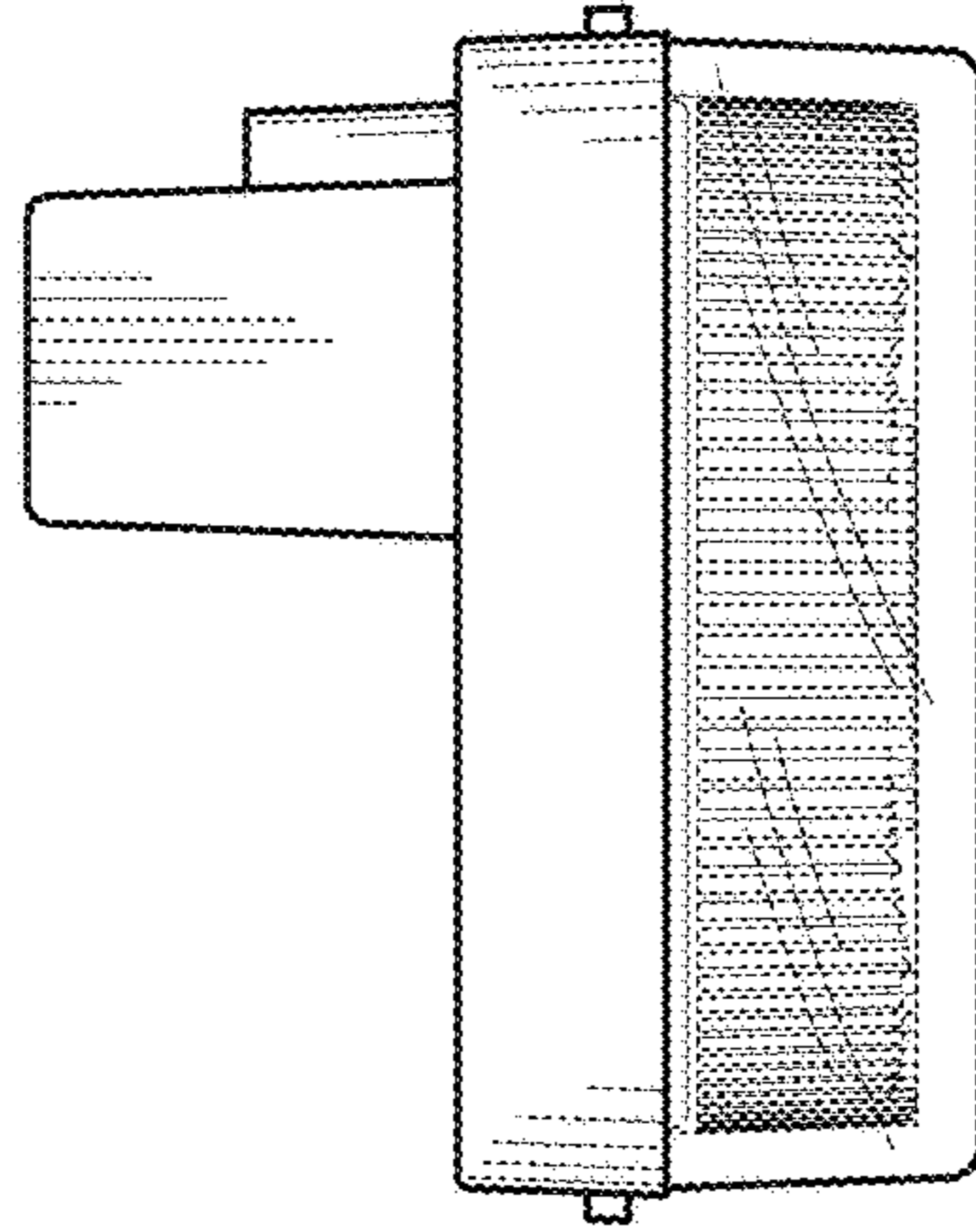


FIG. 4

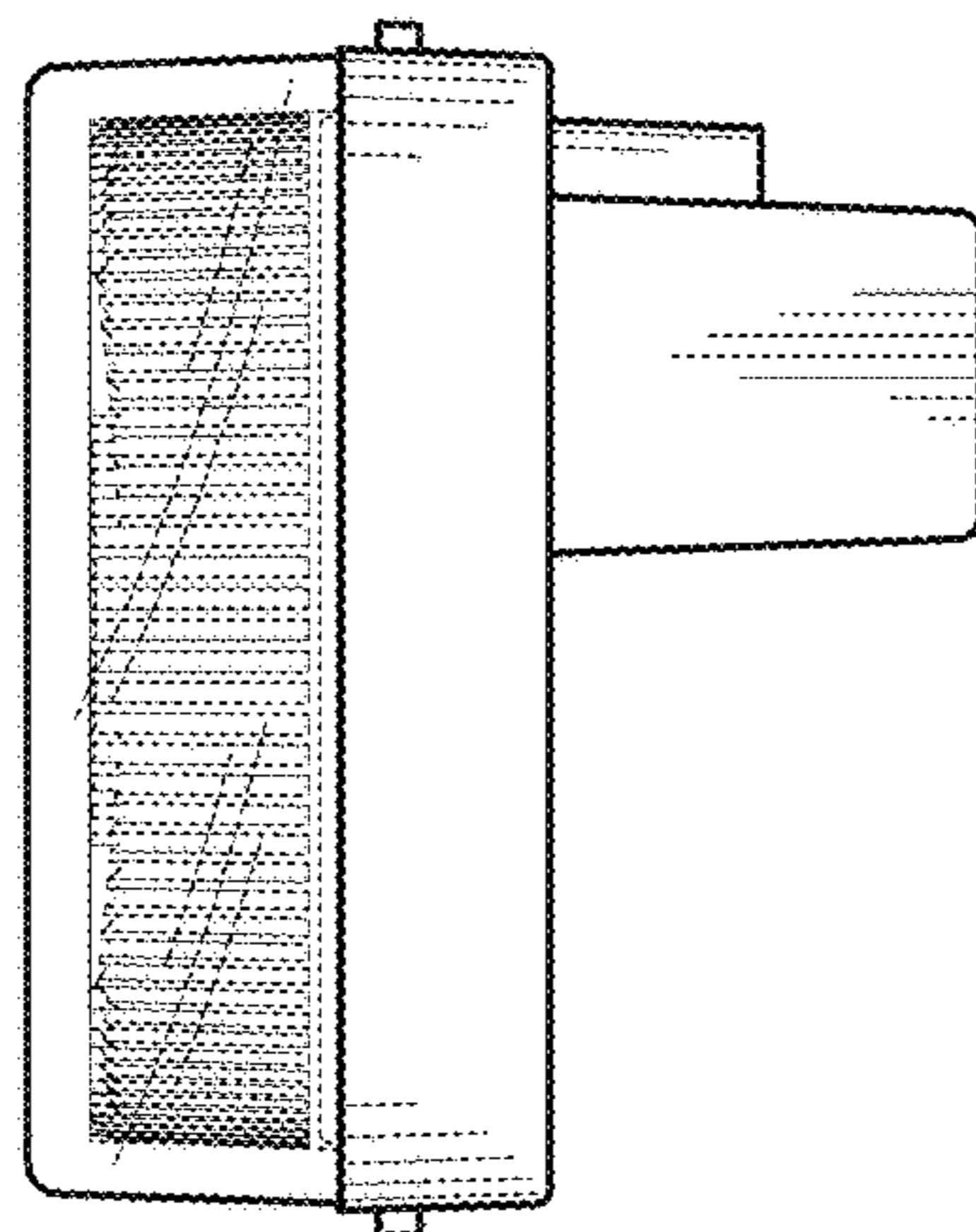


FIG. 5

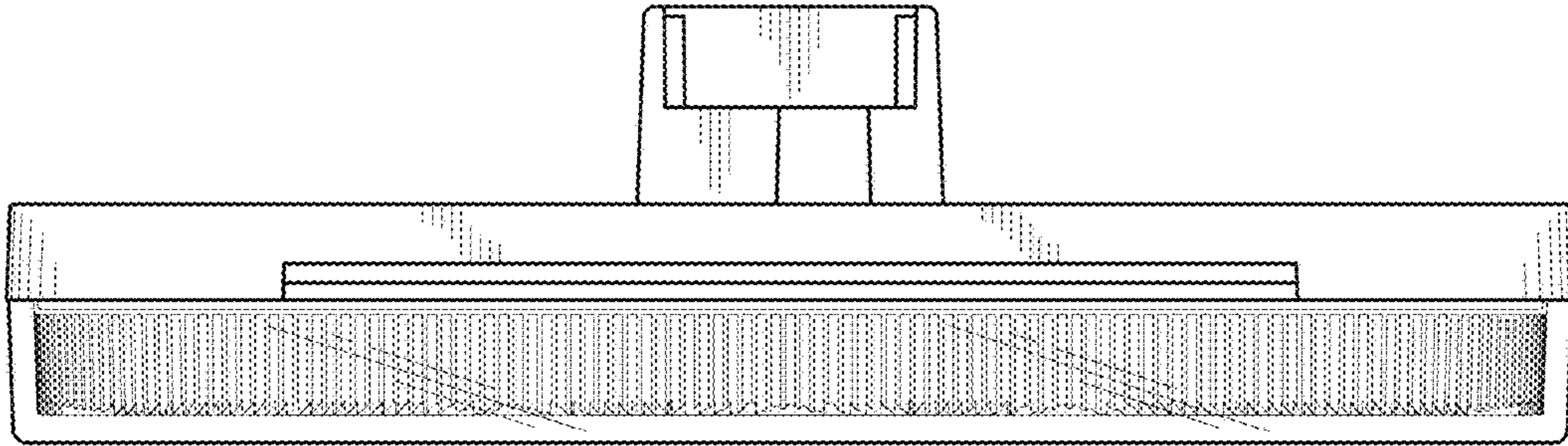


FIG. 6

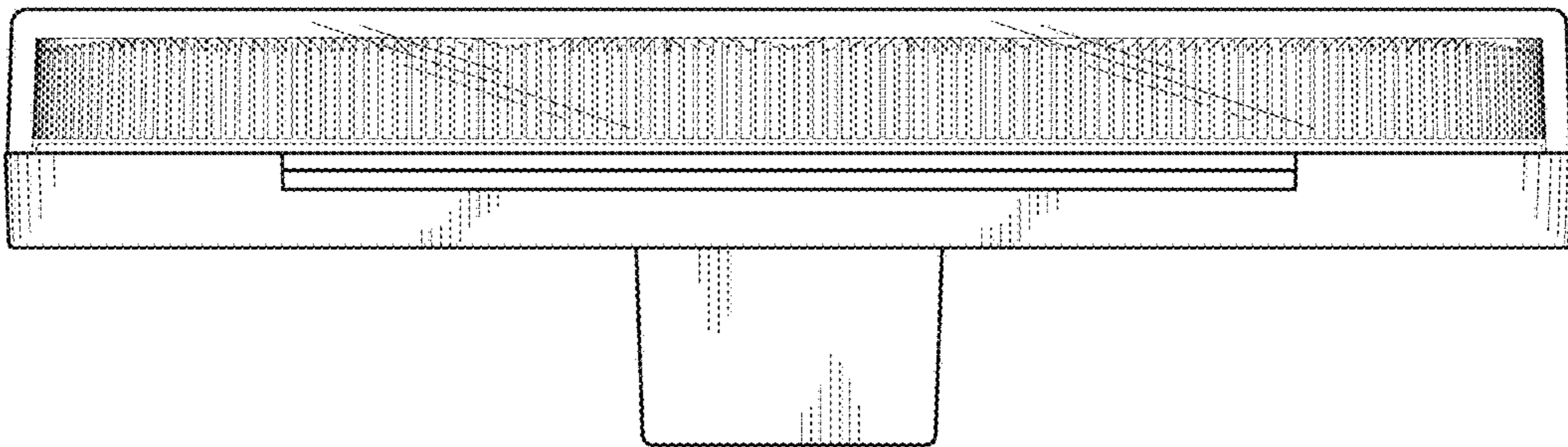


FIG. 7