



US00D804062S

(12) **United States Design Patent** (10) **Patent No.:** **US D804,062 S**  
**Hahn** (45) **Date of Patent:** **\*\* Nov. 28, 2017**

(54) **PORTION OF A LED LIGHT BULB**

2013/0083554 A1 4/2013 Jaster  
2014/0185269 A1 7/2014 Li  
2014/0218892 A1 8/2014 Edwards et al.

(71) Applicant: **Linaya Hahn**, Longmont, CO (US)

(72) Inventor: **Linaya Hahn**, Longmont, CO (US)

FOREIGN PATENT DOCUMENTS

(\*\*) Term: **15 Years**

CN 204420869 6/2015  
WO 2014024063 2/2014  
WO 2015030276 3/2015

(21) Appl. No.: **29/574,551**

\* cited by examiner

(22) Filed: **Aug. 16, 2016**

*Primary Examiner* — Marcus Jackson

(51) **LOC (10) Cl.** ..... **26-04**

(74) *Attorney, Agent, or Firm* — Jason P. Webb; Pearson  
Butler

(52) **U.S. Cl.**

USPC ..... **D26/2**

(58) **Field of Classification Search**

(57) **CLAIM**

USPC ..... D26/1-4; 313/313, 315, 316, 317, 318,  
313/493; 315/52, 53, 56, 57, 58  
CPC ..... H01J 5/00; H01J 5/16; H01J 15/00; H01J  
5/48; H01J 5/50; H01J 19/54; F21V 5/00;  
H01R 5/00; H01R 13/46; H01R 13/514;  
H01R 31/048; H01R 31/02

The ornamental design for a portion of a LED light bulb, as  
shown and described.

See application file for complete search history.

**DESCRIPTION**

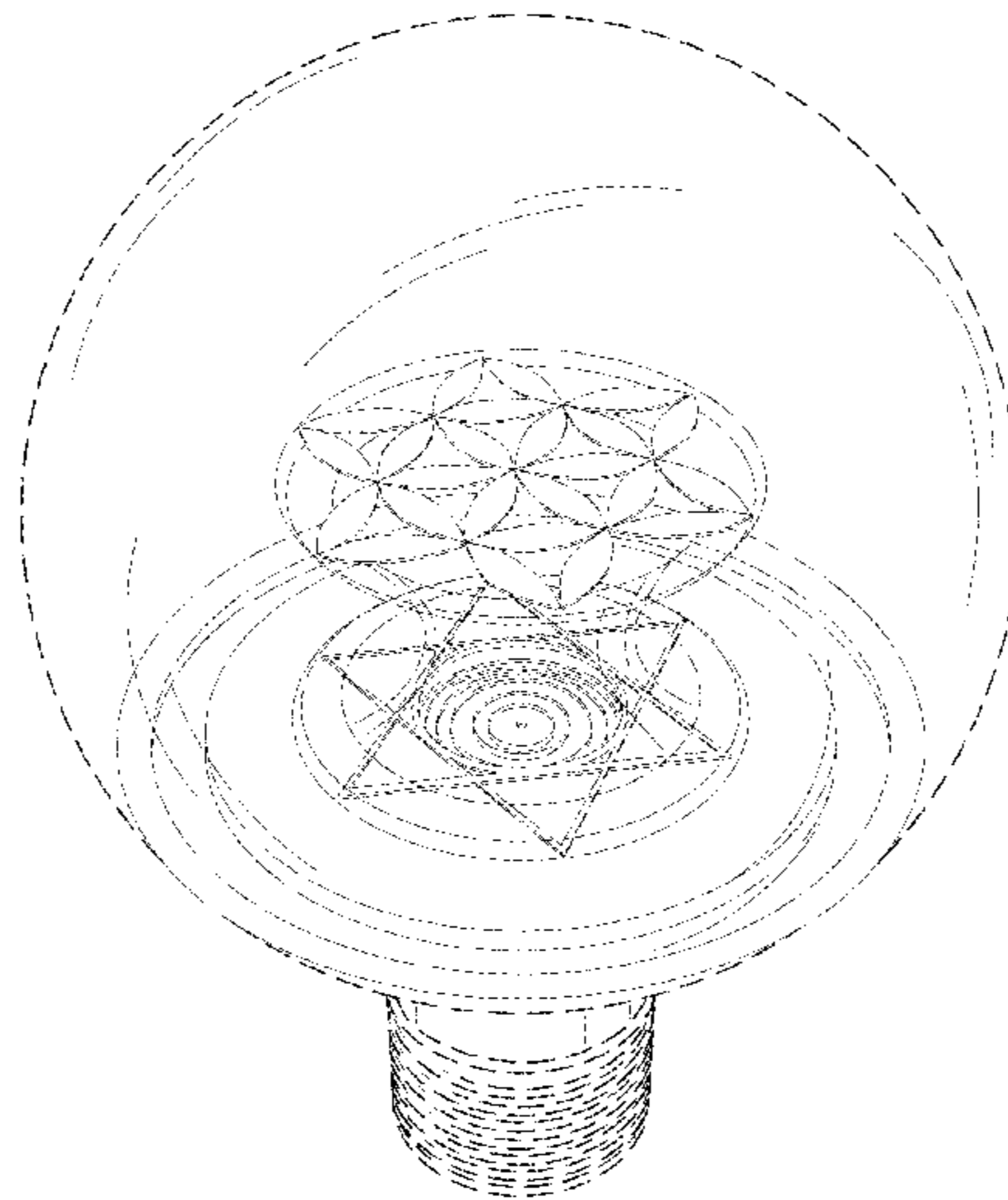
(56) **References Cited**

U.S. PATENT DOCUMENTS

3,757,101 A 9/1973 Semotan  
4,074,164 A 2/1978 Leyendecker  
5,075,823 A 12/1991 Chomyn  
D410,554 S \* 6/1999 Guyton ..... D26/2  
6,019,476 A 2/2000 Kirschner  
D422,099 S \* 3/2000 Kracke ..... D26/2  
6,113,255 A 9/2000 Shalit  
D549,360 S \* 8/2007 An ..... D26/2  
D550,864 S \* 9/2007 Hernandez, Jr. .... D26/2  
7,350,936 B2 4/2008 Ducharme et al.  
D689,215 S \* 9/2013 Xue ..... D26/2  
8,591,069 B2 11/2013 Horn  
2008/0048568 A1 2/2008 Chou et al.  
2012/0091897 A1 4/2012 O et al.  
2012/0161626 A1 6/2012 van de Ven et al.  
2012/0279570 A1 11/2012 Li et al.  
2013/0083539 A1 4/2013 Dimitriadis

FIG. 1 is a perspective view of a first embodiment of a  
portion of a LED light bulb, showing my new design;  
FIG. 2 is a front elevational view of a first embodiment of  
a portion of a LED light bulb, the back elevational view is  
a mirror image thereof;  
FIG. 3 is a left elevational view thereof, the right elevational  
view is a mirror image thereof;  
FIG. 4 is a top plan view thereof;  
FIG. 5 is a bottom plan view thereof;  
FIG. 6 is a perspective view of a second embodiment of a  
portion of a LED light bulb, showing my new design;  
FIG. 7 is a front elevational view of a second embodiment  
of a portion of a LED light bulb, the back, left and right  
elevational views are each a duplicate image thereof;  
FIG. 8 is a top plan view thereof; and,  
FIG. 9 is a bottom plan view thereof.  
The exterior glass and the threaded portion in FIGS. 1-9 are  
shown in broken lines for illustrative purposes only and  
forms no part of the claimed design.

**1 Claim, 9 Drawing Sheets**



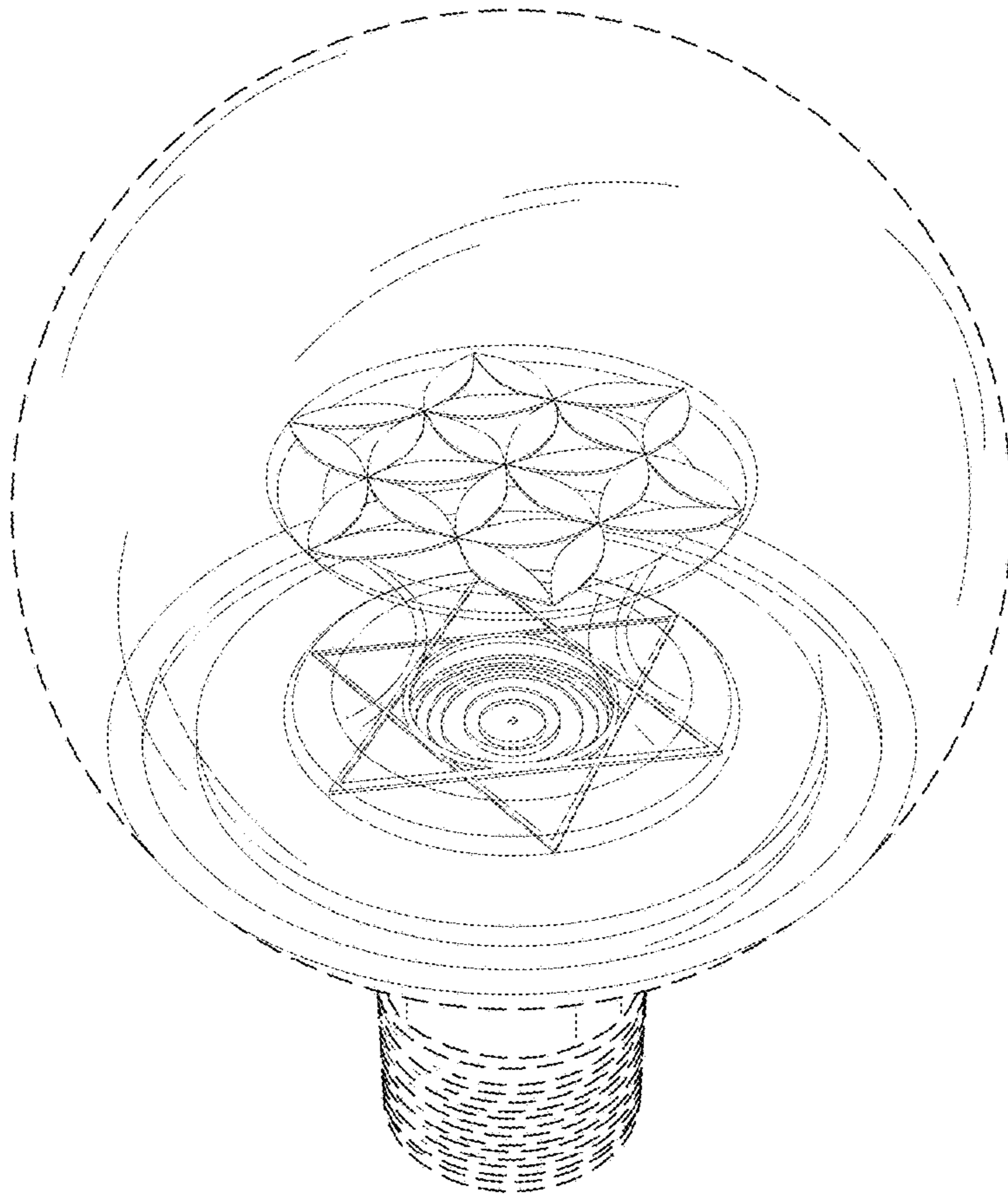


FIG. 1

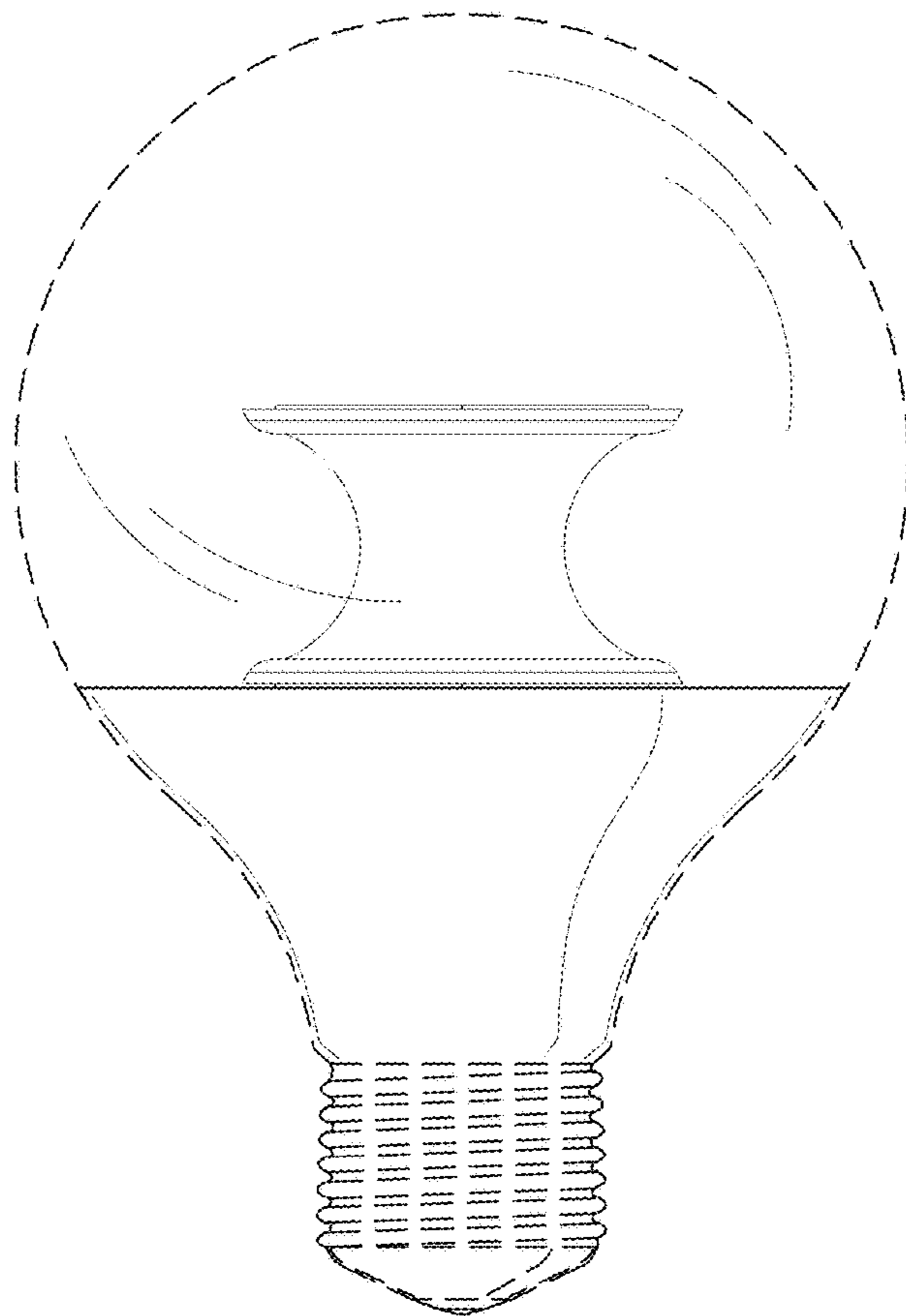


FIG. 2

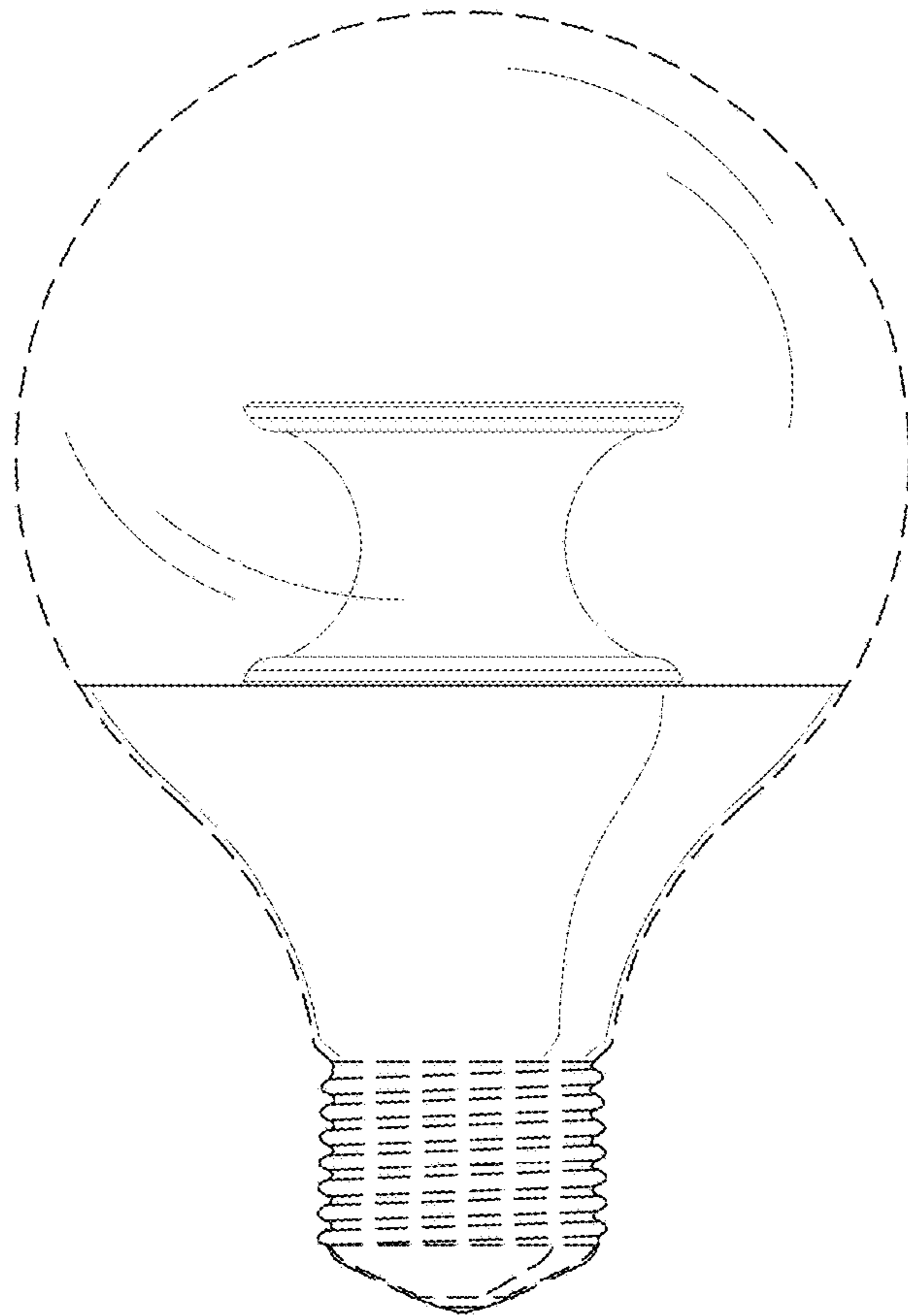


FIG. 3

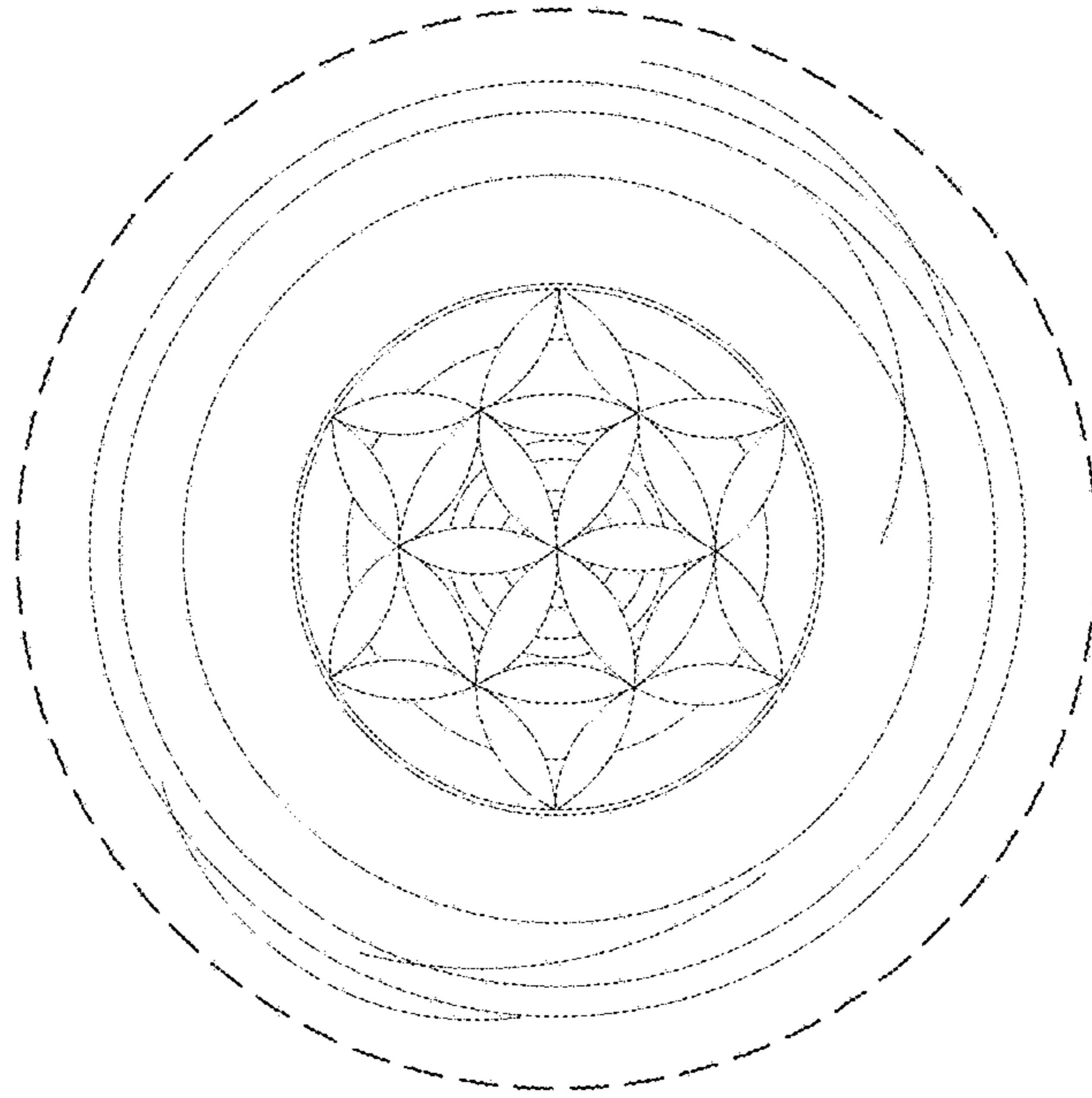


FIG. 4

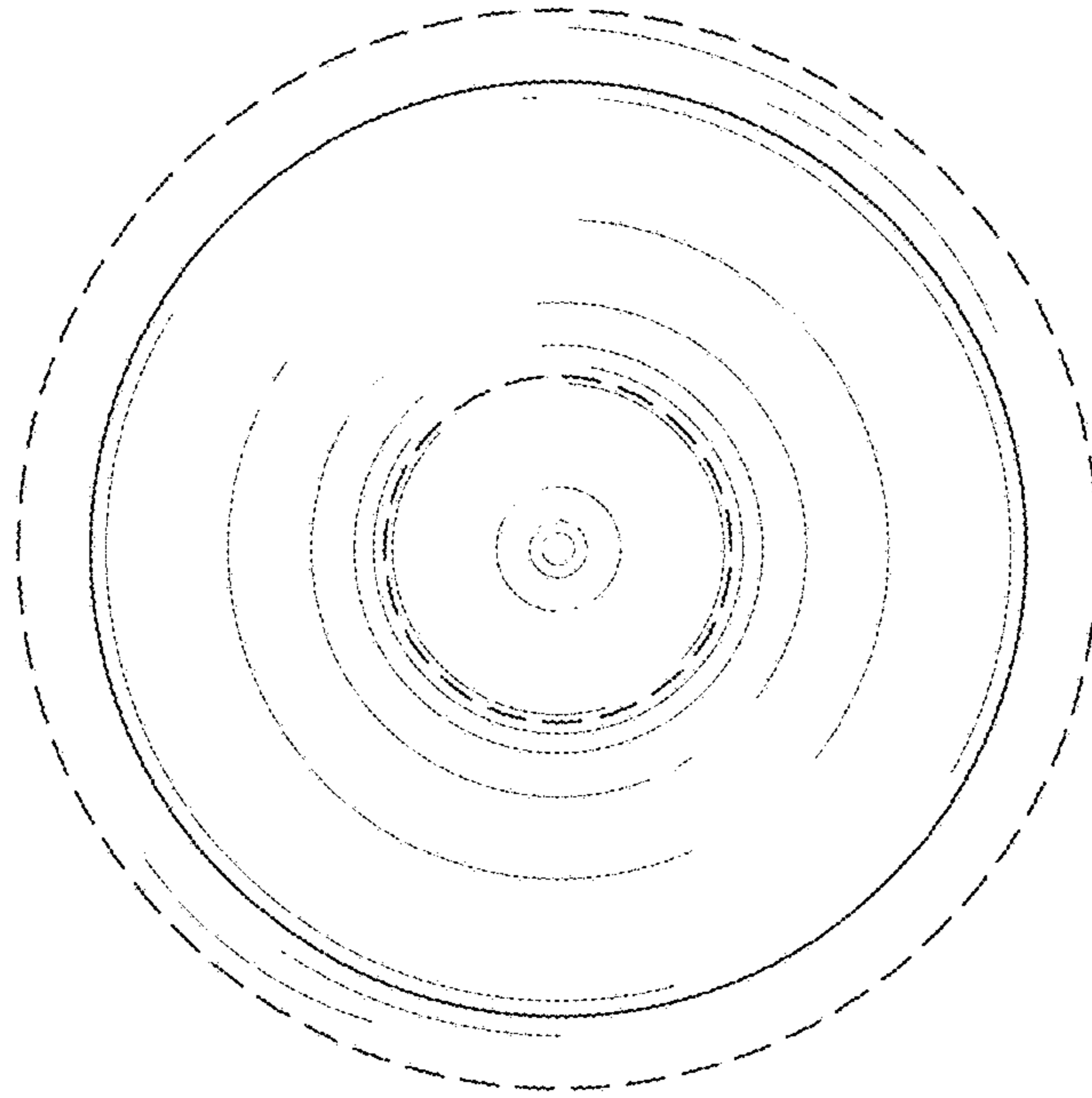


FIG. 5



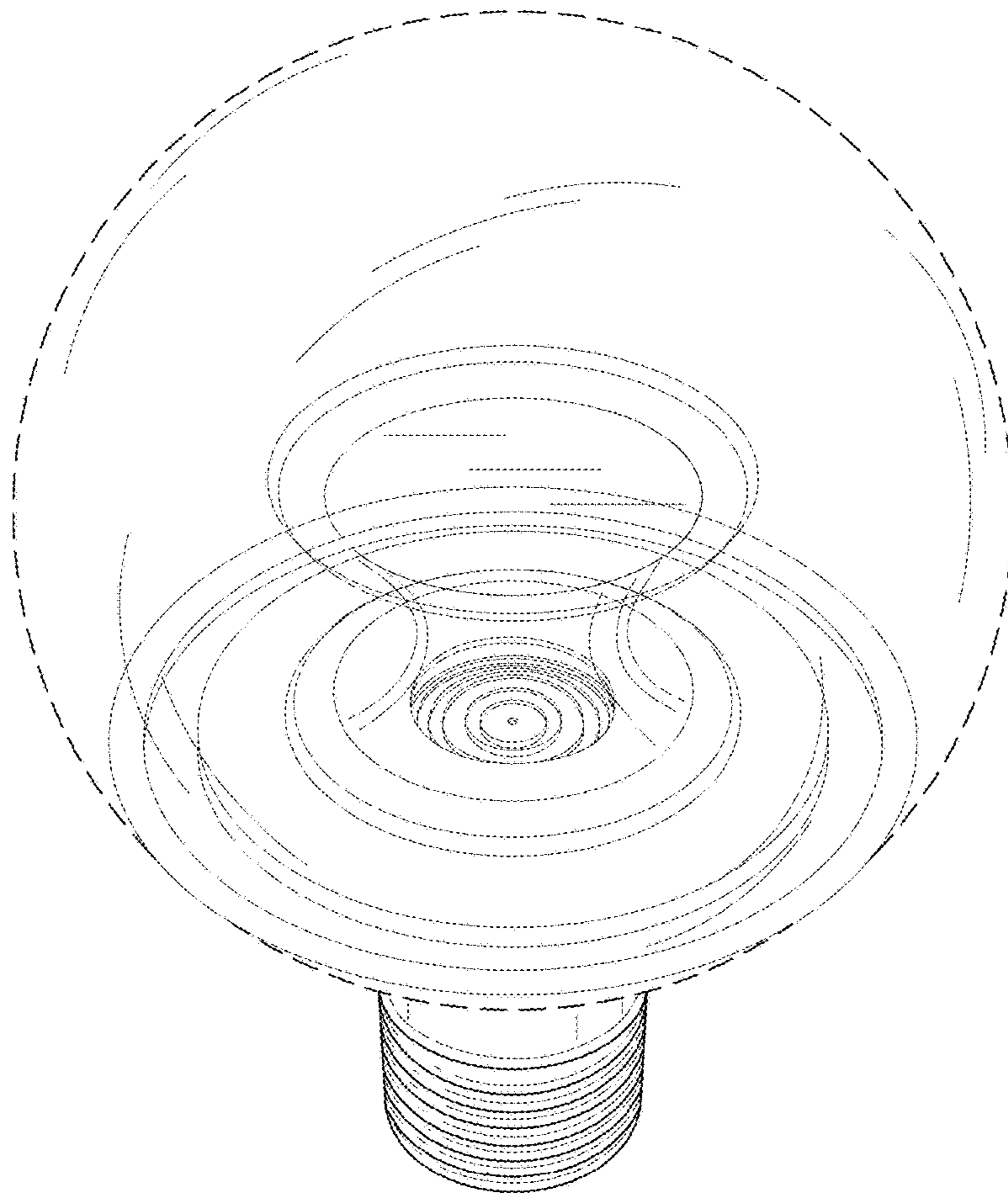


FIG. 6

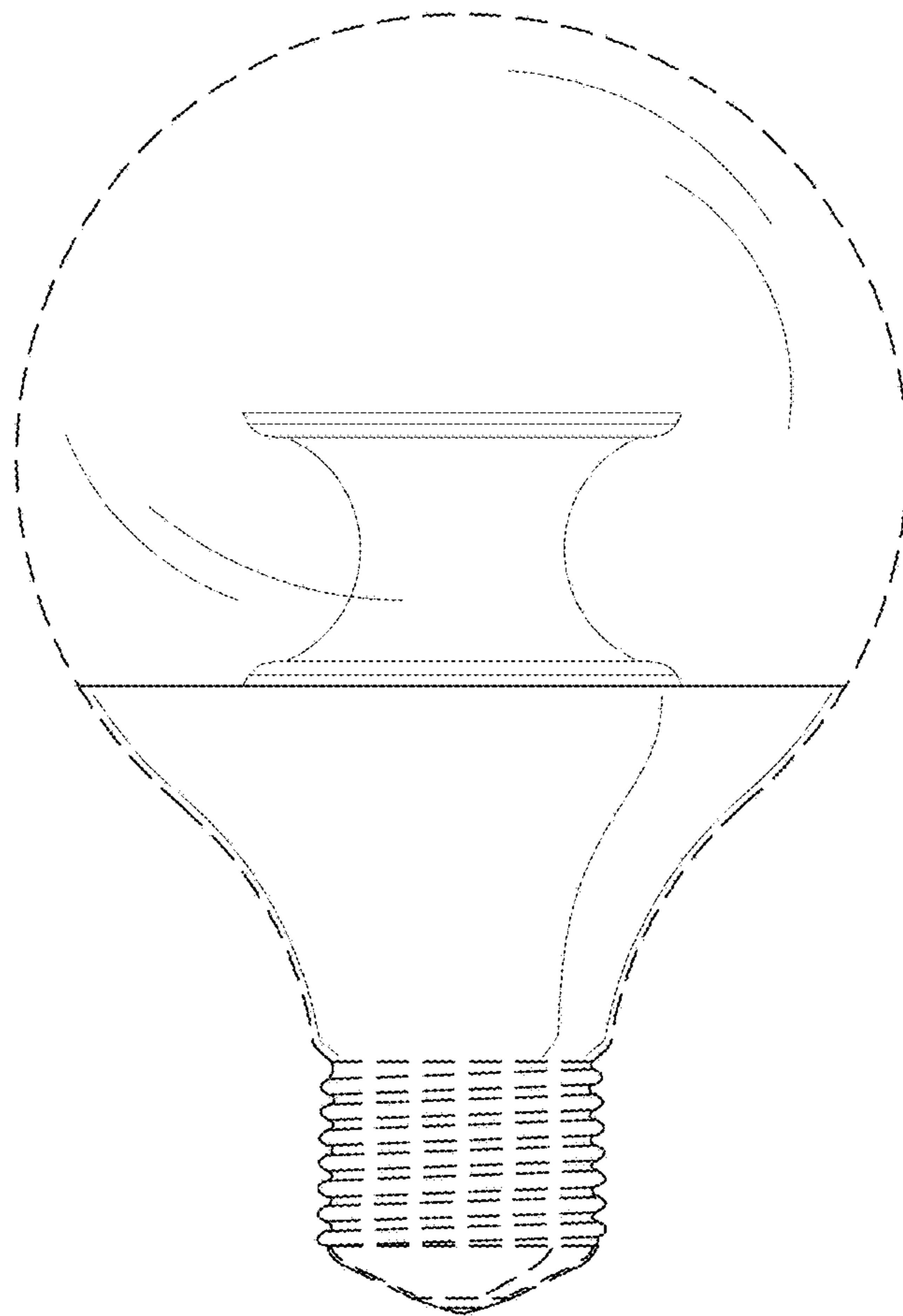


FIG. 7



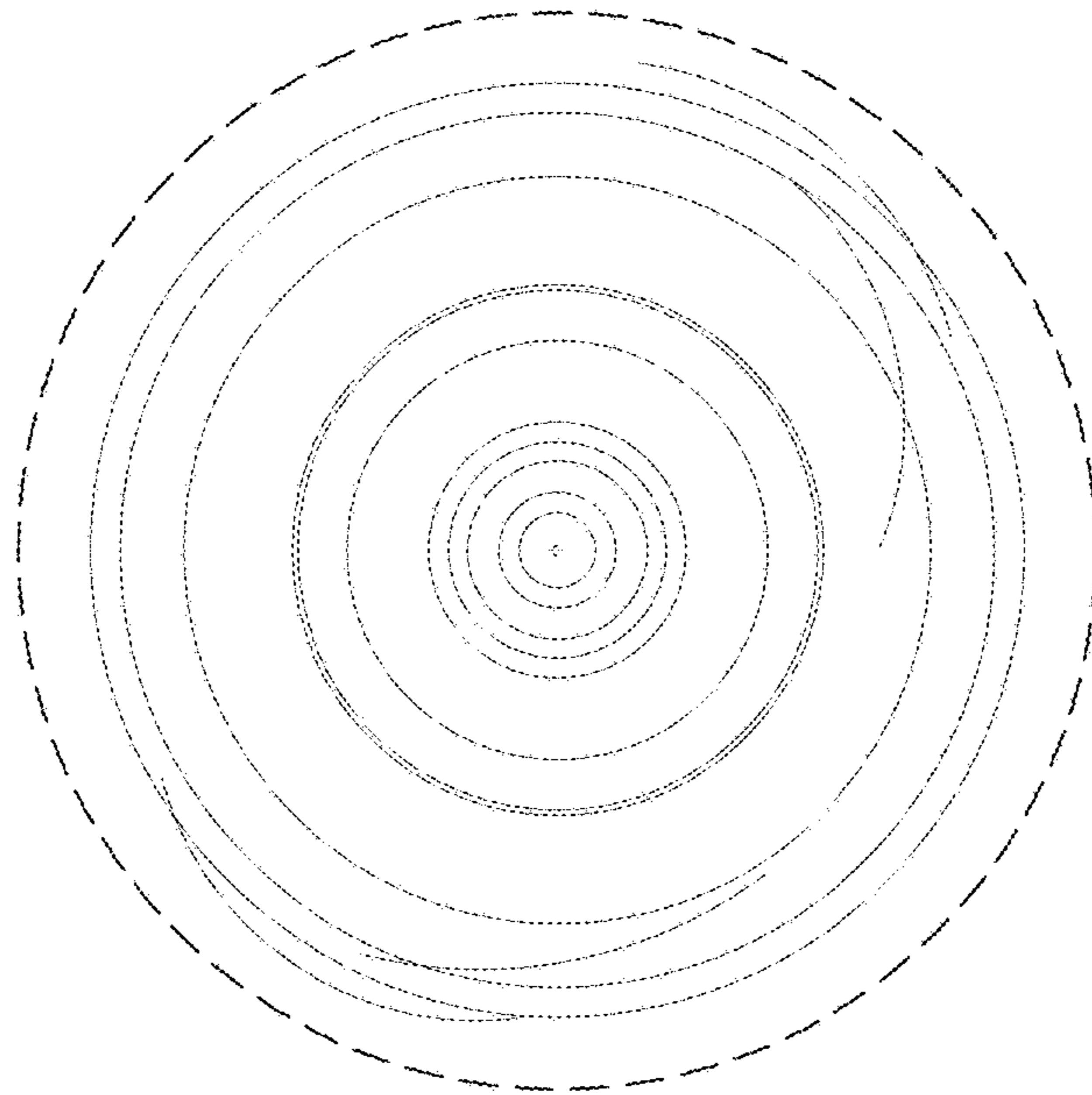


FIG. 8

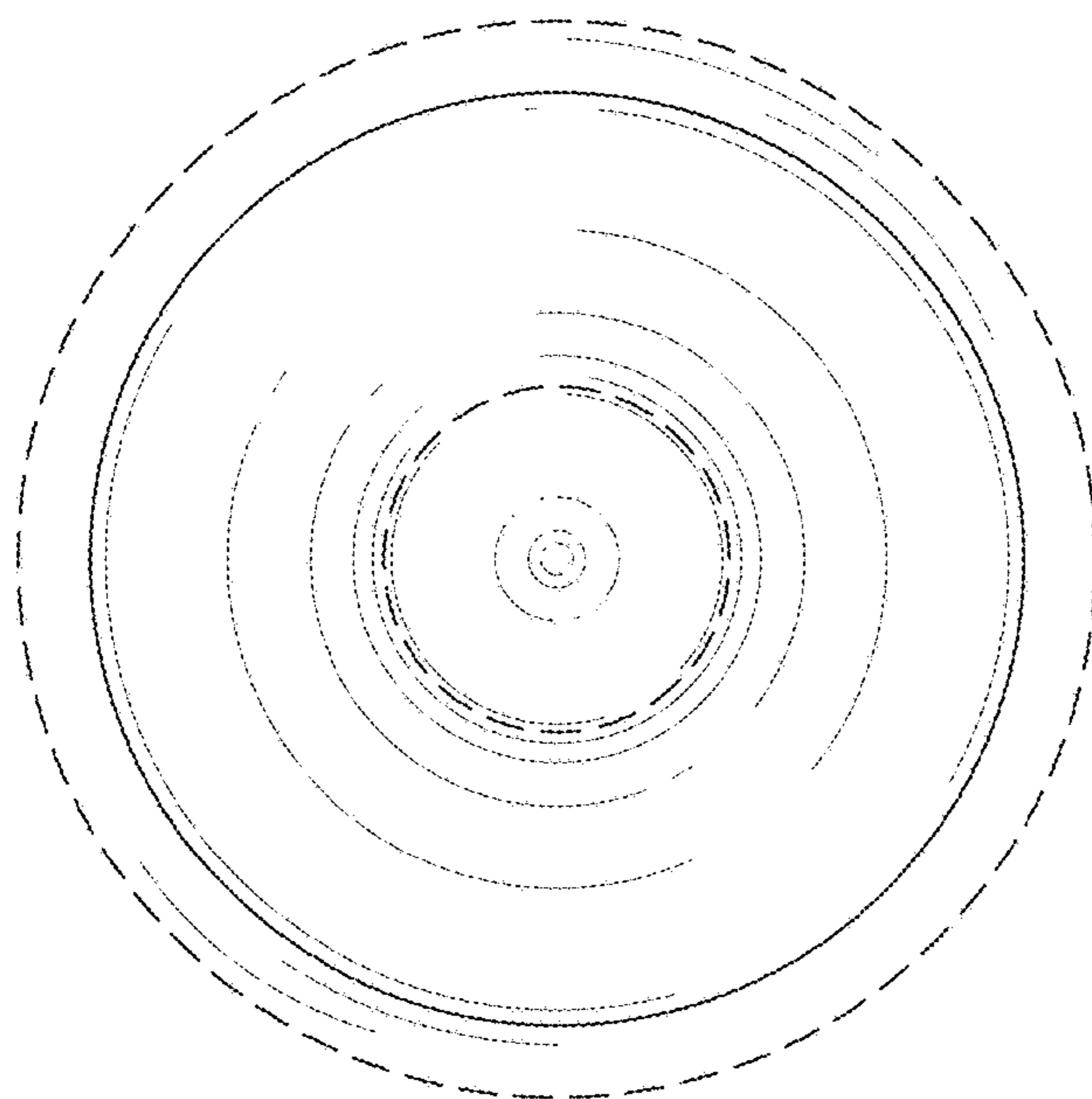


FIG. 9