

US00D804059S

(12) **United States Design Patent**
Labesque et al.

(10) **Patent No.:** **US D804,059 S**

(45) **Date of Patent:** **** Nov. 28, 2017**

(54) **PHOTOVOLTAIC ROOF TILE**

(71) Applicant: **SolarCity Corporation**, San Mateo, CA (US)

(72) Inventors: **Remy Labesque**, San Francisco, CA (US); **Daniel Flanigan**, San Francisco, CA (US); **Jack West**, San Francisco, CA (US); **Brian Atchley**, Petaluma, CA (US); **Brian West**, San Francisco, CA (US); **Charles Almy**, San Francisco, CA (US)

(73) Assignee: **SolarCity Corporation**, San Mateo, CA (US)

(**) Term: **15 Years**

(21) Appl. No.: **29/582,643**

(22) Filed: **Oct. 28, 2016**

(51) **LOC (10) Cl.** **25-01**

(52) **U.S. Cl.**
USPC **D25/139; D13/102**

(58) **Field of Classification Search**
USPC D6/300, 310, 314; D8/354; D13/101, D13/102, 103, 118, 119, 184, 199; D21/494; D25/57, 139, 180, 141, 143, D25/144
CPC H01L 31/00; H02S 10/00; H02S 20/00; Y02B 10/00; Y02E 10/00; Y02E 10/40; Y02E 10/41; Y02E 10/42; Y02E 10/43; Y02E 10/44; Y02E 10/45; Y02E 10/46; Y02E 10/47; Y02E 10/50; Y02E 10/51; Y02E 10/52

See application file for complete search history.

(56) **References Cited**

U.S. PATENT DOCUMENTS

D354,520 S * 1/1995 Pong D19/88
5,986,203 A 11/1999 Hanoka et al.

(Continued)

OTHER PUBLICATIONS

Solar Power Photovoltaic Tile, posted at Designweneed.com, posted on Jan. 16, 2014, [online], [site visited Jul. 25, 2017]. Available from Internet, <<http://www.designweneed.com/solar-power-photovoltaic-tile/>>.*

(Continued)

Primary Examiner — Thomas Johannes

Assistant Examiner — Catherine Ho

(74) *Attorney, Agent, or Firm* — Sterne, Kessler, Goldstein & Fox P.L.L.C.

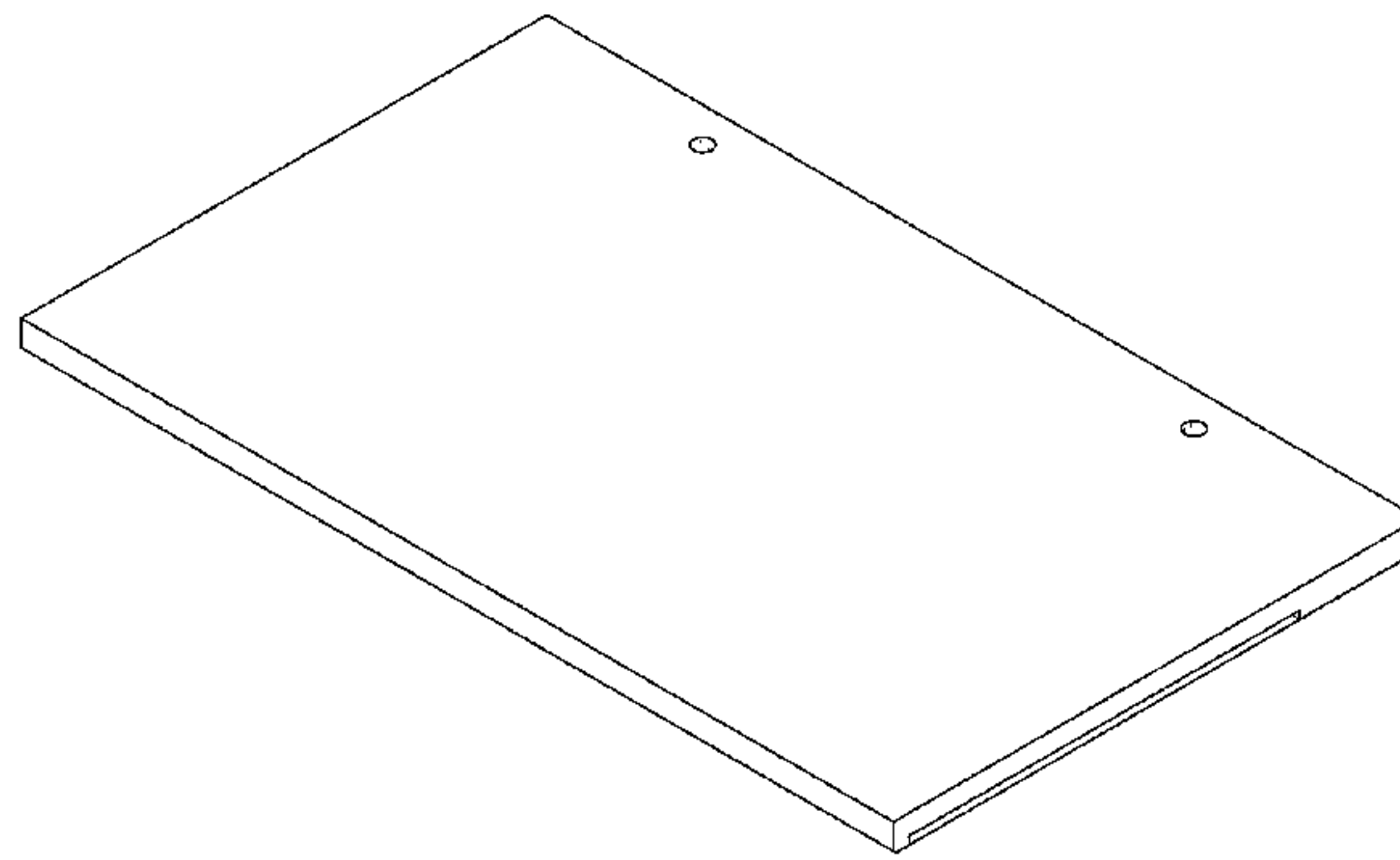
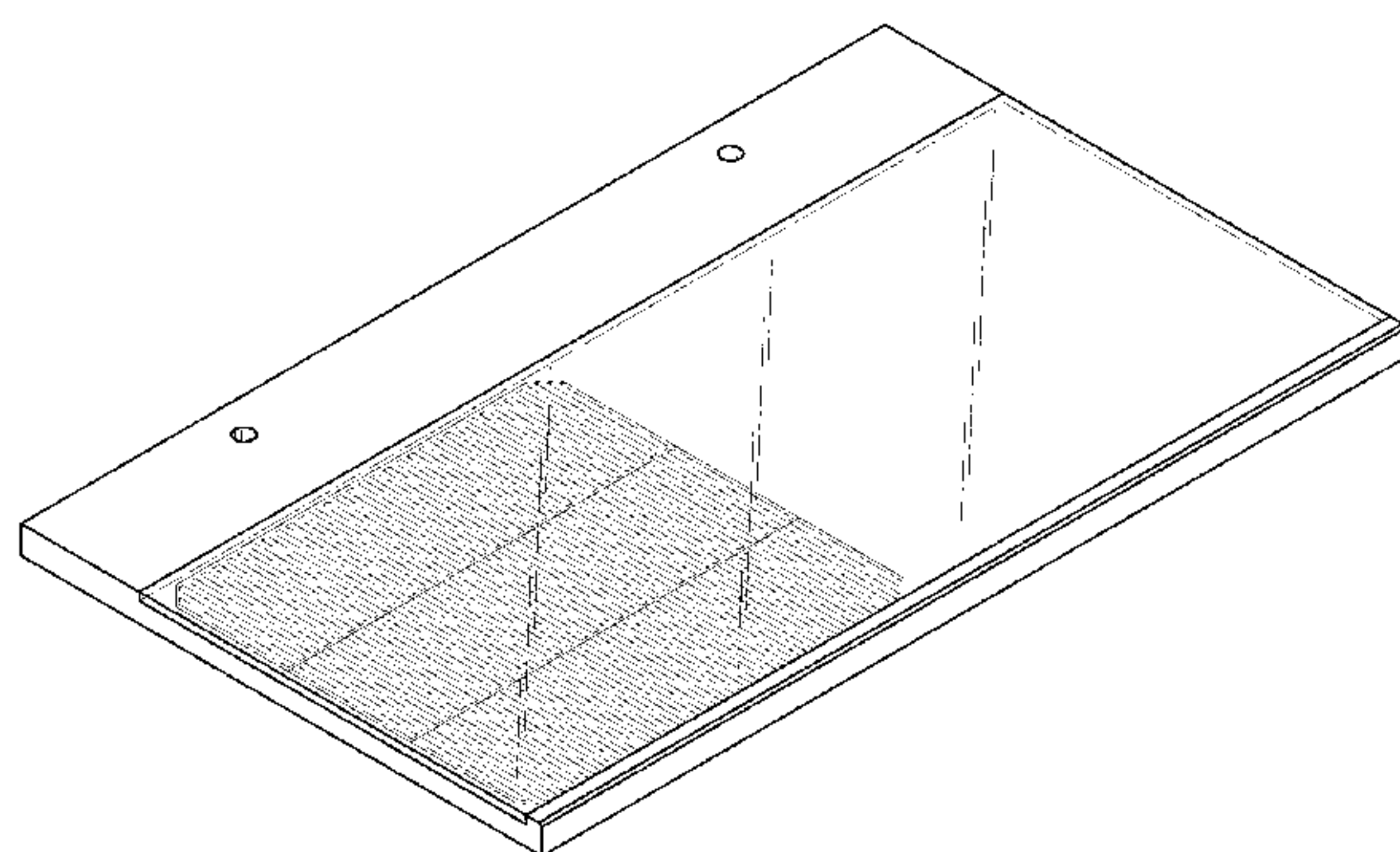
(57) **CLAIM**

The ornamental design for a photovoltaic roof tile, as shown and described.

DESCRIPTION

FIG. 1 is a bottom front perspective view of a photovoltaic roof tile showing the claimed design; FIG. 2 is a bottom rear perspective view thereof; FIG. 3 is a front view thereof; FIG. 4 is a rear view thereof; FIG. 5 is a left side view thereof; FIG. 6 is a right side view thereof; FIG. 7 is a bottom view thereof; FIG. 8 is a top view thereof; FIG. 9 is a bottom front perspective view of another photovoltaic roof tile showing the claimed design; FIG. 10 is a bottom rear perspective view thereof; FIG. 11 is a front view thereof; FIG. 12 is a rear view thereof; FIG. 13 is a left side view thereof; FIG. 14 is a right side view thereof; FIG. 15 is a bottom view thereof; and, FIG. 16 is a top view thereof. The oblique shade lines in the figures show transparency or translucency.

1 Claim, 12 Drawing Sheets



(56)

References Cited

U.S. PATENT DOCUMENTS

5,990,414 A * 11/1999 Posnansky H01L 31/048
 136/244
 D449,897 S * 10/2001 Croft D25/139
 D452,081 S * 12/2001 Rowan D6/300
 6,856,496 B1 2/2005 Mucci et al.
 D545,574 S * 7/2007 Mischel, Jr. D6/300
 D572,843 S * 7/2008 Berry D25/139
 D581,681 S * 12/2008 Goolrick D6/314
 7,713,089 B2 5/2010 Faust et al.
 D620,718 S * 8/2010 Mischel, Jr. D6/300
 D643,467 S * 8/2011 Yi D20/15
 8,476,523 B2 7/2013 Bennett
 9,166,523 B2 10/2015 Kiik et al.
 9,169,646 B2 10/2015 Rodrigues et al.
 D787,597 S * 5/2017 Kang D20/27
 2015/0180408 A1* 6/2015 Pisklak G01R 31/026
 136/244
 2015/0194551 A1* 7/2015 Crist H01L 31/0504
 136/244
 2017/0192462 A1* 7/2017 Kim B32B 7/12

OTHER PUBLICATIONS

Are Solar Shingles Right for Your Home, posted at Planetmattersandmore.com, posted on Sep. 9, 2015, [online], [site visited Jul. 25, 2017]. Available from Internet, <<http://planetmattersandmore.com/tag/cost-of-solar-shingles/>>.*
 BIPV: Building-integrated Photovoltaics, posted at Solarchoice.net.au, posted on Apr. 1, 2011, [online], [site visited Jul. 25, 2017]. Available from Internet, <<https://www.solarchoice.net.au/blog/bipv-building-integrated-photovoltaics-the-future-of-pv/>>.*
 Tractile, posted at Tractile.com.au, posted on Feb. 27, 2015, [online], [site visited Jul. 25, 2017]. Available from Internet, <<https://web.archive.org/web/20150227131819/http://tractile.com.au/TractileProducts/TractileSolarBIPV-TRoofTiles.aspx>>.*
 ArchiExpo, "PV roof tiles," (<http://www.archiexpo.com/architecture-design-manufacturer/pv-roof-tile-1665.html>). retrieved Feb. 9, 2017, 9 pages.
 Designboom, "SolTech energy: crystalline solar panel roofing system," (<http://www.designboom.com/technology/soltech-energy-crystalline-solar-panel-roofing-system>), retrieved Feb. 9, 2017, 6 pages.

* cited by examiner

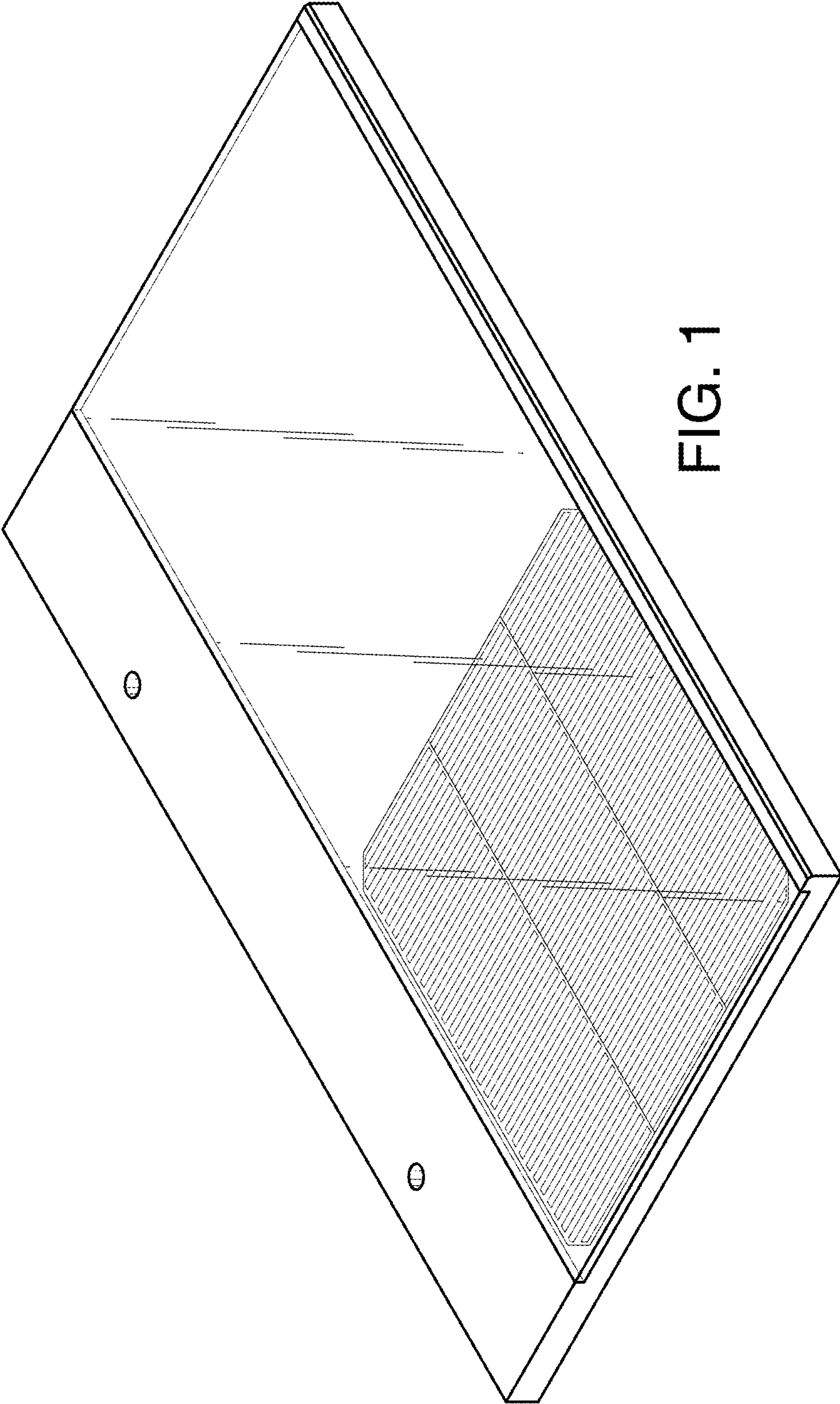


FIG. 1

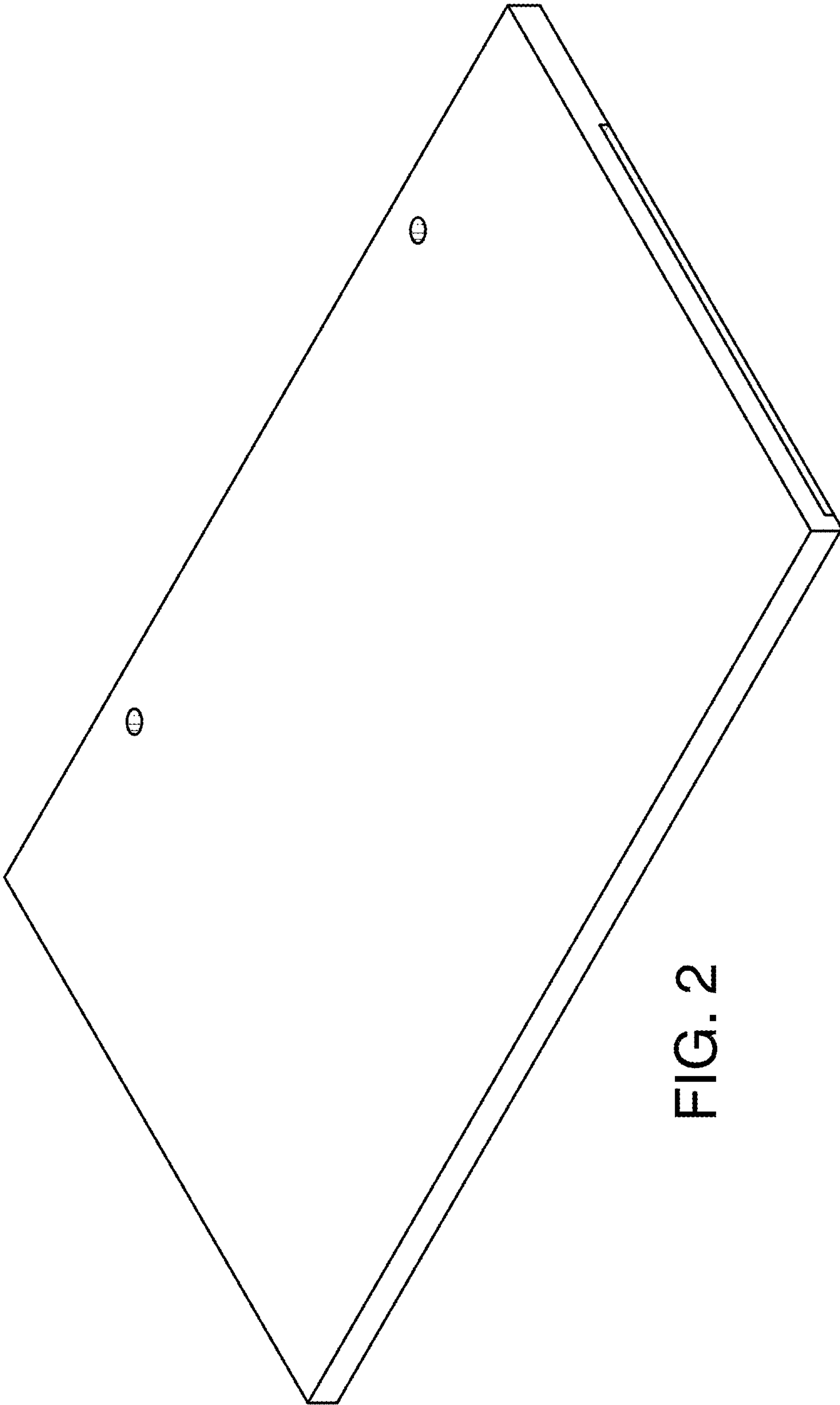


FIG. 2

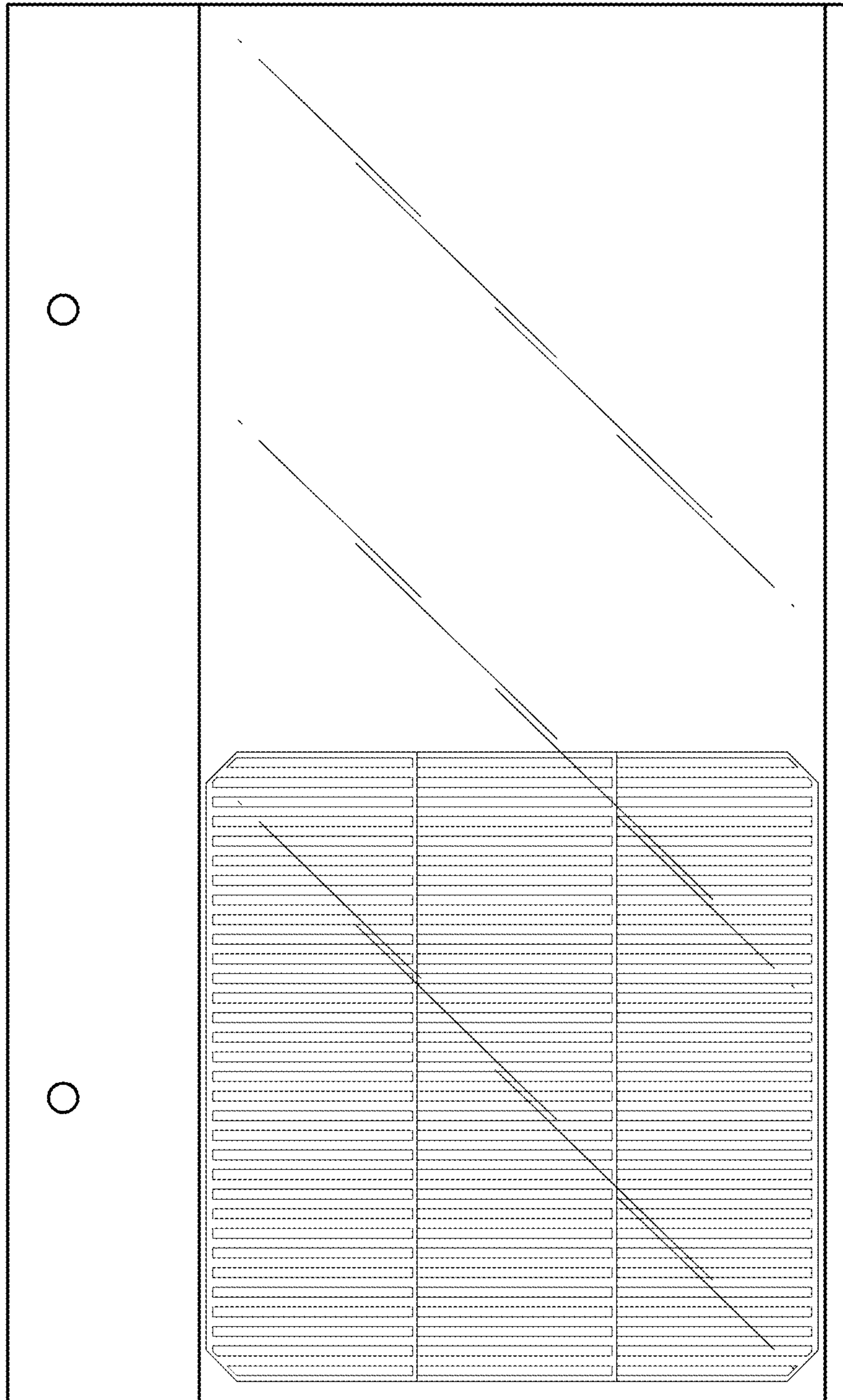


FIG. 3

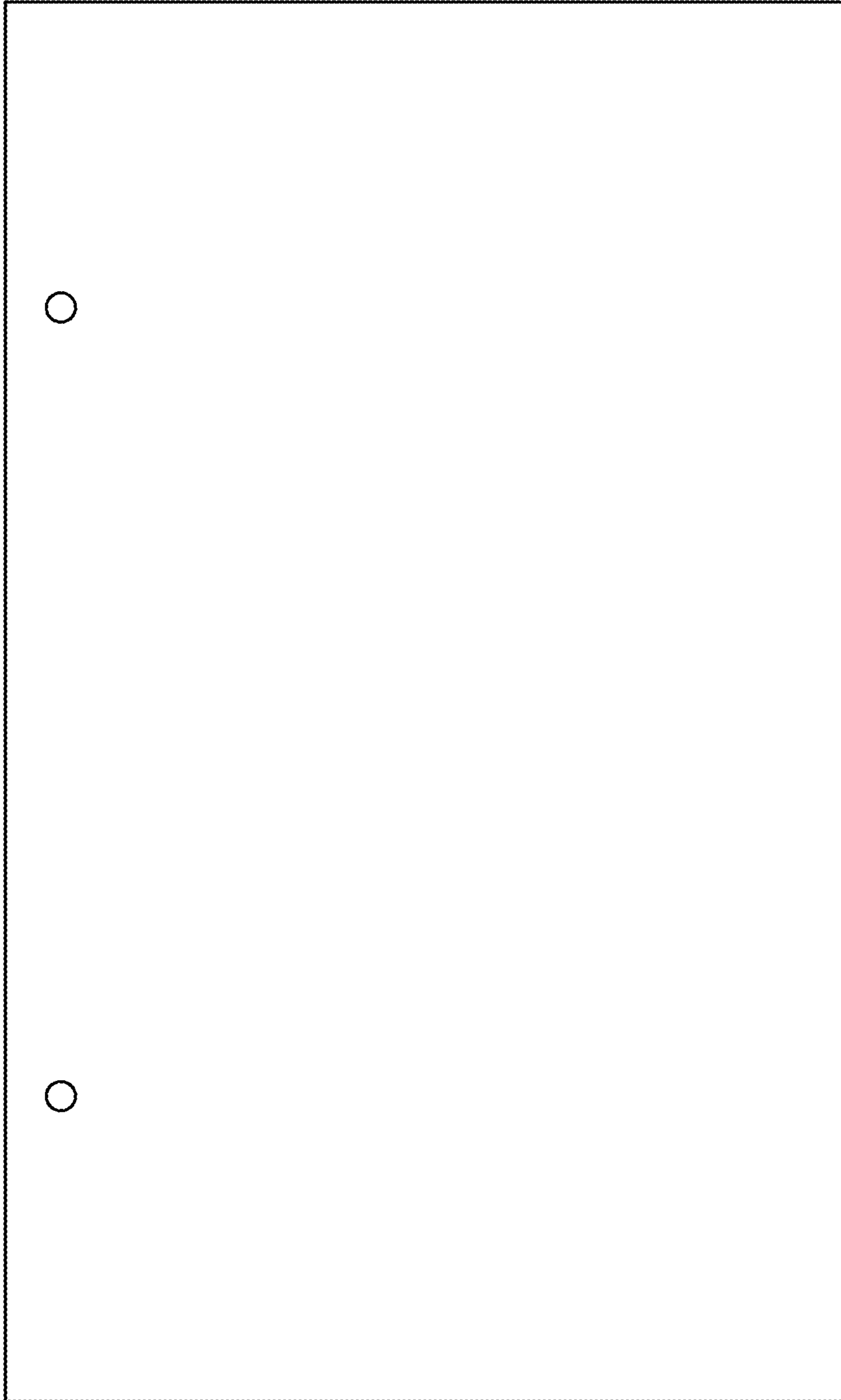


FIG. 4



FIG. 5



FIG. 6



FIG. 7

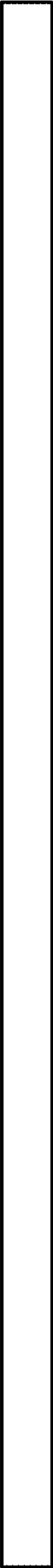


FIG. 8

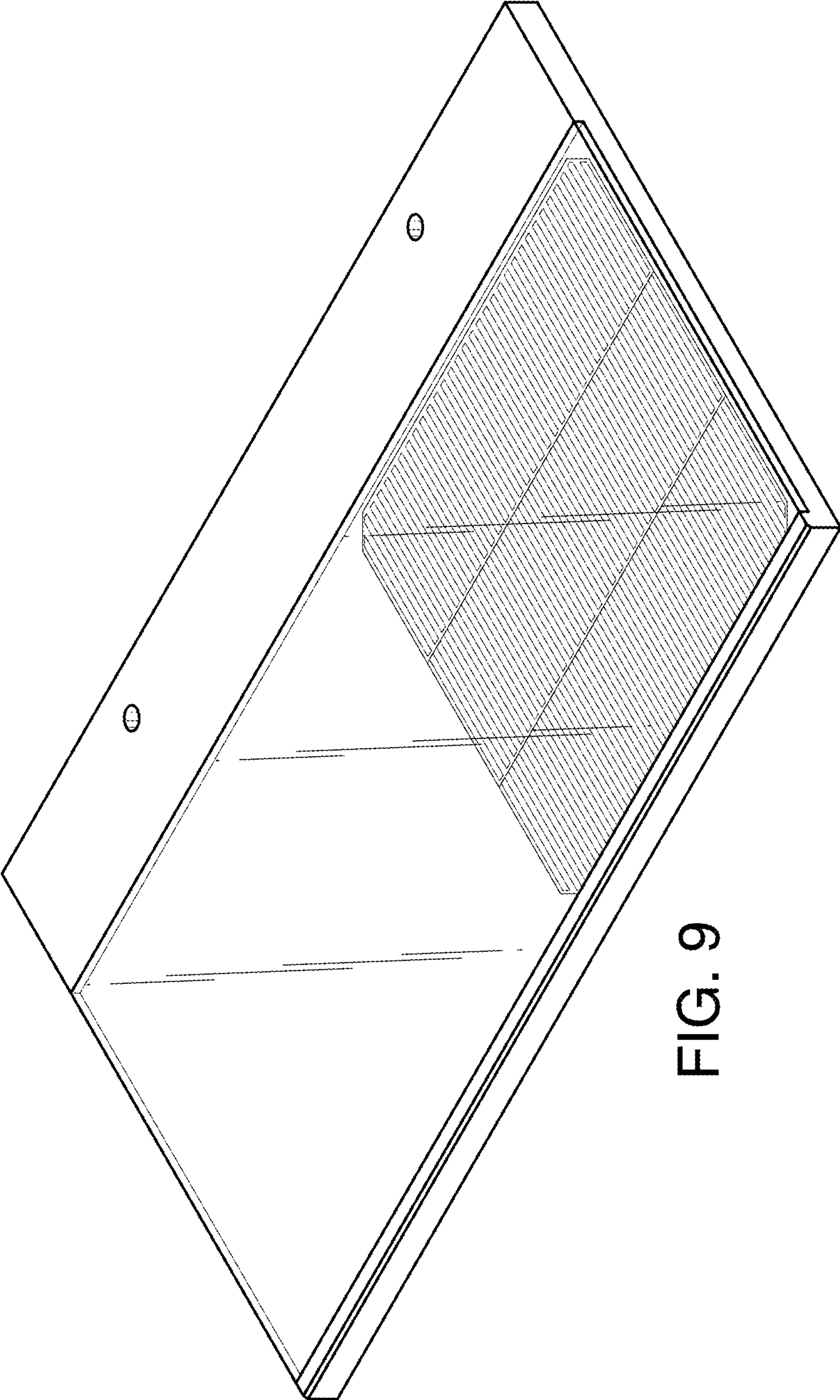


FIG. 9

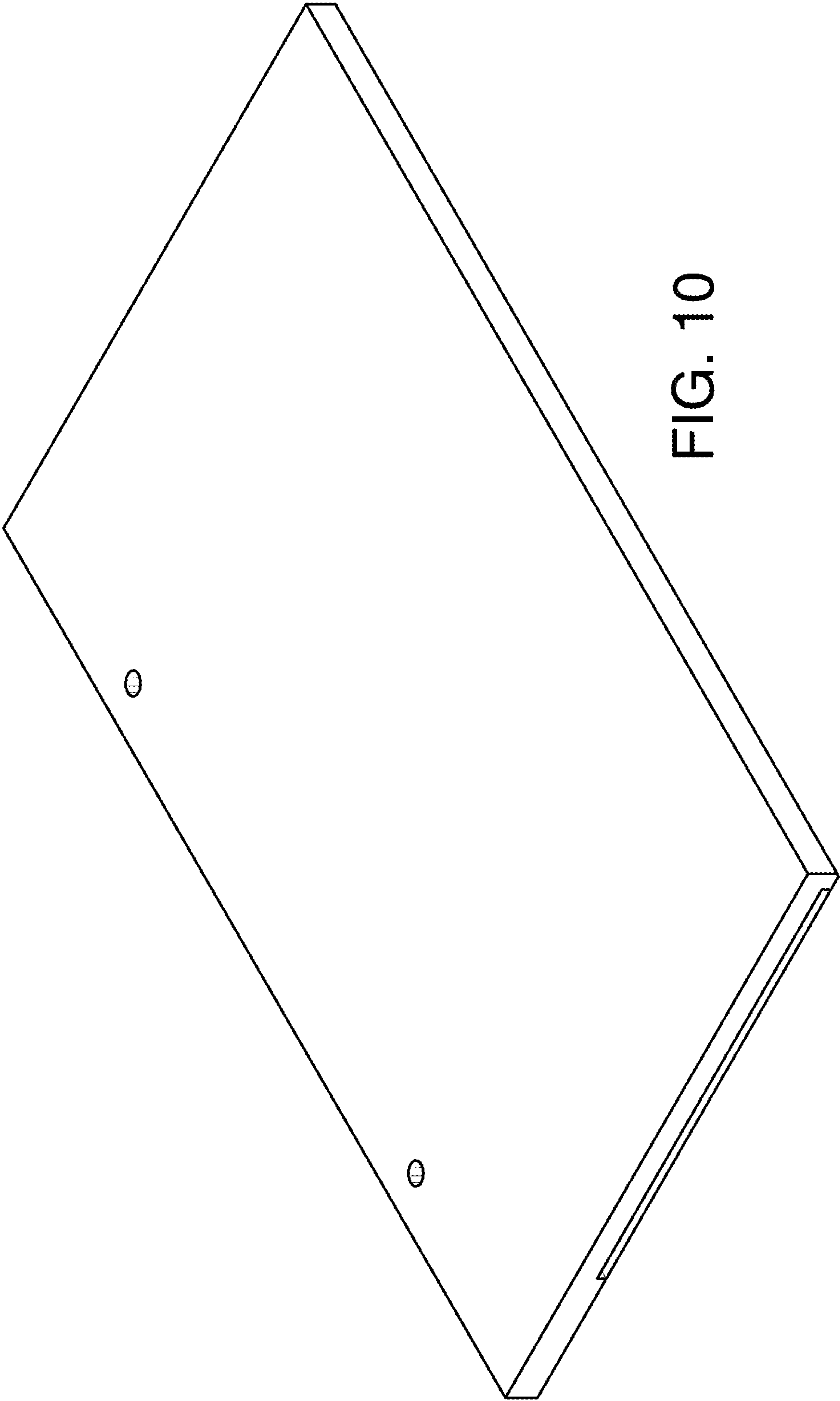


FIG. 10

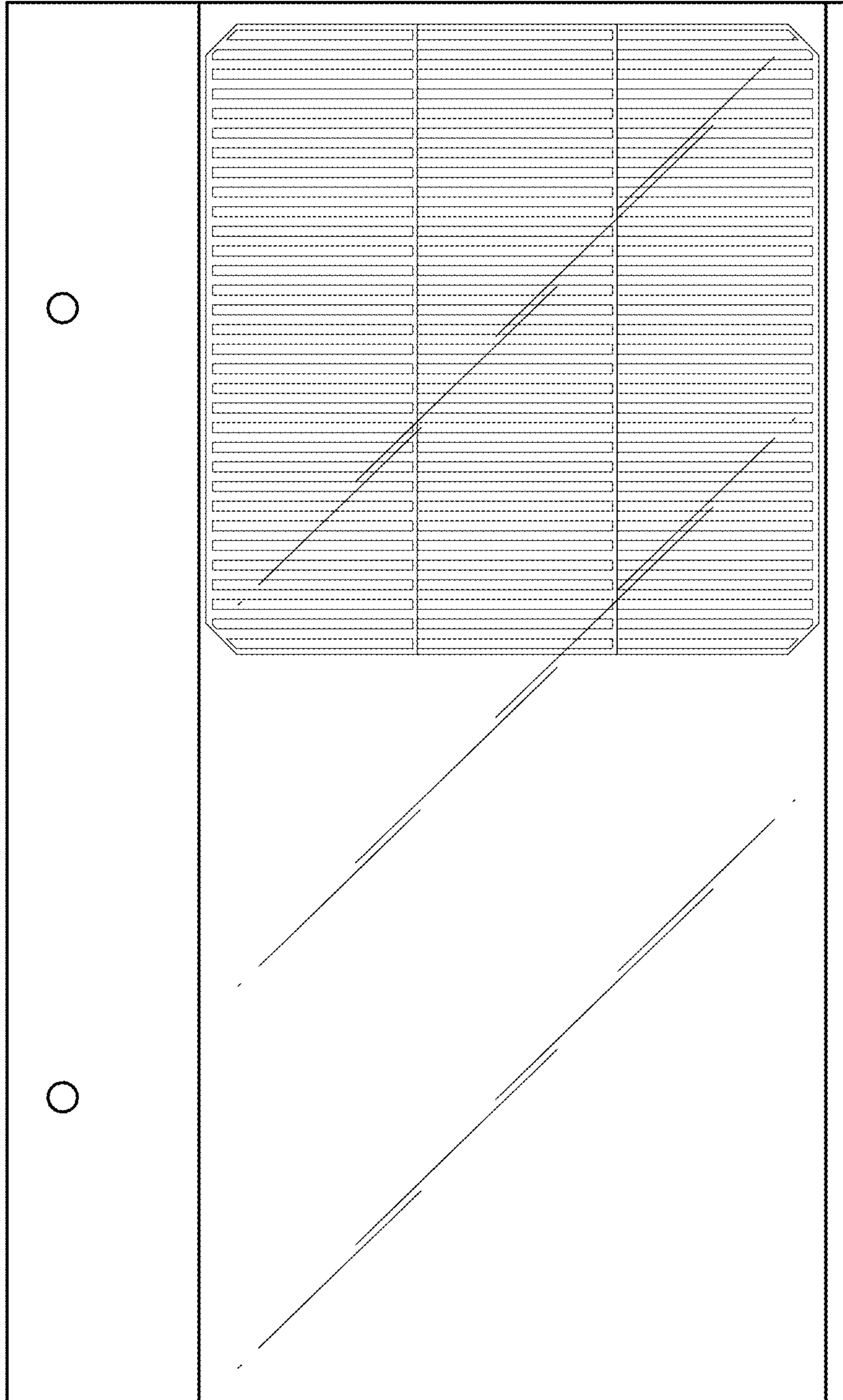


FIG. 11

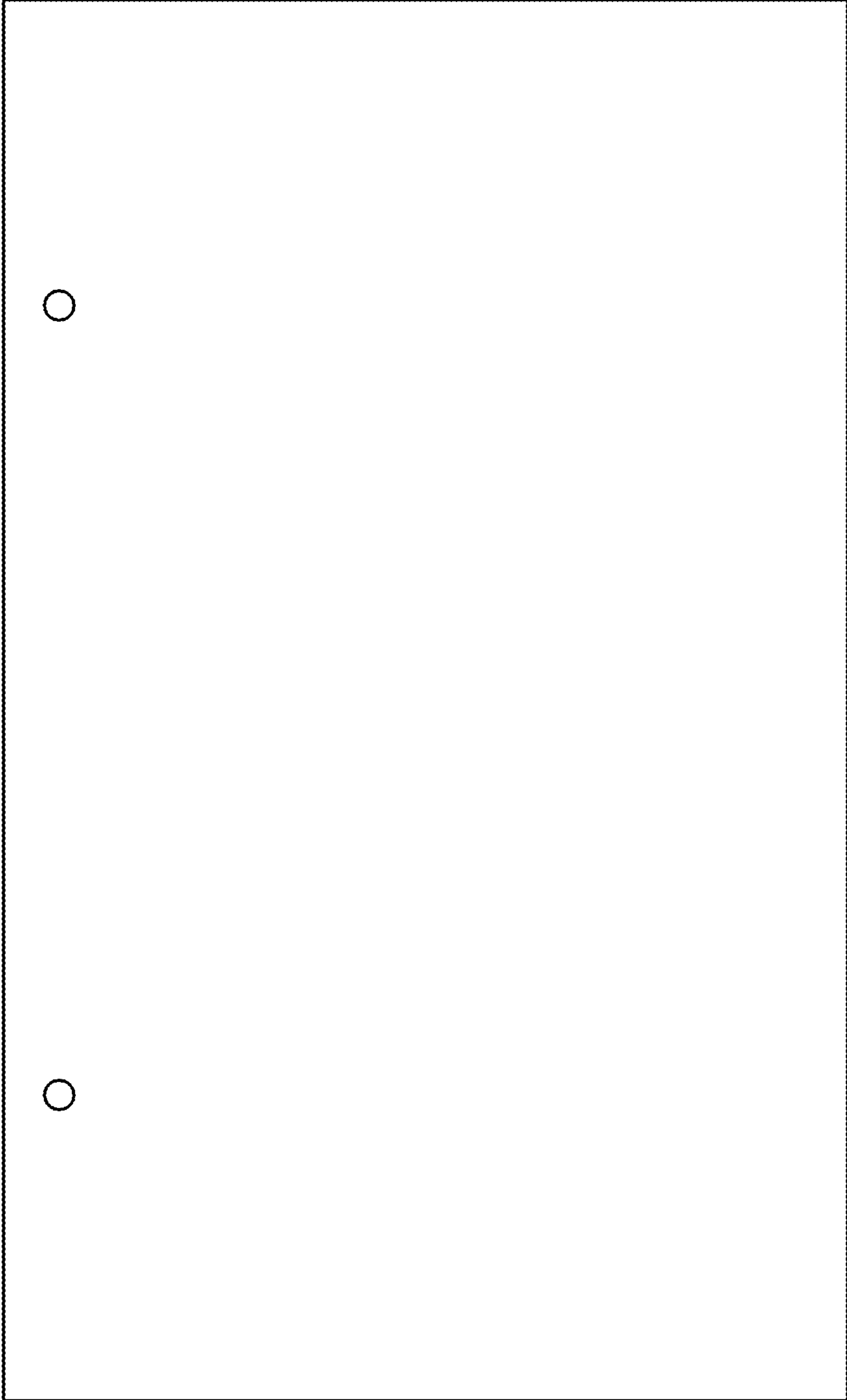


FIG. 12



FIG. 13



FIG. 14

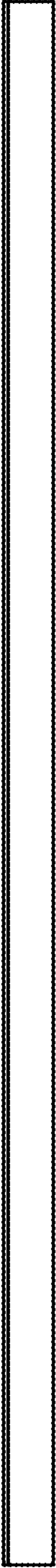


FIG. 15

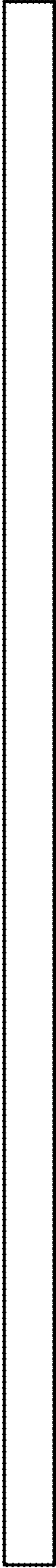


FIG. 16