



US00D804054S

(12) **United States Design Patent**  
**Indio da Costa et al.**

(10) **Patent No.:** **US D804,054 S**

(45) **Date of Patent:** **\*\* Nov. 28, 2017**

(54) **BUS SHELTER**

(56) **References Cited**

(71) Applicant: **Odebrecht Transport Participações S/A**, São Paulo (BR)  
(72) Inventors: **Luiz Eduardo Indio da Costa**, Rio de Janeiro (BR); **Luiz Augusto de Siqueira Índio da Costa**, Rio de Janeiro (BR); **Till Pupak**, Rio de Janeiro (BR)  
(73) Assignee: **OTIMA-CONCESSIONARIA DE EXPLORACAO DE MOBILIARIO URBANO S.A.**, Sao Paulo SP (BR)

U.S. PATENT DOCUMENTS

|               |         |                |       |                        |
|---------------|---------|----------------|-------|------------------------|
| D196,716 S *  | 10/1963 | Hollaender     | ..... | D25/16                 |
| D252,215 S *  | 6/1979  | Leuthesser     | ..... | D25/1                  |
| 5,107,637 A * | 4/1992  | Robbins        | ..... | E04H 1/1211<br>136/291 |
| D336,136 S *  | 6/1993  | Foster         | ..... | D25/1                  |
| D338,073 S *  | 8/1993  | Wall           | ..... | D25/1                  |
| D403,434 S *  | 12/1998 | Sander         | ..... | D25/1                  |
| D409,759 S *  | 5/1999  | Foster         | ..... | D25/1                  |
| D438,635 S *  | 3/2001  | Da Costa       | ..... | D25/1                  |
| D740,967 S *  | 10/2015 | Indio da Costa | ..... | D25/56                 |
| D755,987 S *  | 5/2016  | Indio da Costa | ..... | D25/1                  |

\* cited by examiner

*Primary Examiner* — Susan Bennett Hattan  
*Assistant Examiner* — Brett Miller  
(74) *Attorney, Agent, or Firm* — Sughrue Mion, PLLC

(\*\*) Term: **15 Years**  
(21) Appl. No.: **29/533,335**  
(22) Filed: **Jul. 16, 2015**

**Related U.S. Application Data**

(62) Division of application No. 29/440,024, filed on Dec. 18, 2012, now Pat. No. Des. 755,987.

(57) **CLAIM**

We claim the ornamental design for a bus shelter, as shown.

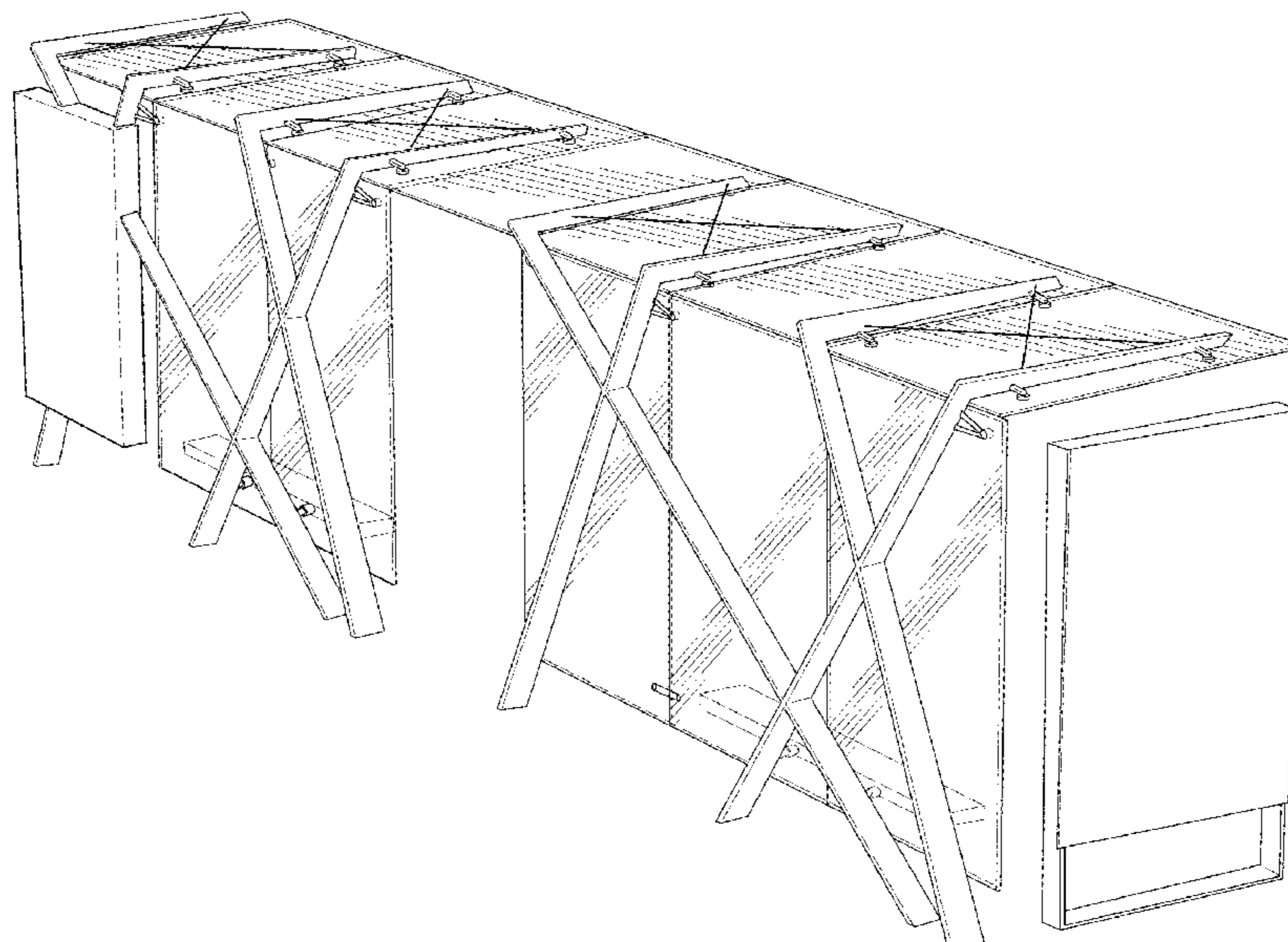
(30) **Foreign Application Priority Data**

Jun. 18, 2012 (BR) ..... 302012003715  
(51) **LOC (10) Cl.** ..... **25-03**  
(52) **U.S. Cl.**  
USPC ..... **D25/1; D25/56**  
(58) **Field of Classification Search**  
USPC ..... D25/1, 4, 12, 15, 16-18, 21, 31-34, 56,  
D25/10, 22, 61, 19, 30; D21/837; 52/86,  
52/73-78, 79.1  
CPC ..... E04B 7/08; E04B 1/3205; E04B 1/3416;  
E04B 1/3408; E04H 15/36; E04H  
1/1205-1/14; E04H 1/02  
See application file for complete search history.

**DESCRIPTION**

FIG. 1—a front view of the bus shelter;  
FIG. 2—a rear view;  
FIG. 3—a right side view;  
FIG. 4—a left side view;  
FIG. 5—a top view;  
FIG. 6—a bottom view;  
FIG. 7—a perspective view; and,  
FIG. 8—a second perspective view.  
The broken lines in FIG. 6 depict portions of the bus shelter that form no part of the claimed design.

**1 Claim, 6 Drawing Sheets**



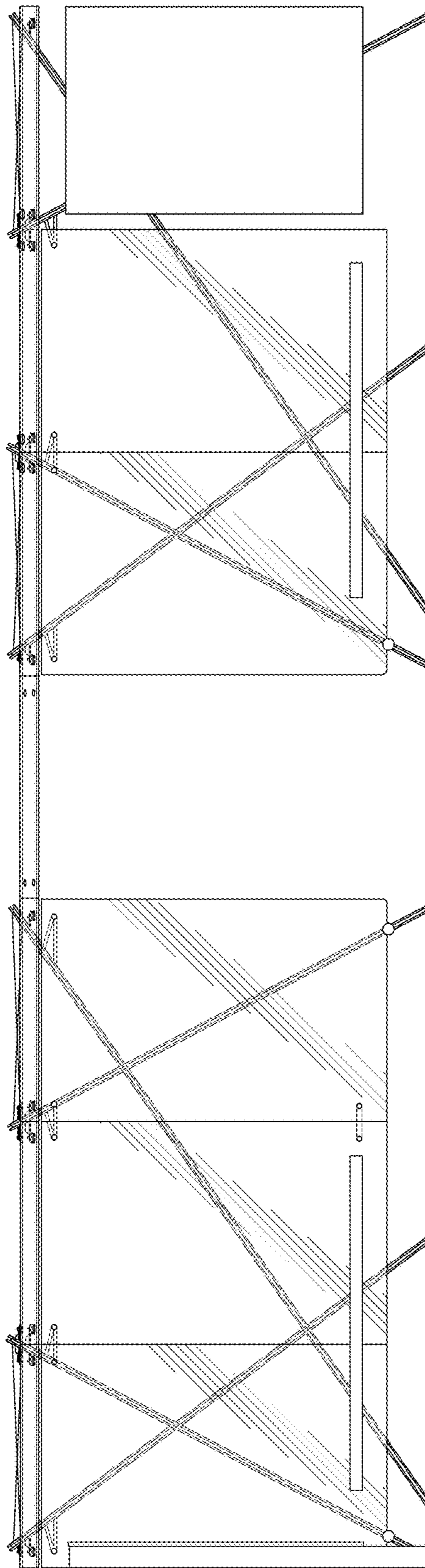


FIG. 1

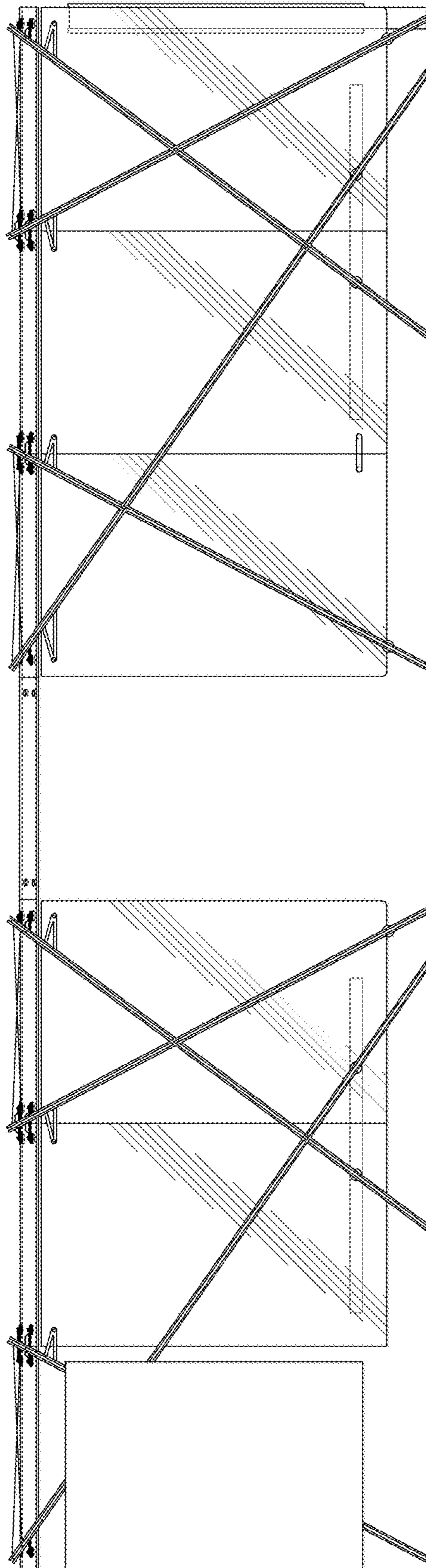
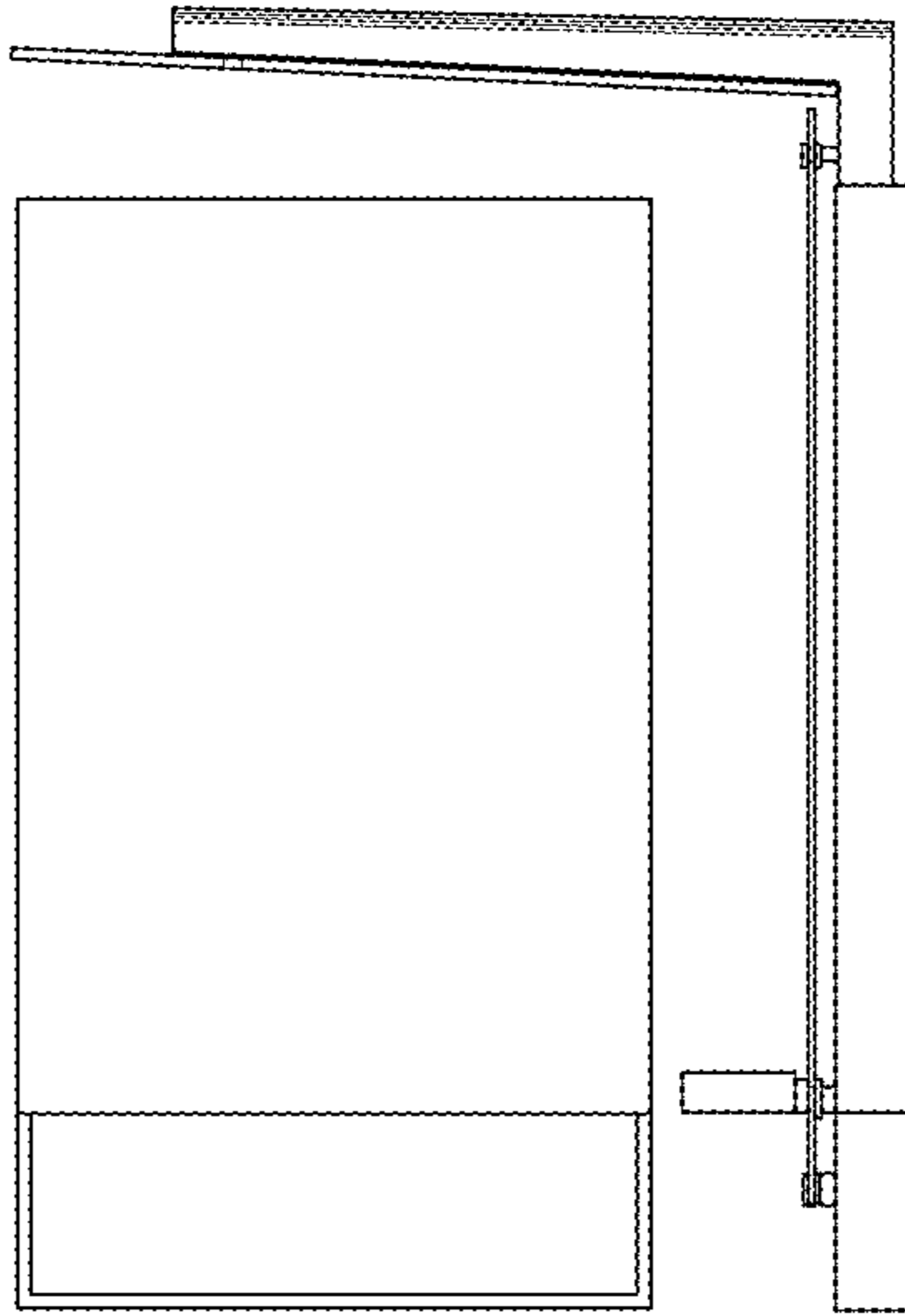
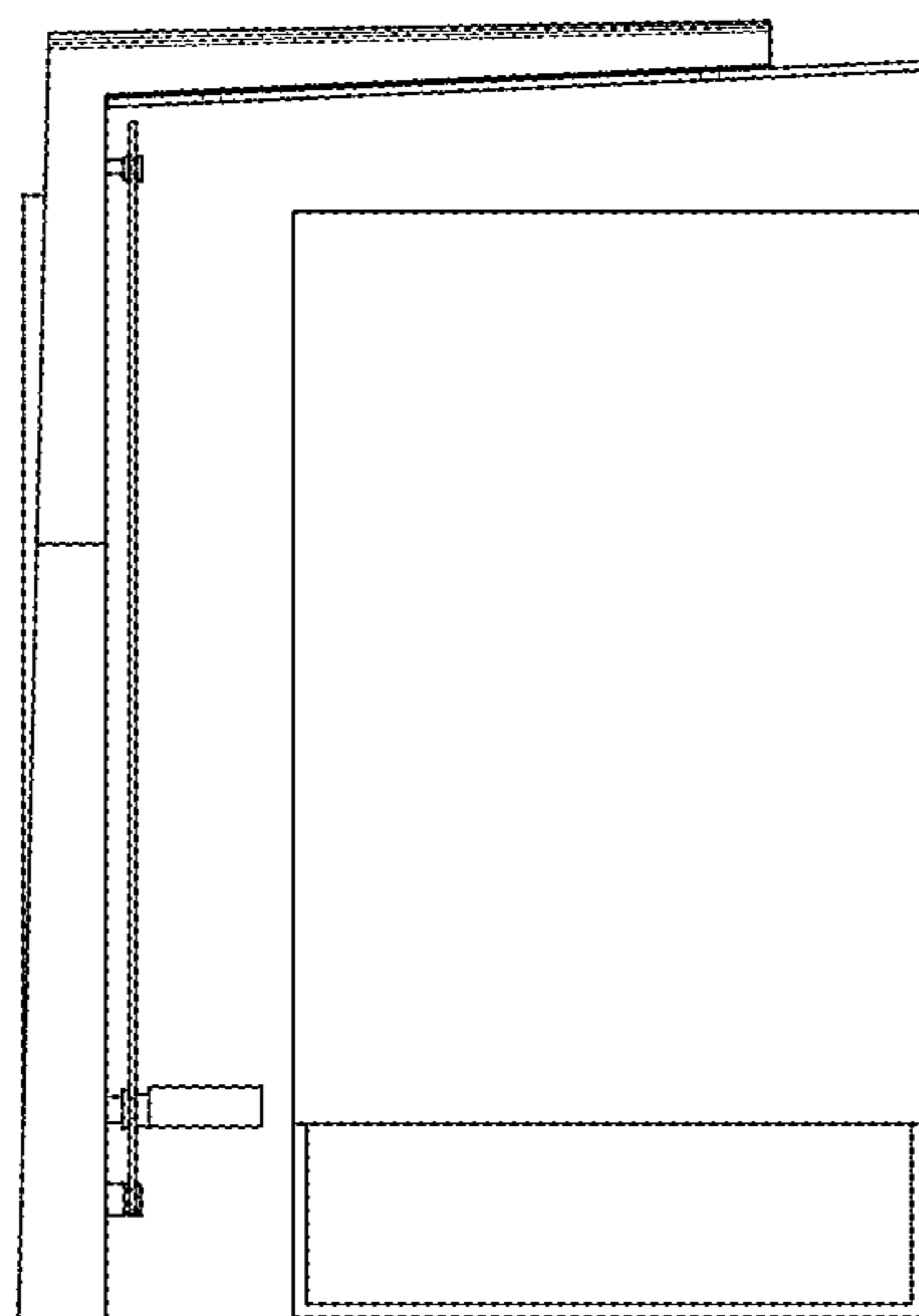


FIG. 2



**FIG. 3**



**FIG. 4**

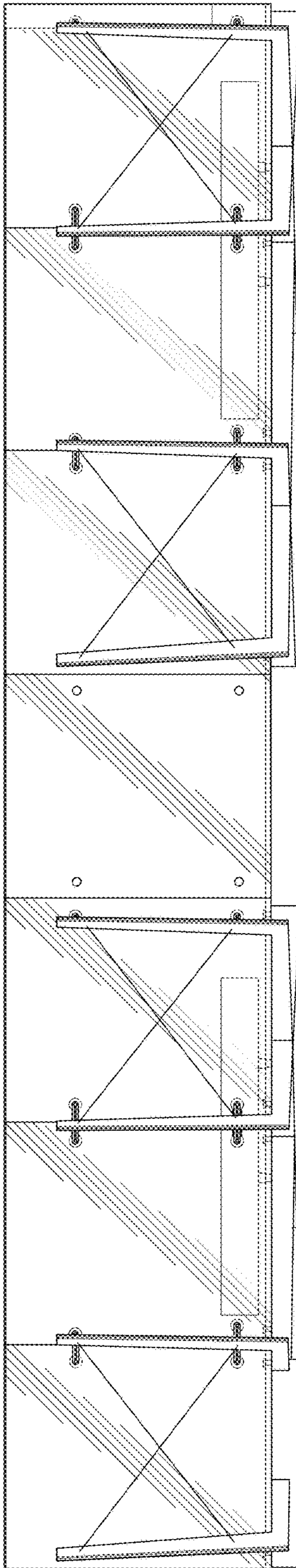


FIG. 5

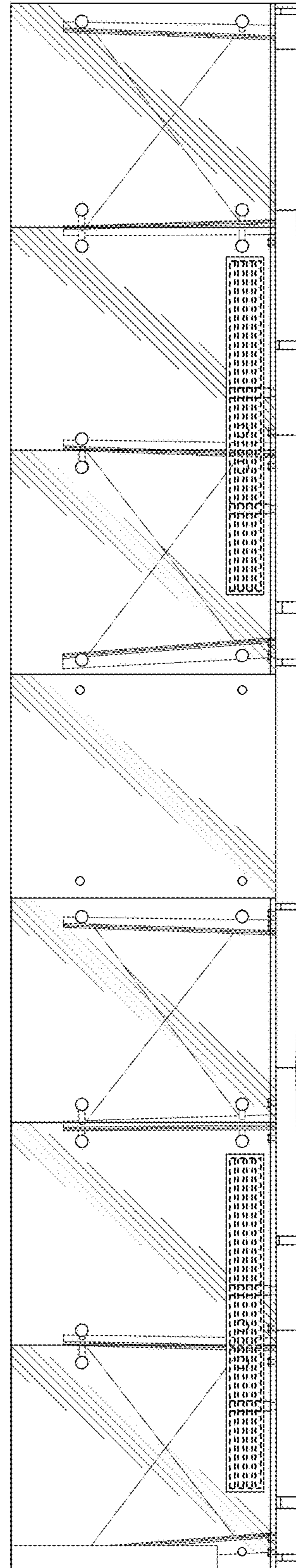


FIG. 6

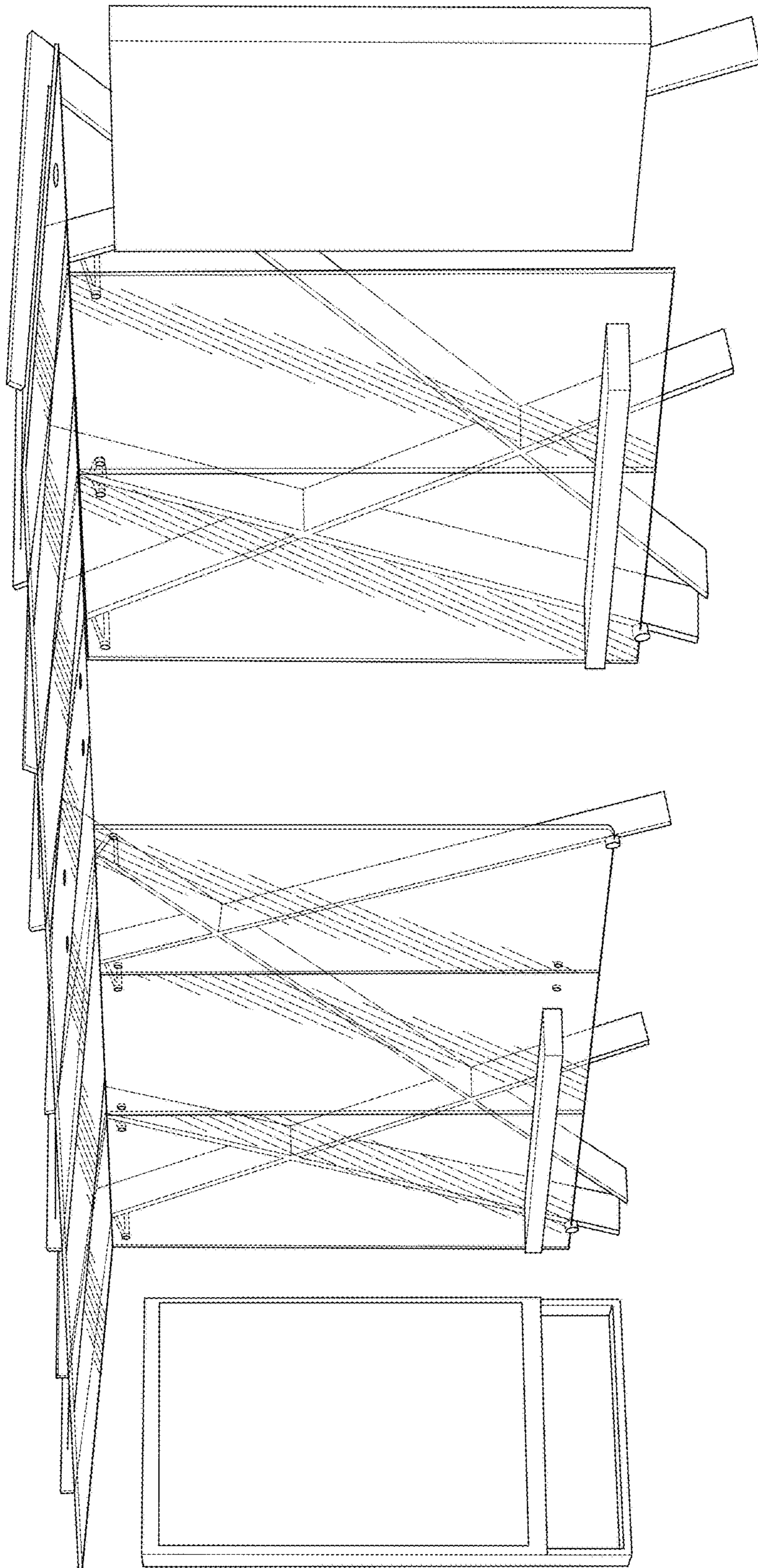


FIG. 7

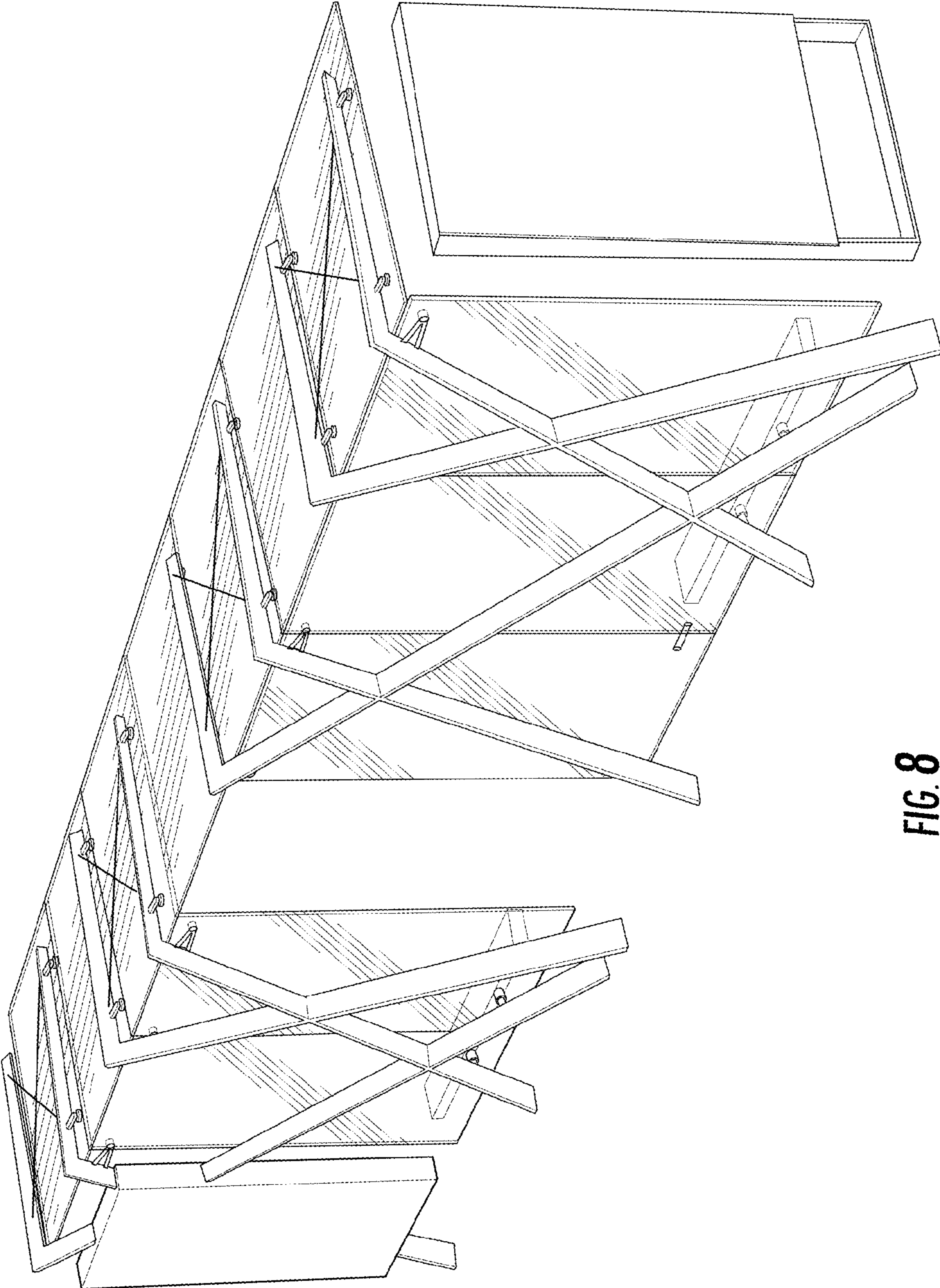


FIG. 8