



US00D804051S

(12) **United States Design Patent** (10) **Patent No.:** **US D804,051 S**
Alexander et al. (45) **Date of Patent:** **** Nov. 28, 2017**

(54) **SUPPORT FOR ARTICLE WITH CURVED BASE**

(71) Applicant: **Kennesaw State University Research and Service Foundation, Inc.**,
Kennesaw, GA (US)

(72) Inventors: **Christopher W. Alexander**, Atlanta, GA (US); **Benjamin Huck**, Marietta, GA (US)

(73) Assignee: **Kennesaw State University Research and Service Foundation, Inc.**,
Kennesaw, GA (US)

(**) Term: **15 Years**

(21) Appl. No.: **29/540,780**

(22) Filed: **Sep. 28, 2015**

(51) **LOC (10) Cl.** **24-02**

(52) **U.S. Cl.**
USPC **D24/227**

(58) **Field of Classification Search**
USPC D24/224, 227, 229–230, 231–232, 216;
422/500, 547, 549, 562, 566, 551,
422/556–558, 560–561; 211/65, 74, 14;
220/737, 630; 248/146, 318, 346.01,
248/346.5, 346.11; D9/436, 455;
D7/387, 558, 624.1; 600/573; 206/423,
206/443
CPC A47G 23/0241; A47G 23/02; A47G 19/06;
A47G 19/08; A47G 19/2205; B01L 9/04;
B01L 9/06; B01L 9/00; B01L 9/08; B01L
2300/0848; B01L 2300/0851; B01L
2300/0854; B01L 2300/0858; B01L 9/52;
B65D 51/249; A47J 41/02

See application file for complete search history.

(56) **References Cited**

U.S. PATENT DOCUMENTS

1,657,664 A * 1/1928 Dexter A47G 19/2205
206/423
D110,902 S * 8/1938 Loesch D7/558

2,988,333 A * 6/1961 Mesic A47G 23/0241
211/74
3,229,949 A * 1/1966 Chaconas A47J 41/02
248/346.11
D243,070 S * 1/1977 Burgheimer D9/436
4,305,559 A * 12/1981 Jackson B01L 9/04
248/146
D280,692 S * 9/1985 Sullivan D7/387
D287,639 S * 1/1987 Moore D24/224
D295,962 S * 5/1988 Conlon D24/227
D295,963 S * 5/1988 Conlon D24/227

(Continued)

Primary Examiner — Ian Simmons

Assistant Examiner — Mark Cavanna

(74) *Attorney, Agent, or Firm* — Baker & Hostetler LLP

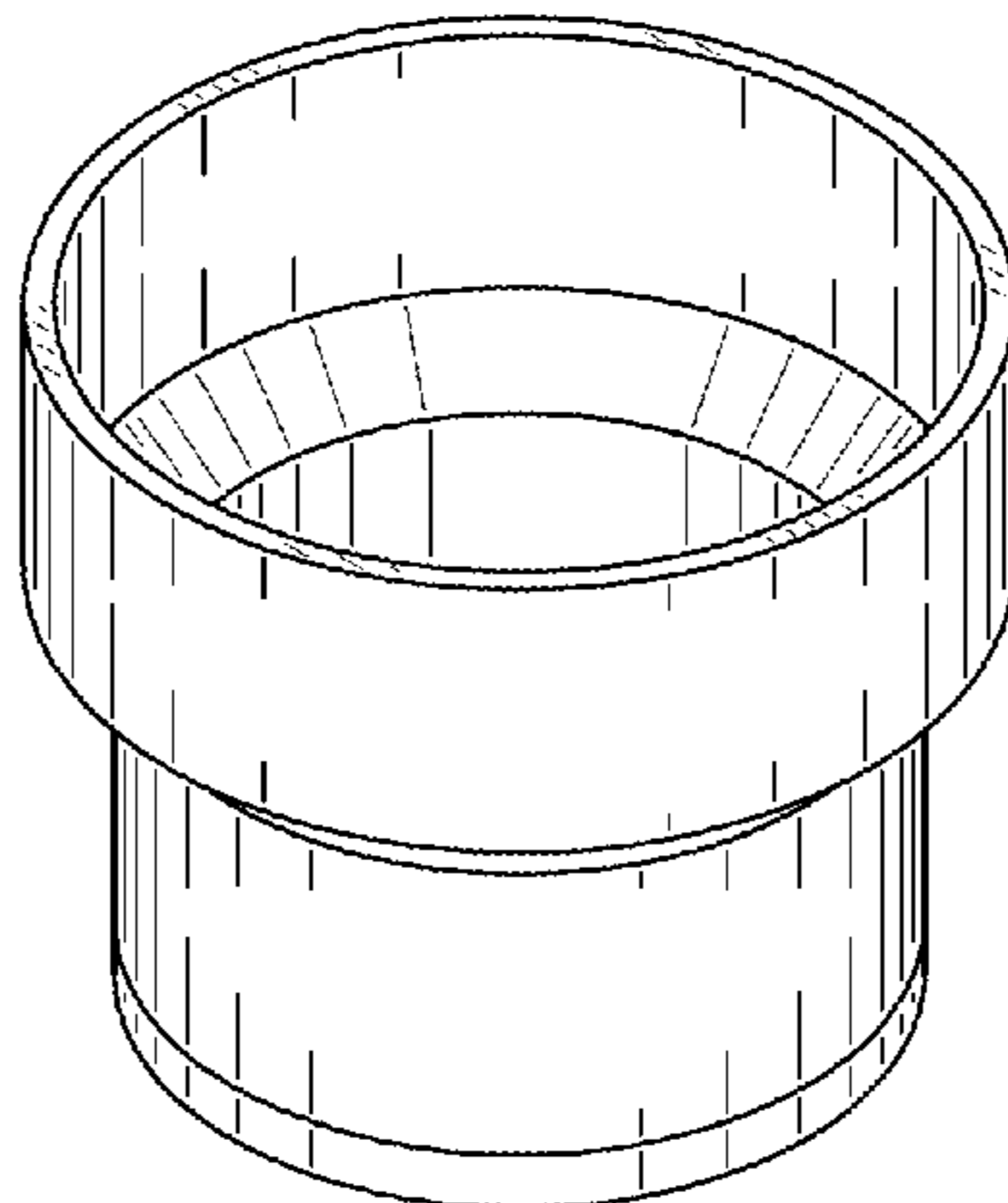
(57) **CLAIM**

The ornamental design for a support for article with curved base, as shown and described.

DESCRIPTION

FIG. 1 is a perspective view of the first embodiment of a support for article with curved base showing our new design;
FIG. 2 is a front view of the embodiment of FIG. 1;
FIG. 3 is a top view of the embodiment of FIG. 1;
FIG. 4 is a bottom view of the embodiment of FIG. 1;
FIG. 5 is the same perspective view of FIG. 1 including a representative article for support.
FIG. 6 is a perspective view of the second embodiment of our design for a support for article with curved base;
FIG. 7 is a front view of the embodiment of FIG. 6;
FIG. 8 is a top view of the embodiment of FIG. 6; and,
FIG. 9 is a bottom view of the embodiment of FIG. 6.
The broken lines are included to illustrate an environmental context of the support for article with curved base and form no part of the claims design.

1 Claim, 3 Drawing Sheets



(56)

References Cited

U.S. PATENT DOCUMENTS

D307,869	S *	5/1990	Miskinis	D24/227
4,920,975	A *	5/1990	Fay	A61B 10/0051
				600/573
5,312,013	A *	5/1994	Bridges	A47G 19/06
				220/737
5,382,409	A *	1/1995	Baxter	B01L 9/06
				422/561
5,634,617	A	6/1997	Morris	
D402,766	S *	12/1998	Smith	D24/227
D453,572	S *	2/2002	Livecchi	D24/224
D476,747	S *	7/2003	Savion	D24/216
D501,561	S	2/2005	Smith	
D501,562	S	2/2005	Smith	
D501,679	S *	2/2005	Smith	D24/229
D501,680	S *	2/2005	Smith	D24/230
7,704,458	B2 *	4/2010	Fordham	B01L 9/00
				422/561
7,833,491	B2 *	11/2010	Behrens	B01L 9/06
				206/443
D637,311	S *	5/2011	Isobe	D24/227
D688,385	S *	8/2013	Trump	D24/224
D709,210	S *	7/2014	D'Argy	D24/227
2005/0040309	A1 *	2/2005	Paine	A47G 19/08
				248/346.5
2012/0104214	A1	5/2012	St. Jacques	
2013/0126683	A1 *	5/2013	St. Martin	A47G 23/02
				248/146
2015/0375224	A1 *	12/2015	Liu	B01L 3/08
				422/556
2016/0120373	A1 *	5/2016	Strong	B65D 51/249
				211/65

* cited by examiner

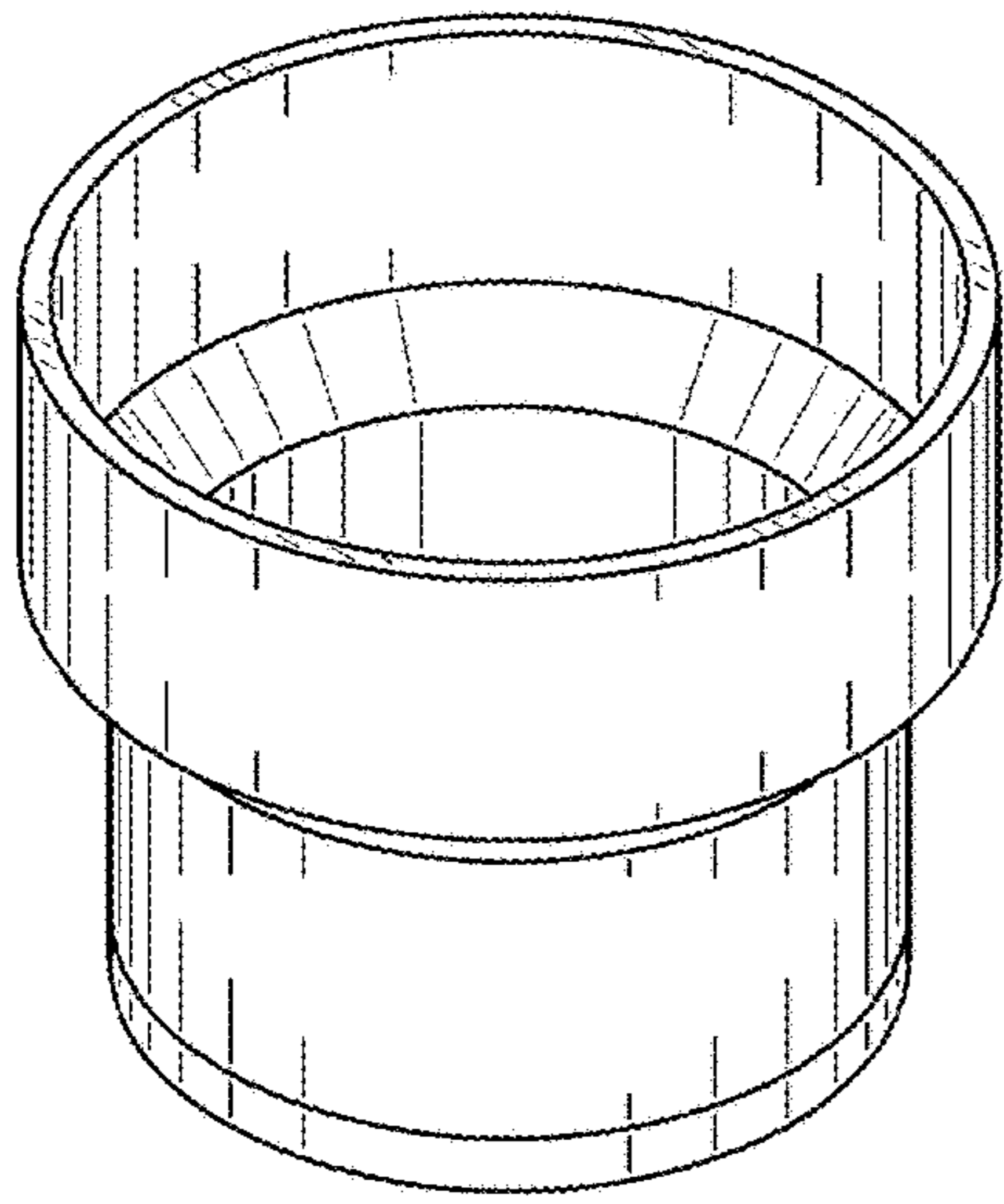


FIG. 1

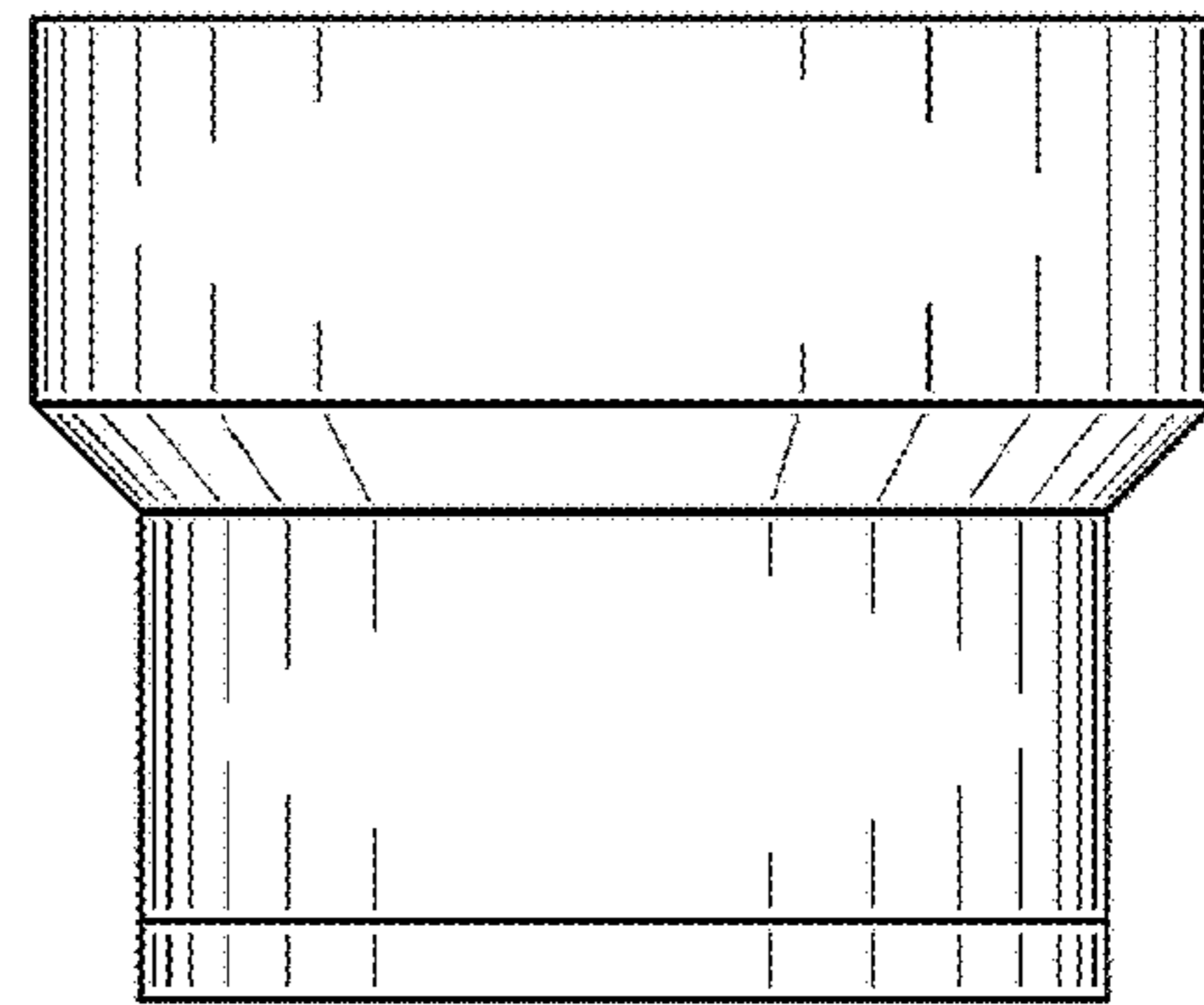


FIG. 2

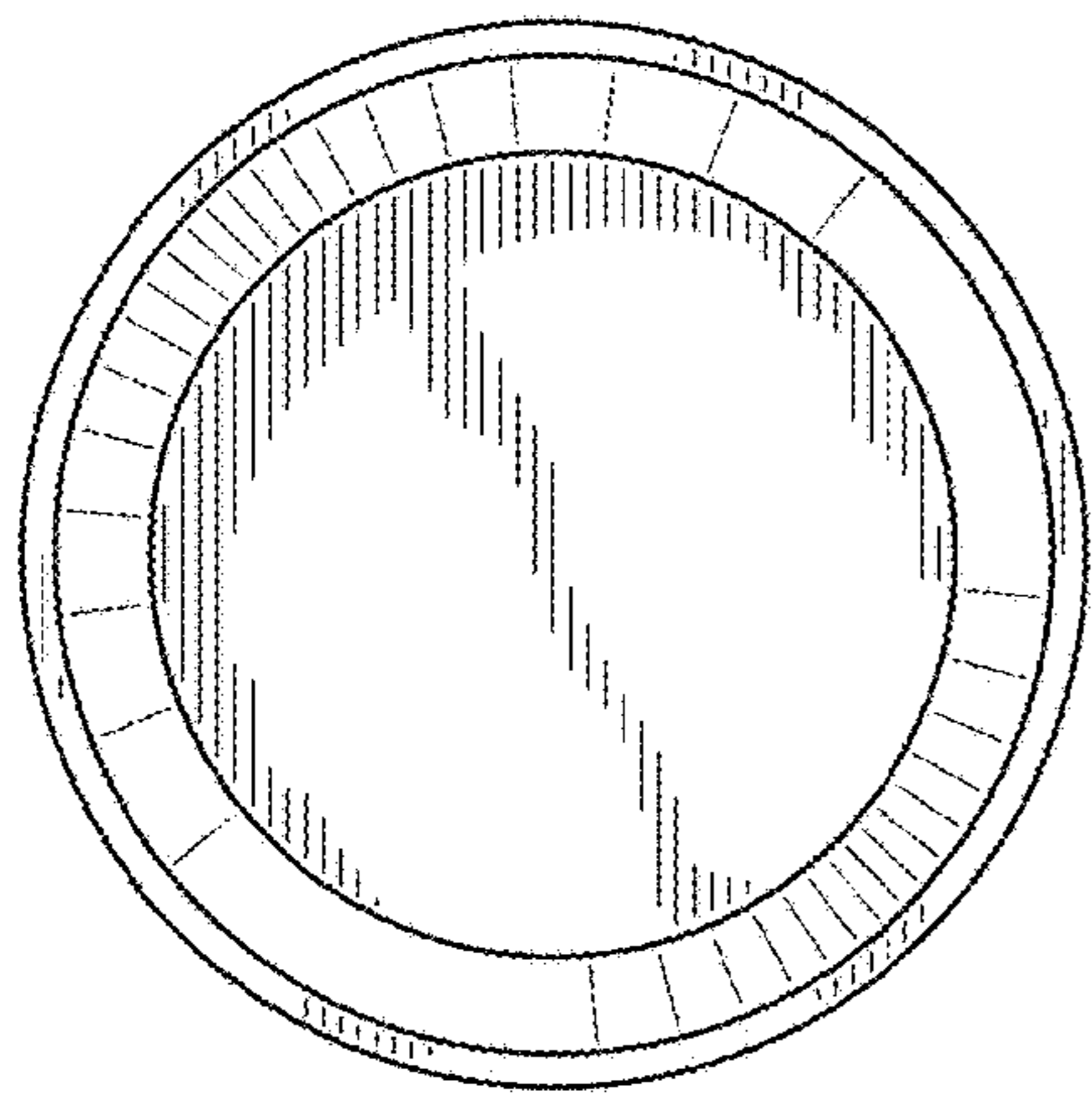


FIG. 3

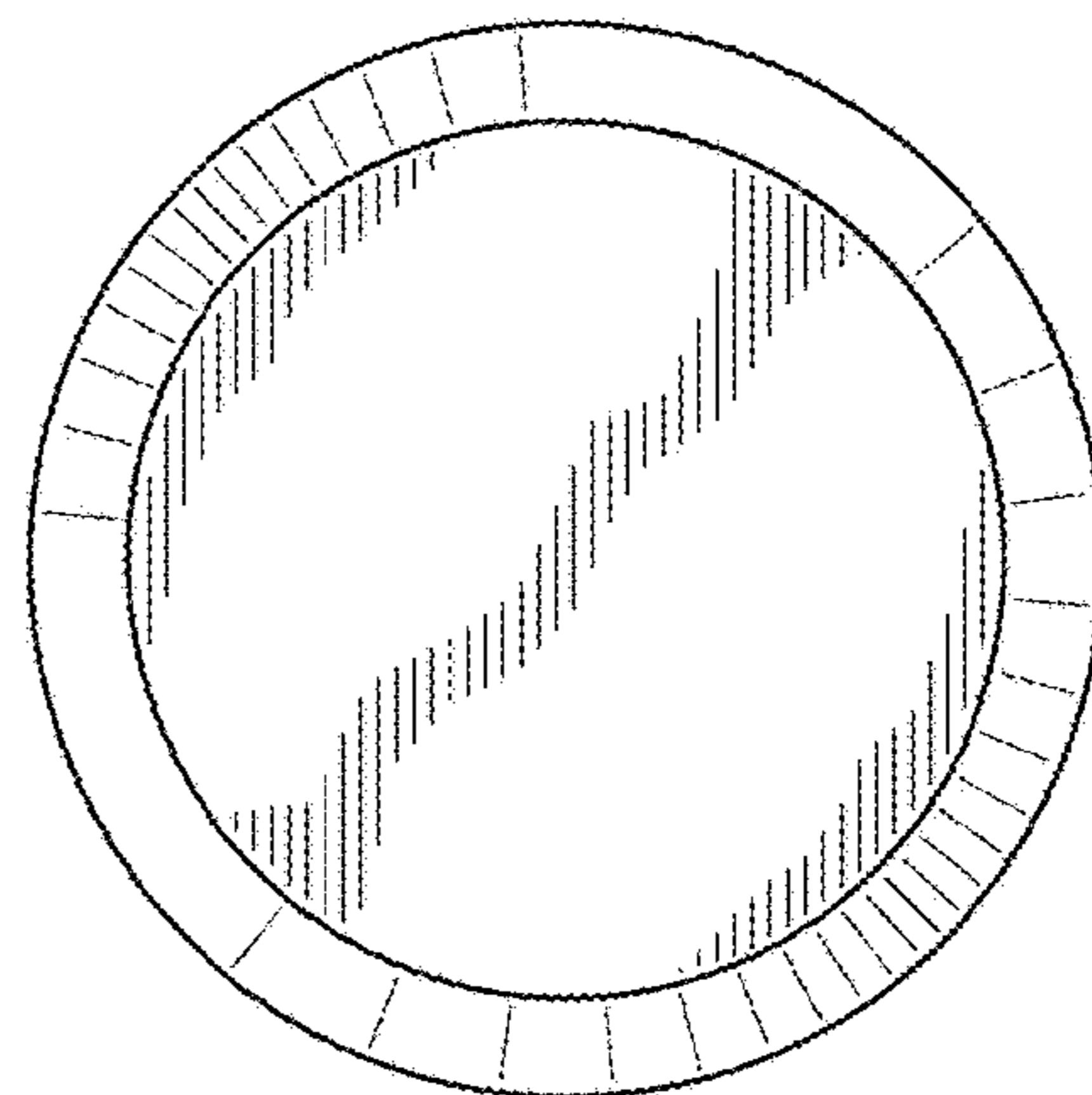


FIG. 4

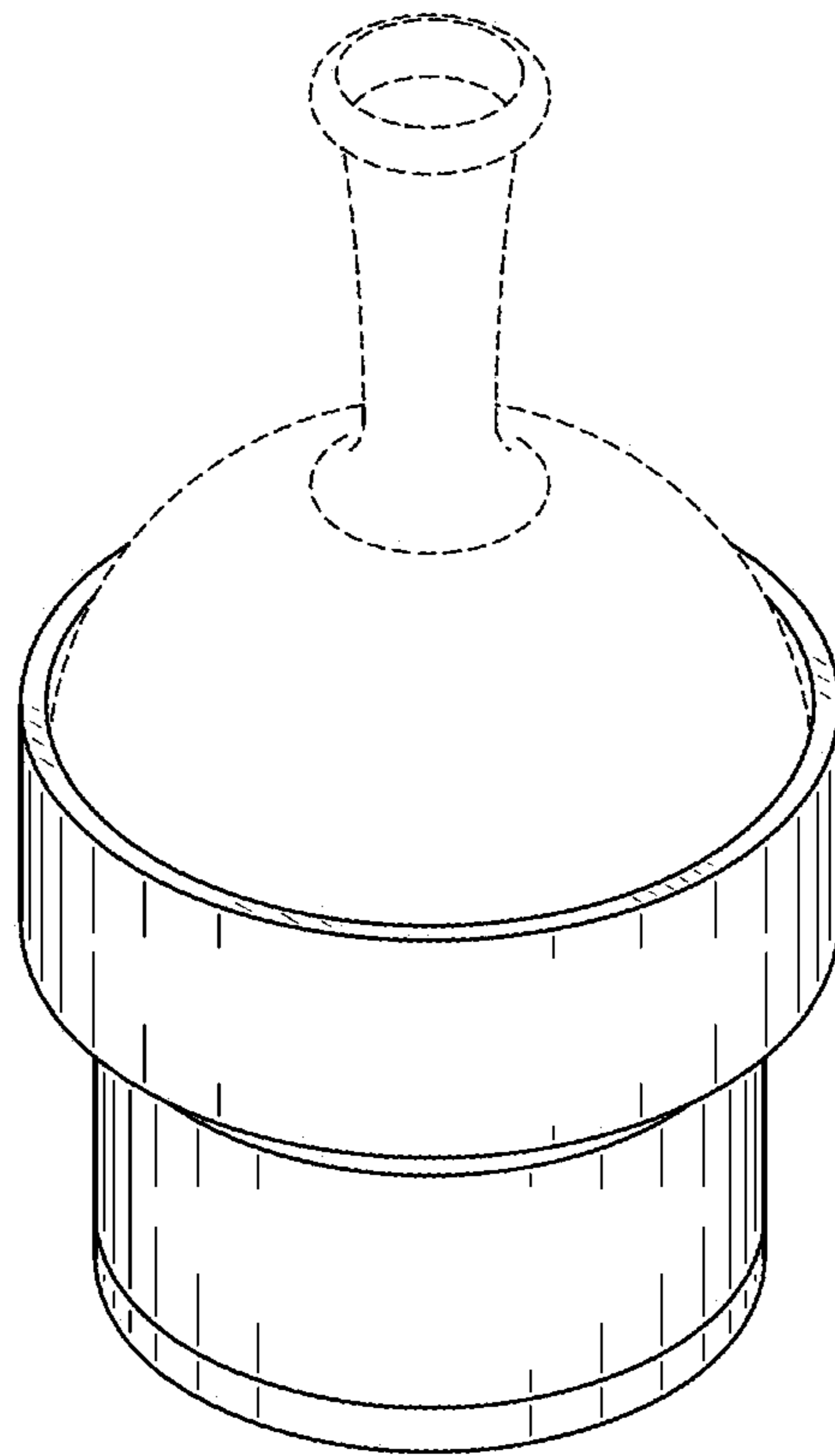


FIG. 5

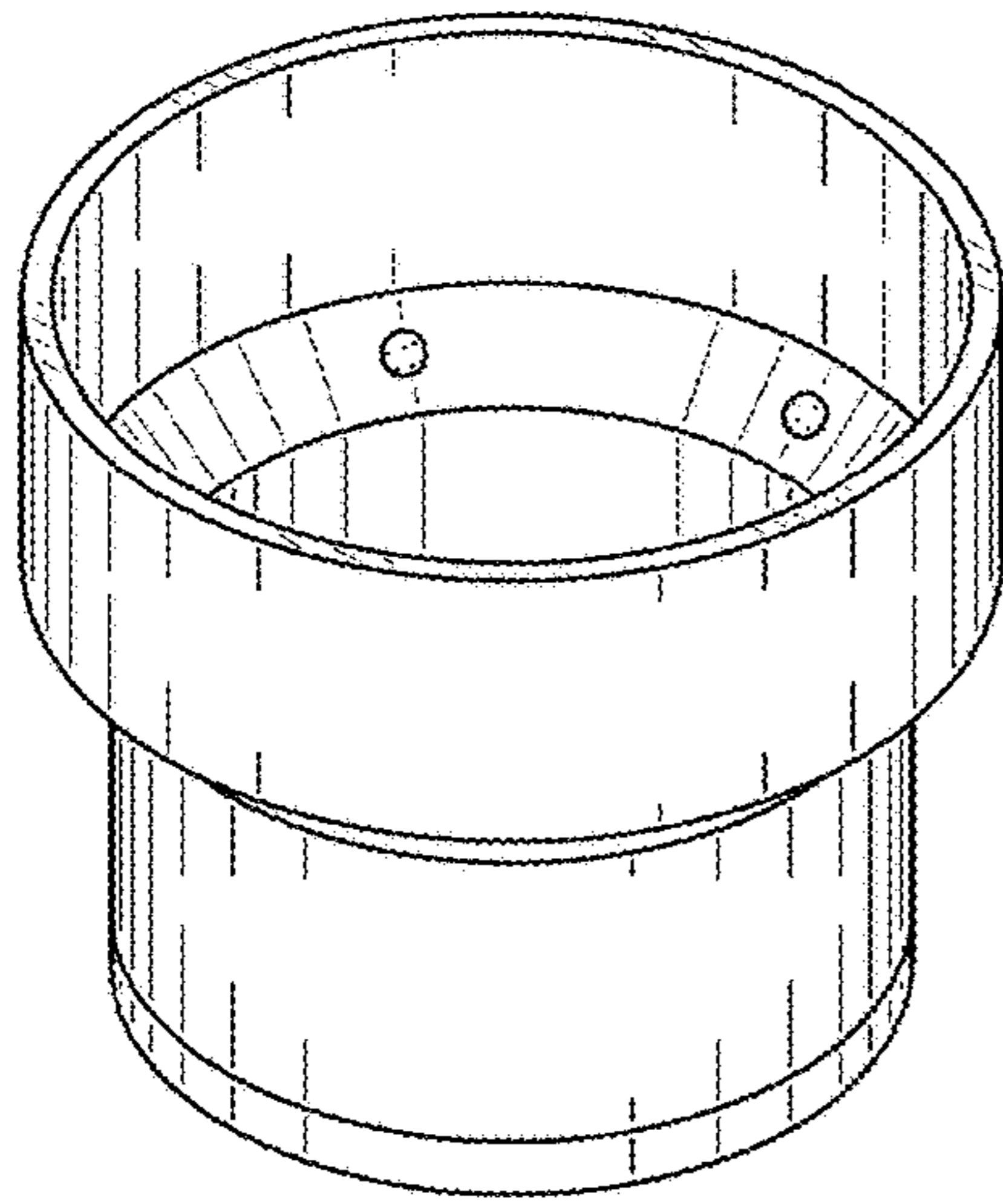


FIG. 6

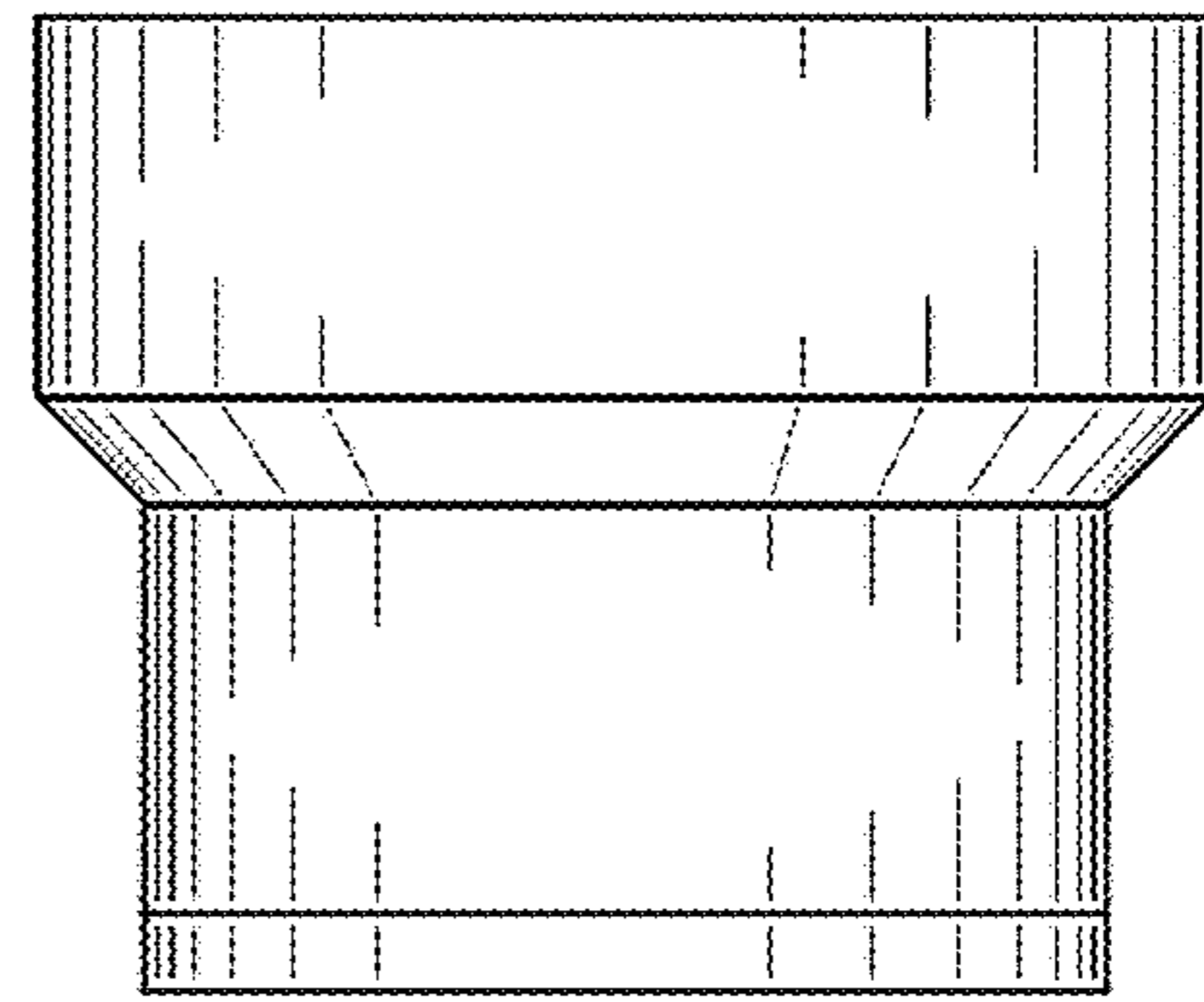


FIG. 7

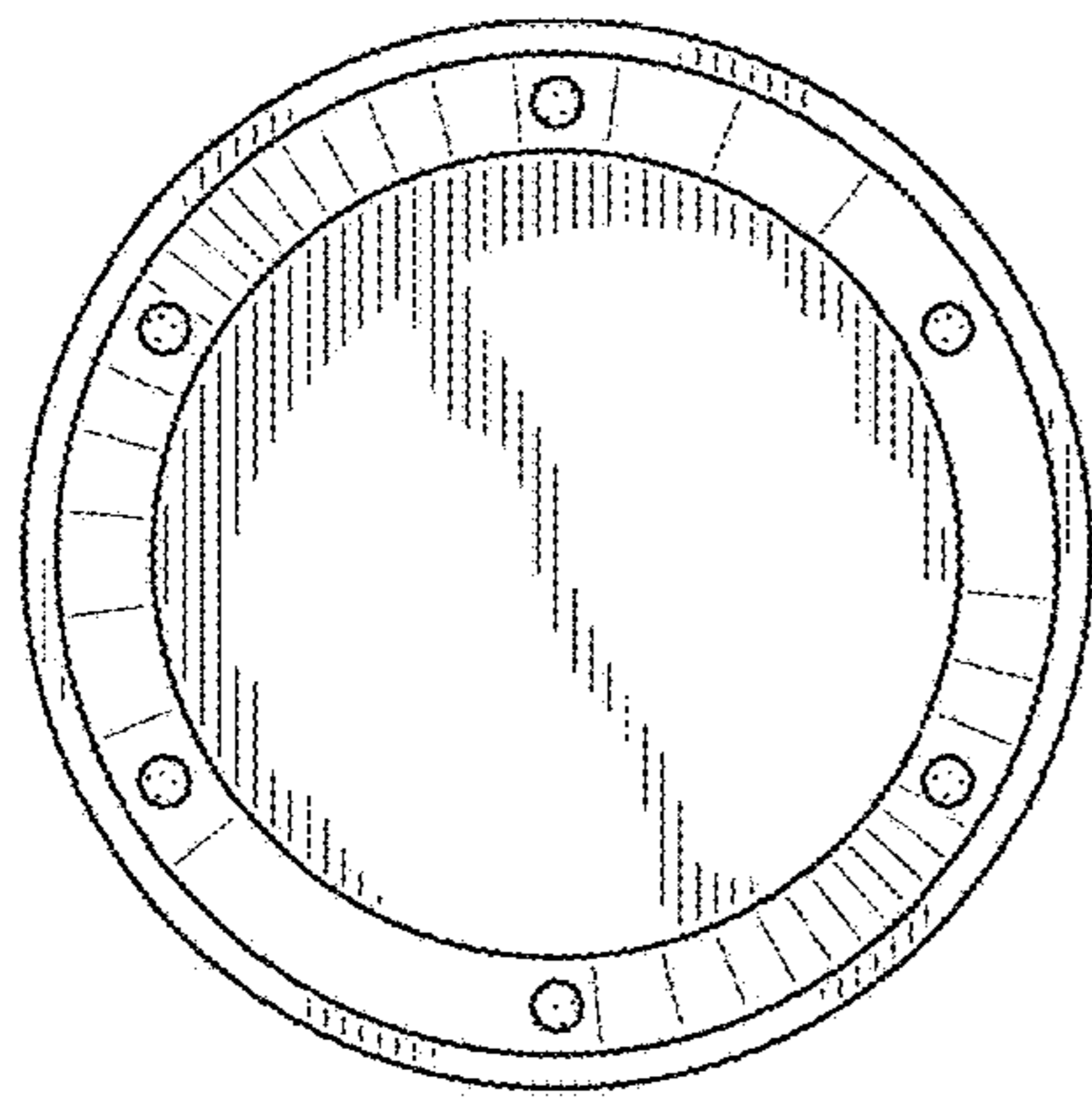


FIG. 8

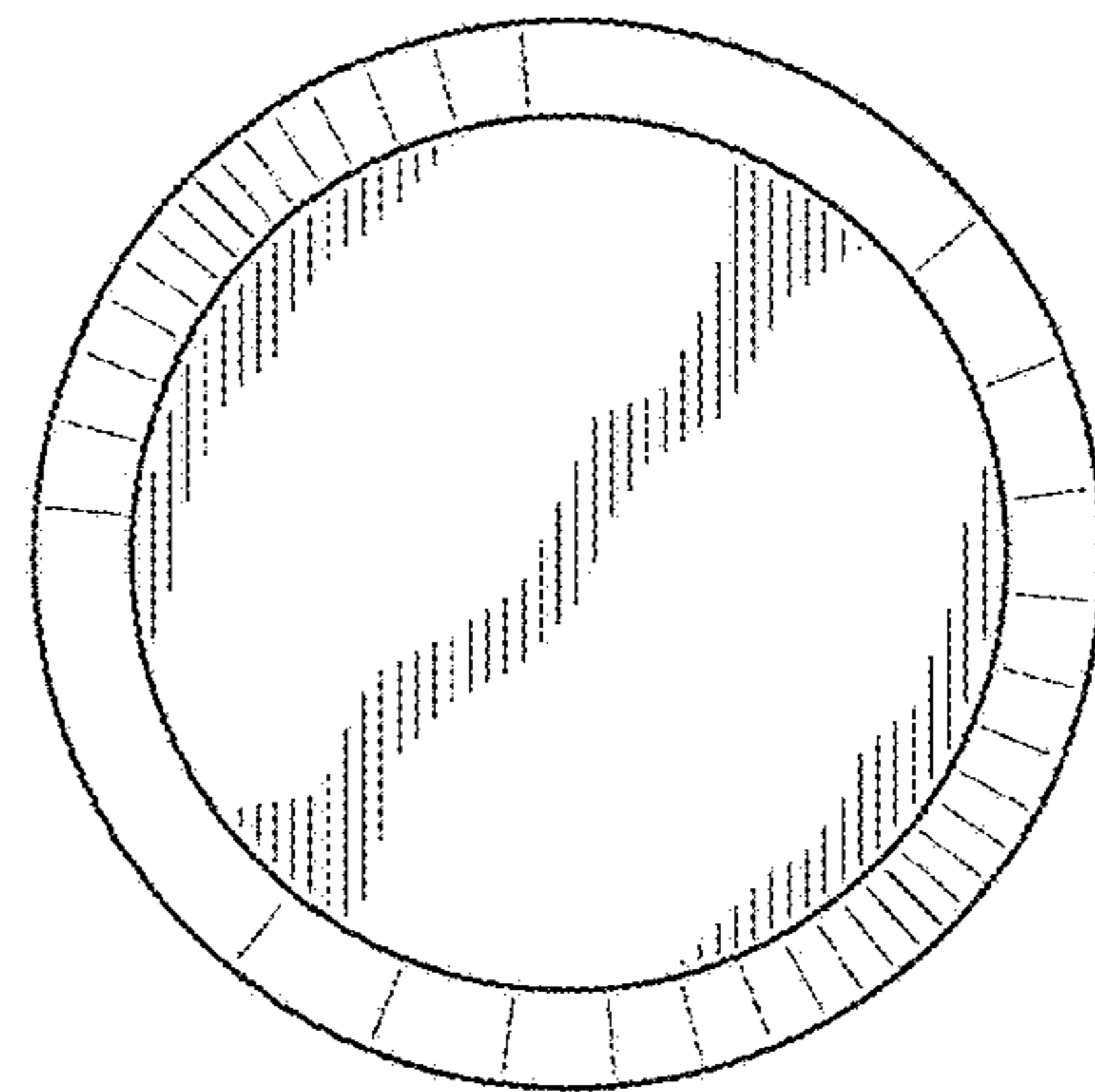


FIG. 9