



US00D804048S

(12) **United States Design Patent**  
**Winkley**

(10) **Patent No.:** **US D804,048 S**

(45) **Date of Patent:** **\*\* Nov. 28, 2017**

(54) **MASSAGER**

2201/0111; A61H 2201/1253; A61H  
2205/082; A61H 2205/085; A61H  
15/0085

(71) Applicant: **Christopher Thomason Winkley**,  
Austin, TX (US)

See application file for complete search history.

(72) Inventor: **Christopher Thomason Winkley**,  
Austin, TX (US)

(56) **References Cited**

(73) Assignee: **Christopher T. Winkley**, Austin, TX  
(US)

U.S. PATENT DOCUMENTS

(\*\*) Term: **15 Years**

D253,373 S *	11/1979	Celeste	.....	601/121
D689,155 S *	9/2013	Jahns	.....	D21/692
D713,050 S *	9/2014	Kao	.....	A61H 15/00
				D24/211
D744,112 S *	11/2015	Phillips	.....	D24/211
2015/0283023 A1 *	10/2015	Phillips	.....	A61H 15/0092
				601/118

(21) Appl. No.: **29/620,520**

(22) Filed: **Feb. 1, 2017**

\* cited by examiner

**Related U.S. Application Data**

*Primary Examiner* — Sandra Snapp

(63) Continuation-in-part of application No. 29/505,078,  
filed on May 19, 2015, now abandoned.

(57) **CLAIM**

The ornamental design for a massager, as shown and  
described.

(51) **LOC (10) Cl.** ..... **28-03**

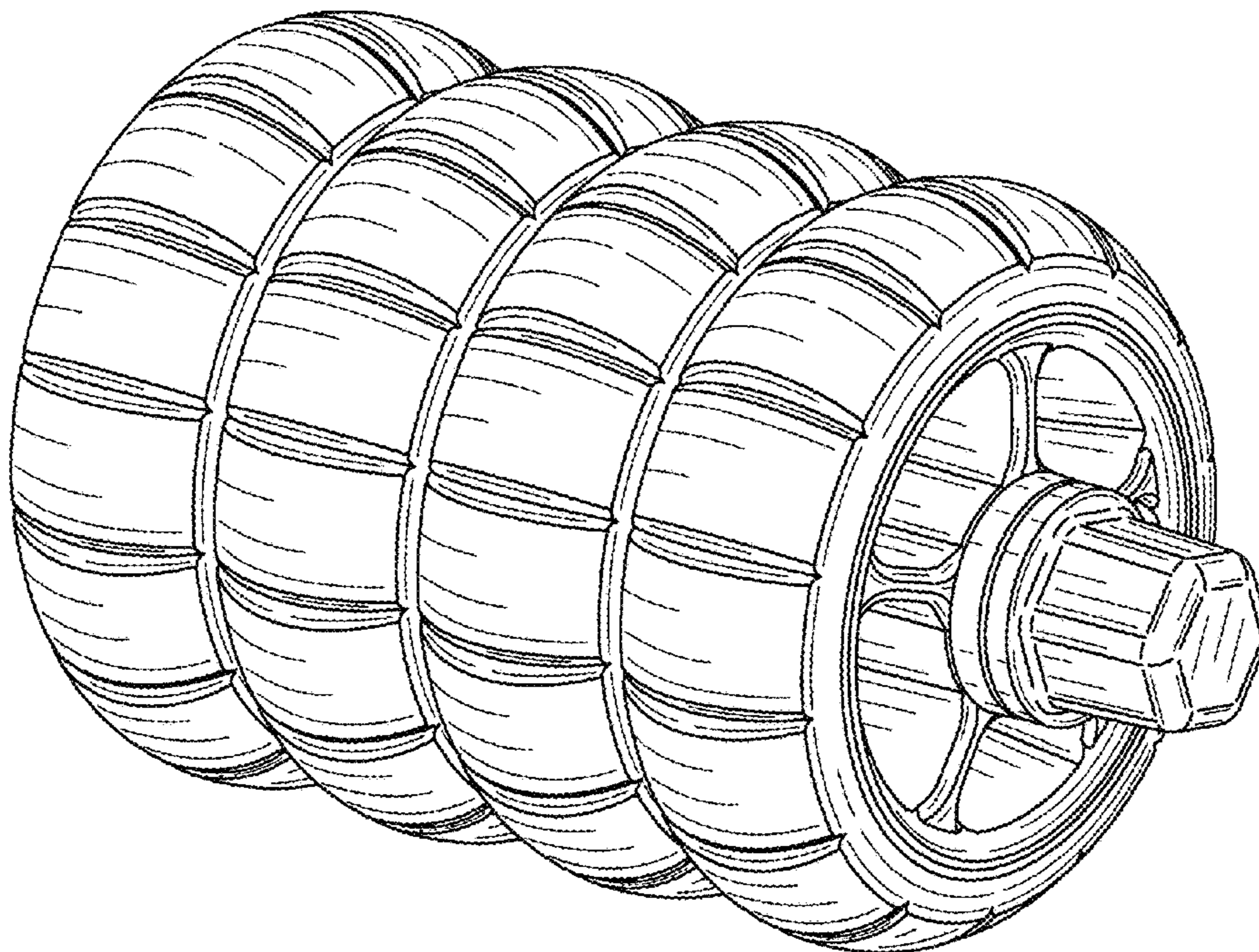
(52) **U.S. Cl.**  
USPC ..... **D24/215**

**DESCRIPTION**

(58) **Field of Classification Search**  
USPC ..... D24/200, 211, 212, 213, 214, 215;  
601/112, 113, 118, 120, 123, 125, 128,  
601/129, 131, 134, 135, DIG. 14,  
601/DIG. 15, DIG. 17  
CPC ..... A61H 19/30; A61H 19/32; A61H 19/34;  
A61H 19/40; A61H 19/44; A61H 19/50;  
A61H 19/00; A61H 2201/0153; A61H  
2201/0207; A61H 2201/0263; A61H

FIG. 1 is a top, front perspective view of a massager  
showing my new design;  
FIG. 2 is a bottom, rear perspective view thereof;  
FIG. 3 is a top plan view thereof;  
FIG. 4 is a bottom plan view thereof;  
FIG. 5 is a side elevation view thereof; and,  
FIG. 6 is an opposite side elevation view thereof.

**1 Claim, 5 Drawing Sheets**



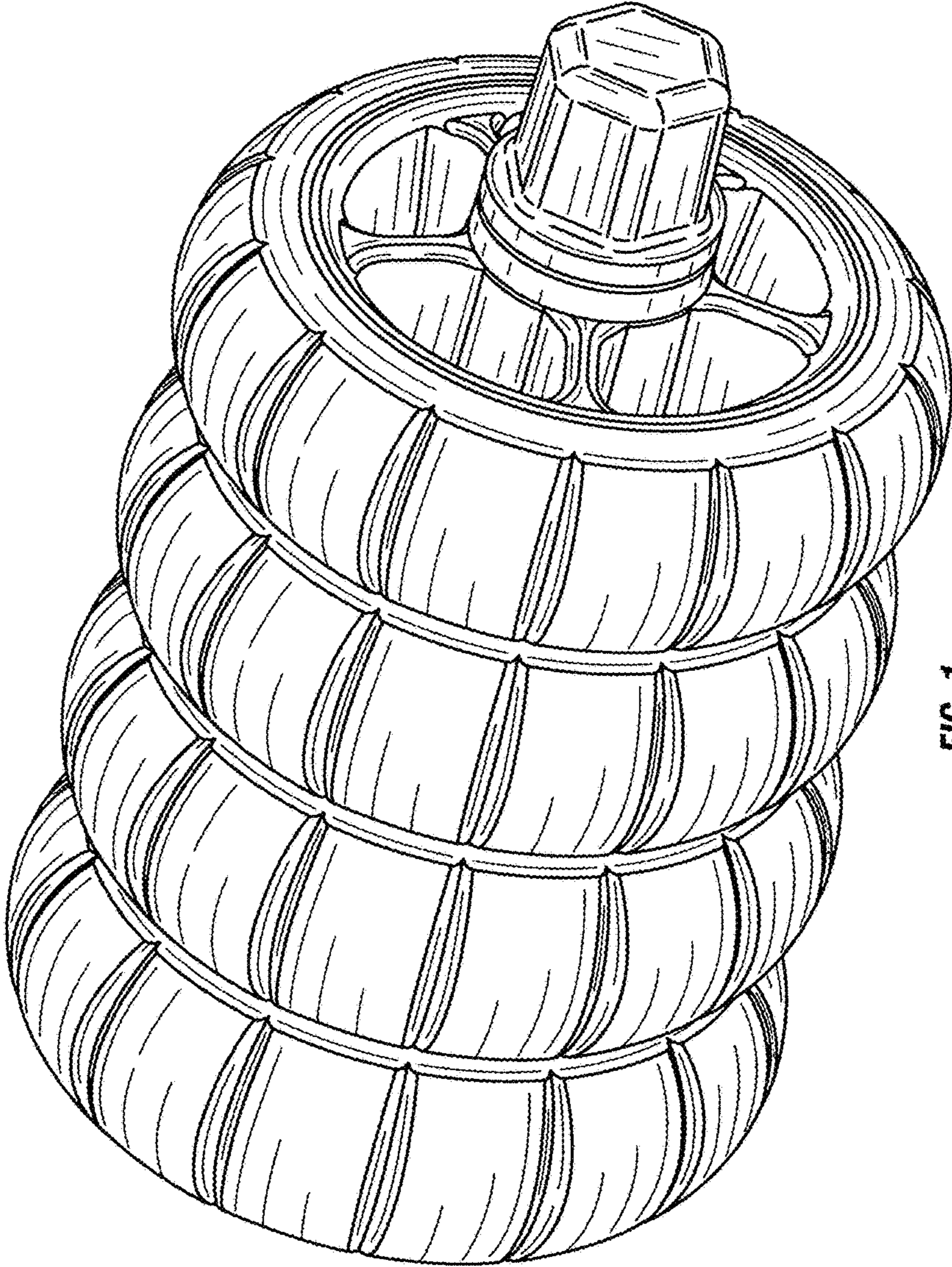


FIG. 1



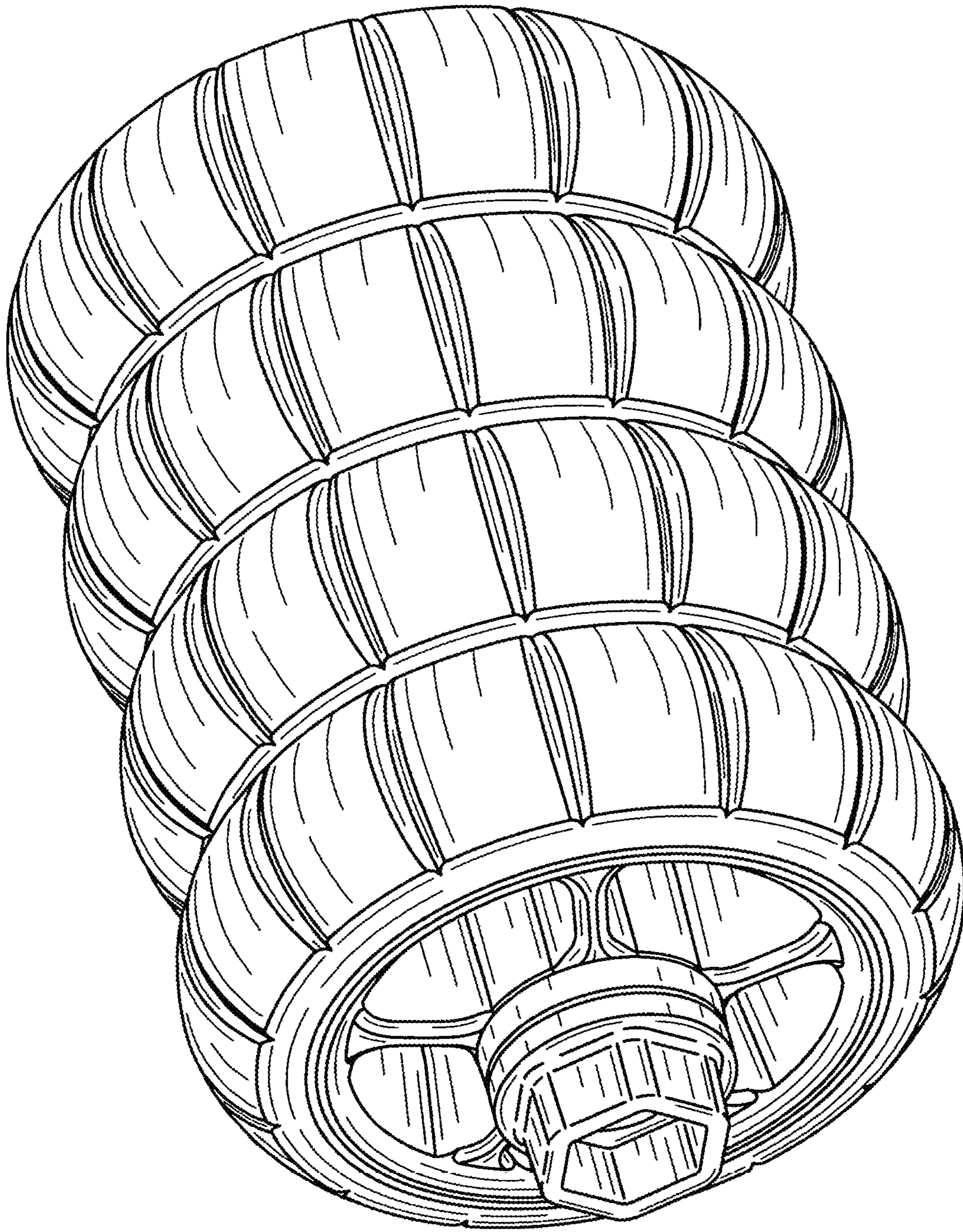
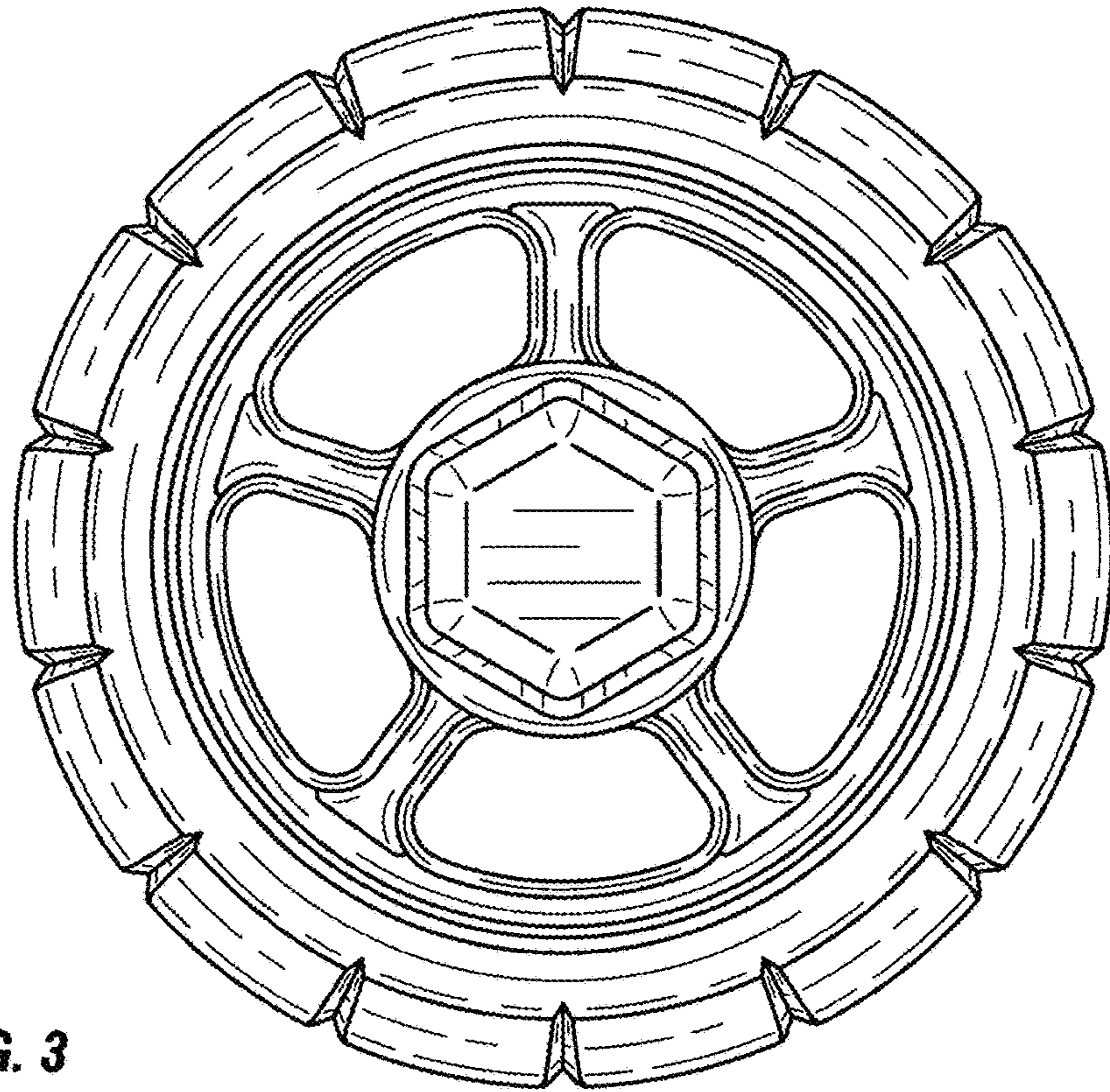
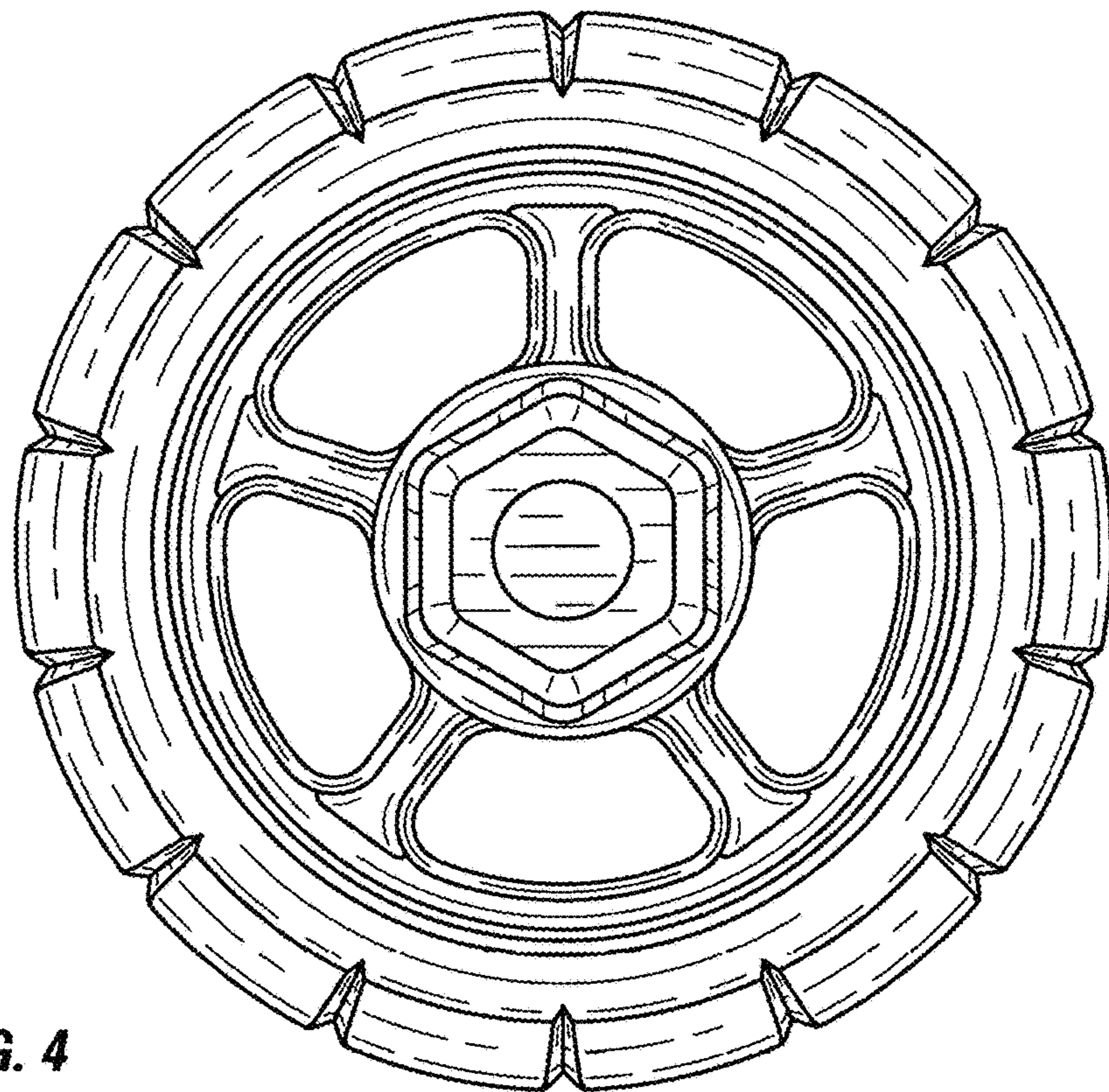


FIG. 2





**FIG. 3**



**FIG. 4**



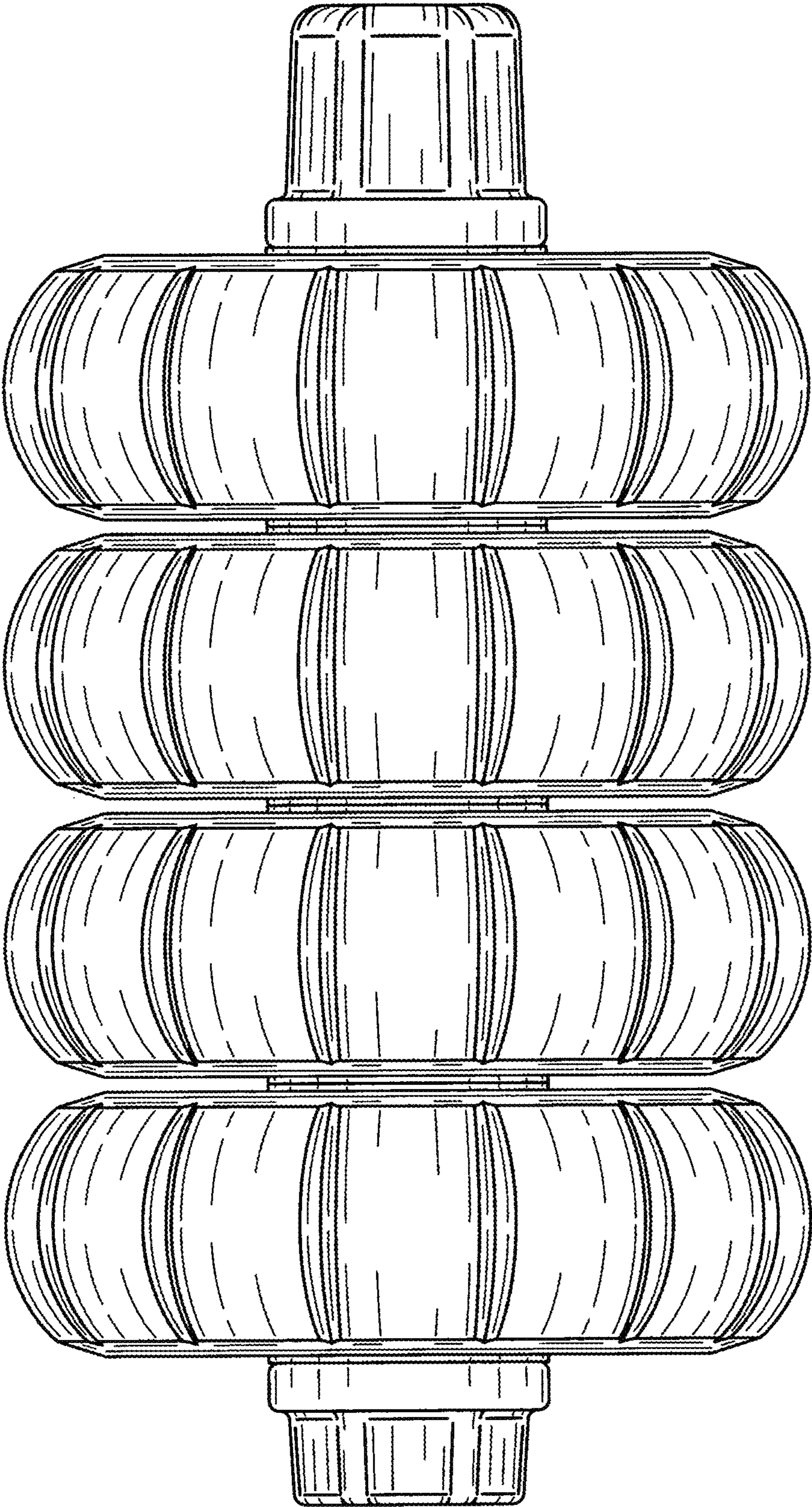


FIG. 5

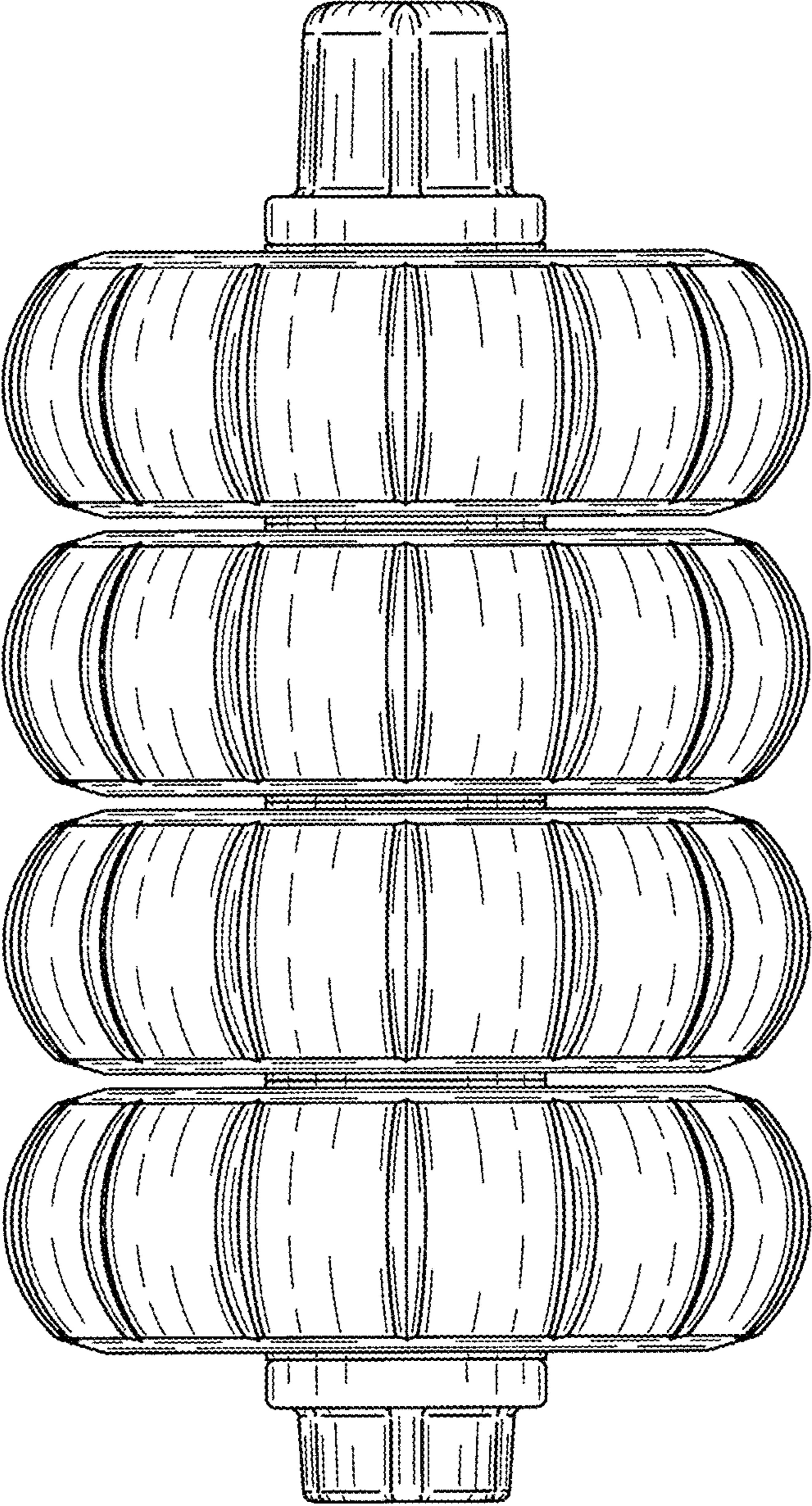


FIG. 6