



US00D804041S

(12) **United States Design Patent** (10) **Patent No.:** **US D804,041 S**
Black (45) **Date of Patent:** **** *Nov. 28, 2017**

(54) **PORTABLE MEDICAL FREEZER CART**

(71) Applicant: **Jay Black**, Escondido, CA (US)

(72) Inventor: **Jay Black**, Escondido, CA (US)

(73) Assignee: **BIOFRIDGE INC.**, Escondido, CA (US)

(*) Notice: This patent is subject to a terminal disclaimer.

(**) Term: **15 Years**

(21) Appl. No.: **29/569,885**

(22) Filed: **Jun. 30, 2016**

(51) **LOC (10) Cl.** **24-02**

(52) **U.S. Cl.**
USPC **D24/185**

(58) **Field of Classification Search**
USPC D24/158-160, 164, 170, 177, 183-186,
D24/231; D4/406.1-406.2; D13/163;
D6/406.1-406.2; D34/12-37
CPC F16M 11/42; F16M 2013/025; F16M
2013/026; F16M 2013/027; A61M
5/1415; A61B 50/10; A61B 50/13; A61B
8/4405; A47C 7/004; A47C 7/006; A47B
13/023; A47B 2013/025; A47B 2013/026;
A47B 2013/027

See application file for complete search history.

(56) **References Cited**

U.S. PATENT DOCUMENTS

D136,305 S	9/1943	Teeter	
D148,128 S *	12/1947	Brottman	280/3
2,522,623 A	9/1950	Likes et al.	
D197,282 S *	1/1964	Gusdorf	D34/21
D256,587 S	8/1980	Tatsumi	
D285,692 S	9/1986	Albiez	
D297,677 S *	9/1988	Conn	D34/17

5,671,991 A	9/1997	Grant	
5,806,943 A *	9/1998	Dell	A47B 21/00 108/147
D454,892 S	3/2002	Black et al.	
6,523,840 B1 *	2/2003	Koppes	B62B 3/144 280/33.991
D477,083 S *	7/2003	Bromley	D24/170
D525,592 S *	7/2006	Nguyen	D13/163
D568,258 S *	5/2008	Adam	D13/163
D606,722 S *	12/2009	Walter	D34/12
D615,724 S *	5/2010	Girard	D24/185
D649,732 S *	11/2011	Muscara	D34/17
D693,742 S *	11/2013	Fredendall	D12/129
8,657,304 B1 *	2/2014	Fredendall	B62B 3/1496 280/33.993
D770,718 S *	11/2016	Fredendall	D34/27

* cited by examiner

Primary Examiner — Sheryl Lane

Assistant Examiner — Calvin E Vansant

(74) *Attorney, Agent, or Firm* — Gary L. Eastman, Esq.;
Eastman & McCartney LLP

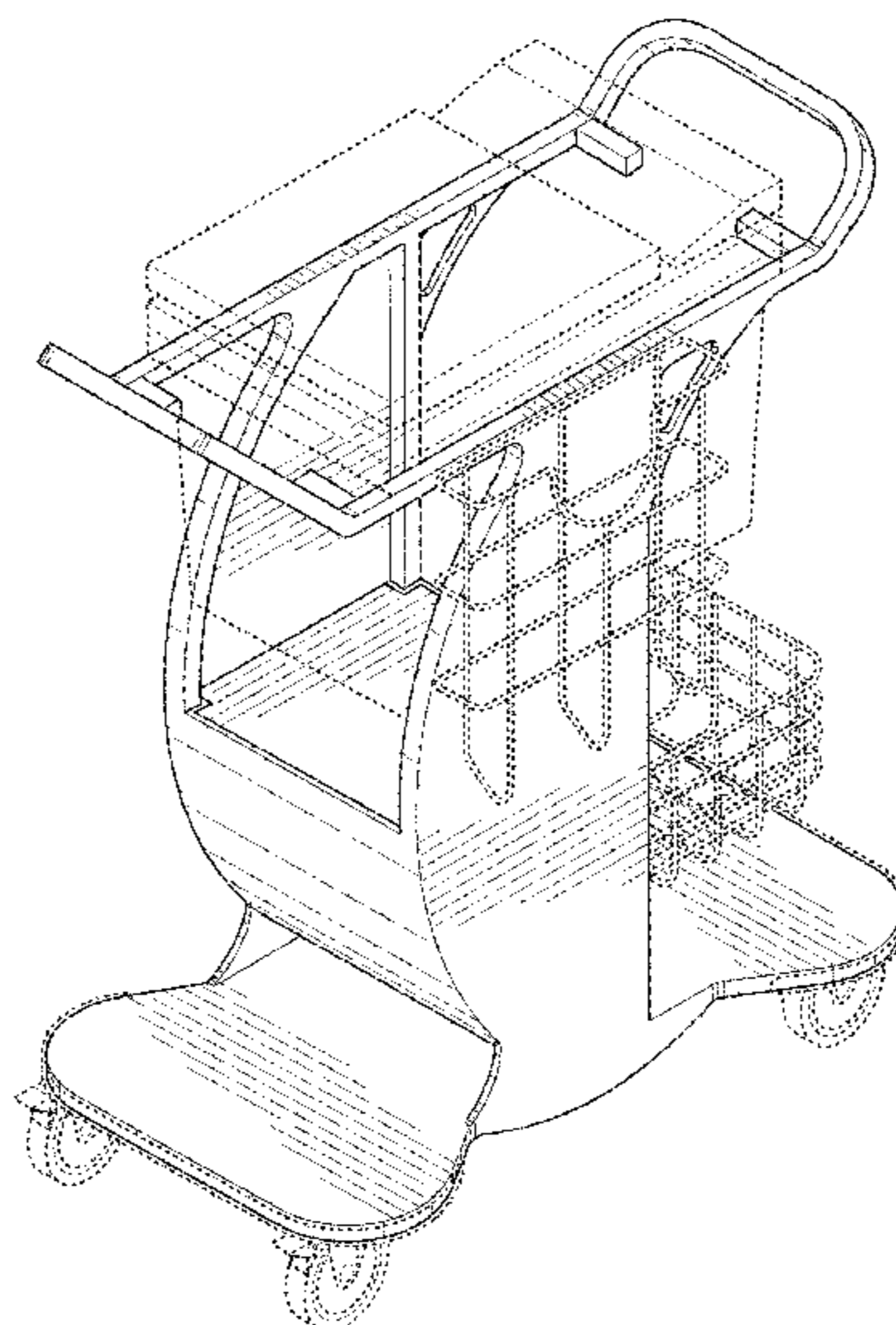
(57) **CLAIM**

The ornamental design for a portable medical freezer cart, as shown and described.

DESCRIPTION

FIG. 1 is a top-front-right perspective view of a portable medical freezer cart;
FIG. 2 is a bottom-back-right perspective view thereof;
FIG. 3 is a top-front perspective view thereof;
FIG. 4 is a front elevational view thereof;
FIG. 5 is a back elevational view thereof;
FIG. 6 is a right side elevational view thereof;
FIG. 7 is a left side elevational view thereof;
FIG. 8 is a top plan view thereof; and,
FIG. 9 is a bottom plan view thereof. The broken lines depict portions of the portable medical freezer cart and form no part of the claimed design.

1 Claim, 8 Drawing Sheets



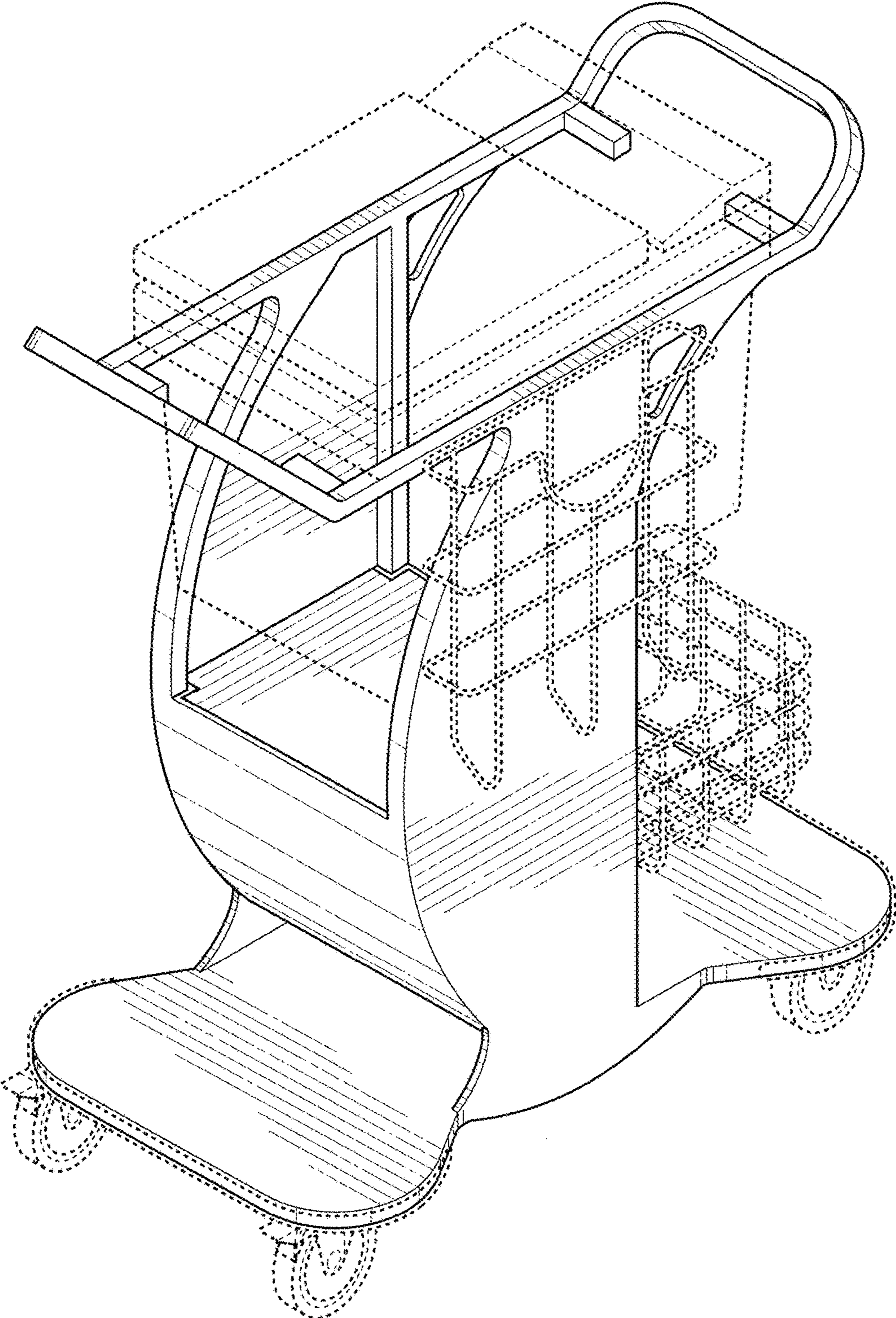


FIG. 1

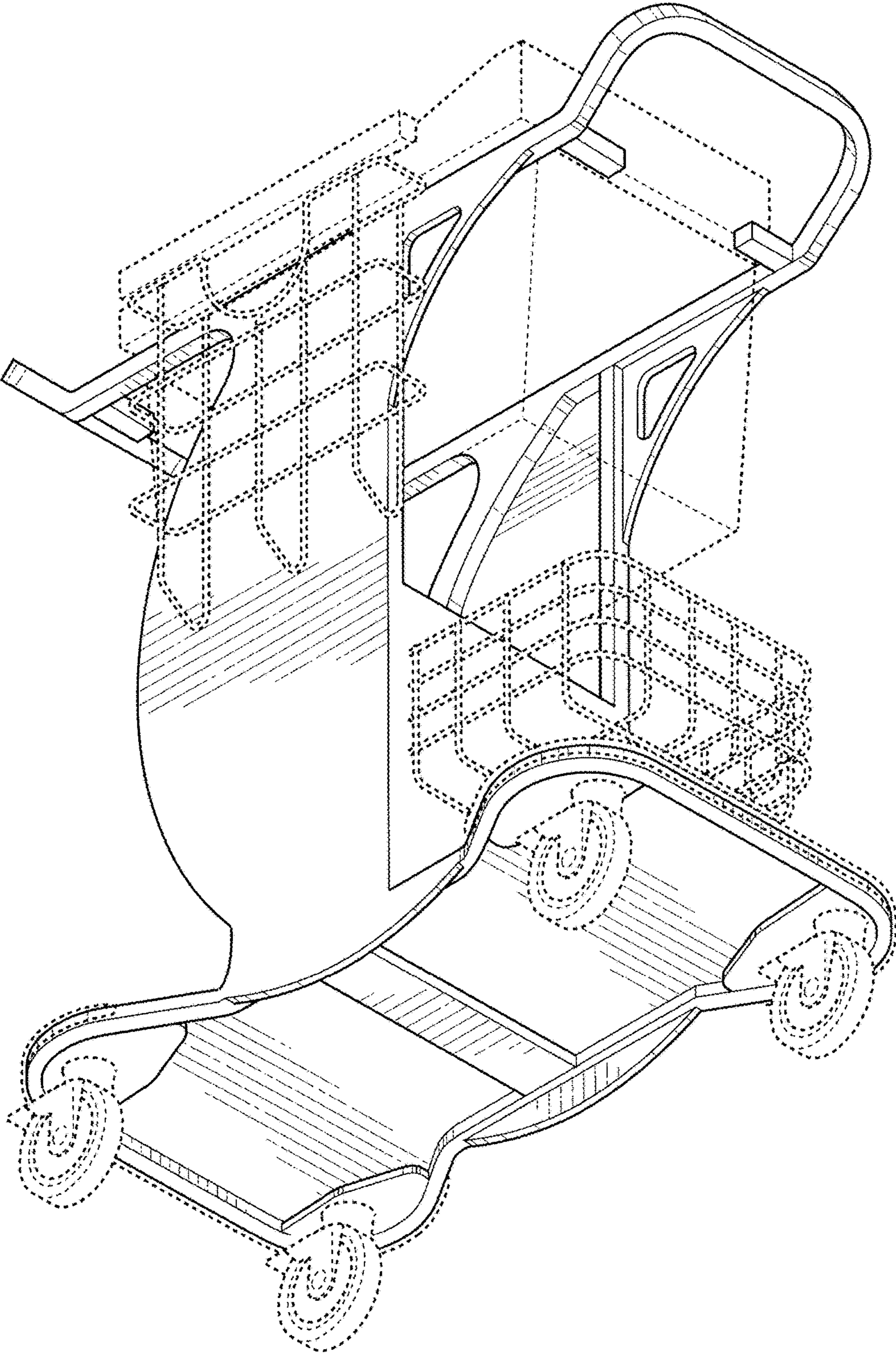


FIG. 2

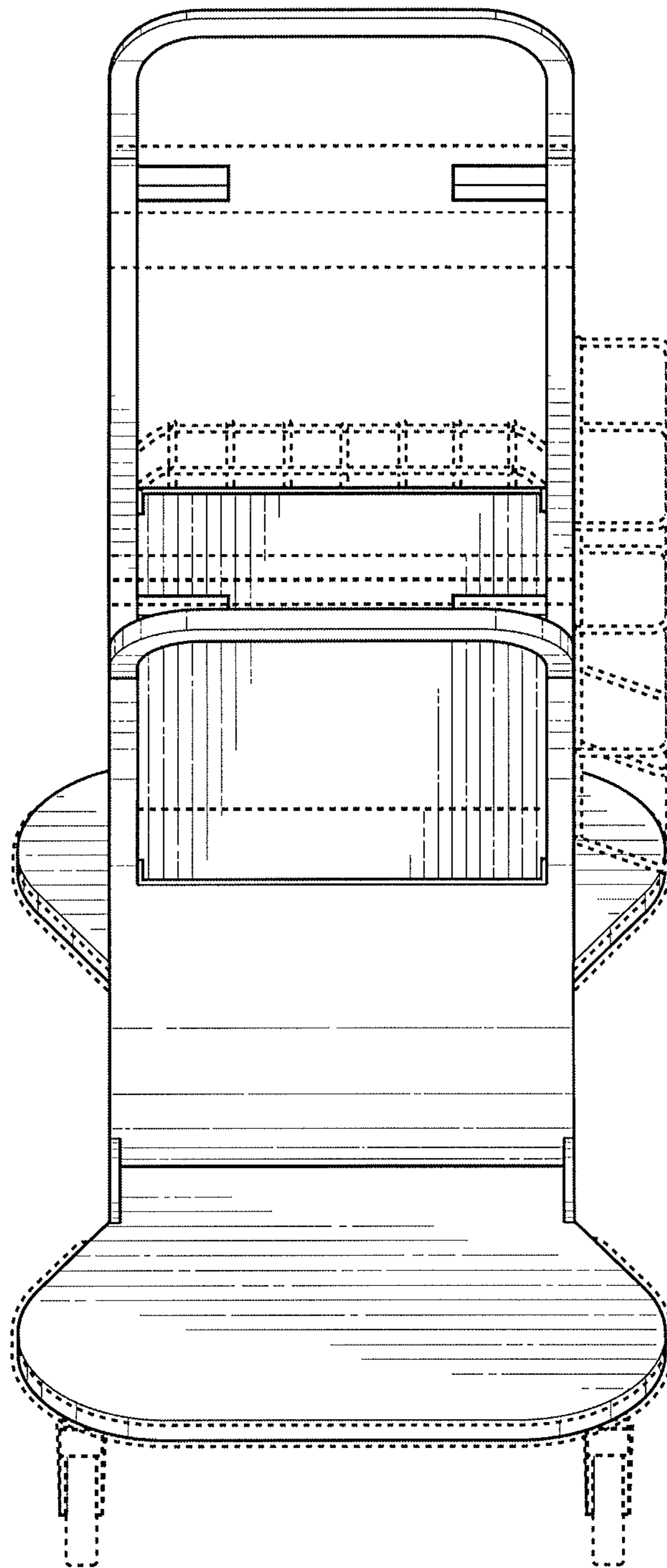


FIG. 3

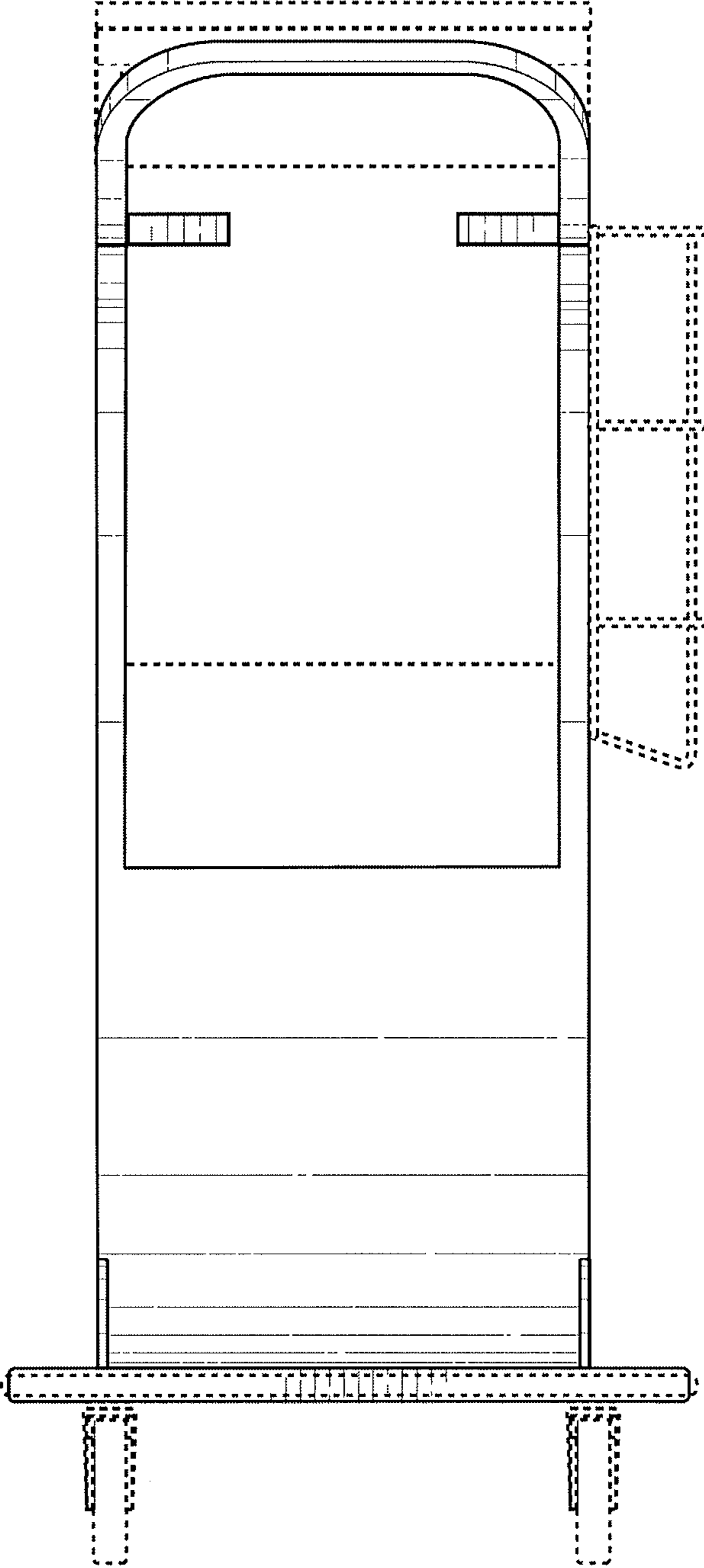


FIG. 4

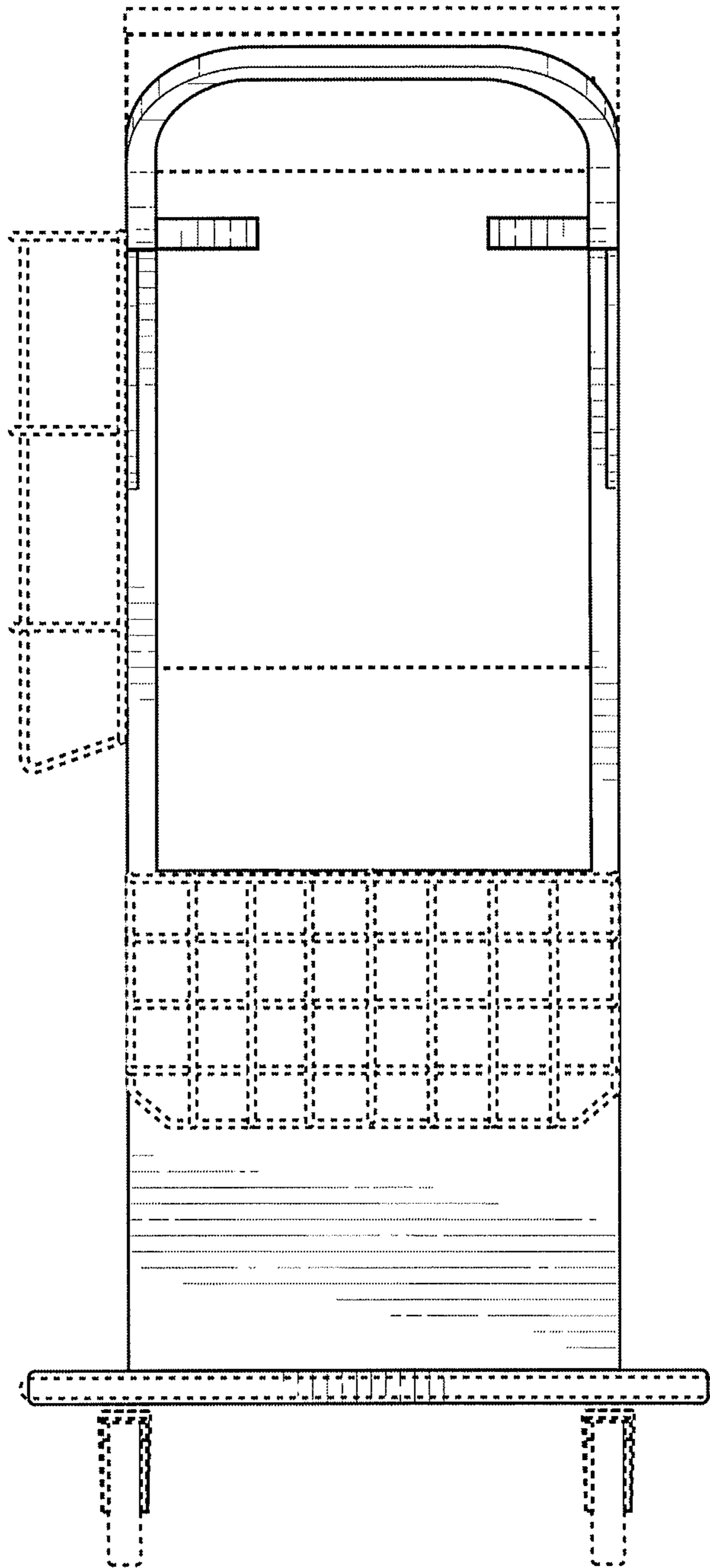


FIG. 5

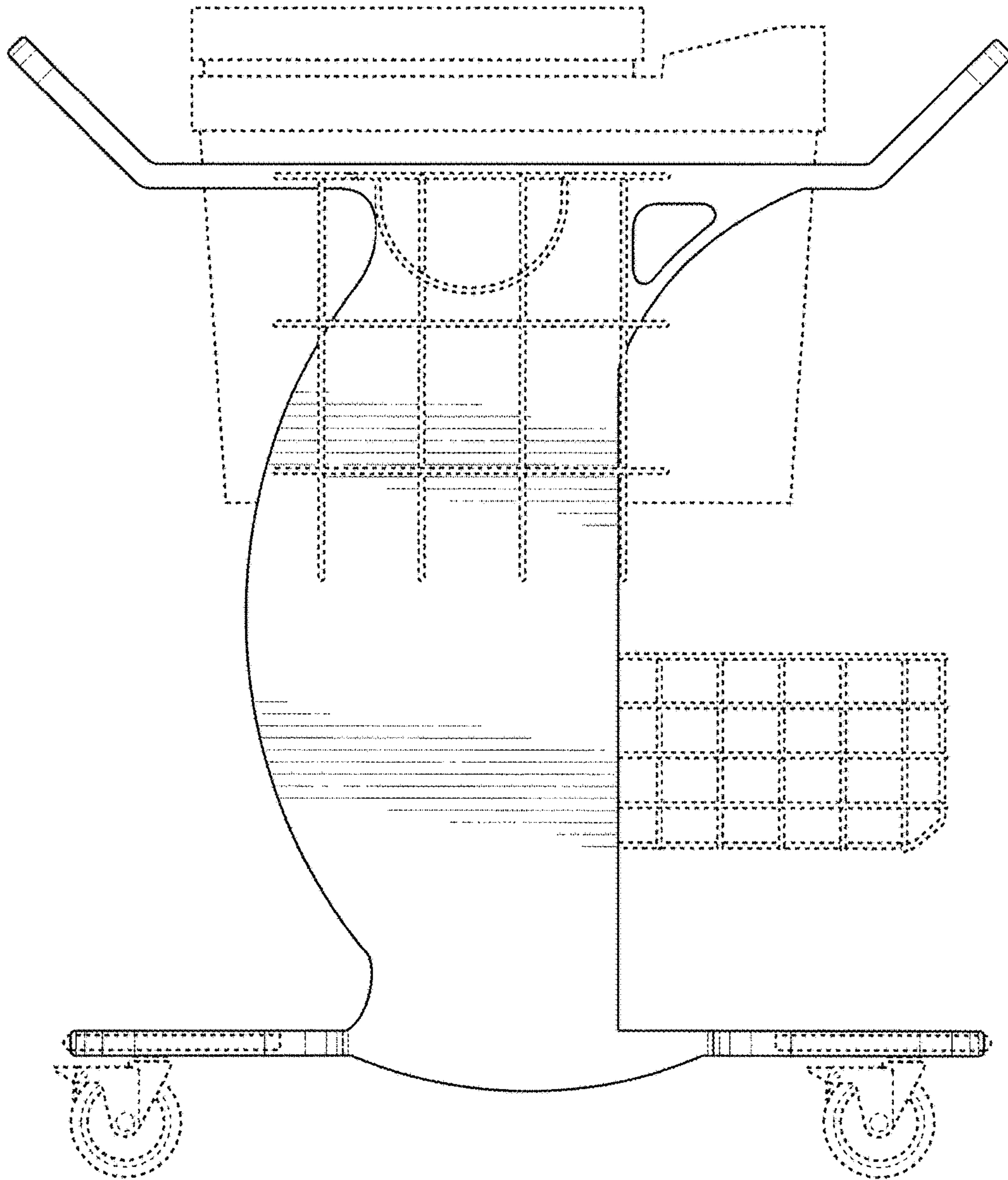


FIG. 6

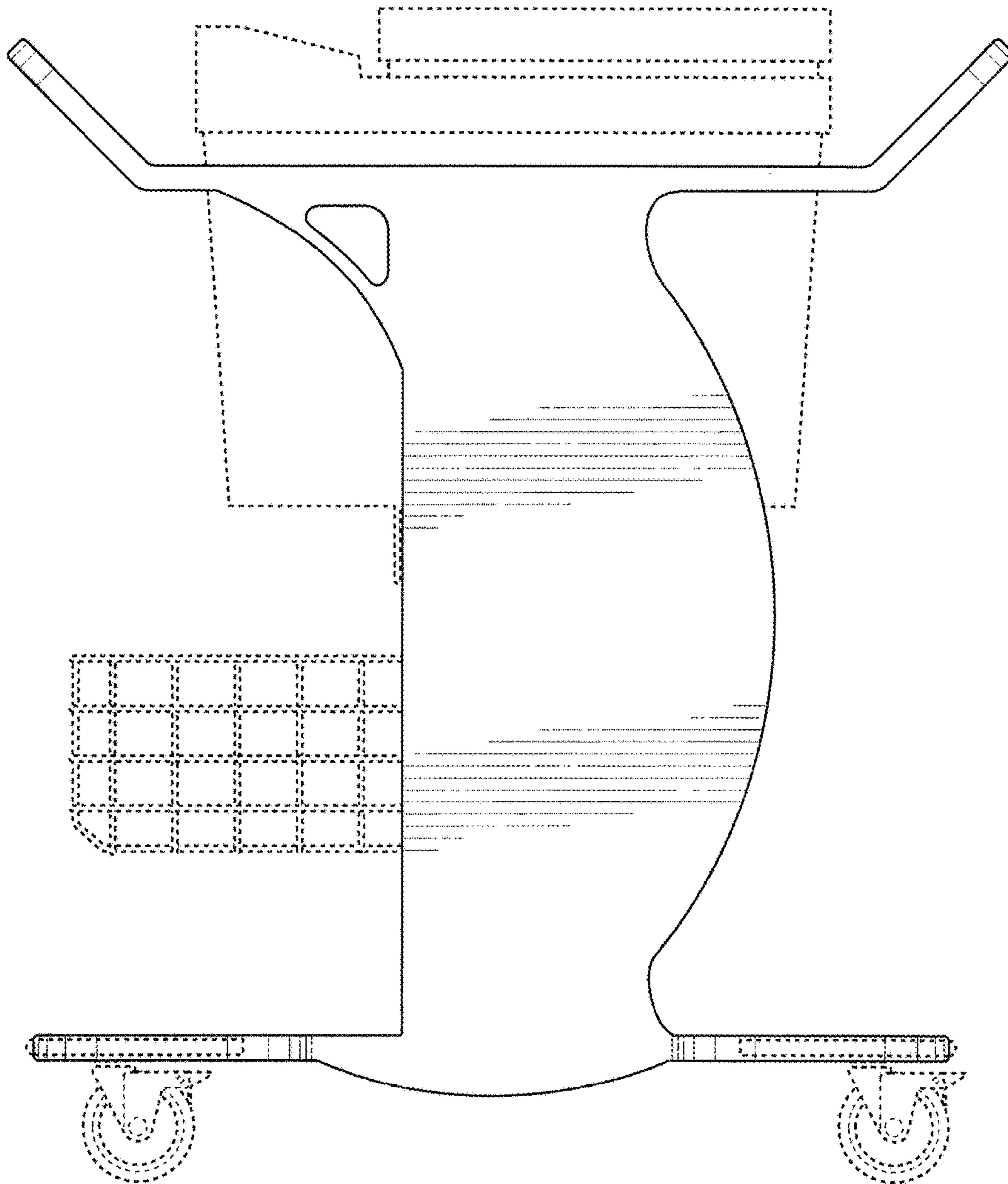


FIG. 7

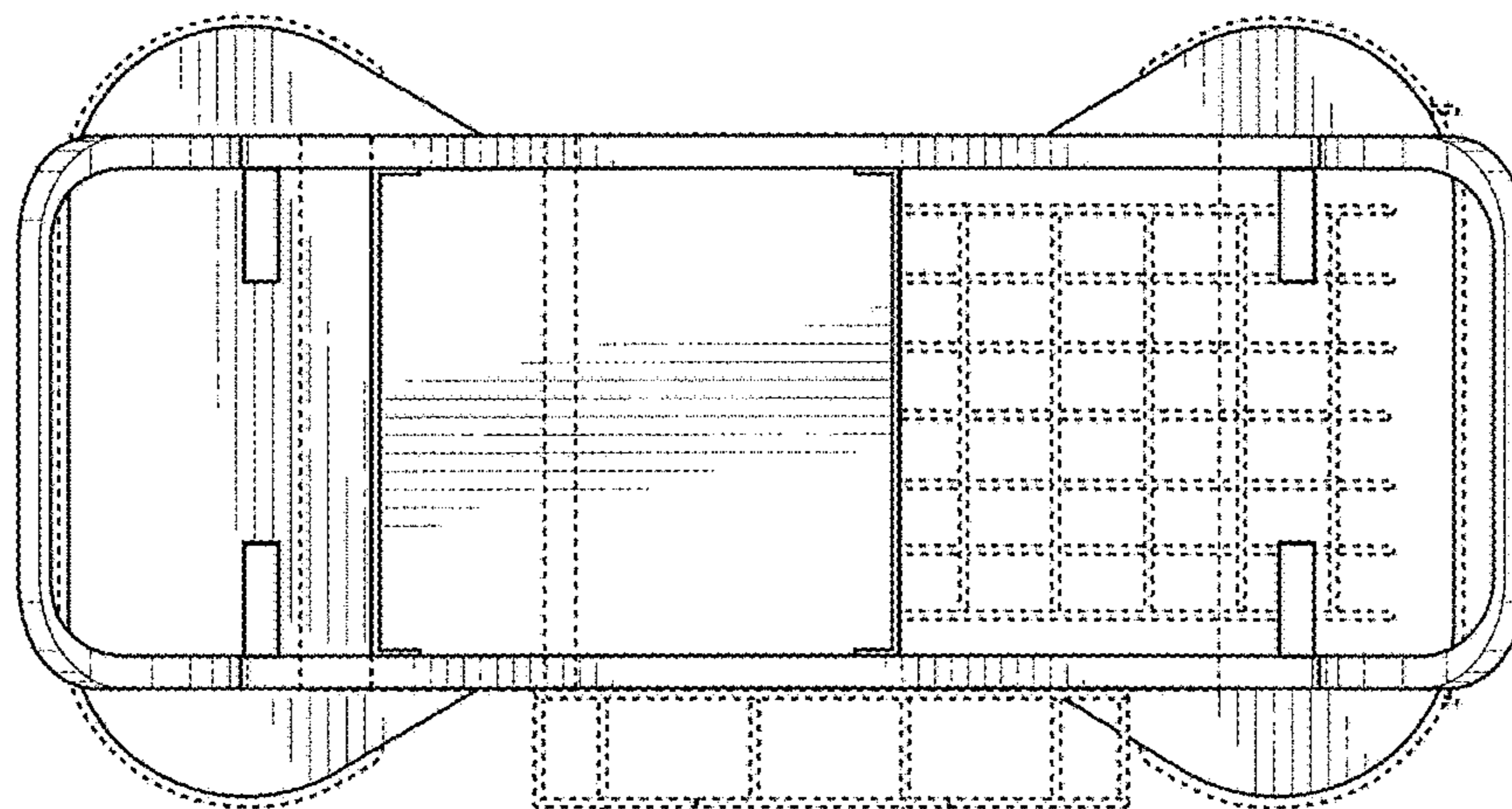


FIG. 8

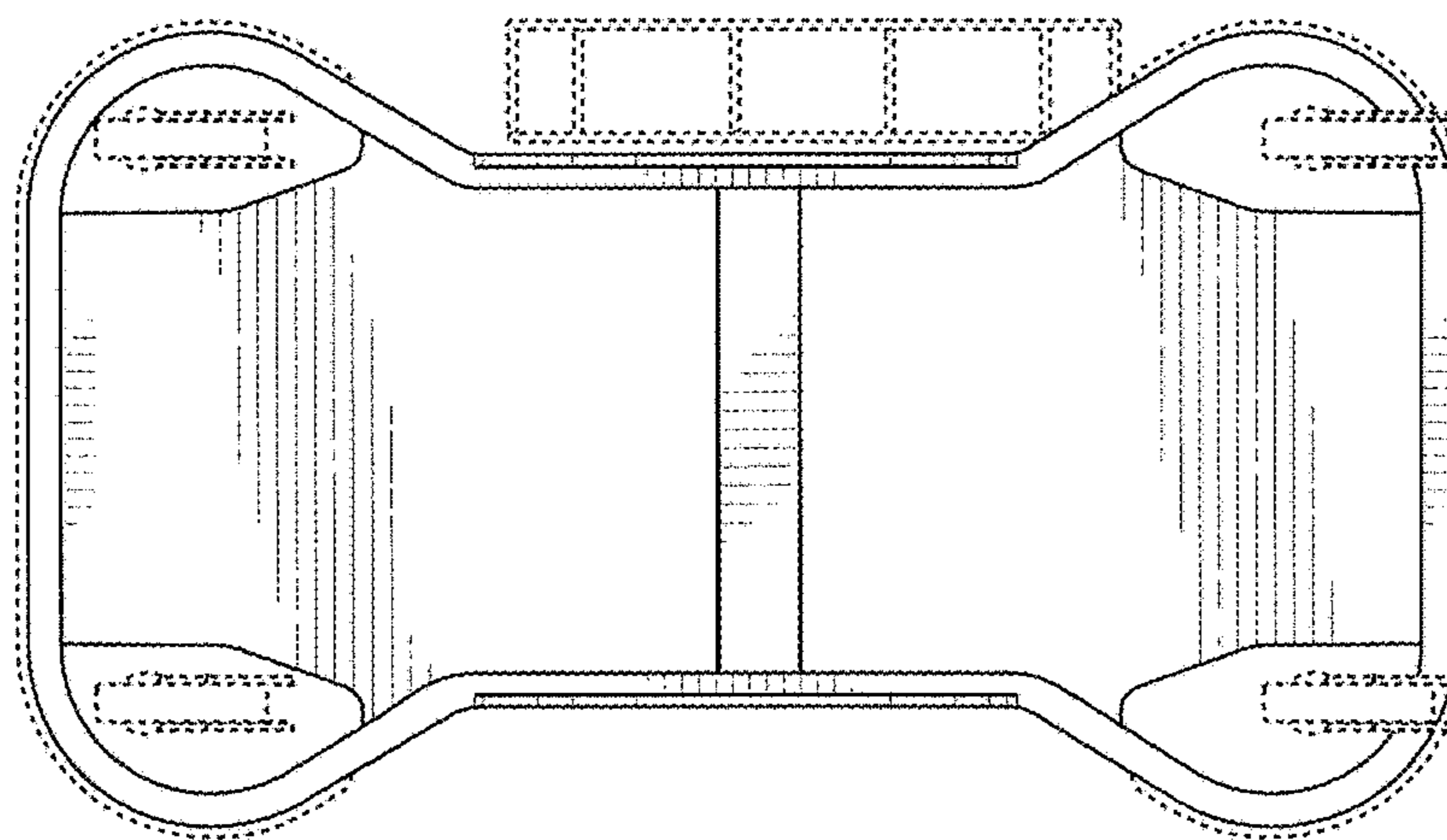


FIG. 9