



US00D804040S

(12) **United States Design Patent** (10) **Patent No.:** **US D804,040 S**
Black (45) **Date of Patent:** **** Nov. 28, 2017**

(54) **PORTABLE MEDICAL FREEZER CART**

5,230,524 A * 7/1993 Jackson A61G 5/00
180/907

(71) Applicant: **Jay Black**, Escondido, CA (US)

5,671,991 A 9/1997 Grant
D454,892 S 3/2002 Black et al.

(72) Inventor: **Jay Black**, Escondido, CA (US)

D478,198 S * 8/2003 Koppes D12/129

(73) Assignee: **BIOFRIDGE INC.**, Escondido, CA (US)

D501,807 S * 2/2005 Williamson D12/131

D606,722 S * 12/2009 Walter D34/12

D626,236 S * 10/2010 Ninomiya D24/185

D649,092 S * 11/2011 Durojaiye D12/131

D655,880 S * 3/2012 Giampavolo D34/12

D657,469 S * 4/2012 Vilas D24/185

(**) Term: **15 Years**

* cited by examiner

(21) Appl. No.: **29/569,882**

Primary Examiner — Sheryl Lane

(22) Filed: **Jun. 30, 2016**

Assistant Examiner — Calvin E Vansant

(51) **LOC (10) Cl.** **24-02**

(74) *Attorney, Agent, or Firm* — Gary L. Eastman, Esq.;

(52) **U.S. Cl.**

Eastman & McCartney LLP

USPC **D24/185**

(58) **Field of Classification Search**

(57) **CLAIM**

USPC D24/158–160, 164, 170, 177, 183–186,
D24/231; D4/406.1–406.2; D13/163;
D6/406.1–406.2; D34/12–37

The ornamental design for a portable medical freezer cart, a shown and described.

CPC F16M 11/42; F16M 2013/025; F16M
2013/026; F16M 2013/027; A61M
5/1415; A61B 50/10; A61B 50/13; A61B
8/4405; A47C 7/004; A47C 7/006; A47B
13/023; A47B 2013/025; A47B 2013/026;
A47B 2013/027

DESCRIPTION

See application file for complete search history.

FIG. 1 is a top-front-left perspective view of the portable medical freezer cart;
FIG. 2 is a back-right-bottom perspective view thereof;
FIG. 3 is a front-top perspective view thereof;
FIG. 4 is a right side elevational view thereof;
FIG. 5 is a left side elevational view thereof;
FIG. 6 is a back side elevational view thereof;
FIG. 7 is a front side elevational view thereof;
FIG. 8 is a top plan view thereof; and,
FIG. 9 is a bottom plan view thereof.

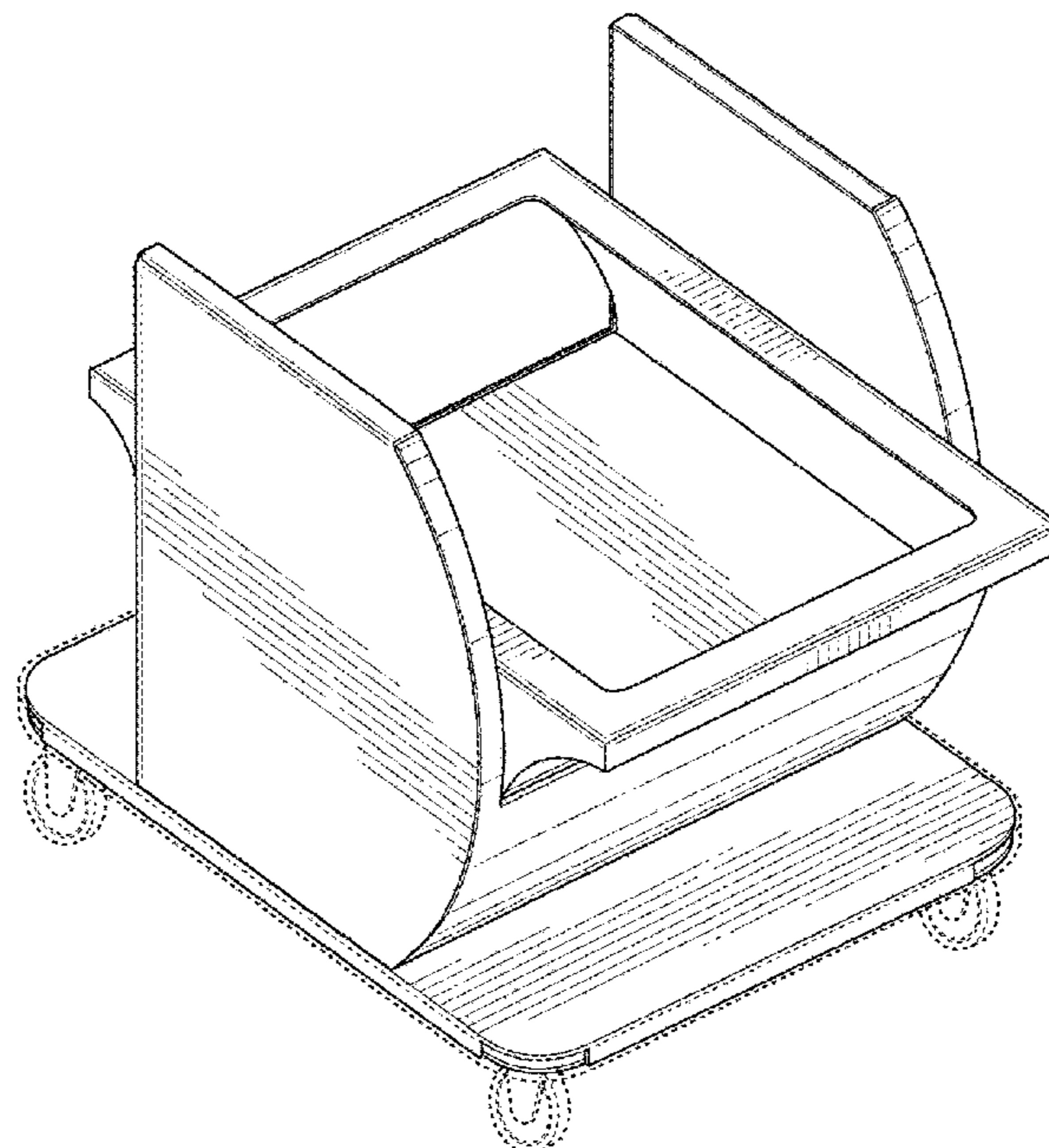
(56) **References Cited**

The broken lines depict portions of the portable medical freezer cart and form no part of the claimed design.

U.S. PATENT DOCUMENTS

D136,305 S 9/1943 Teeter
D155,785 S * 11/1949 Davis 280/47.35
2,522,623 A 9/1950 Likes et al.
D256,587 S 8/1980 Tatsumi
D285,692 S 9/1986 Albiez

1 Claim, 9 Drawing Sheets



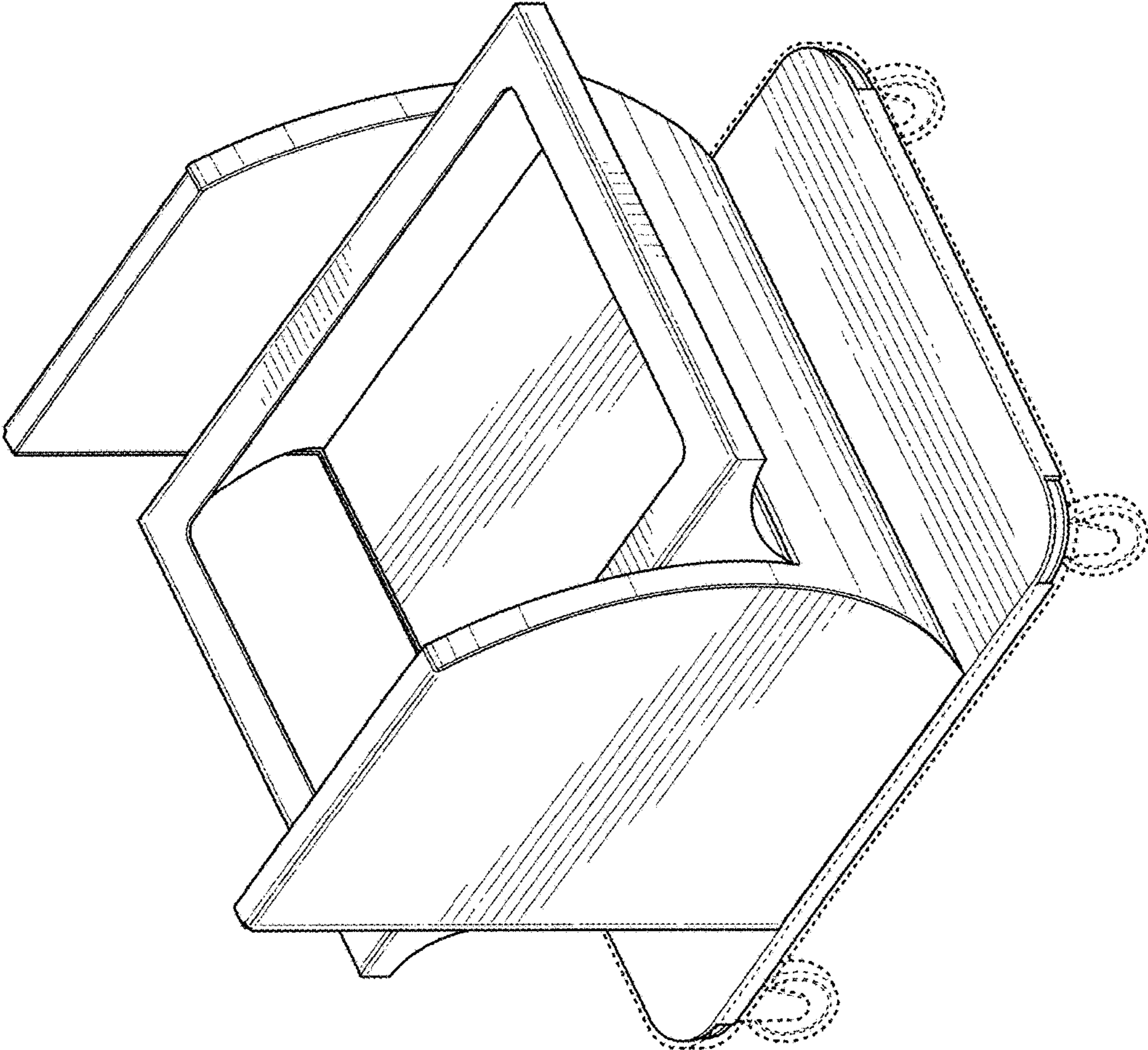


FIG. 1

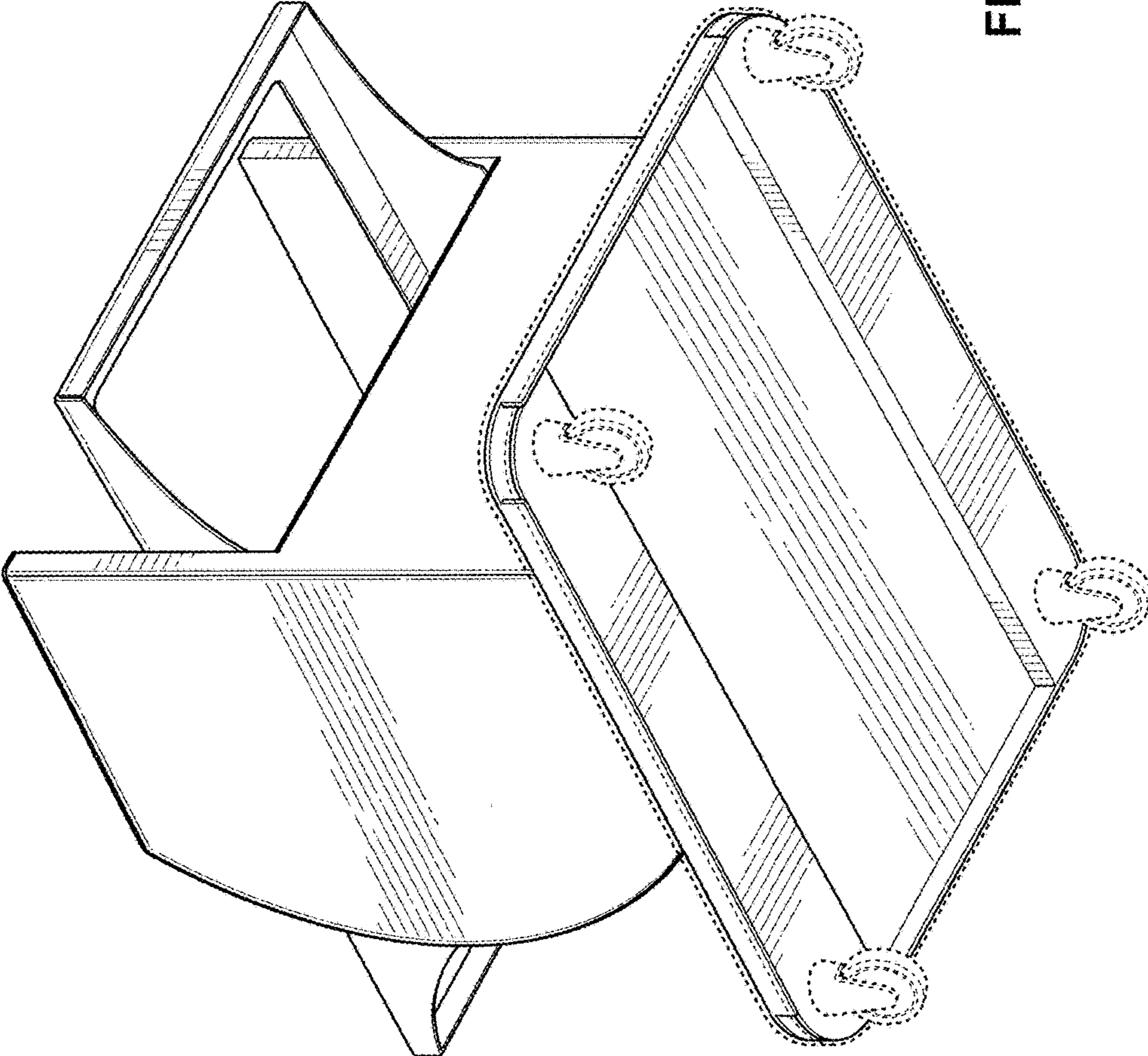


FIG. 2

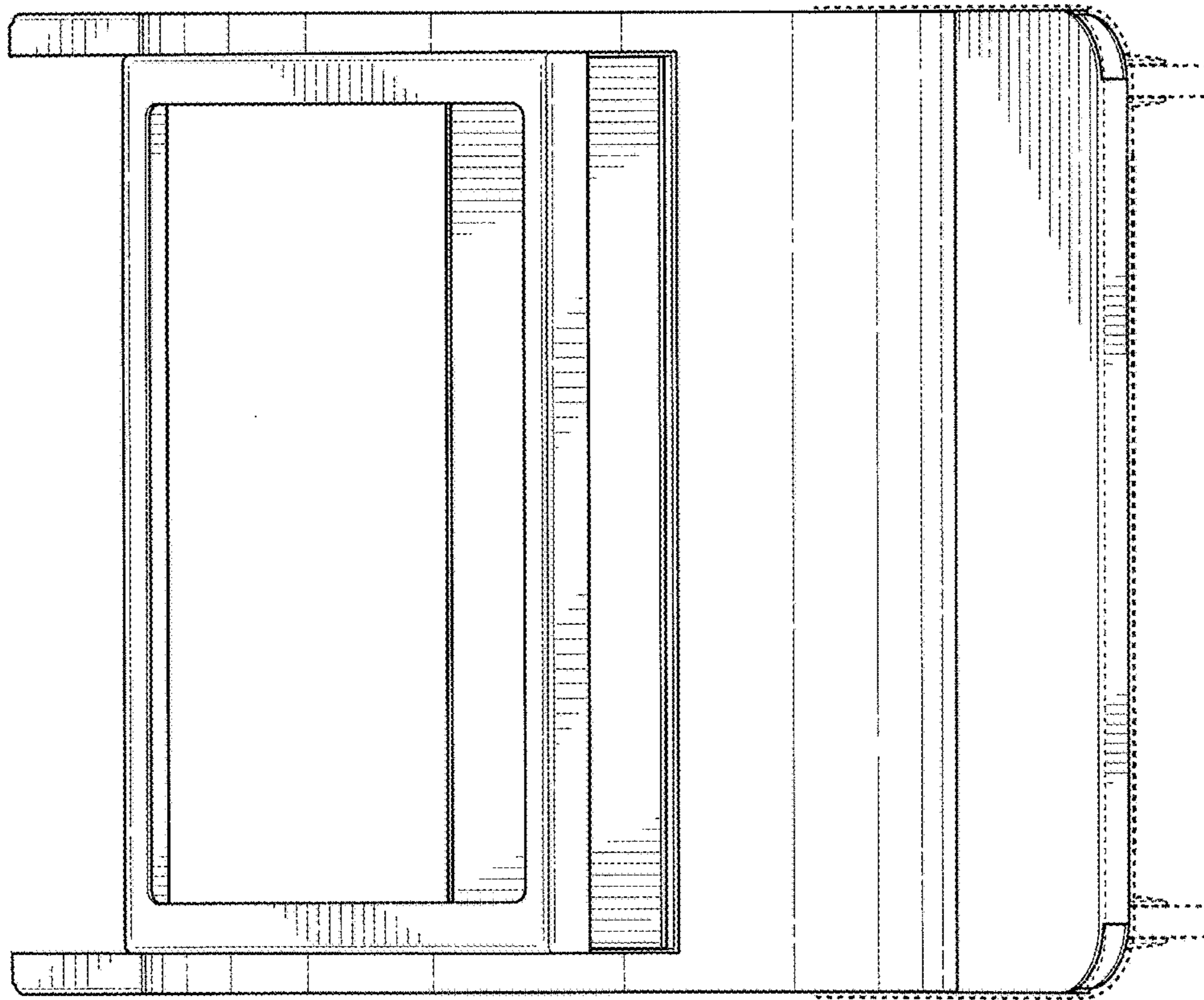
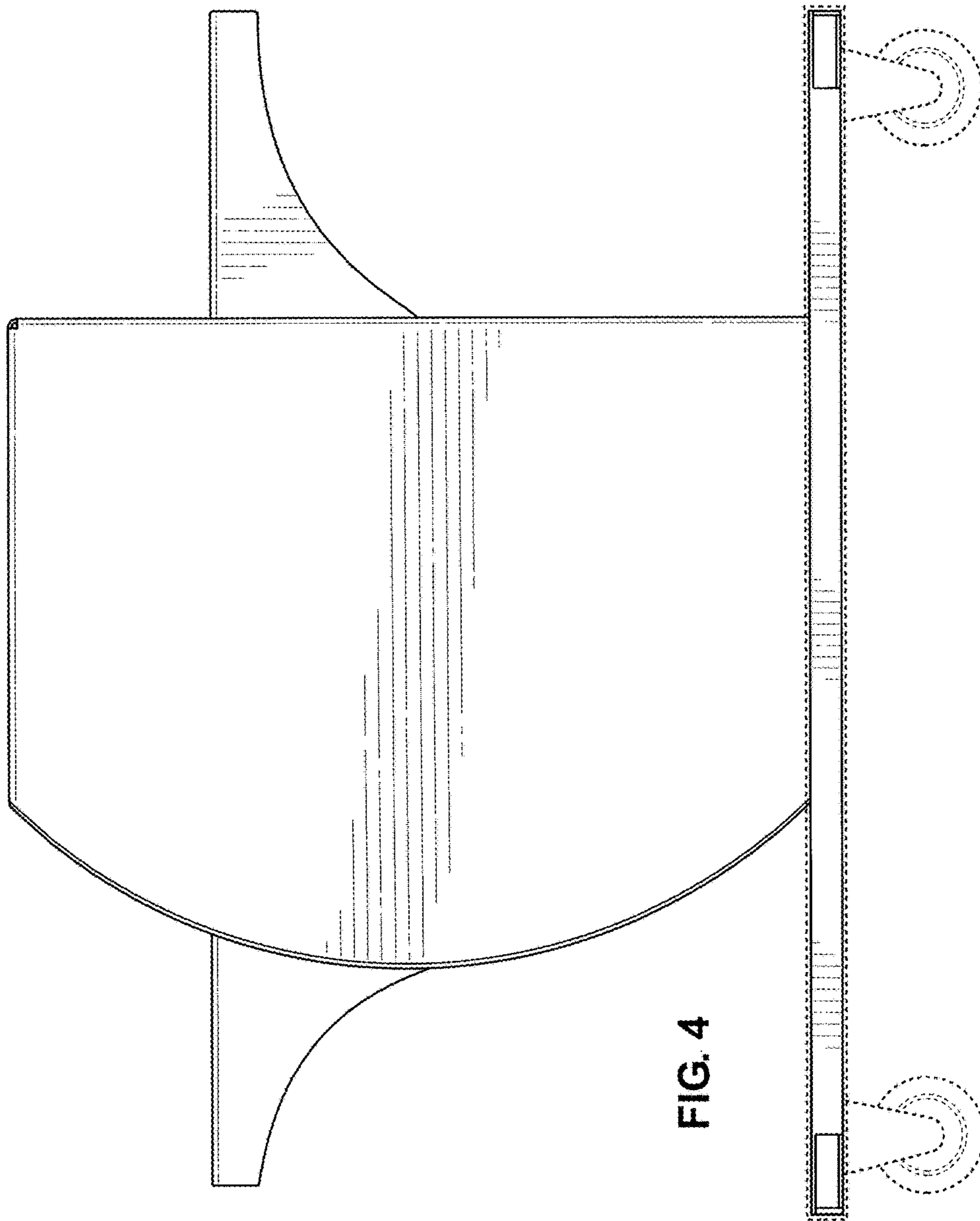


FIG. 3



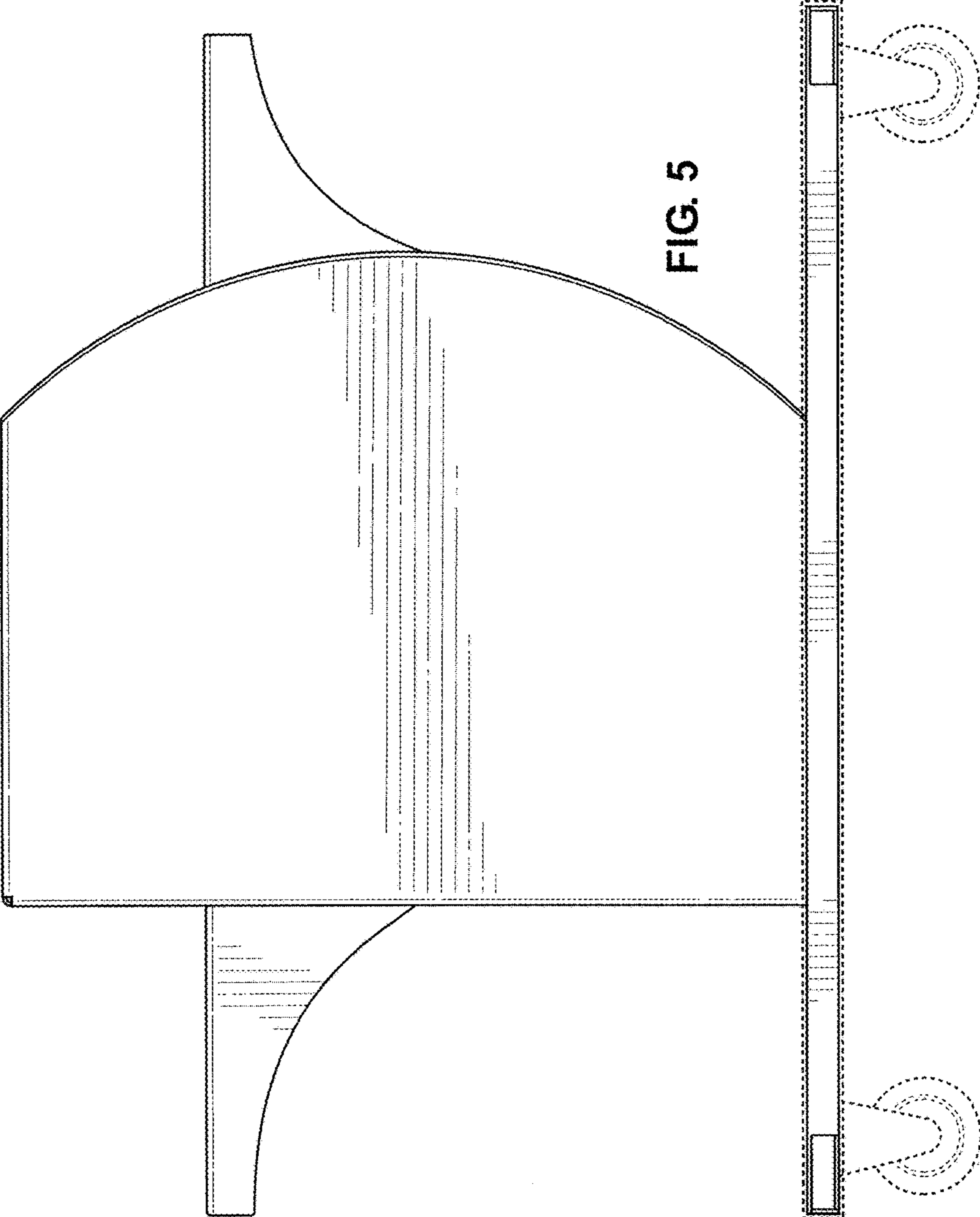


FIG. 6

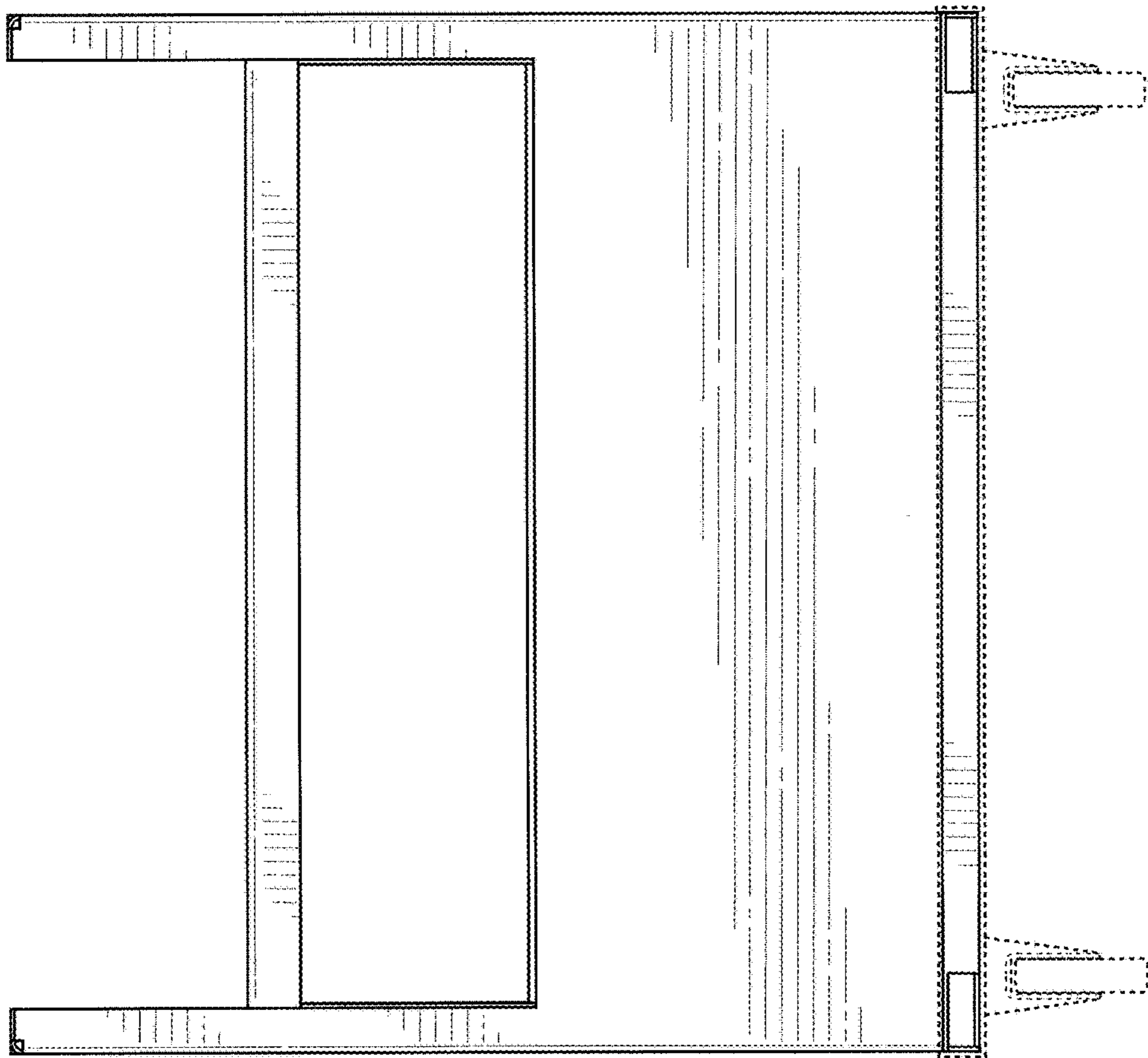
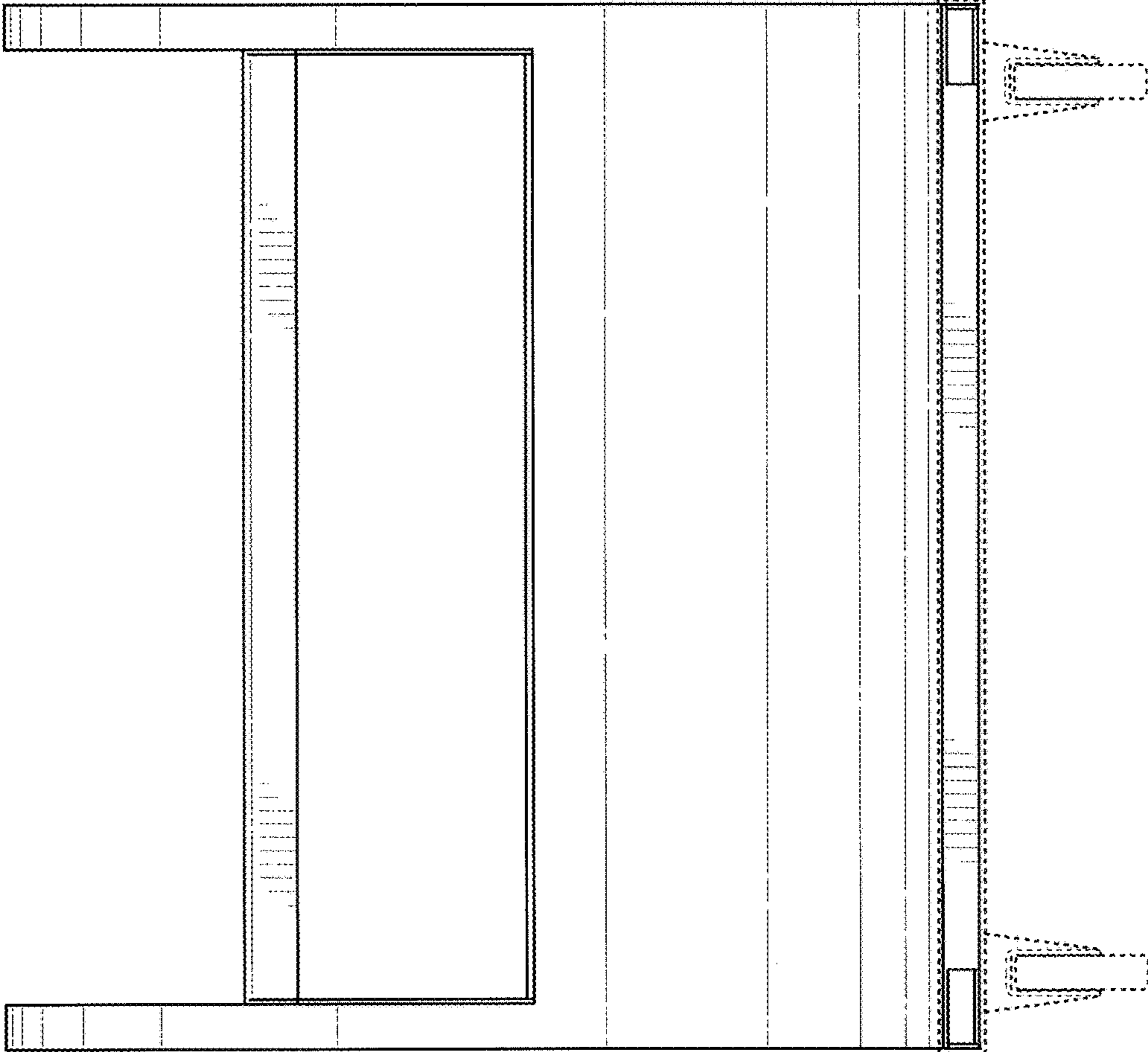


FIG. 7



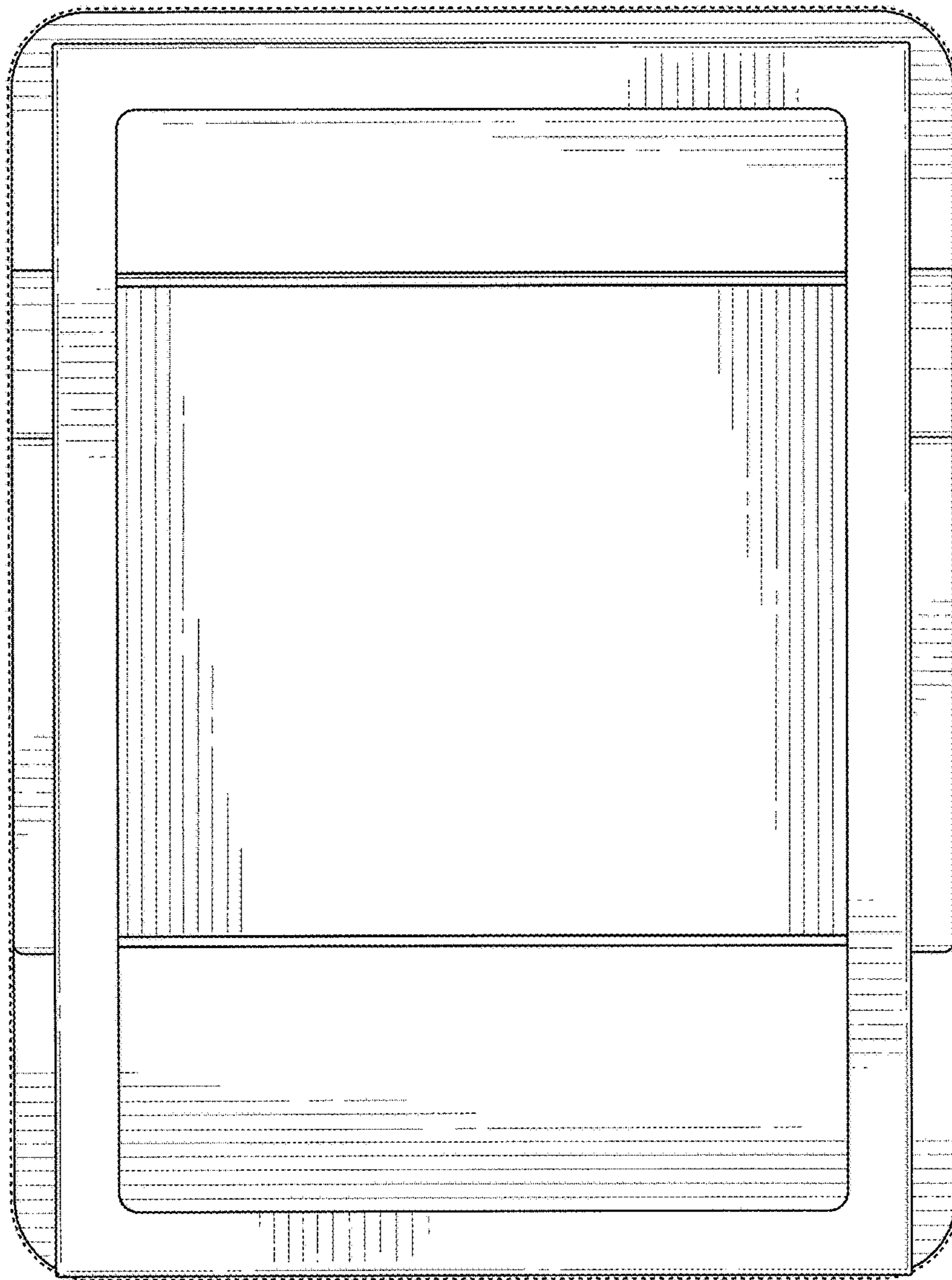


FIG 8

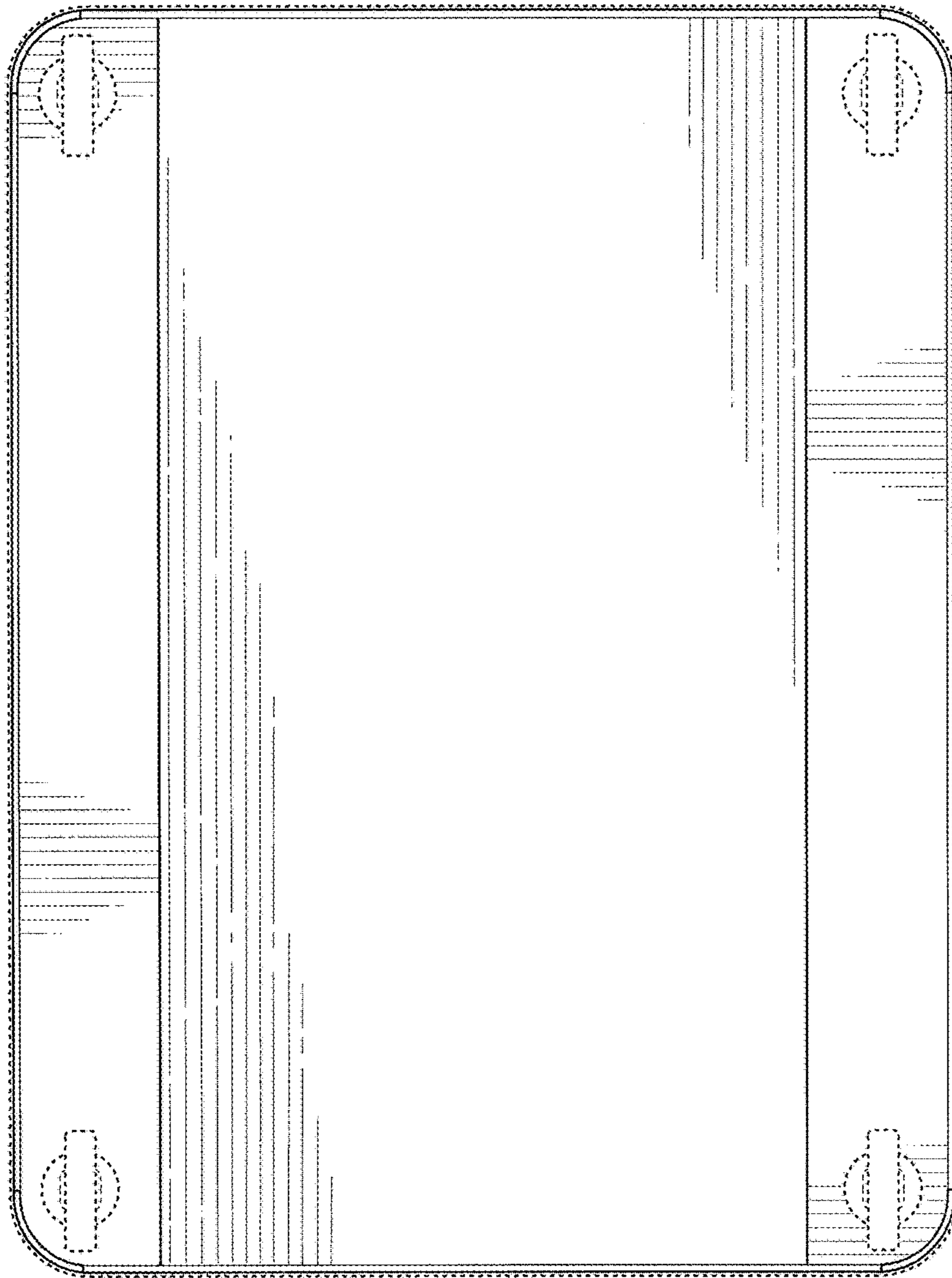


FIG. 9