



US00D804039S

(12) **United States Design Patent** (10) **Patent No.:** **US D804,039 S**  
**Patmore et al.** (45) **Date of Patent:** **\*\* Nov. 28, 2017**

(54) **BASE FOR MEDICAL ACCESSORY**

(71) Applicant: **Stryker Corporation**, Kalamazoo, MI (US)  
(72) Inventors: **Kevin Patmore**, Plainwell, MI (US); **Sarah Mynhier**, Seattle, WA (US); **Adam Dudycha**, Paw Paw, MI (US); **Bryce Porter**, Grand Rapids, MI (US); **Donald S. Strum**, Princeton, NJ (US); **Yuka Midorikawa-Haelters**, Langhorne, PA (US); **Matthew Schmitt**, Skillman, NJ (US); **William Robert Parcels**, Princeton, NJ (US)

(73) Assignee: **STRYKER CORPORATION**, Kalamazoo, MI (US)

(\*\*) Term: **15 Years**

(21) Appl. No.: **29/563,074**

(22) Filed: **May 2, 2016**

(51) **LOC (10) Cl.** ..... **24-02**

(52) **U.S. Cl.**  
USPC ..... **D24/185**

(58) **Field of Classification Search**  
USPC ..... D24/158-160, 164, 170, 177, 183-186, D24/231; D4/406.1-406.2; D13/163  
CPC ..... F16M 11/42; F16M 2013/025; F16M 2013/026; F16M 2013/027; A61M 5/1415; A61B 50/10; A61B 50/13; A61B 8/4405; A61B 13/023; A61B 2013/025; A61B 2013/026; A61B 2013/027; A47C 7/004; A47C 7/006  
See application file for complete search history.

(56) **References Cited**

**U.S. PATENT DOCUMENTS**

5,501,419 A \* 3/1996 Huang ..... A47C 7/004 248/188  
D377,282 S \* 1/1997 Chen ..... D6/708.23  
D503,052 S \* 3/2005 Chi ..... D6/366  
D606,202 S \* 12/2009 Banryu ..... D24/185

(Continued)

**OTHER PUBLICATIONS**

Boomerangs.com, Glow in the Dark Trifly Boomerang, undated online product page, retrieved May 4, 2017 from <URL:https://www.boomerangs.com/collections/ambidextrous-boomerangs/products/glow-in-the-dark-trifly-boomerang>.\*

*Primary Examiner* — Sheryl Lane  
*Assistant Examiner* — Calvin E Vansant  
(74) *Attorney, Agent, or Firm* — Howard & Howard Attorneys PLLC

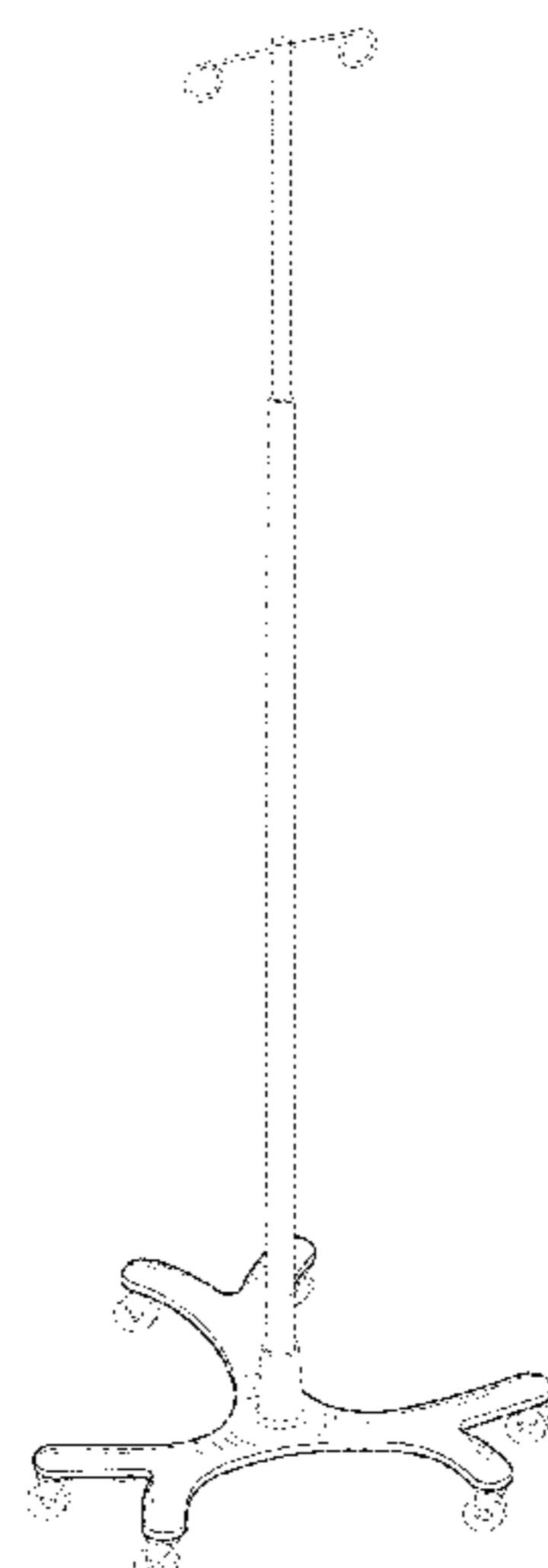
(57) **CLAIM**

The ornamental design for a base for medical accessory, as shown and described.

**DESCRIPTION**

FIG. 1 is a top perspective view of a base for a medical accessory;  
FIG. 2 is a bottom perspective view thereof; ps FIG. 3 is a front-side view thereof;  
FIG. 4 is a back-side view thereof;  
FIG. 5 is a right-side view thereof;  
FIG. 6 is a left-side view thereof;  
FIG. 7 is a top-side view thereof;  
FIG. 8 is a bottom-side view thereof;  
FIG. 9 is a top perspective view of a base for a medical accessory;  
FIG. 10 is a bottom perspective view thereof;  
FIG. 11 is a front-side view thereof;  
FIG. 12 is a back-side view thereof;  
FIG. 13 is a right-side view thereof;  
FIG. 14 is a left-side view thereof;  
FIG. 15 is a top-side view thereof; and,  
FIG. 16 is a bottom-side view thereof.  
The broken lines represent portions of the base for a medical accessory and environmental subject matter and form no part of the claimed design.

**1 Claim, 12 Drawing Sheets**



(56)

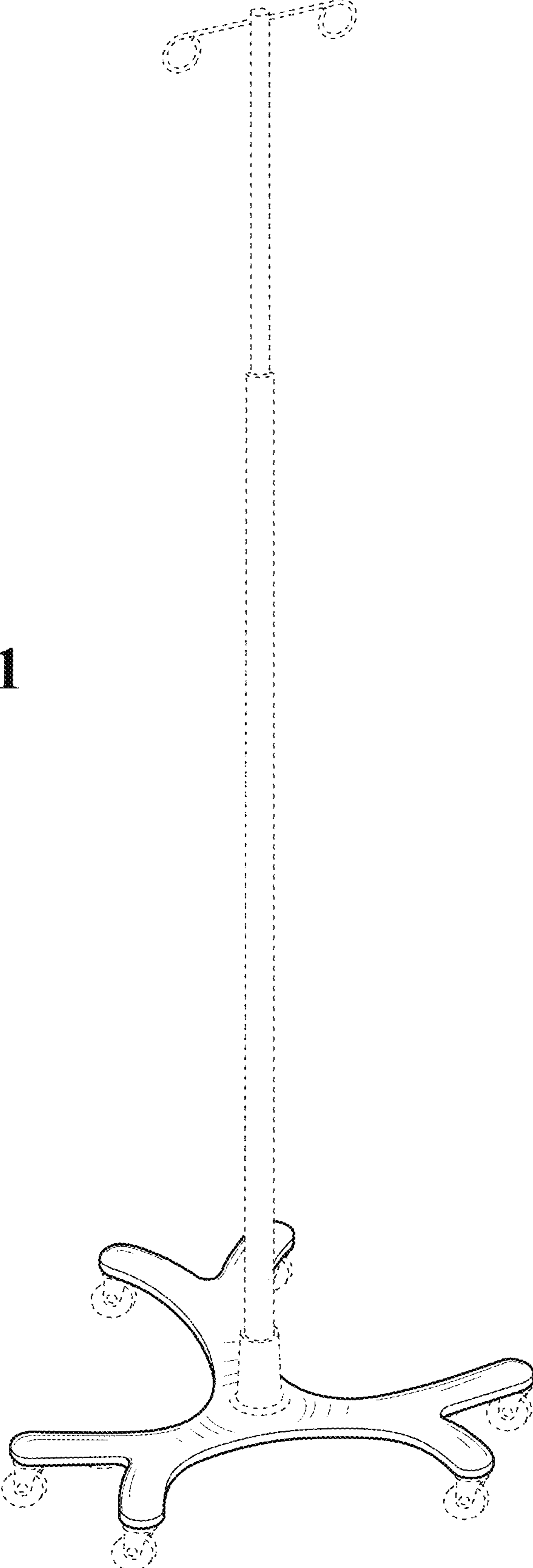
**References Cited**

U.S. PATENT DOCUMENTS

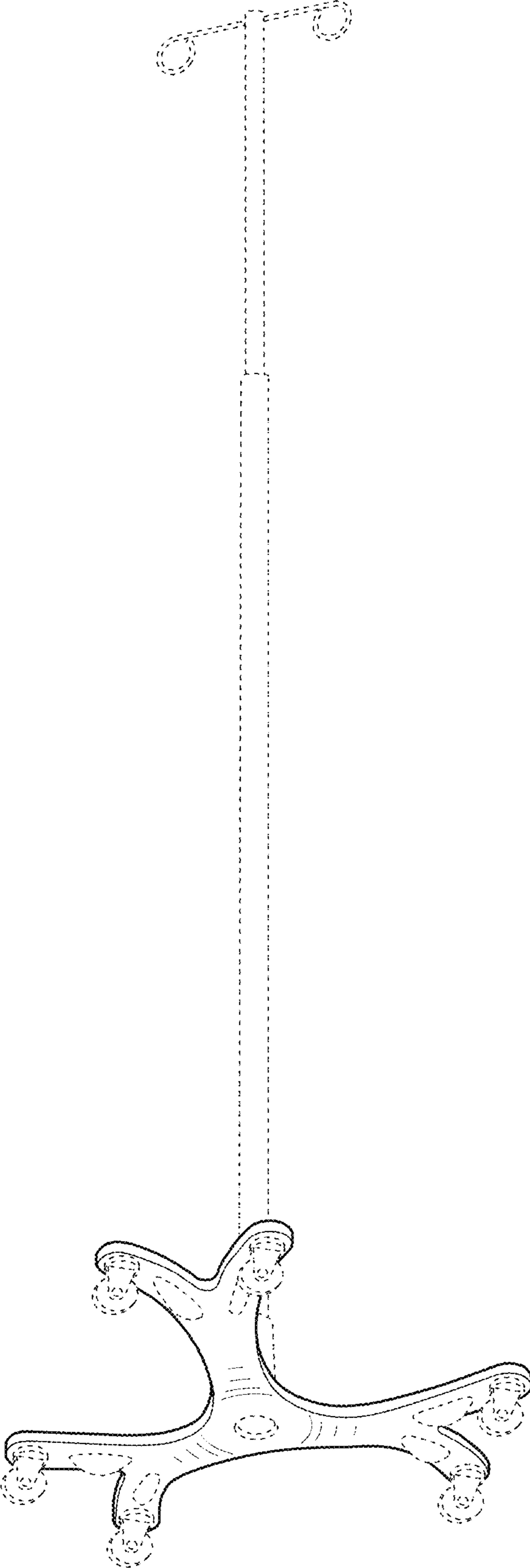
D783,837 S \* 4/2017 Janzen ..... D24/186  
2009/0321589 A1\* 12/2009 Hampton ..... A61M 5/1415  
248/121  
2014/0209550 A1\* 7/2014 Pryor ..... A61M 5/1417  
211/85.13

\* cited by examiner

**FIG. 1**



**FIG. 2**



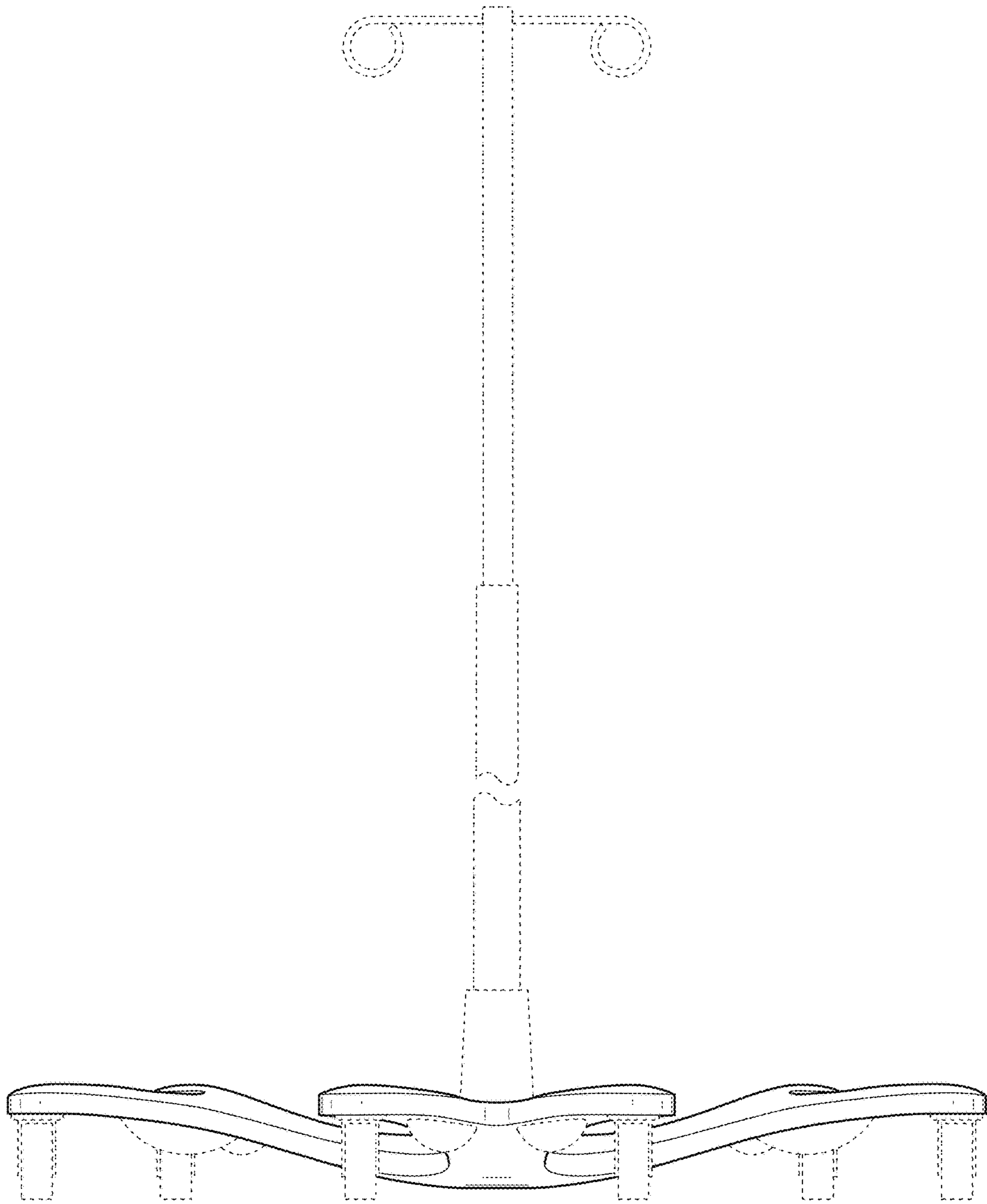


FIG. 3

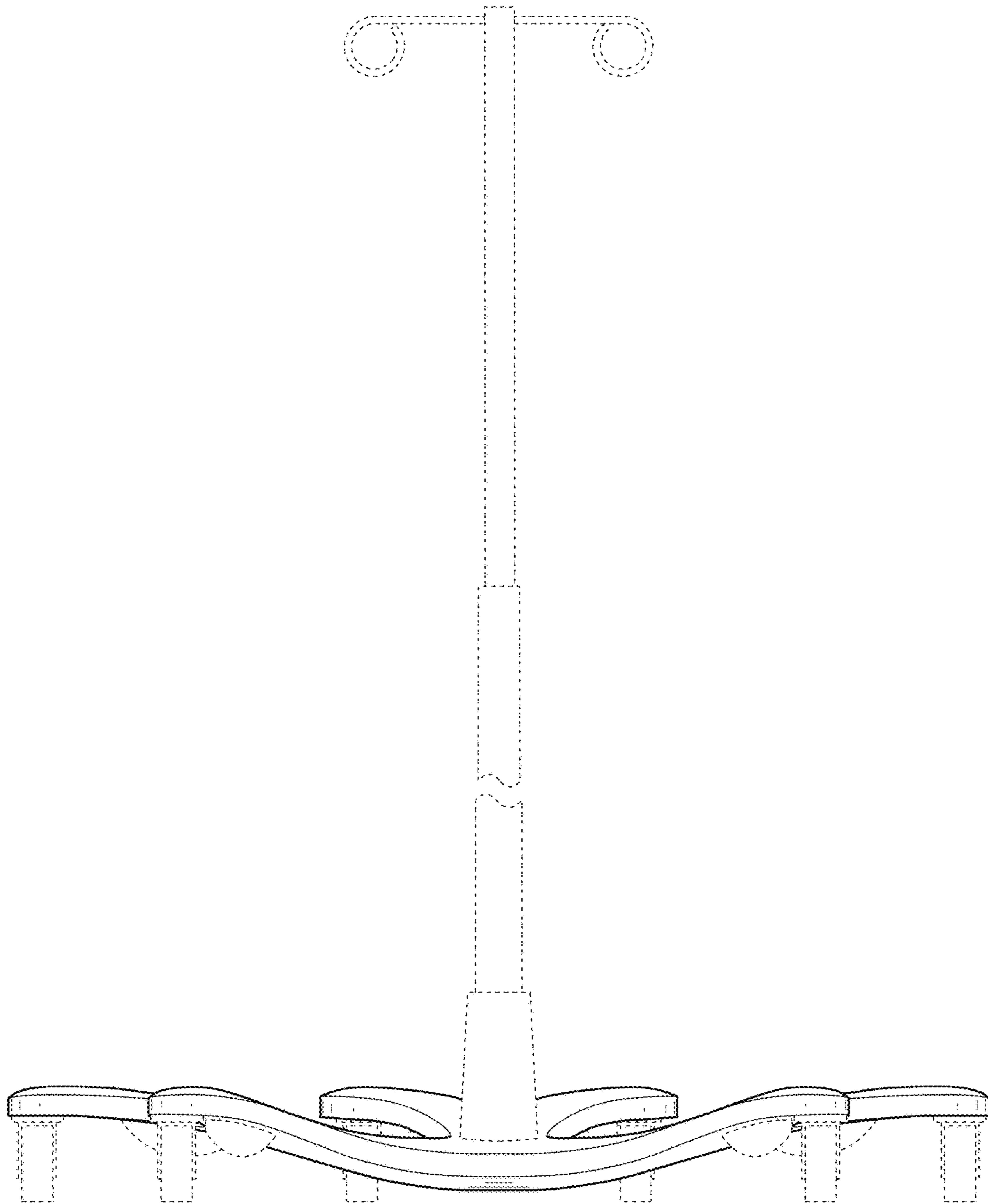


FIG. 4

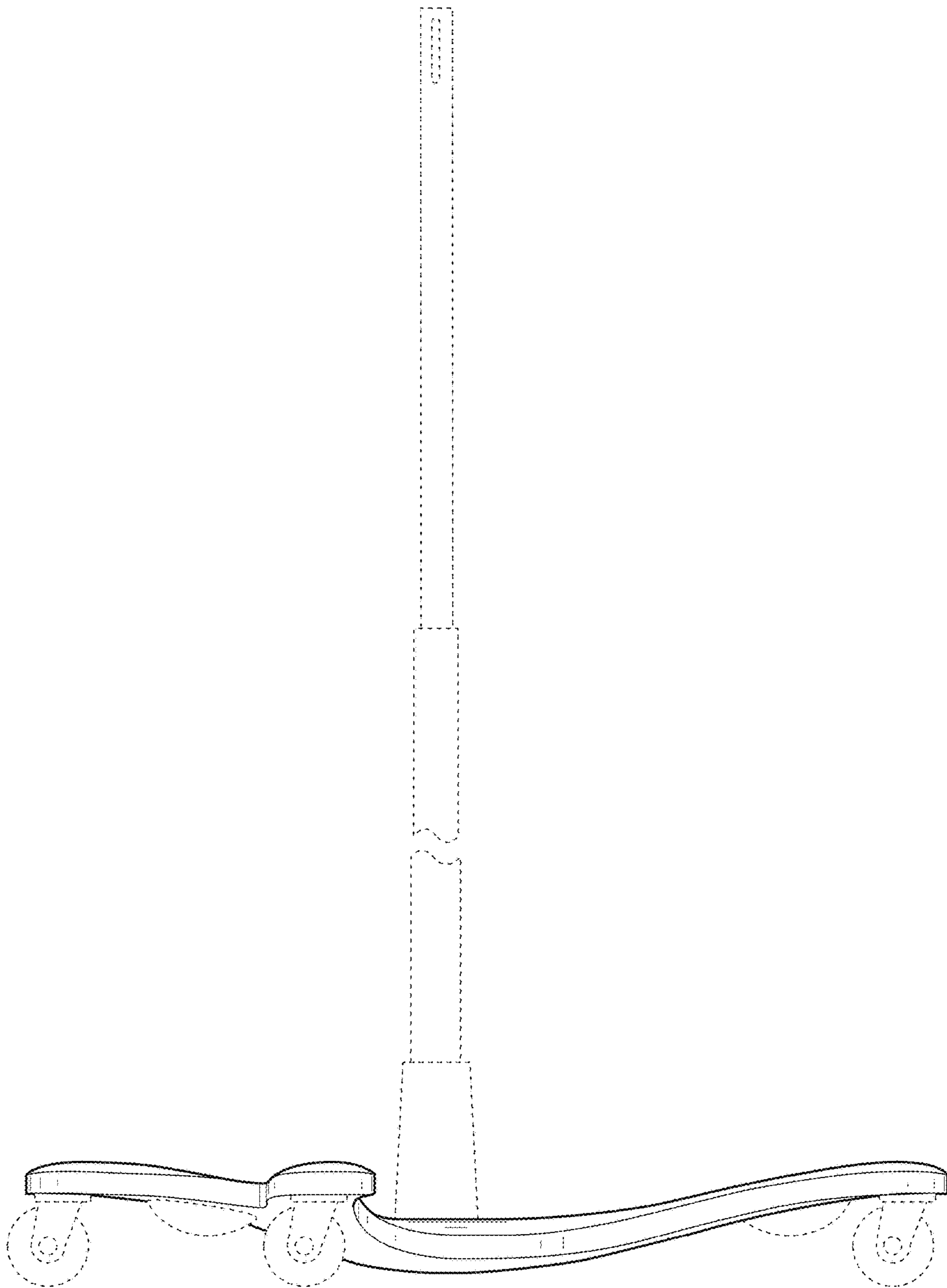
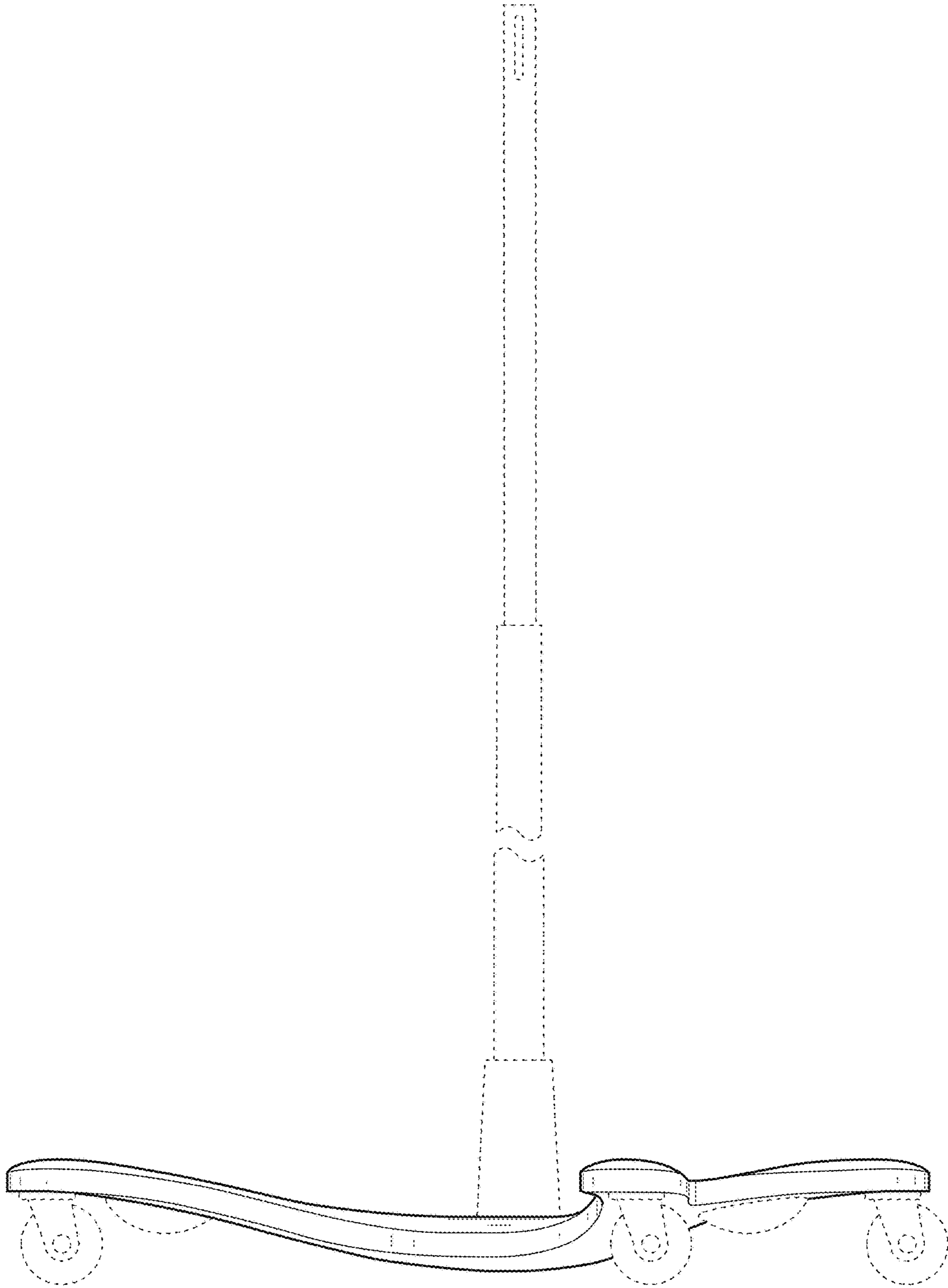


FIG. 5



**FIG. 6**



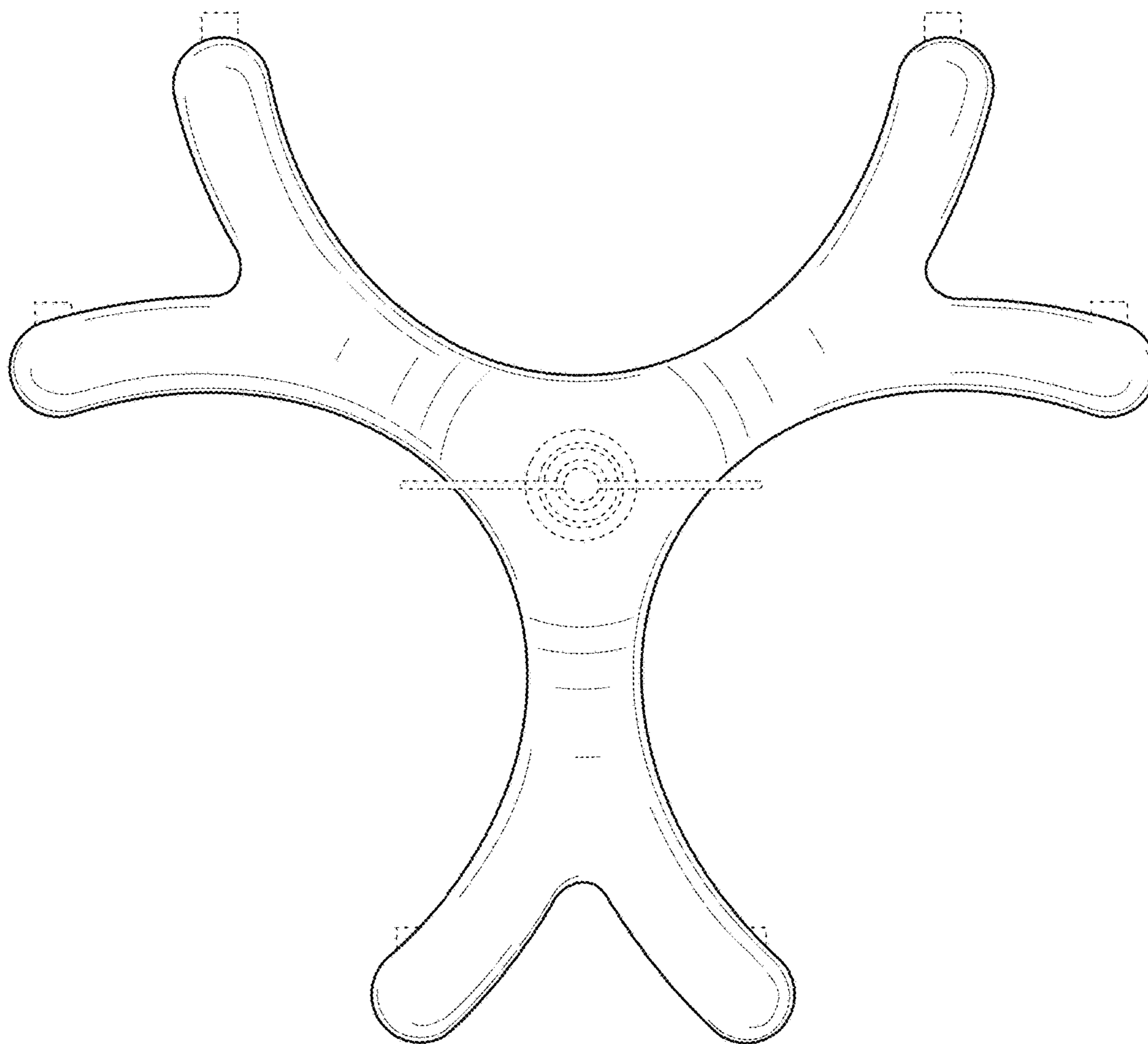
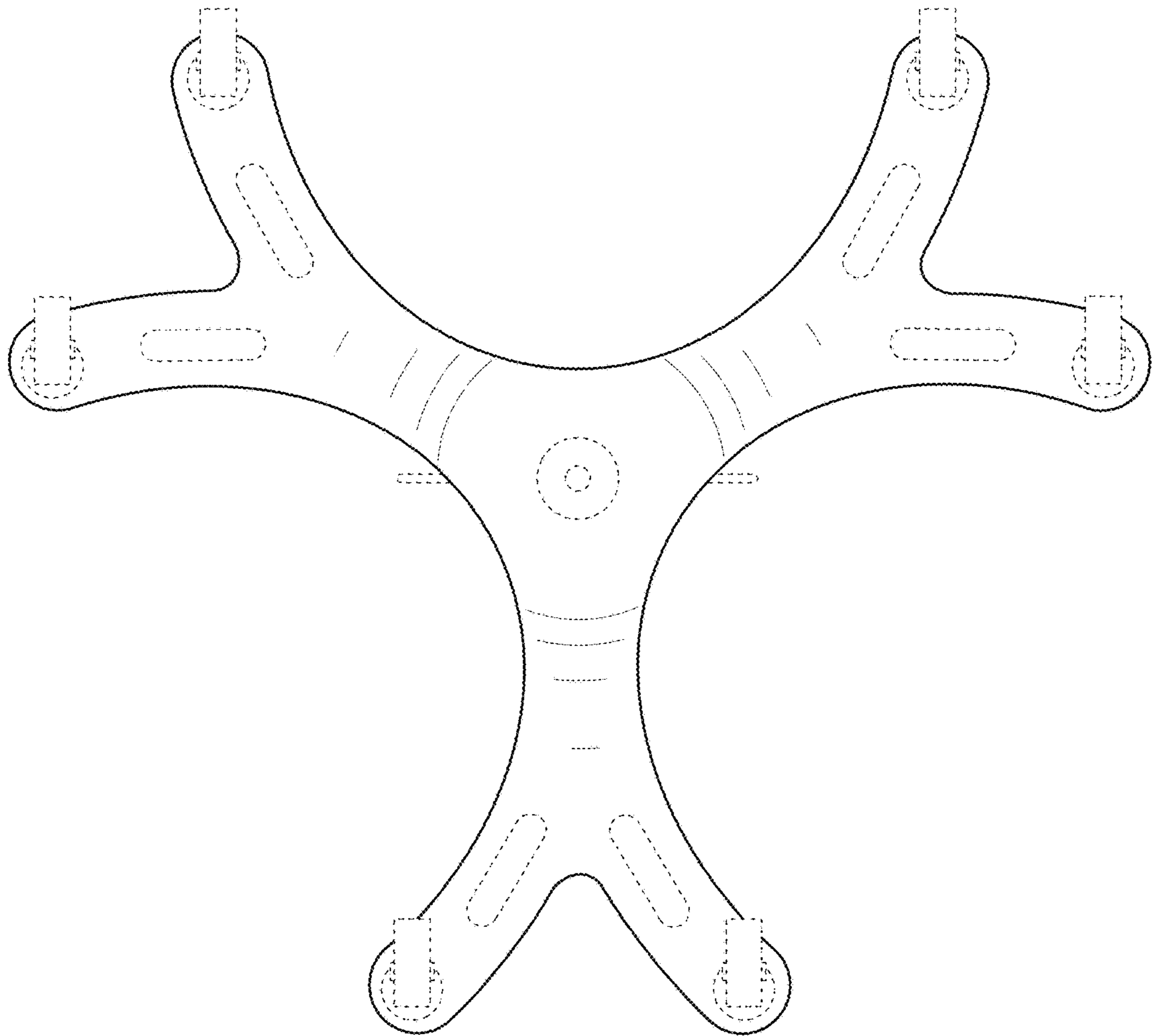
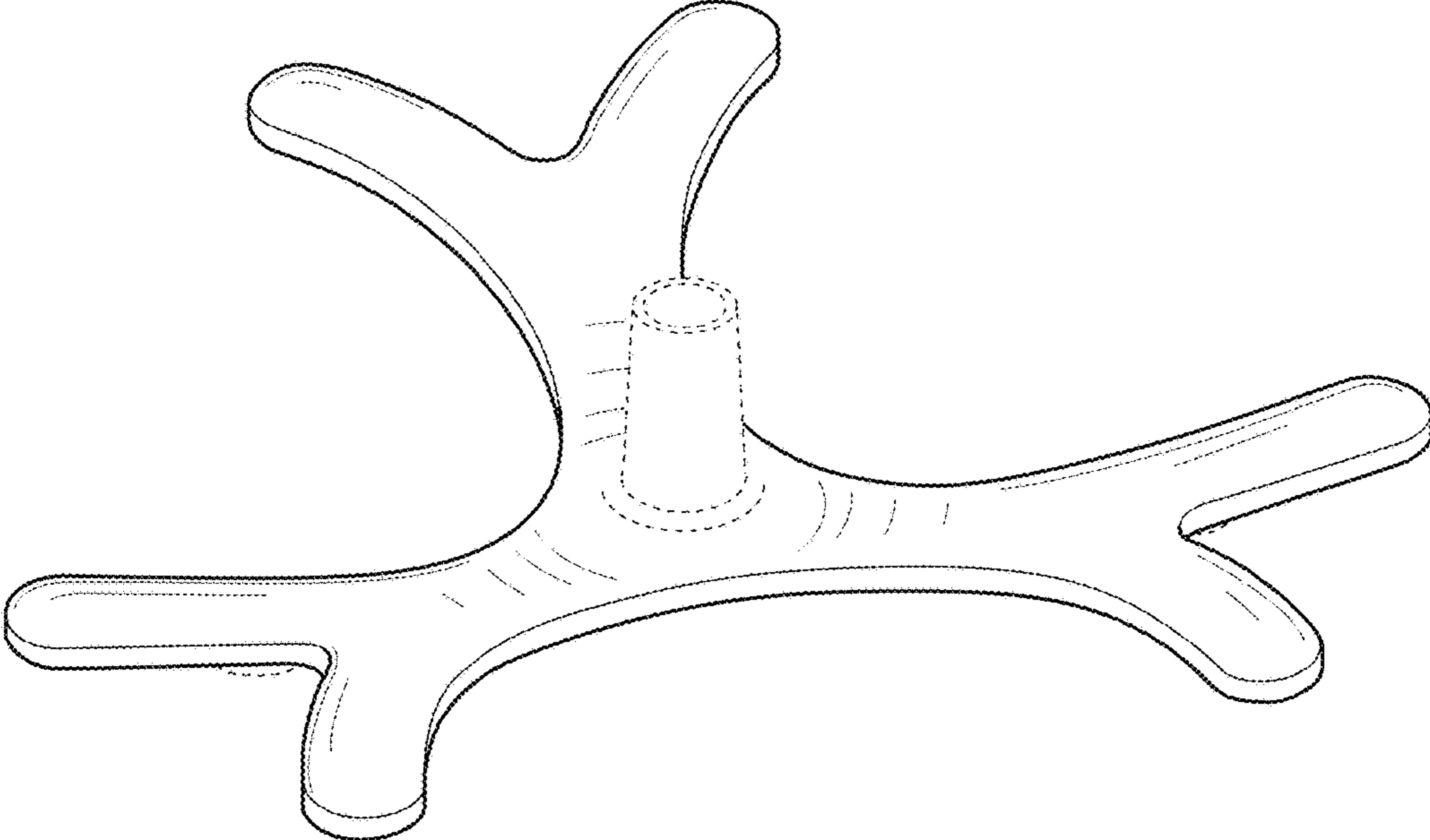


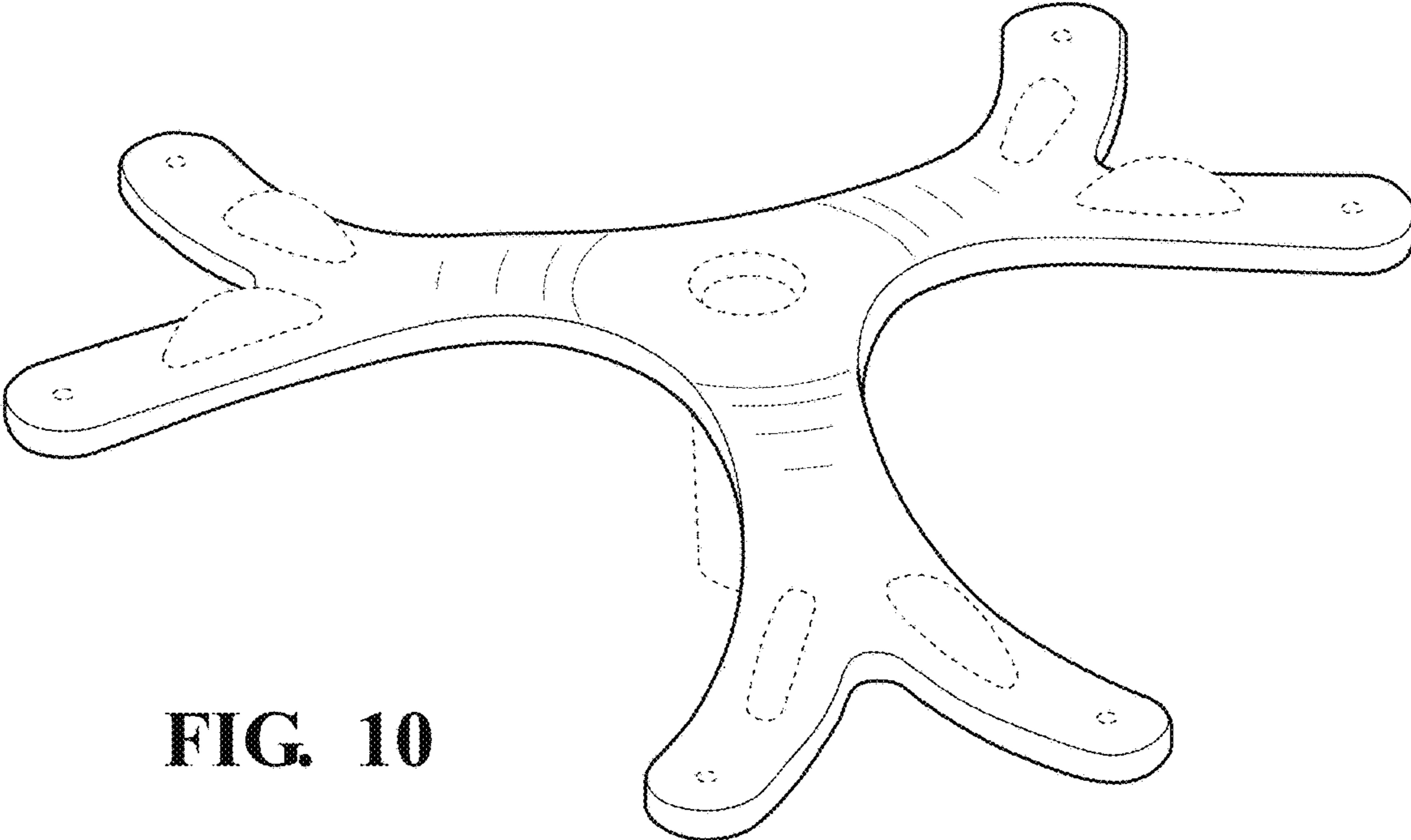
FIG. 7



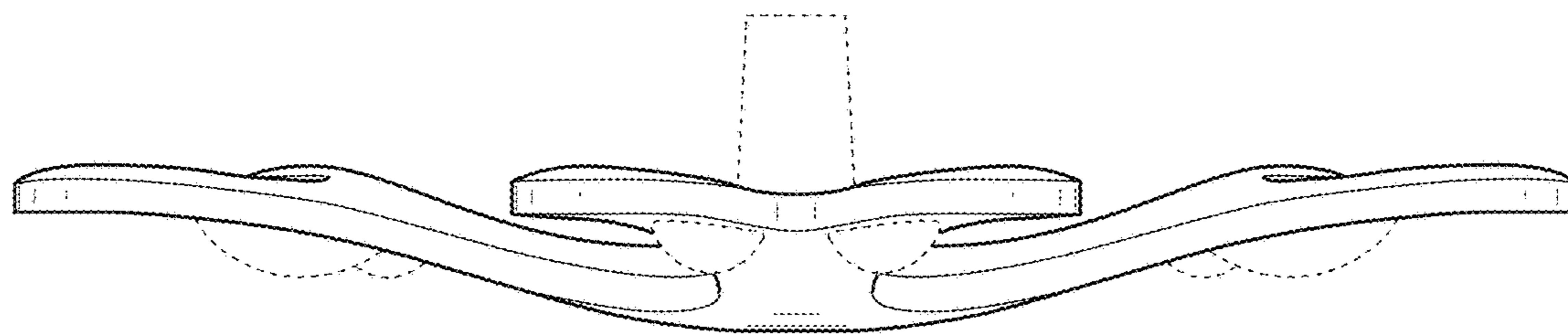
**FIG. 8**



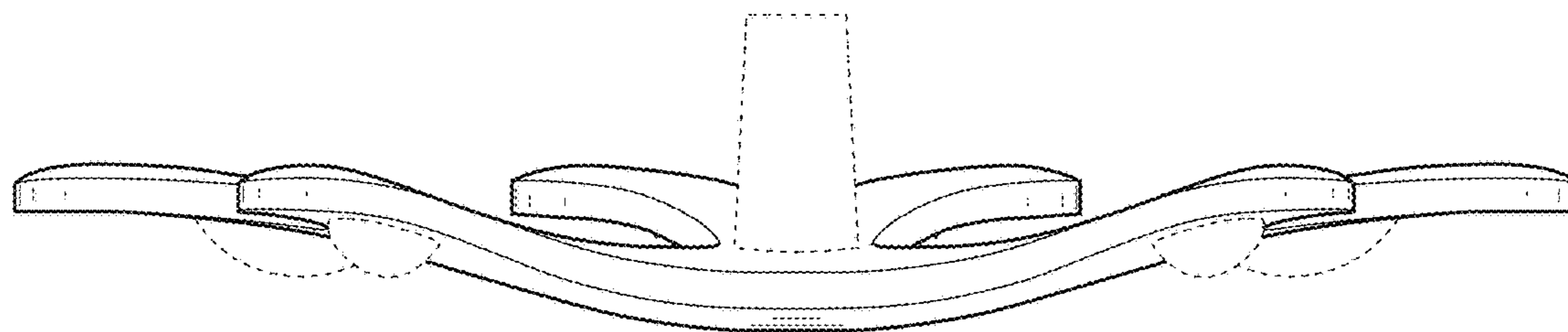
**FIG. 9**



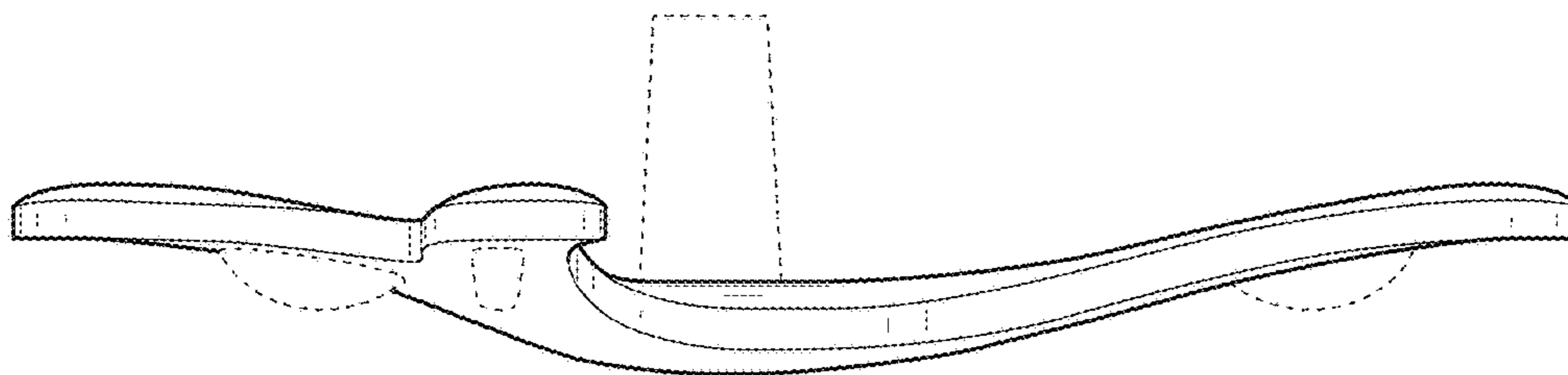
**FIG. 10**



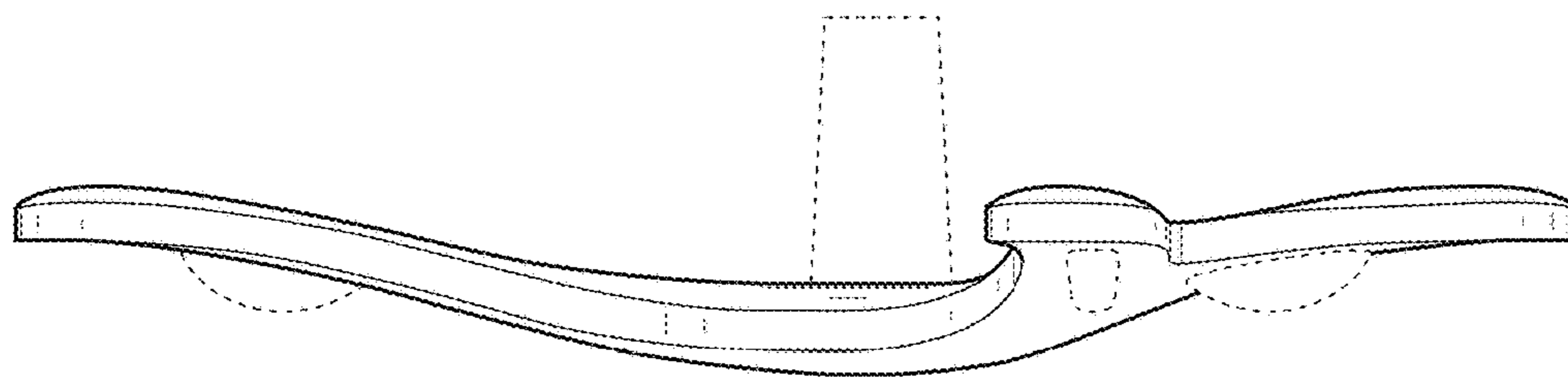
**FIG. 11**



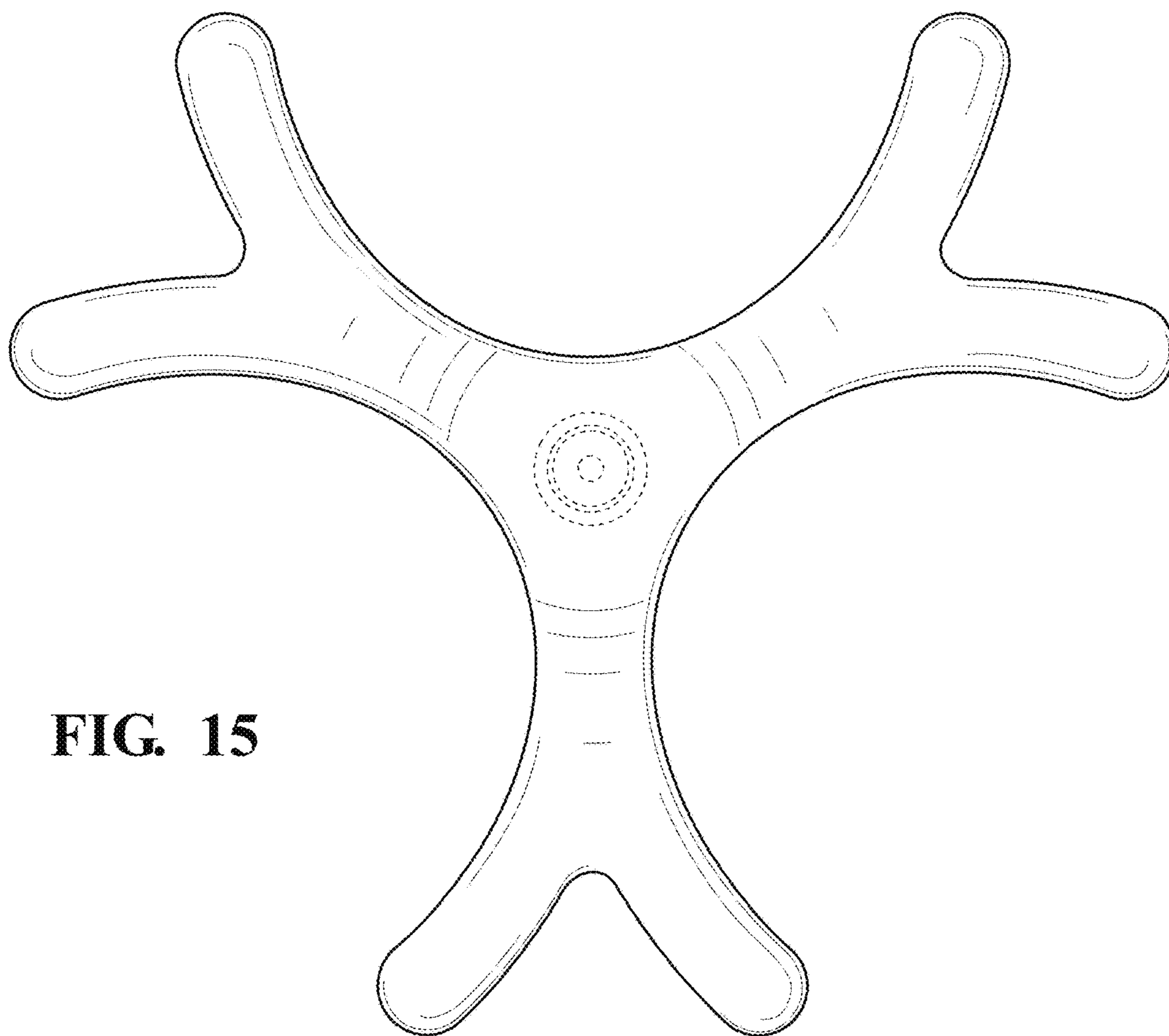
**FIG. 12**



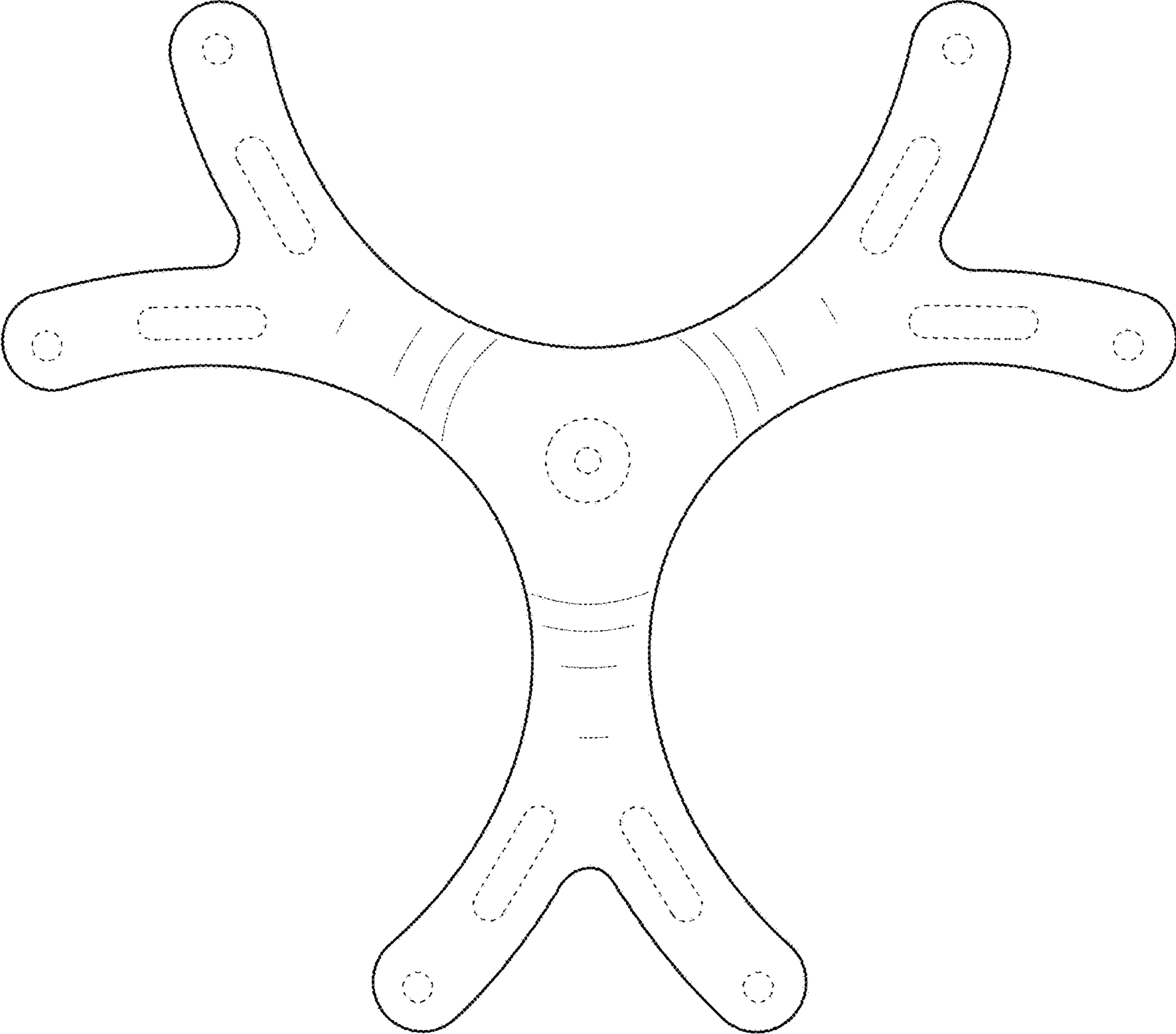
**FIG. 13**



**FIG. 14**



**FIG. 15**



**FIG. 16**