



US00D804038S

(12) **United States Design Patent** (10) **Patent No.:** **US D804,038 S**  
**Christensen et al.** (45) **Date of Patent:** **\*\* Nov. 28, 2017**

(54) **MOBILE PATIENT BED**

(56) **References Cited**

(71) Applicant: **OPTIMEDICA CORPORATION**,  
Santa Ana, CA (US)  
(72) Inventors: **Steven S. Christensen**, Fremont, CA  
(US); **Antonio D. Lucero**, Fresno, CA  
(US); **Brian Riley**, San Francisco, CA  
(US); **Eric B. Lafay**, Sunnyvale, CA  
(US); **David D. Scott**, Oakland, CA  
(US); **Michelle SanPedro**, Mountain  
View, CA (US); **Raymond B. Cota**,  
San Jose, CA (US); **Qi Wu**, Union City,  
CA (US); **Jeffrey A. Golda**, Menlo  
Park, CA (US)

U.S. PATENT DOCUMENTS

3,578,379 A \* 5/1971 Taylor ..... A47C 1/03  
297/316  
D236,299 S \* 8/1975 Long et al. .... D6/360  
D237,327 S \* 10/1975 William et al. .... D6/361  
4,415,203 A \* 11/1983 Cawley ..... A61G 15/10  
297/391  
5,190,349 A \* 3/1993 Austin, Jr. .... A61G 15/02  
297/316  
D351,742 S \* 10/1994 Phleps ..... D24/183  
5,467,002 A \* 11/1995 Brooks ..... A61G 15/02  
297/330  
D378,961 S \* 4/1997 Nordstrom ..... D6/361  
D379,409 S \* 5/1997 Schwaegerle ..... D6/360  
D405,284 S \* 2/1999 van den Heuvel ..... D6/367

(73) Assignee: **OPTIMEDICA CORPORATION**,  
Santa Ana, CA (US)

(Continued)

(\*\*) Term: **15 Years**

*Primary Examiner* — Ian Simmons

*Assistant Examiner* — Mark Cavanna

(21) Appl. No.: **29/576,483**

(74) *Attorney, Agent, or Firm* — Abbott Medical Optics  
Inc.

(22) Filed: **Sep. 2, 2016**

(51) **LOC (10) Cl.** ..... **24-01**

(57) **CLAIM**

(52) **U.S. Cl.**  
USPC ..... **D24/183**

The ornamental design for a mobile patient bed, as shown  
and described.

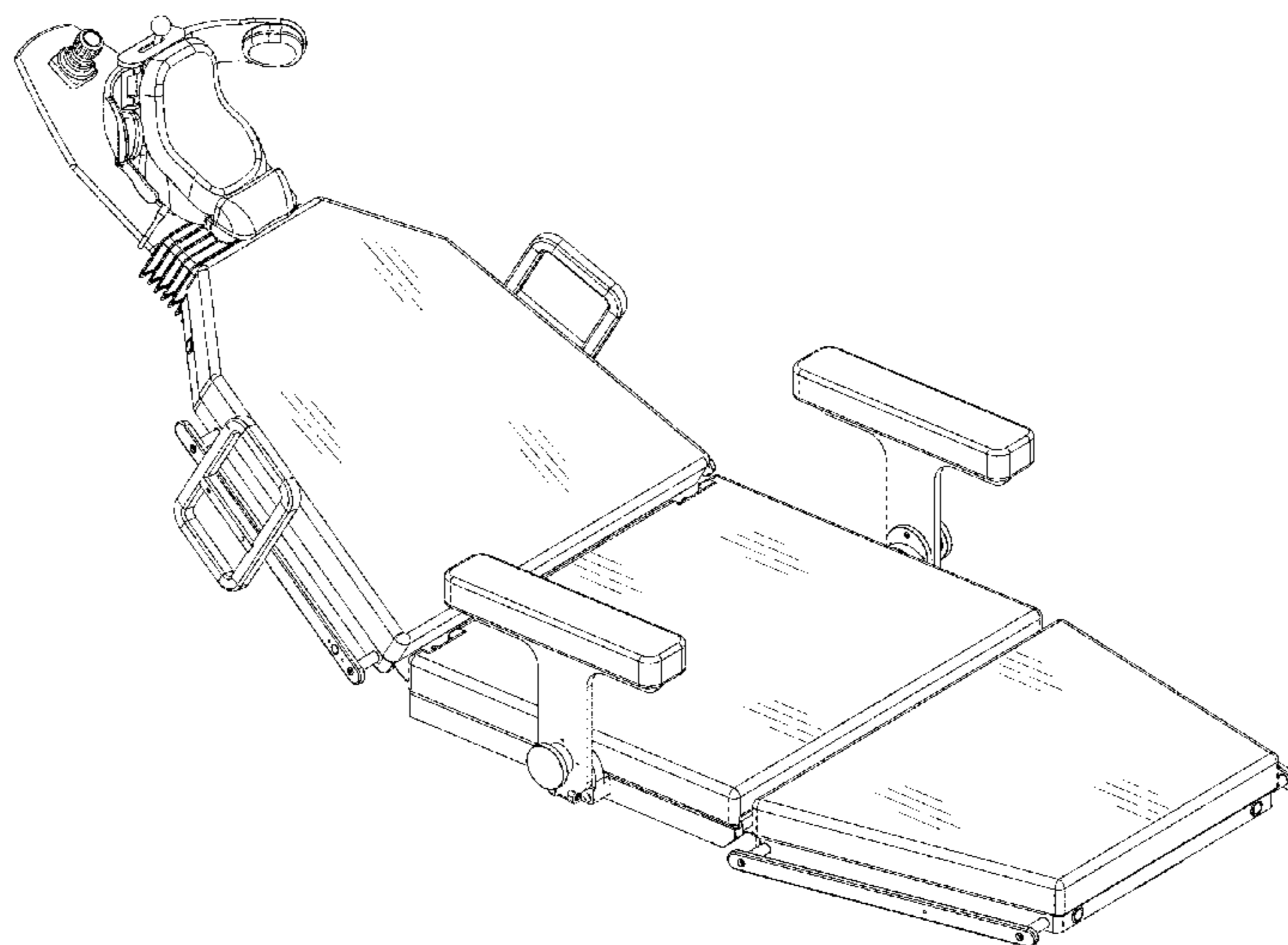
(58) **Field of Classification Search**  
USPC ..... D24/183, 184, 150, 152; D6/360, 361,  
D6/367  
CPC .. A47C 1/022; A47C 1/03; A47C 1/06; A47C  
1/08; A47C 1/10; A47C 3/20; A47C  
3/265; A47C 3/30; A47C 7/022; A47C  
7/36; A47C 7/38; A47C 7/50; A47C  
7/506; A47C 7/56; A61G 13/00; A61G  
13/0018; A61G 13/009; A61G 13/02;  
A61G 13/08; A61G 13/104; A61G  
13/105; A61G 13/12; A61G 13/121;  
A61G 13/1285; A61G 13/1295; A61G  
15/00; A61G 15/002; A61G 15/007;  
A61G 15/02; A61G 15/10; A61G 15/12;  
A61G 15/125

**DESCRIPTION**

FIG. 1 is a perspective view of a mobile patient bed of the  
present application;  
FIG. 2 is an enlarged front view of the mobile patient bed;  
FIG. 3 is an enlarged rear view of the mobile patient bed;  
FIG. 4 is a right side view of the mobile patient bed;  
FIG. 5 is a left side view of the mobile patient bed; and,  
FIG. 6 is a top view of the mobile patient bed.  
In the drawings, the broken lines are for the purpose of  
illustrating environment only and form no part of the  
claimed design.

See application file for complete search history.

**1 Claim, 6 Drawing Sheets**



(56)

**References Cited**

## U.S. PATENT DOCUMENTS

D420,225 S \* 2/2000 Lamb ..... D6/367  
D462,189 S \* 9/2002 Brockway ..... D6/367  
D525,443 S \* 7/2006 Takahashi ..... D6/367  
D614,422 S \* 4/2010 Halvorson, Jr. .... D6/716  
8,025,336 B2 \* 9/2011 Hanus ..... A61G 15/02  
297/344.16  
D655,929 S \* 3/2012 Frenkler ..... D6/367  
8,770,971 B2 \* 7/2014 Boren ..... A61G 15/002  
433/33  
8,864,233 B2 \* 10/2014 Wei ..... A47C 7/38  
297/195.11  
8,936,315 B2 \* 1/2015 Fienup ..... A61G 15/02  
297/330  
9,456,948 B1 \* 10/2016 Lazarof ..... A61G 15/12  
9,649,239 B2 \* 5/2017 Reyes ..... A47C 1/03  
2017/0056243 A1 \* 3/2017 Schuele ..... A61G 15/02  
2017/0065083 A1 \* 3/2017 Baker ..... A61G 15/12  
2017/0071810 A1 \* 3/2017 Pagano Bringel ..... A61G 15/10  
2017/0119610 A1 \* 5/2017 Christensen ..... A61G 13/105

\* cited by examiner

Fig. 1

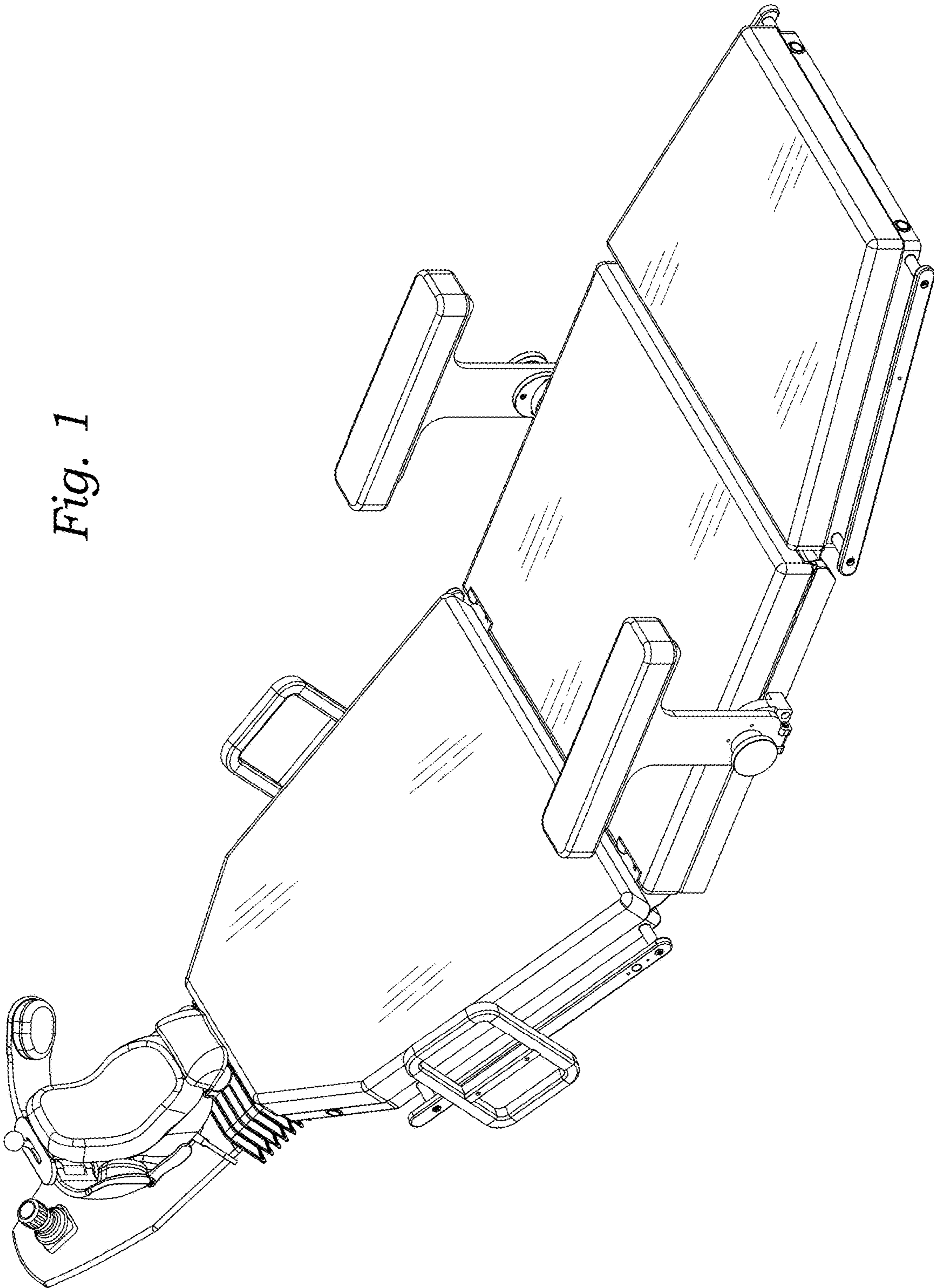


Fig. 2

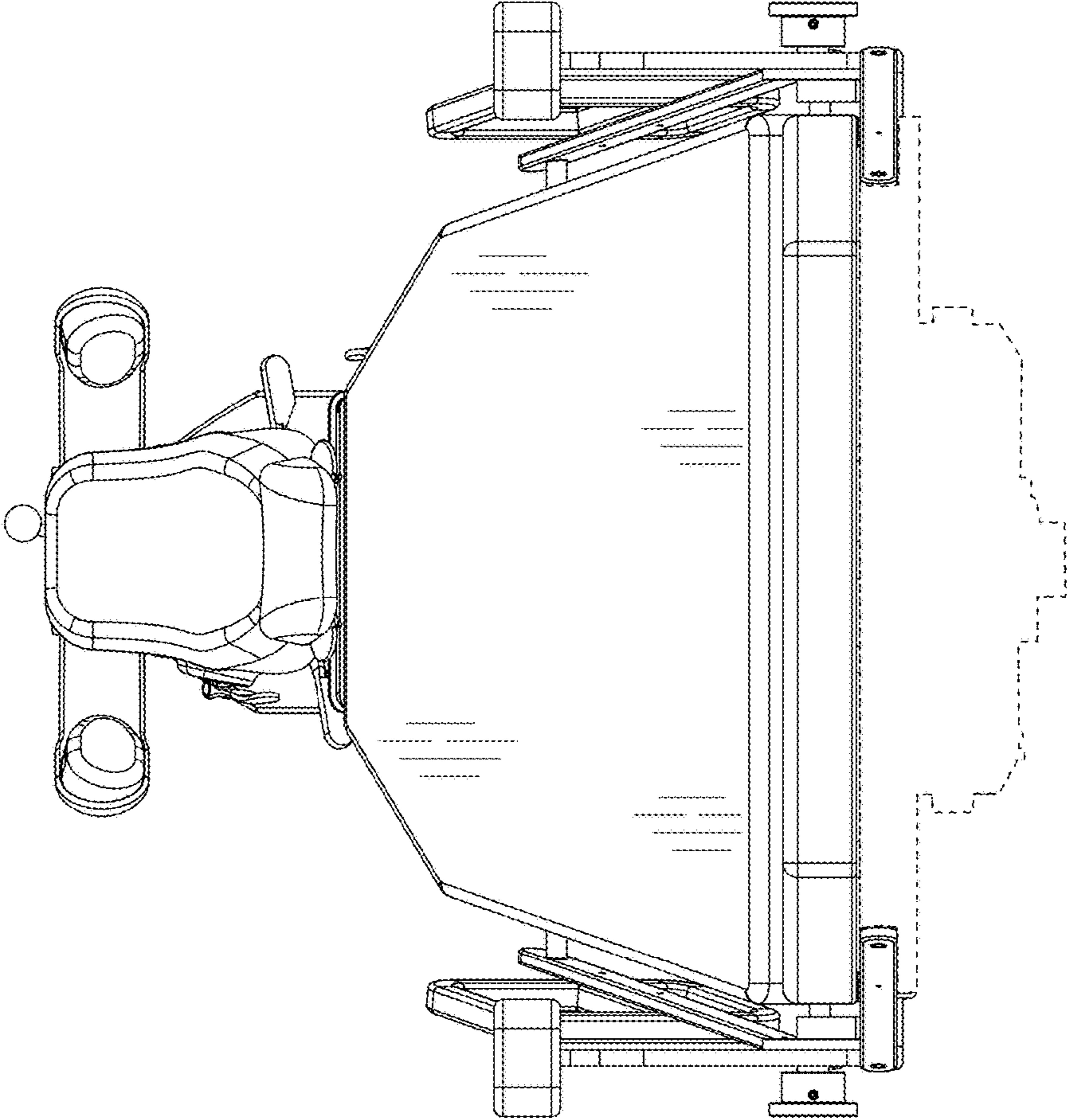


Fig. 3

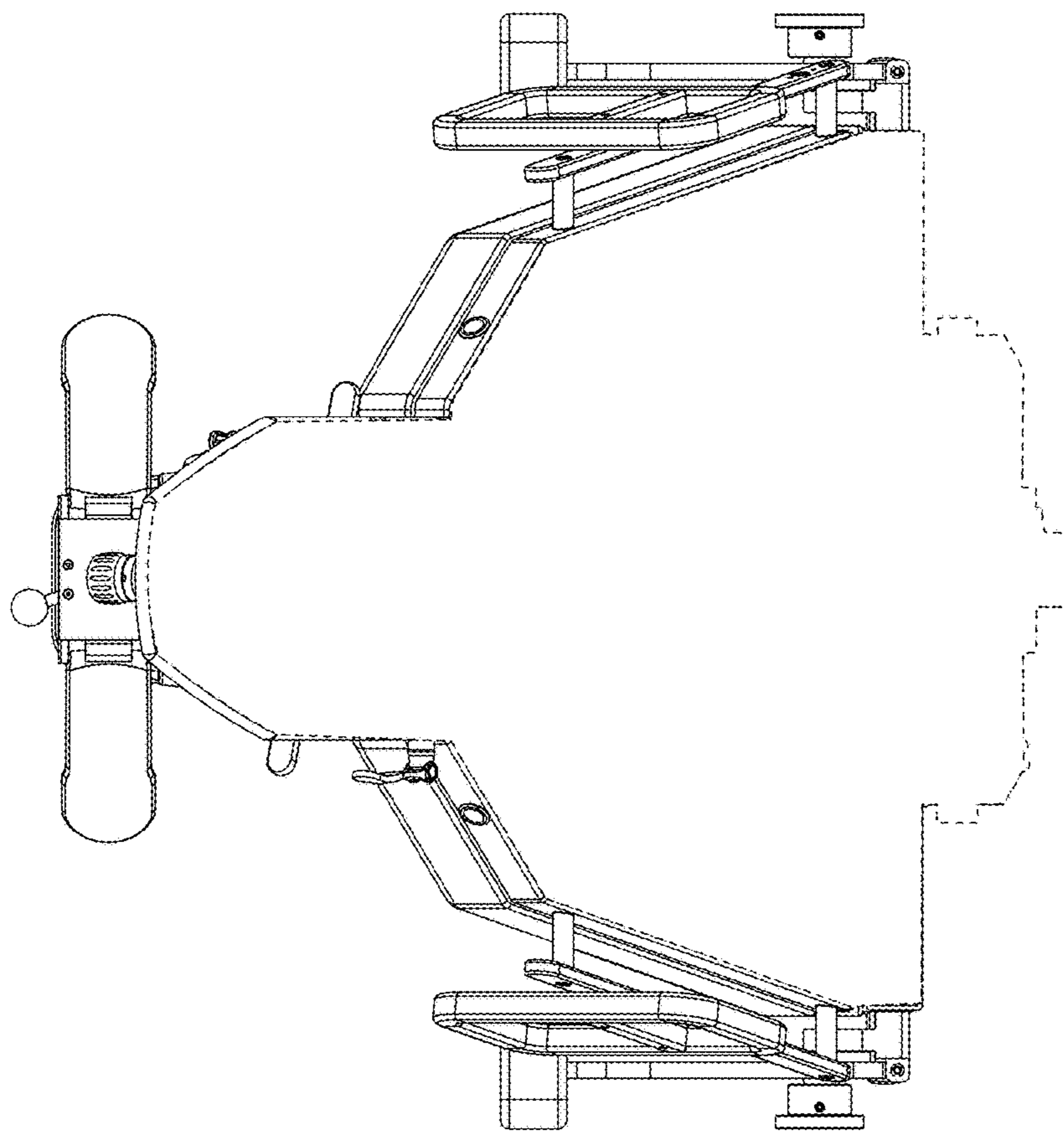
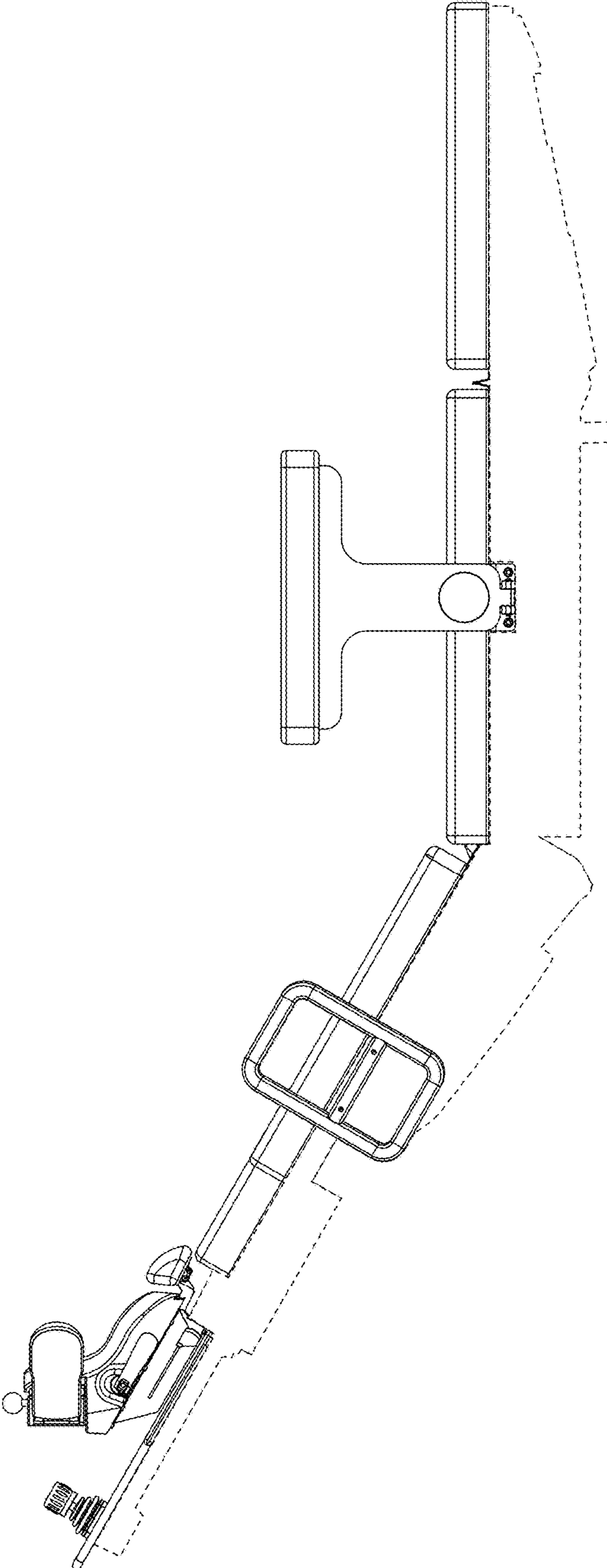


Fig. 4



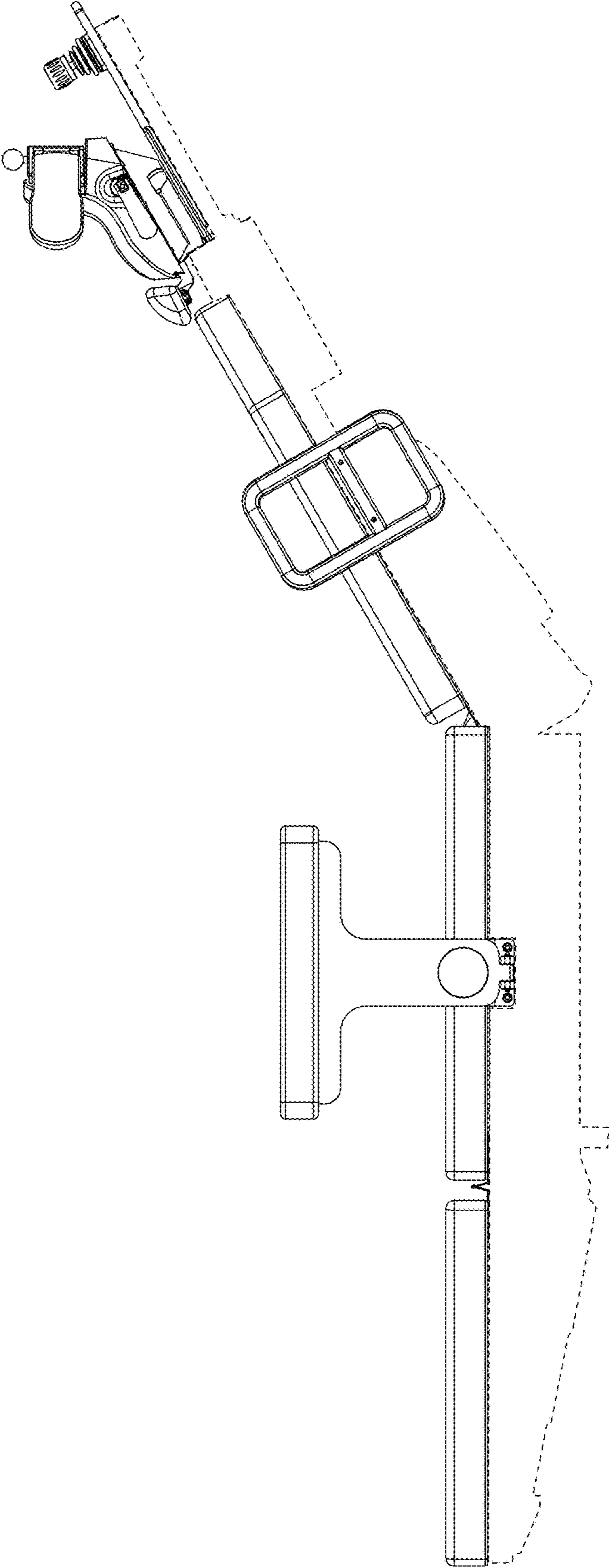


Fig. 5

*Fig. 6*

