

US00D804037S

(12) **United States Design Patent** (10) **Patent No.:** **US D804,037 S**
Payne et al. (45) **Date of Patent:** **** Nov. 28, 2017**

(54) **SELF-LIGATING ORTHODONTIC BRACKET**

OTHER PUBLICATIONS

(71) Applicant: **HENRY SCHEIN, INC.**, Carlsbad, CA (US)

International Search Report, Feb. 2, 2017, 5 pages, from PCT/US2016/059197.

(72) Inventors: **Mark A. Payne**, Oceanside, CA (US); **Colin Corey**, Encinitas, CA (US); **Luis Carrière Lluch**, Barcelona (ES)

Primary Examiner — Wan Laymon

(74) *Attorney, Agent, or Firm* — Fulwider Patton LLP

(**) Term: **15 Years**

(57) **CLAIM**

The ornamental design for a self-ligating orthodontic bracket, as shown and described.

(21) Appl. No.: **29/573,026**

DESCRIPTION

(22) Filed: **Aug. 2, 2016**

(51) **LOC (10) Cl.** **24-02**

(52) **U.S. Cl.**
USPC **D24/180**

(58) **Field of Classification Search**
USPC D24/176–182

CPC .. A61C 7/287; A61C 7/30; A61C 7/00; A61C 7/12; A61C 7/14; A61C 7/141; A61C 7/143; A61C 7/145; A61C 7/146

See application file for complete search history.

(56) **References Cited**

U.S. PATENT DOCUMENTS

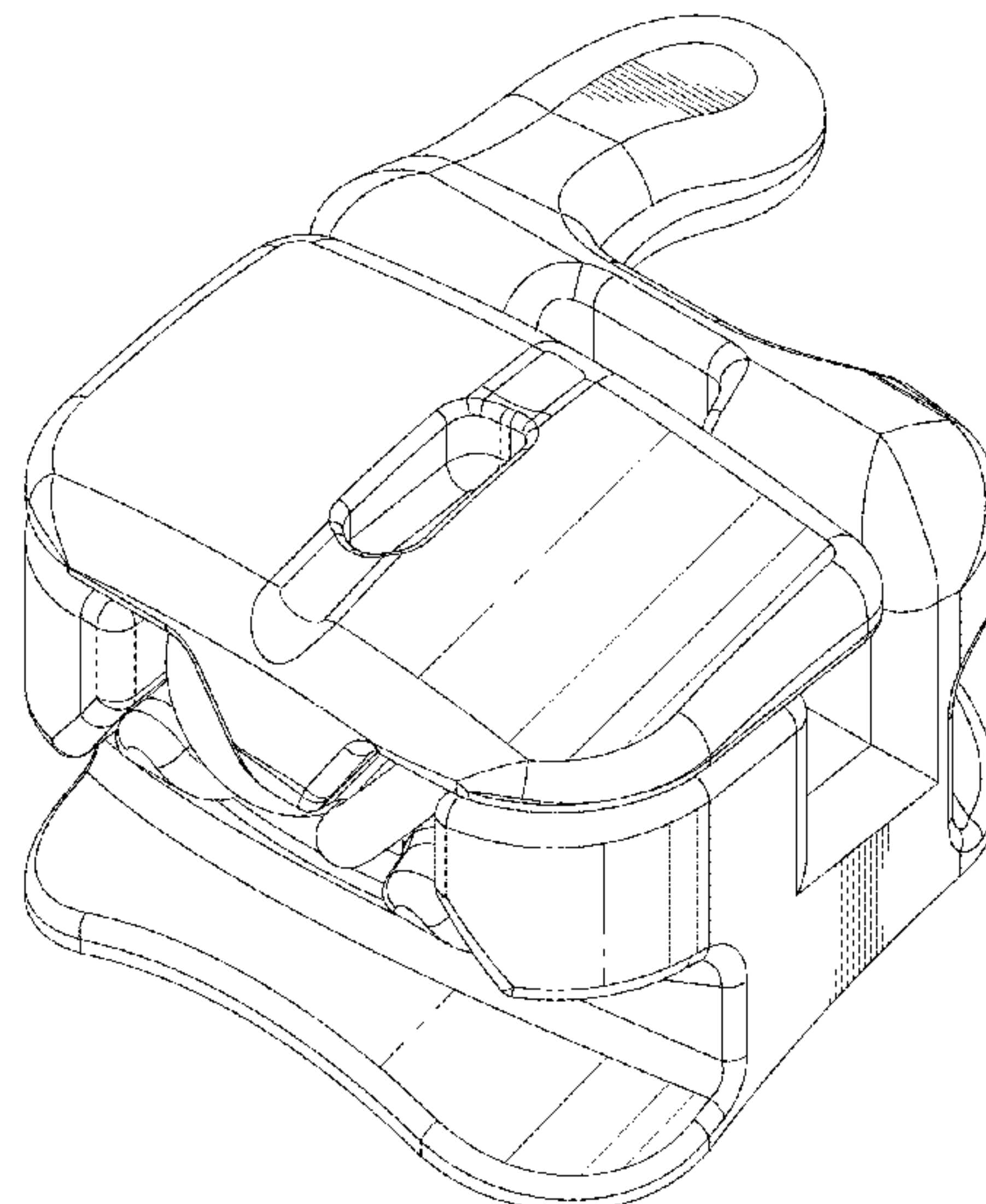
4,838,786	A *	6/1989	Reher	A61C 7/14 433/9
D331,975	S *	12/1992	Pospisil	D24/180
D358,650	S *	5/1995	Moschik	D24/180
D367,116	S *	2/1996	Viazis	D24/180
6,071,118	A	6/2000	Damon		
7,621,743	B2	11/2009	Bathen et al.		
7,704,072	B2	4/2010	Damon		
7,785,101	B2	8/2010	Forster et al.		
7,963,767	B2	6/2011	Lewis et al.		
8,033,824	B2	10/2011	Oda et al.		
D648,030	S	11/2011	Bryant et al.		
8,113,827	B2	2/2012	Farzin-Nia et al.		
8,251,696	B2	8/2012	Rodriguez et al.		
8,297,970	B2	10/2012	Kanomi et al.		

(Continued)

FIG. 1 is a top perspective view of a self-ligating orthodontic bracket in a closed mode showing our new design; FIG. 2 is a bottom perspective view thereof; FIG. 3 is a right side elevational view thereof; FIG. 4 is a left side elevational view thereof; FIG. 5 is a front perspective view thereof; FIG. 6 is a rear perspective view thereof; FIG. 7 is a top plan view thereof; FIG. 8 is a bottom plan view thereof; FIG. 9 is another top perspective view of the self-ligating orthodontic bracket of FIG. 1 in an open mode; FIG. 10 is a bottom perspective view of FIG. 9; FIG. 11 is a right side elevational view of FIG. 9; FIG. 12 is a left side elevational view of FIG. 9; FIG. 13 is a front perspective view of FIG. 9; FIG. 14 is a rear perspective view of FIG. 9; FIG. 15 is a top plan view of FIG. 9; and, FIG. 16 is a bottom plan view of FIG. 9.

As used herein, top views represent labial views of our design, bottom views represent lingual views of our design, front views represent occlusal views of our design, and rear views represent gingival views of our design. The features shown in broken lines with consistent dash lengths illustrate ornamentation, features, and/or environment that form no part of the claimed design.

1 Claim, 12 Drawing Sheets



(56)

References Cited

U.S. PATENT DOCUMENTS

8,992,214 B2 * 3/2015 Wu A61C 7/287
433/11
9,089,386 B2 7/2015 Hagelganz et al.
9,532,853 B2 * 1/2017 Huang A61C 7/30
9,615,897 B2 * 4/2017 Sabilla A61C 7/285
2009/0298003 A1 12/2009 Wei et al.
2011/0086323 A1 4/2011 Wessinger
2013/0224676 A1 8/2013 Alauddin et al.
2014/0272752 A1 9/2014 Huang
2014/0272753 A1 9/2014 Sommer et al.
2015/0223913 A1 8/2015 Yick et al.
2015/0265377 A1 9/2015 Wu et al.
2016/0038258 A1 2/2016 Sabilla et al.
2016/0374781 A1 * 12/2016 Sommer A61C 7/30
433/11
2017/0119501 A1 * 5/2017 Payne A61C 7/287

* cited by examiner

FIG. 1

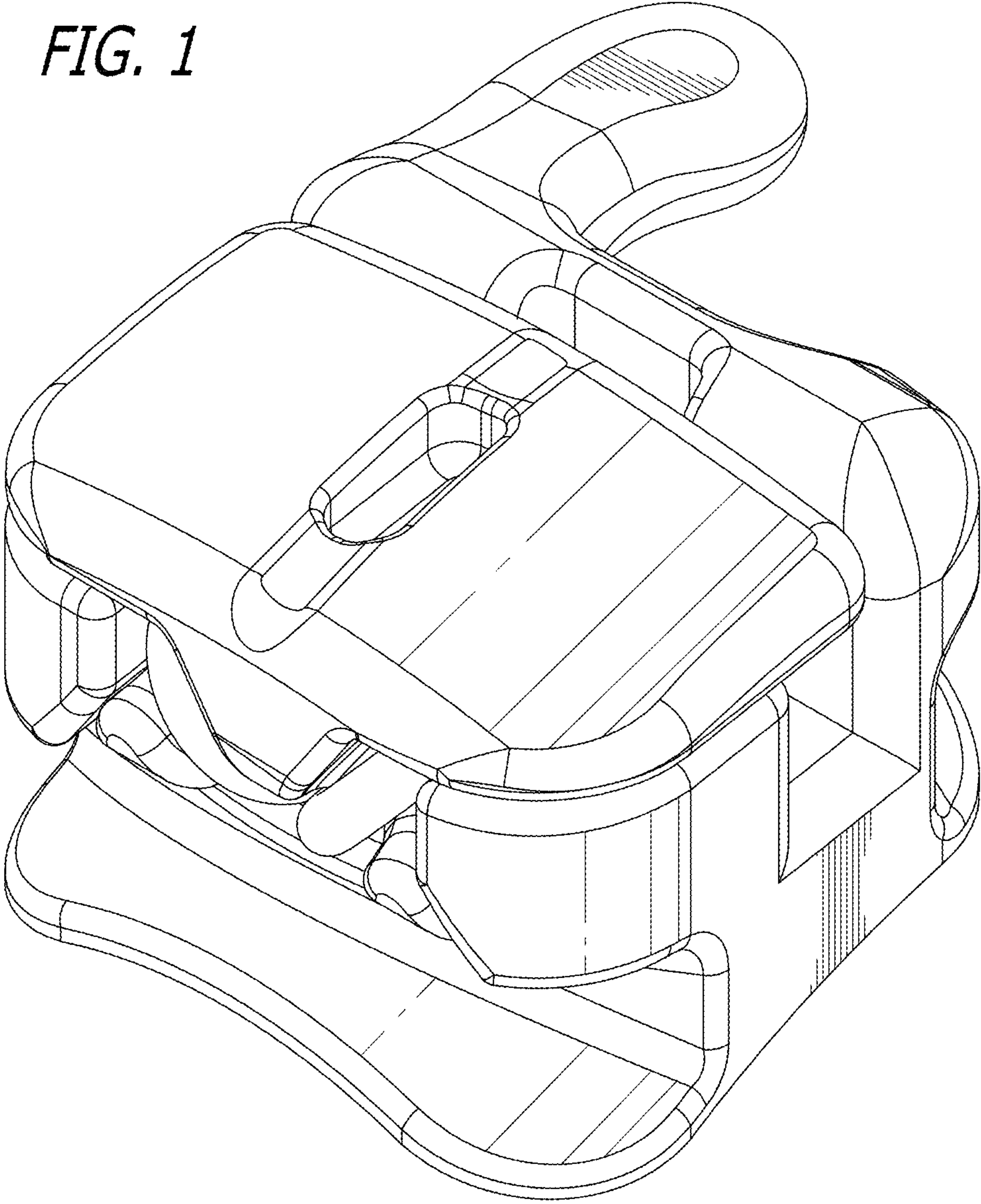
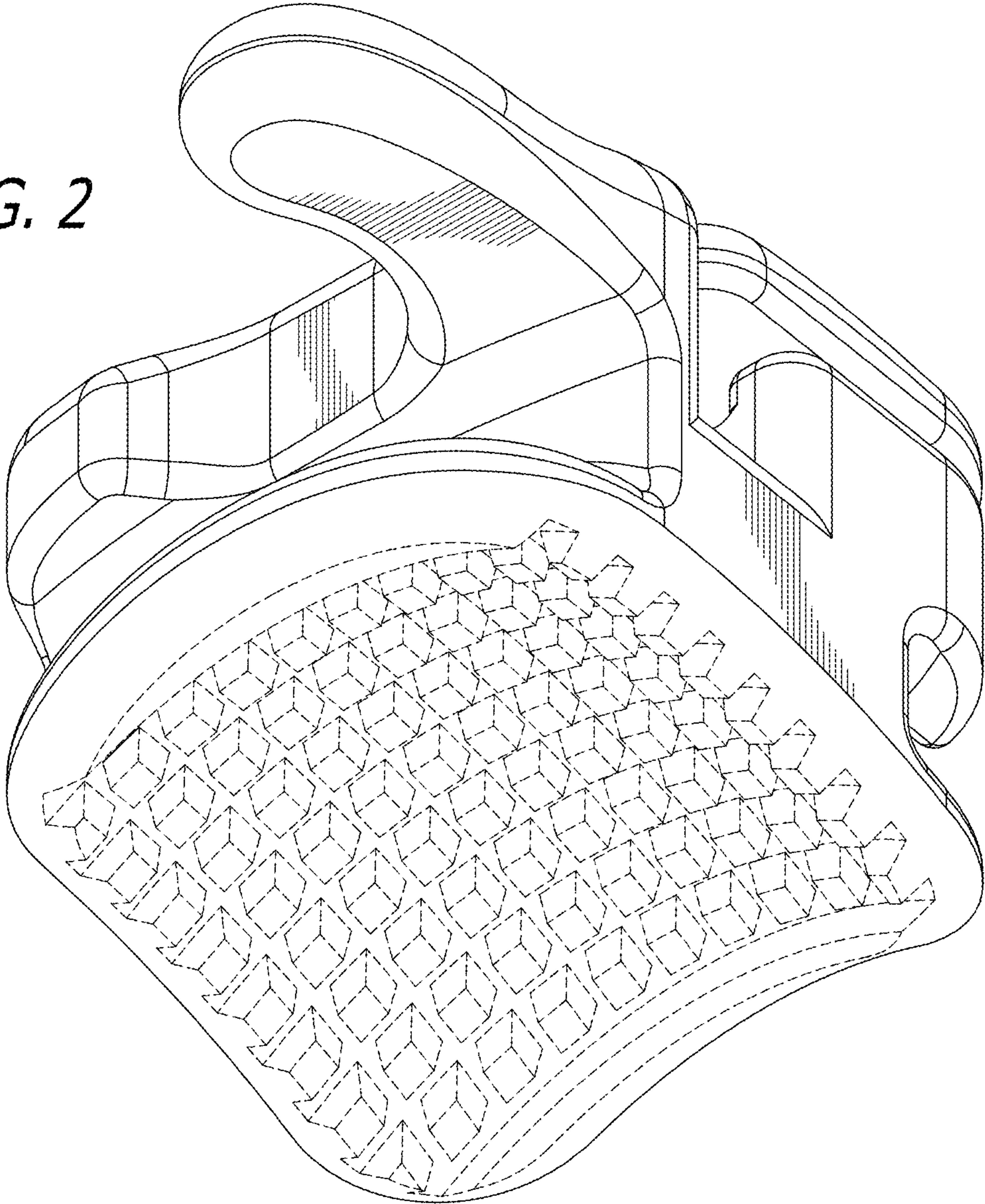


FIG. 2



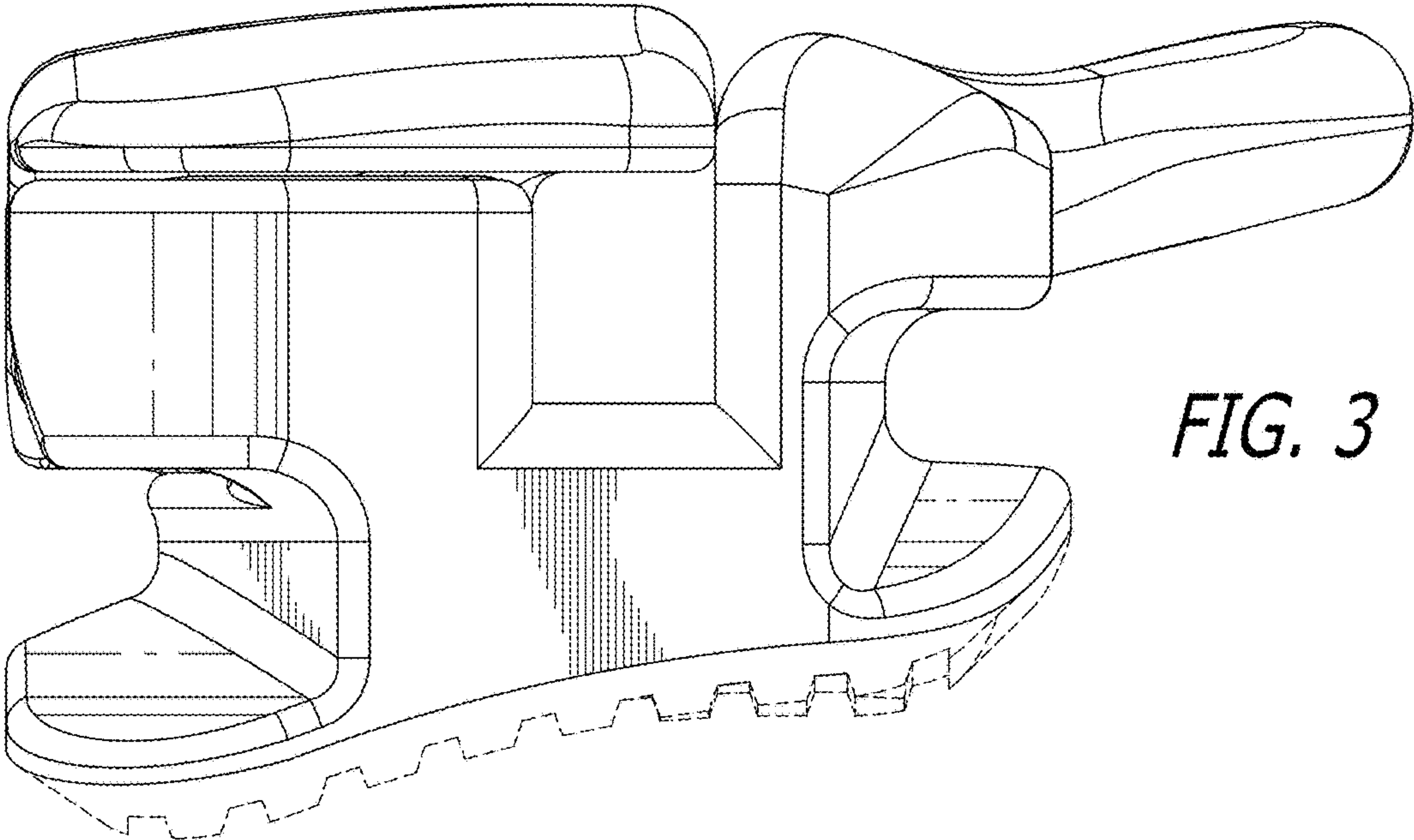


FIG. 3

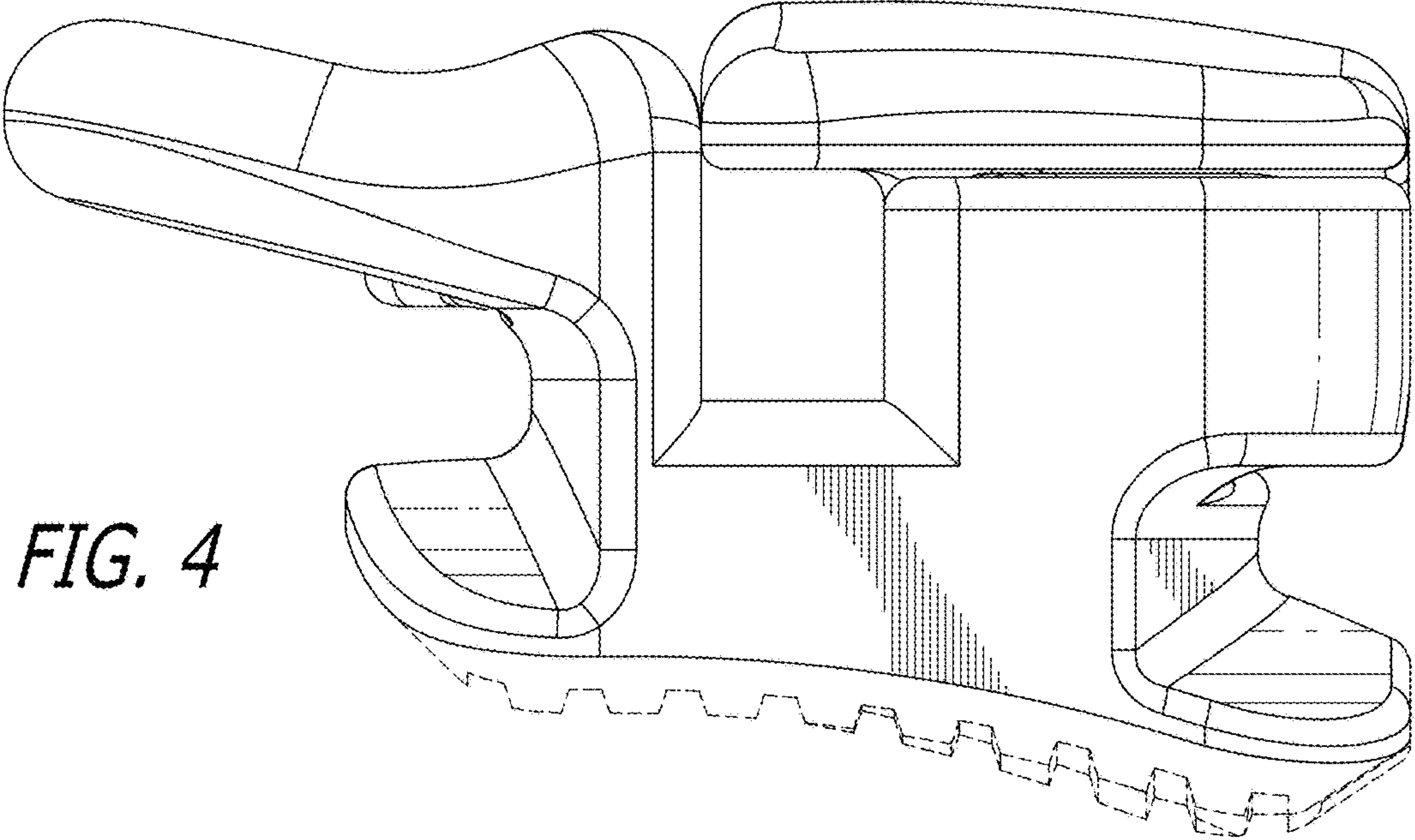


FIG. 4

FIG. 5

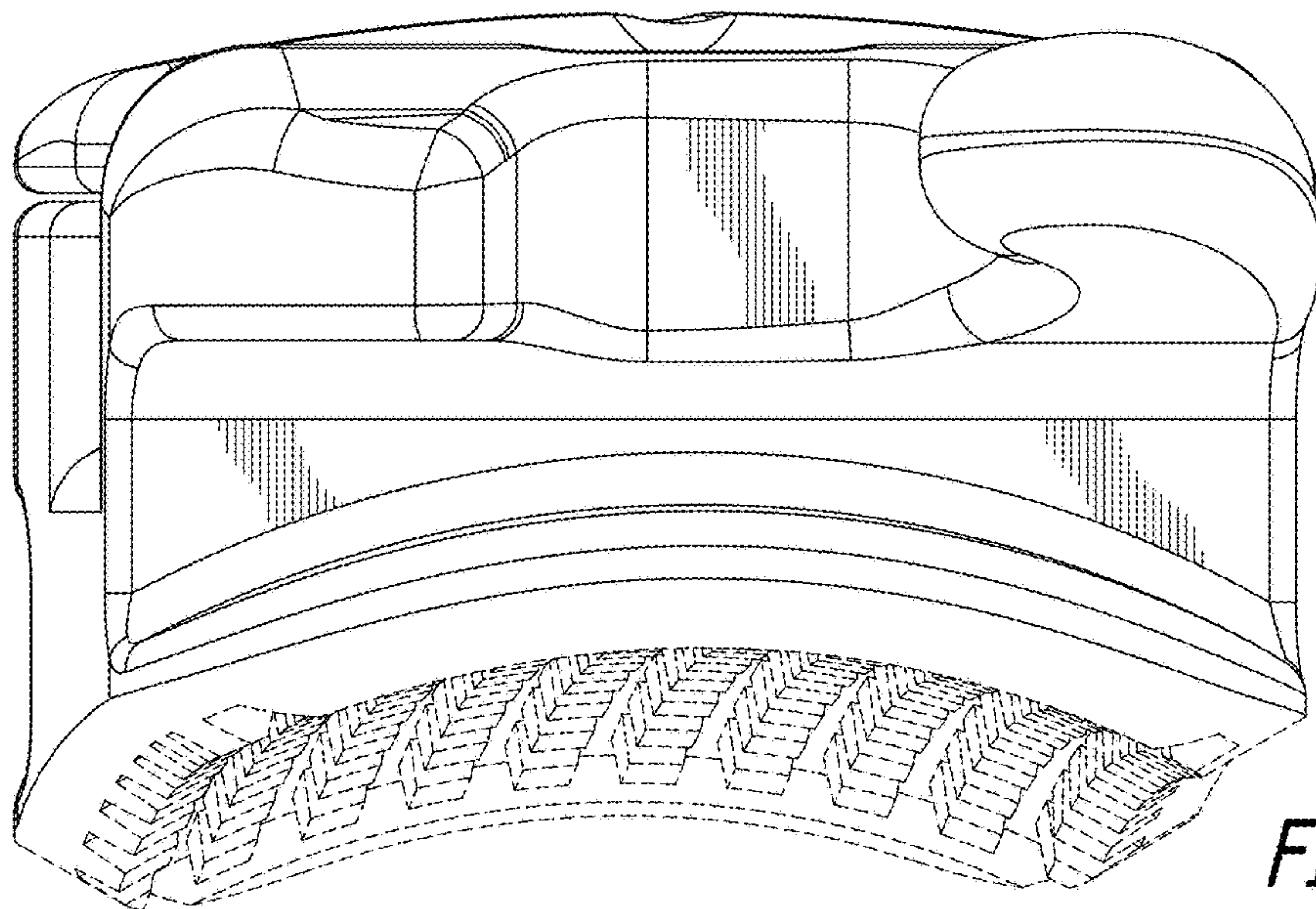
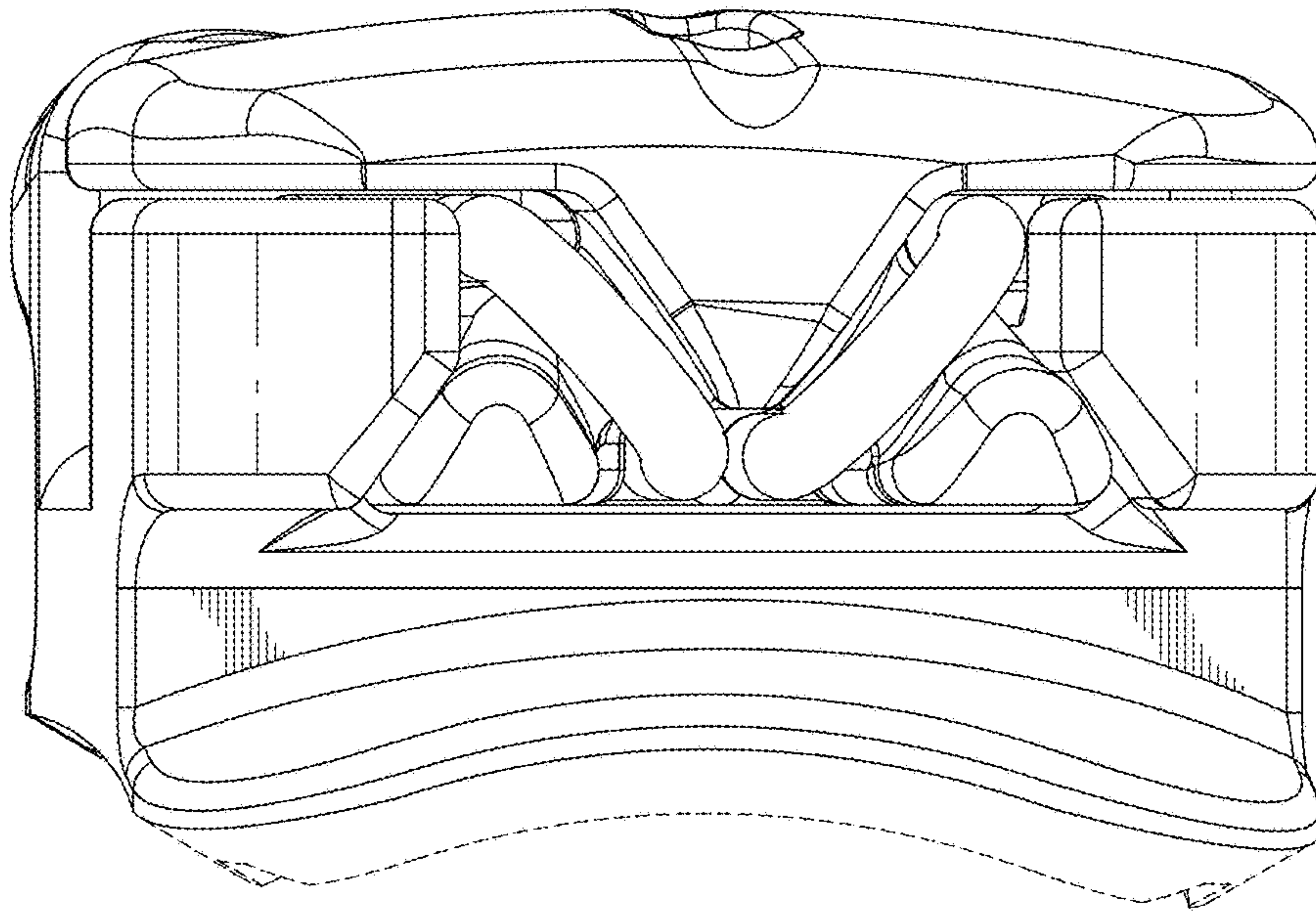
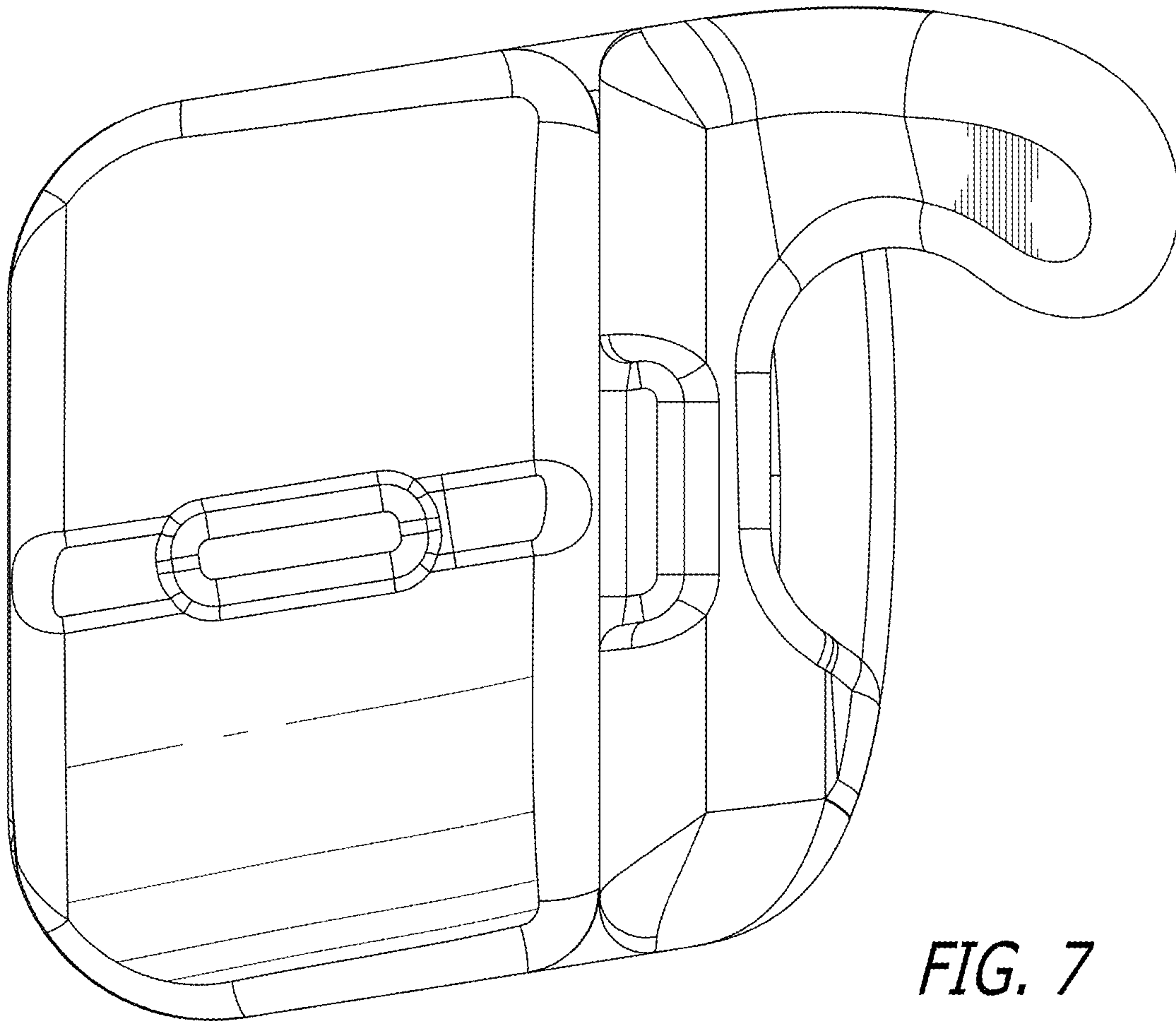


FIG. 6



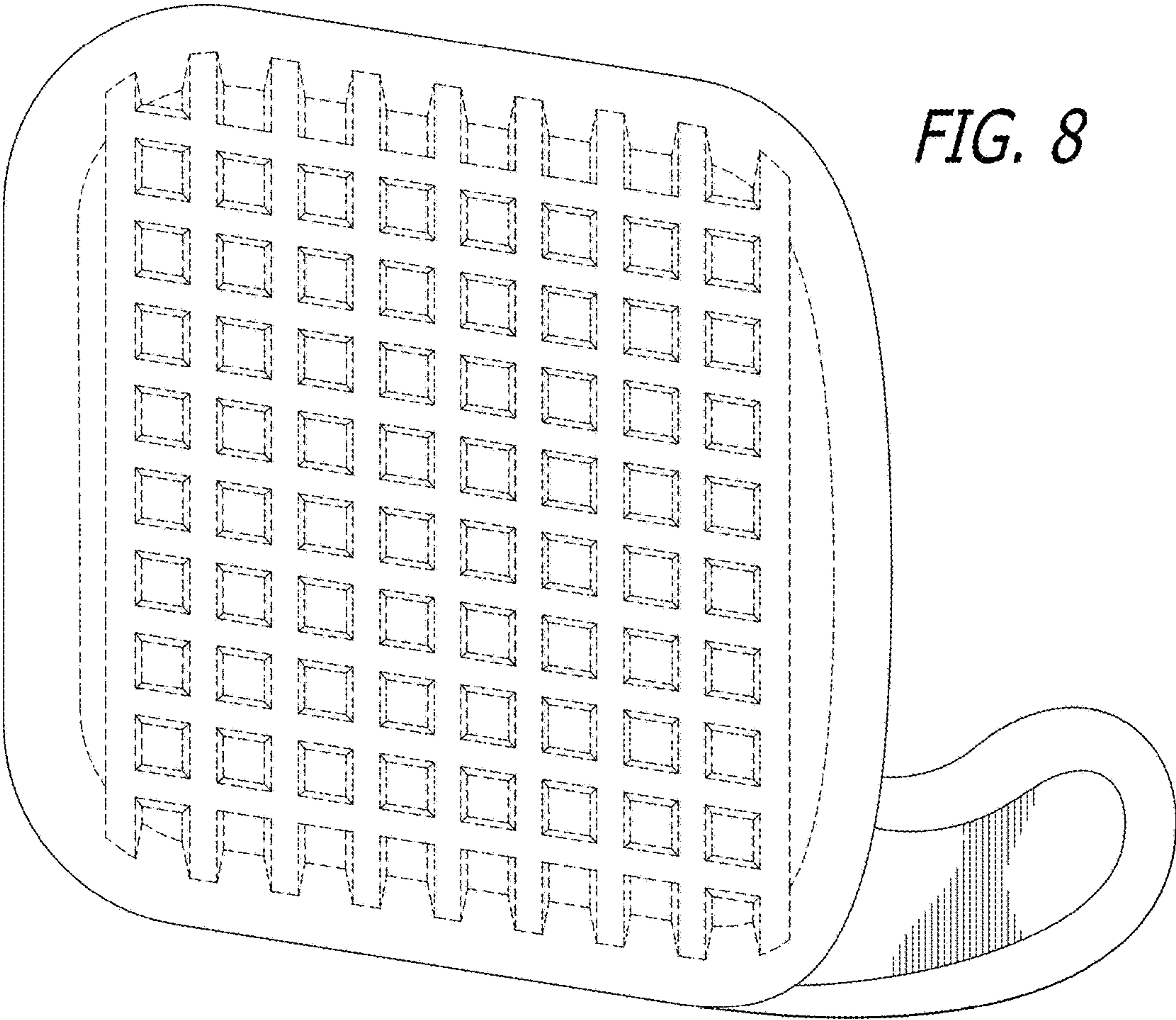
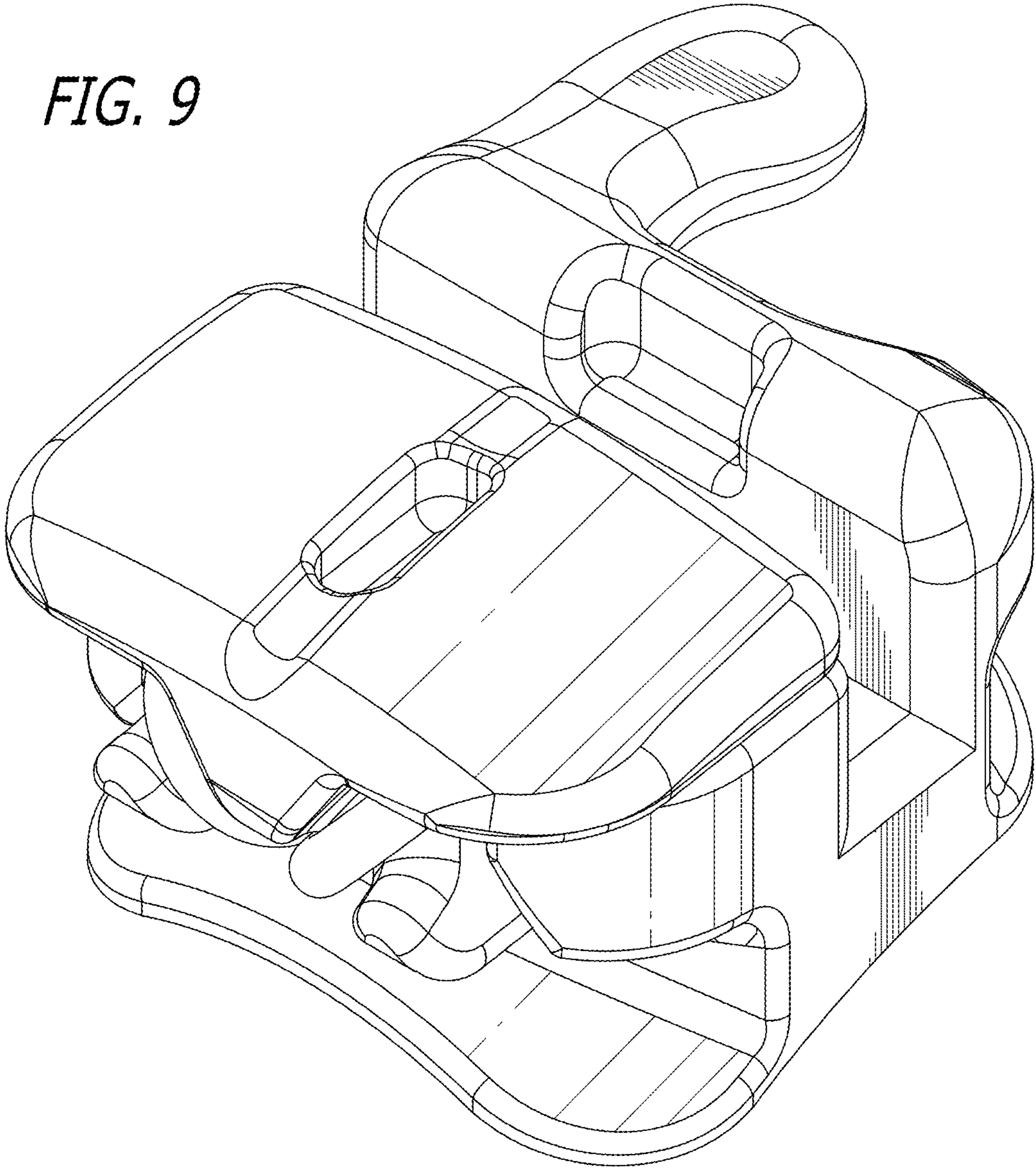


FIG. 8

FIG. 9



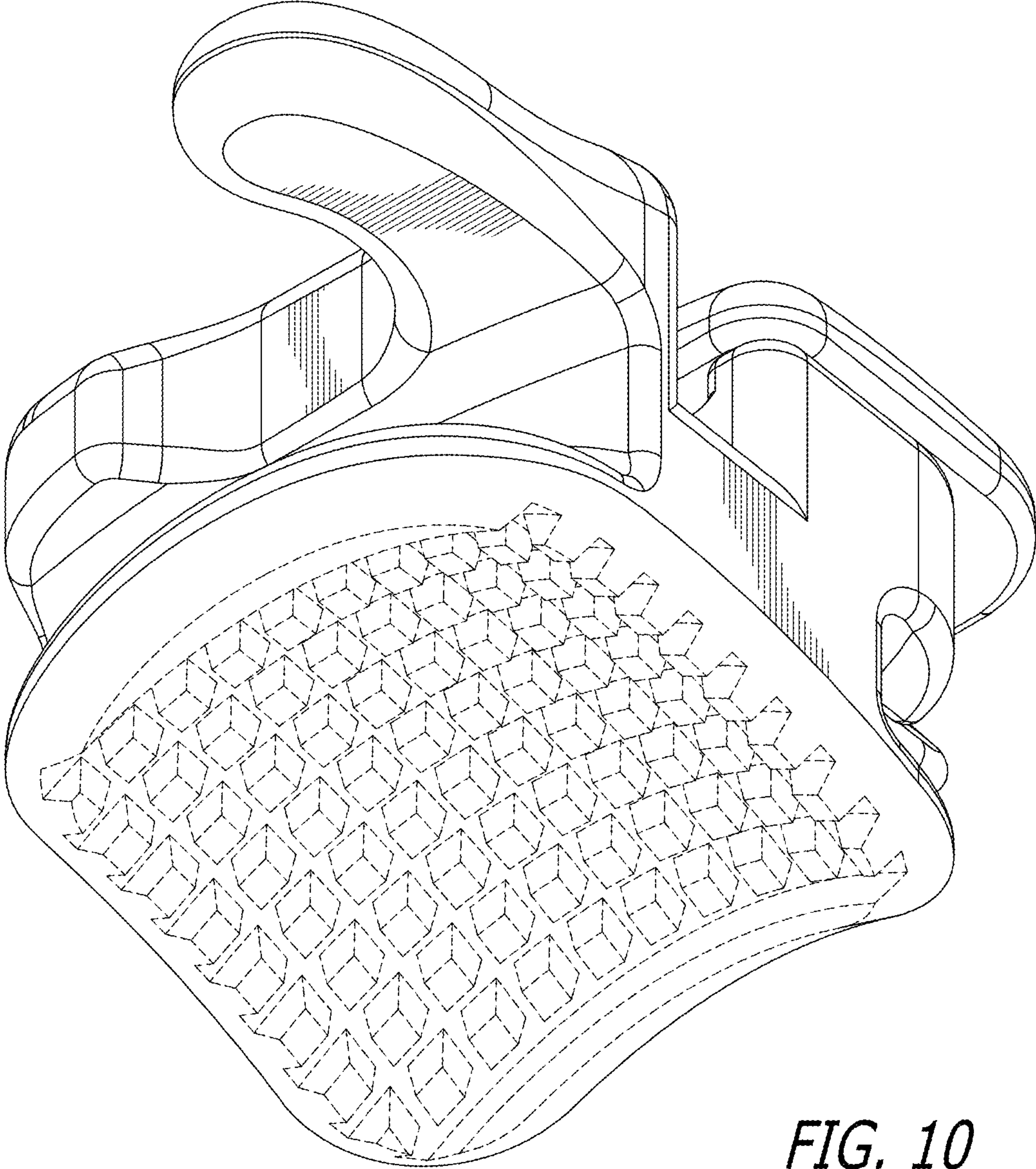


FIG. 10

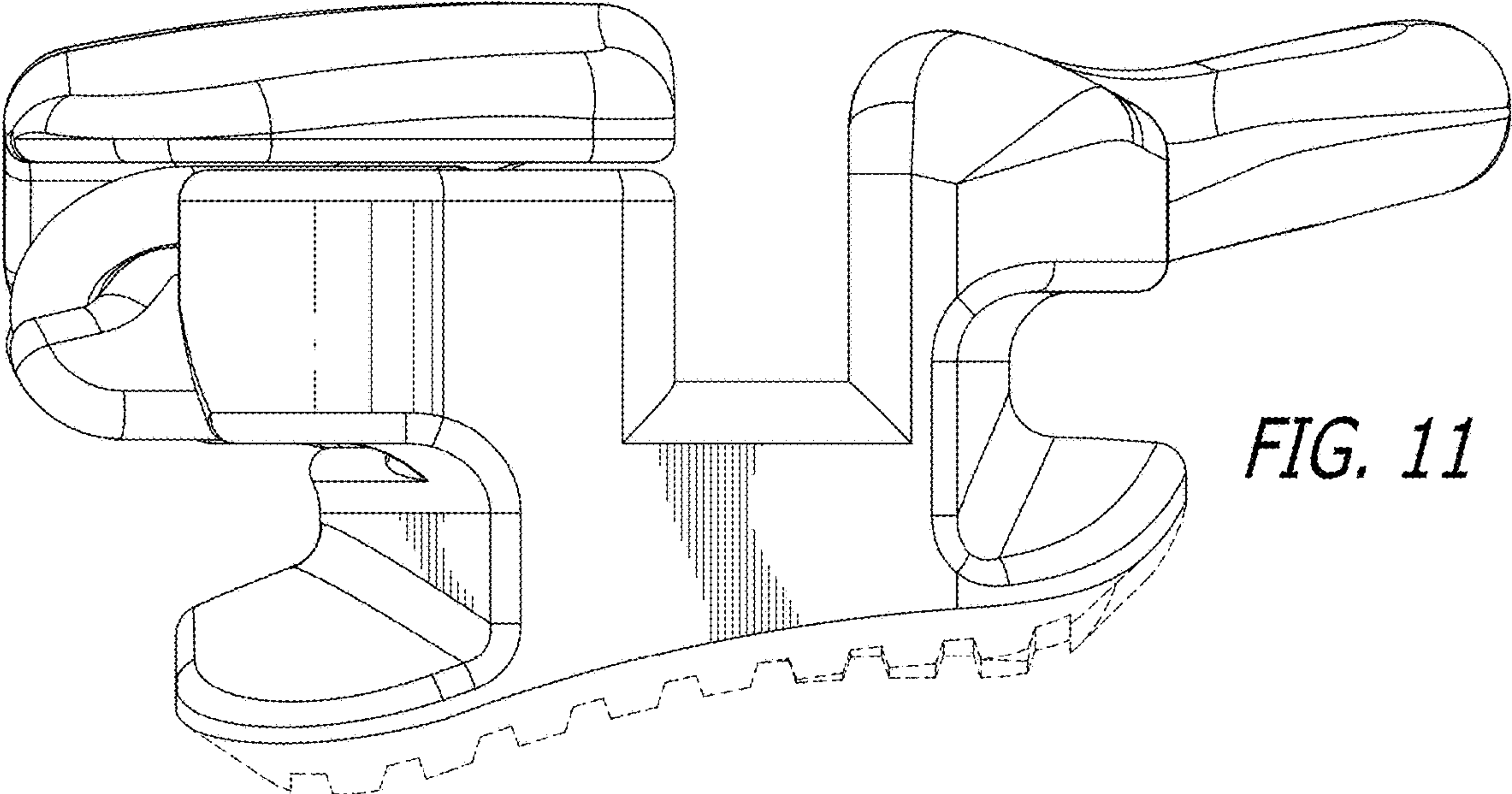


FIG. 11

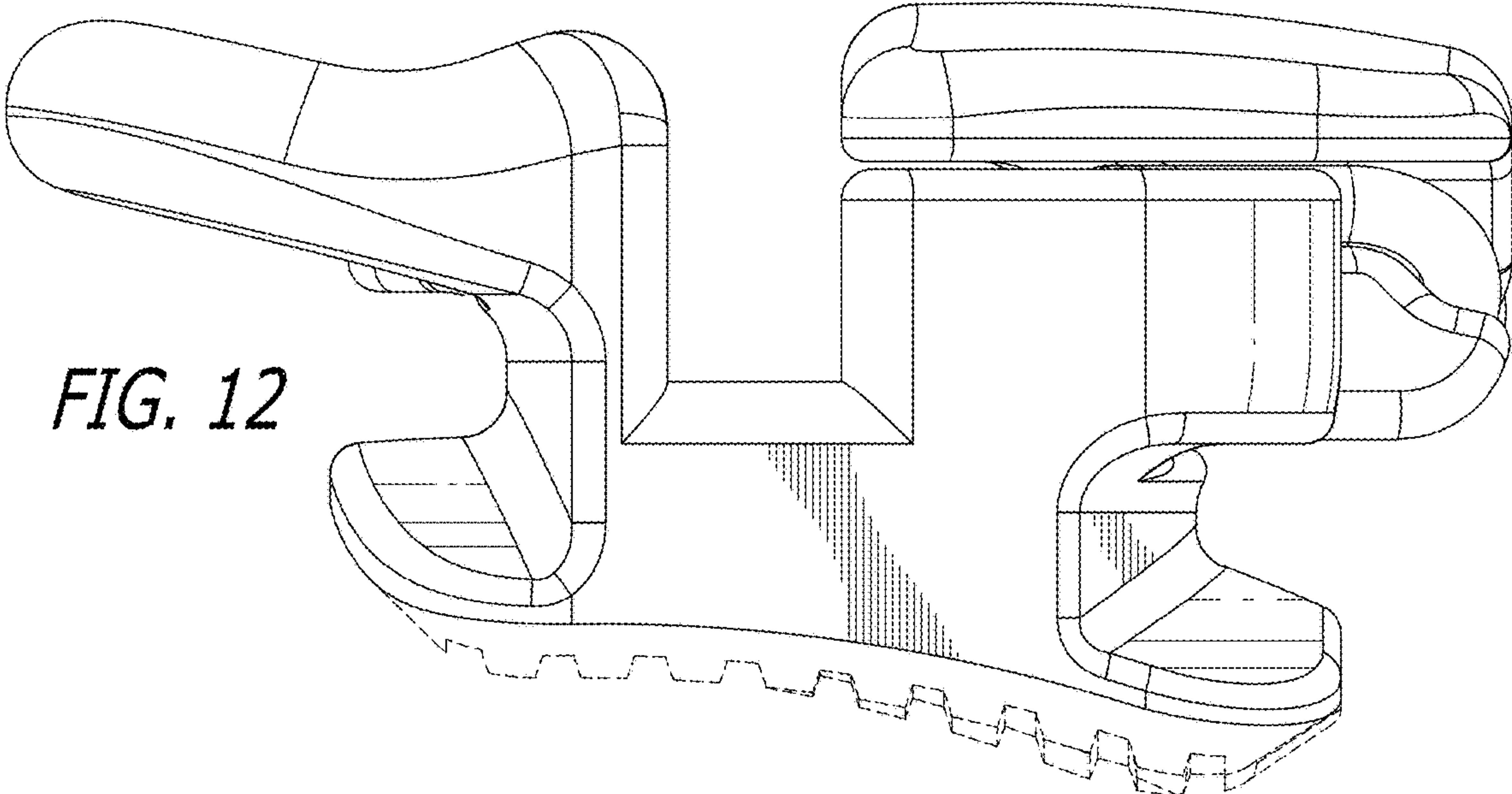


FIG. 12

FIG. 13

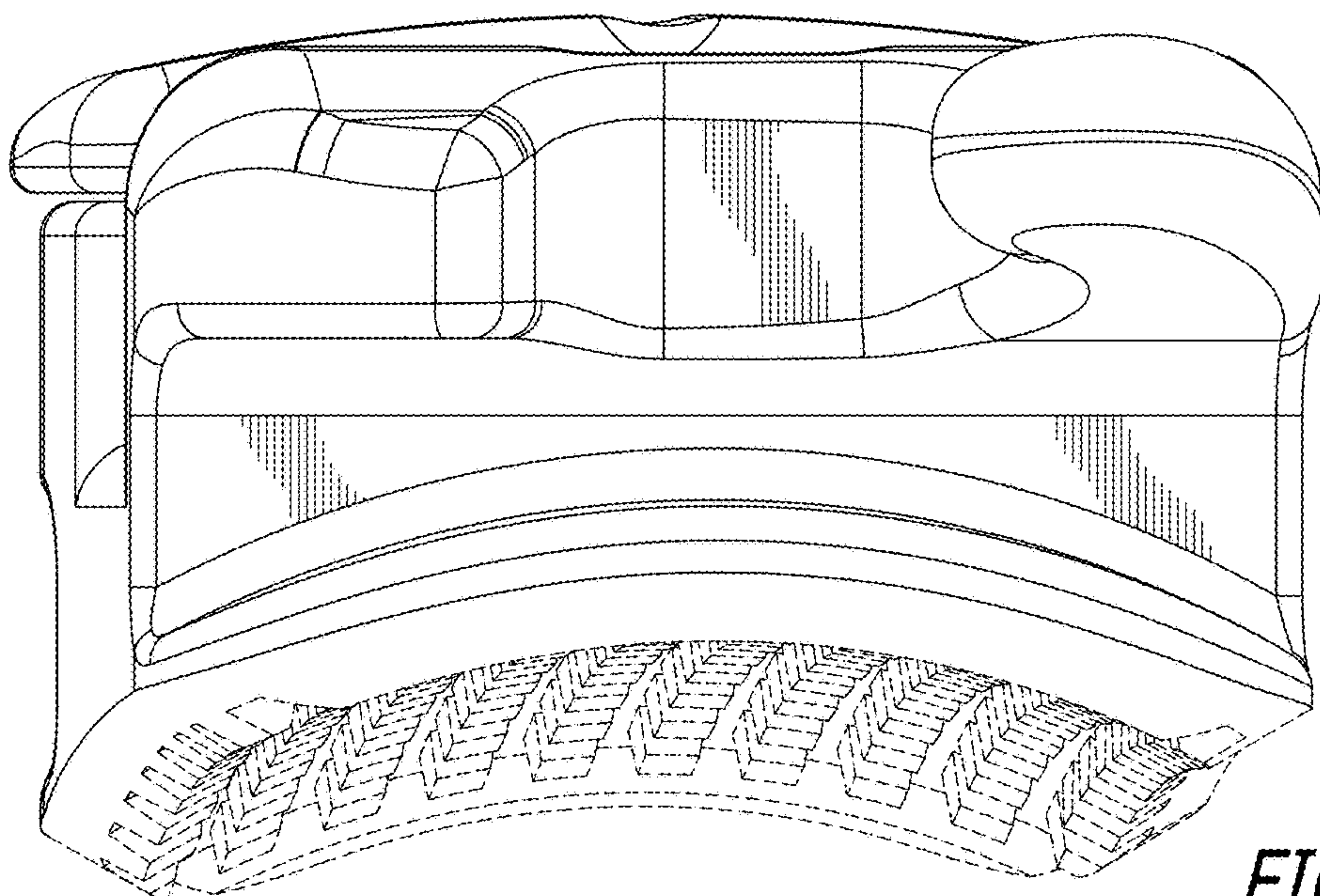
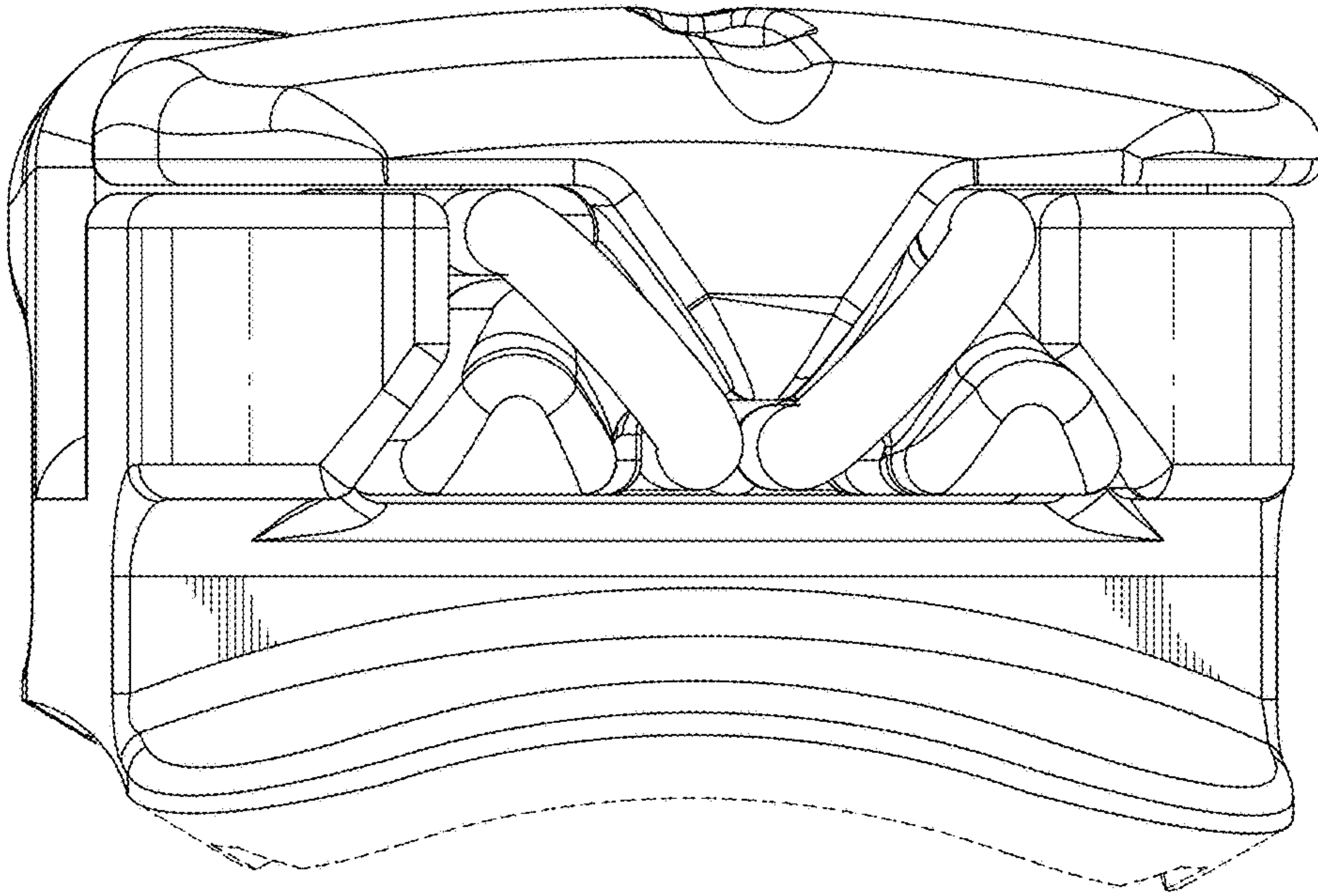


FIG. 14

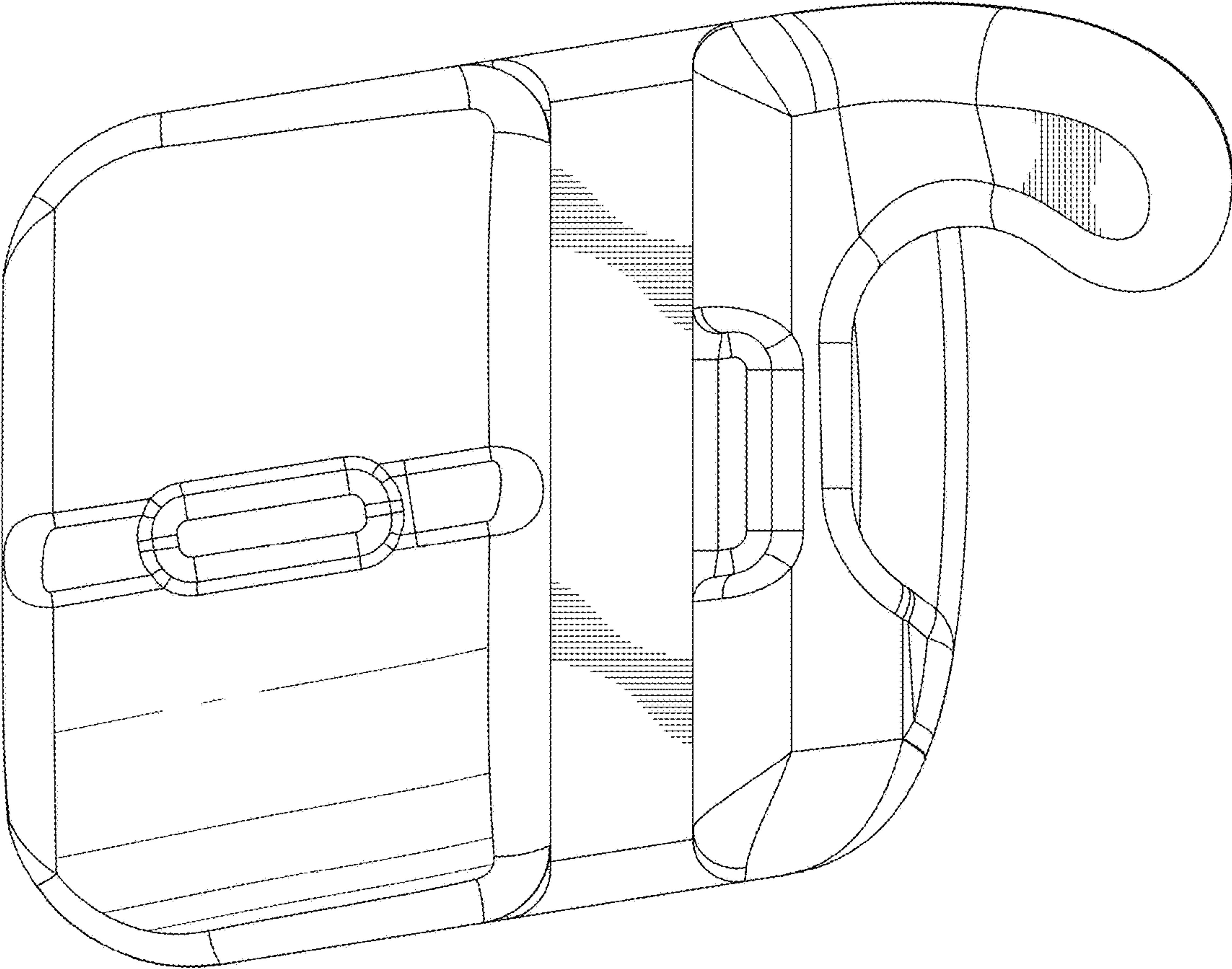


FIG. 15

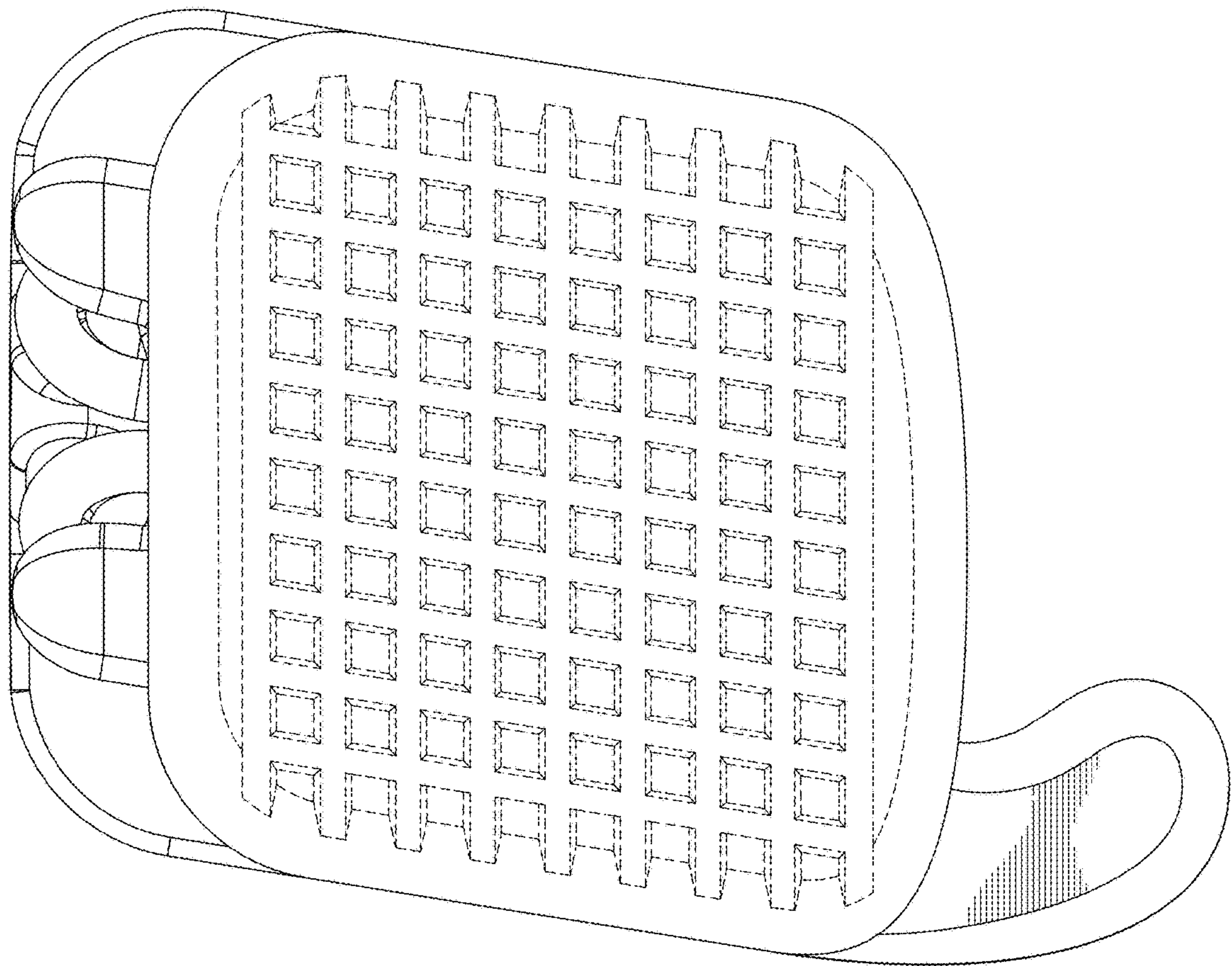


FIG. 16