



US00D804036S

(12) **United States Design Patent**
Wait et al.

(10) **Patent No.:** **US D804,036 S**

(45) **Date of Patent:** **** Nov. 28, 2017**

(54) **DENTAL WATER SUPPLY CONTROLLER**

(71) Applicant: **Mark L. Anderson**, Spring Valley, WI (US)

(72) Inventors: **Jim Wait**, Spring Valley, WI (US);
Amy Ley, River Falls, WI (US); **Neil Gensing**, Menomonie, WI (US);
Charles Gruber, Elmwood, WI (US)

(73) Assignee: **Mark L. Anderson**, Spring Valley, WI (US)

(**) Term: **15 Years**

(21) Appl. No.: **29/552,957**

(22) Filed: **Jan. 27, 2016**

(51) **LOC (10) Cl.** **24-02**

(52) **U.S. Cl.**
USPC **D24/176**

(58) **Field of Classification Search**

USPC D24/176-182, 186, 152
CPC ... A61C 1/0084; A61C 1/0061; A61C 1/0023;
A61C 1/0076; A61C 1/02; A61C 1/052
See application file for complete search history.

(56) **References Cited**

U.S. PATENT DOCUMENTS

5,261,816 A * 11/1993 Varnes A61C 1/0061
433/82
6,056,260 A * 5/2000 Stewart A61C 1/0061
251/4

D438,953 S * 3/2001 Frank D24/176
6,835,181 B2 * 12/2004 Hippensteel A61C 1/0084
433/88
2005/0101893 A1 * 5/2005 Hippensteel A61C 1/0084
601/162
2015/0297317 A1 * 10/2015 Chen A61C 1/0084
433/32
2016/0262848 A1 * 9/2016 Gruber A61C 1/0084
2016/0331115 A1 * 11/2016 Follows A61C 1/0084

* cited by examiner

Primary Examiner — Wan Laymon

(74) *Attorney, Agent, or Firm* — Skinner and Associates;
Joel Skinner

(57) **CLAIM**

The ornamental design for a dental water supply controller, as shown and described.

DESCRIPTION

FIG. 1 is a perspective view of a dental water supply controller showing an embodiment of the design of the invention. The broken line in the drawings is included for the purpose of illustrating portions of the dental water supply controller and forms no part of the claimed design.

FIG. 2 is a back view thereof.

FIG. 3 is a front view thereof.

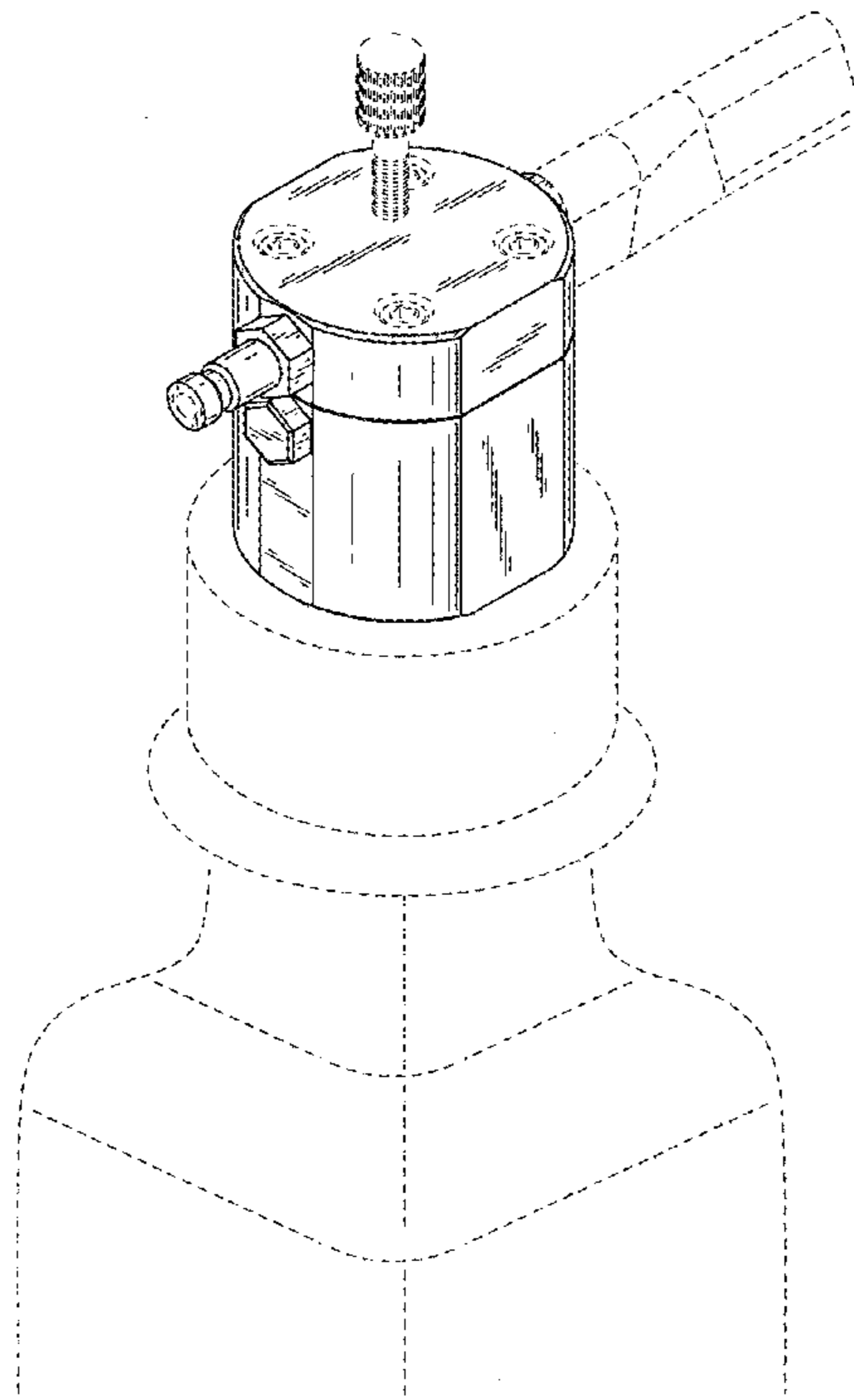
FIG. 4 is a bottom view thereof.

FIG. 5 is a top view thereof.

FIG. 6 is a left end view thereof; and,

FIG. 7 is a right end view thereof.

1 Claim, 5 Drawing Sheets



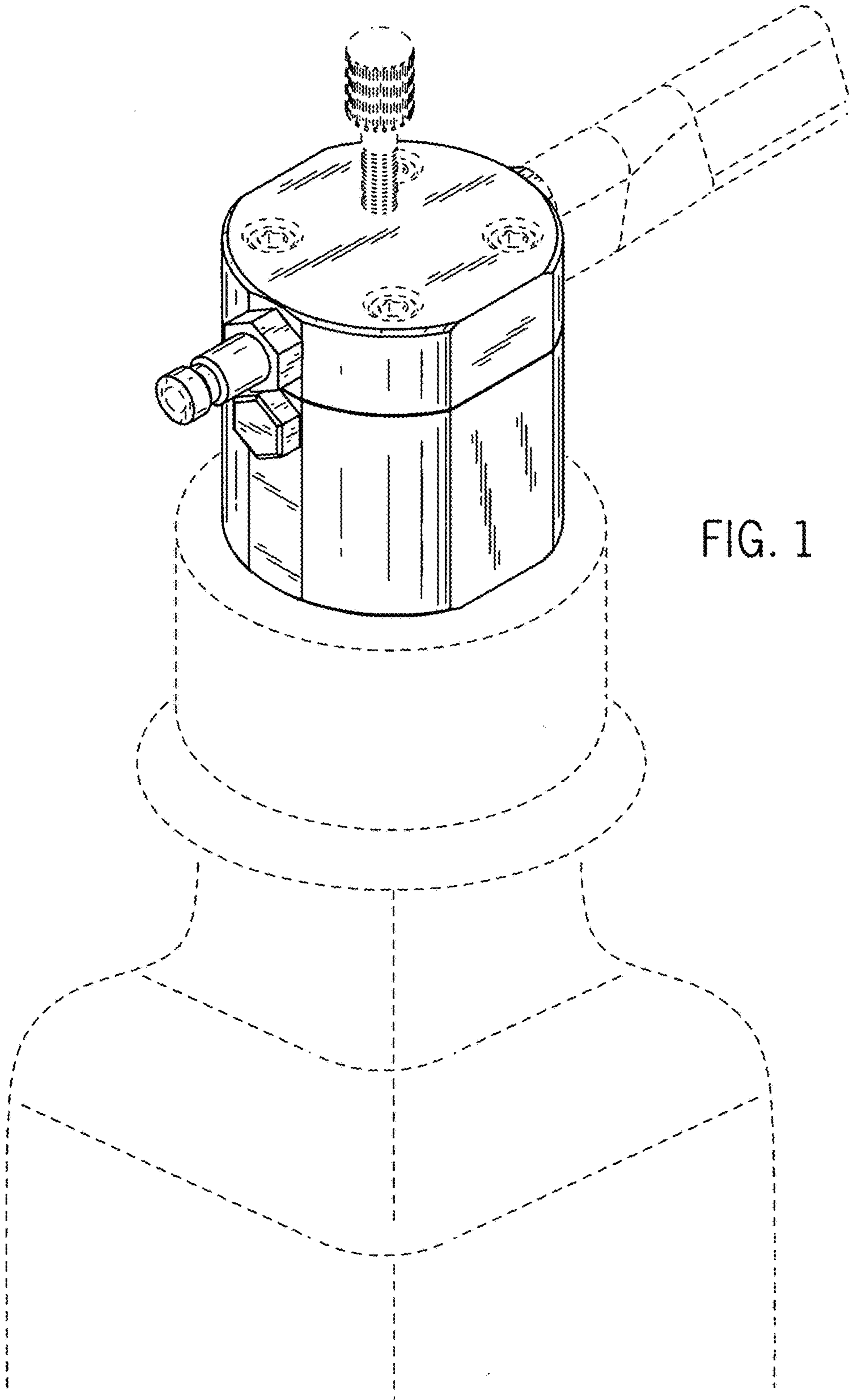
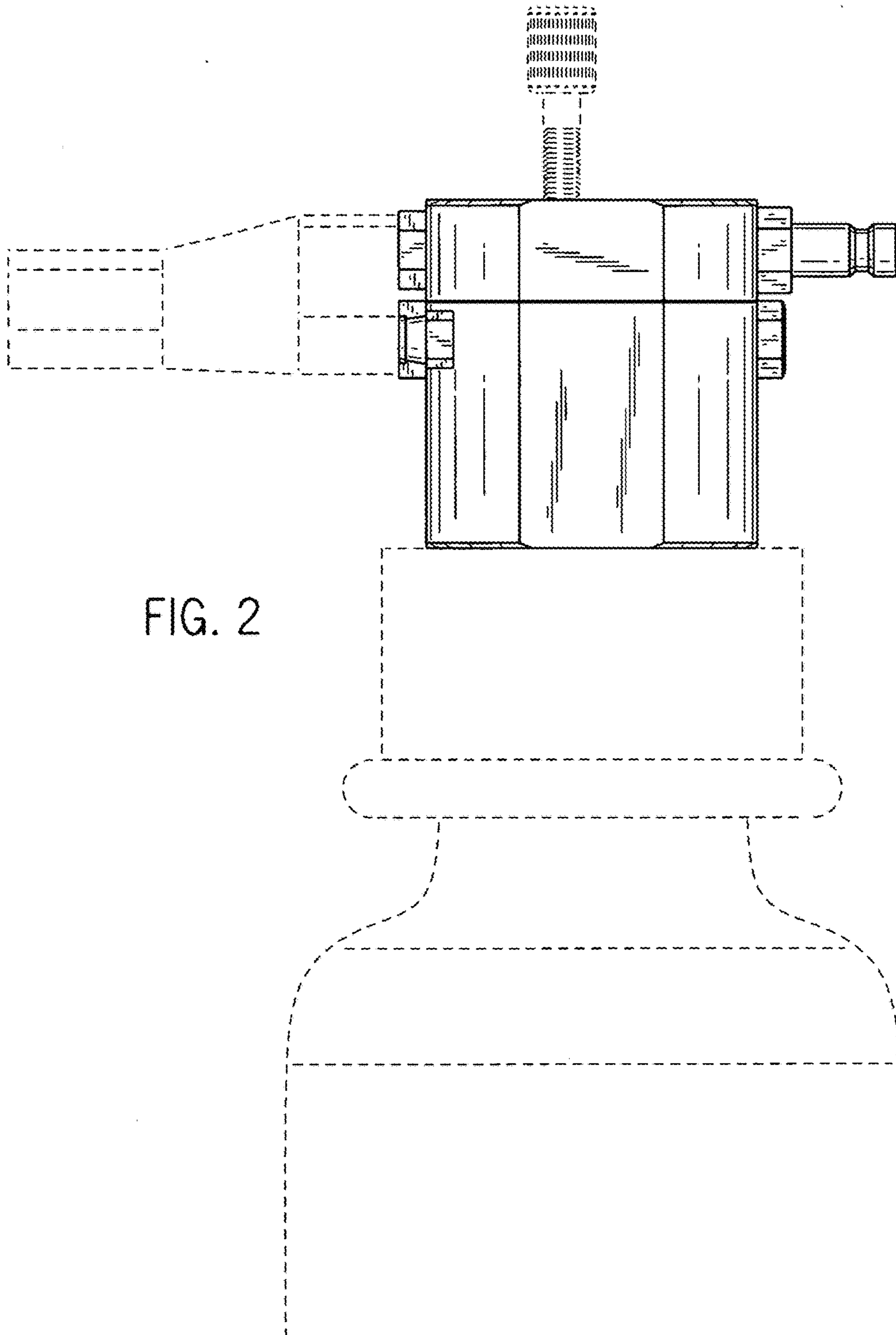


FIG. 1



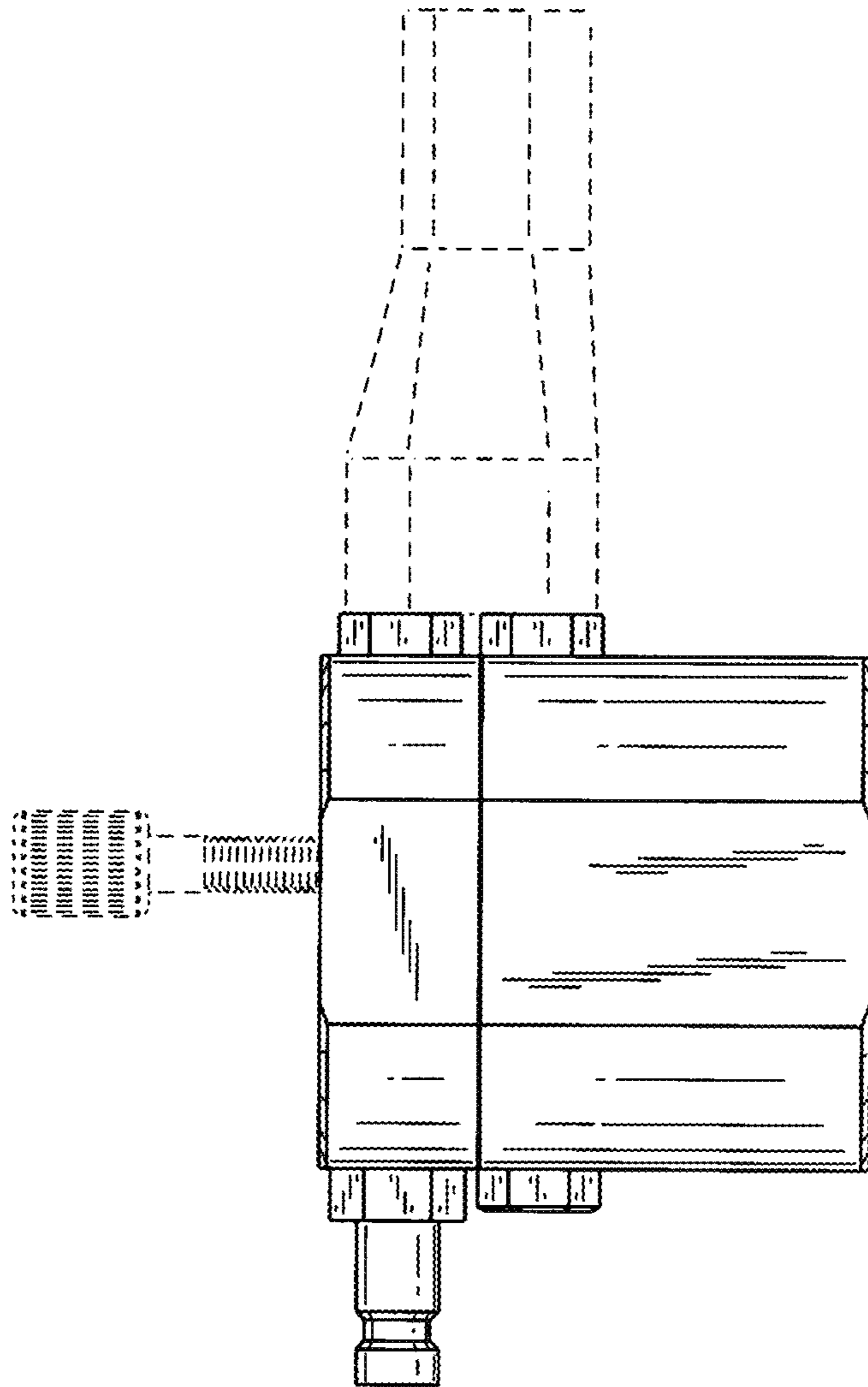


FIG. 3

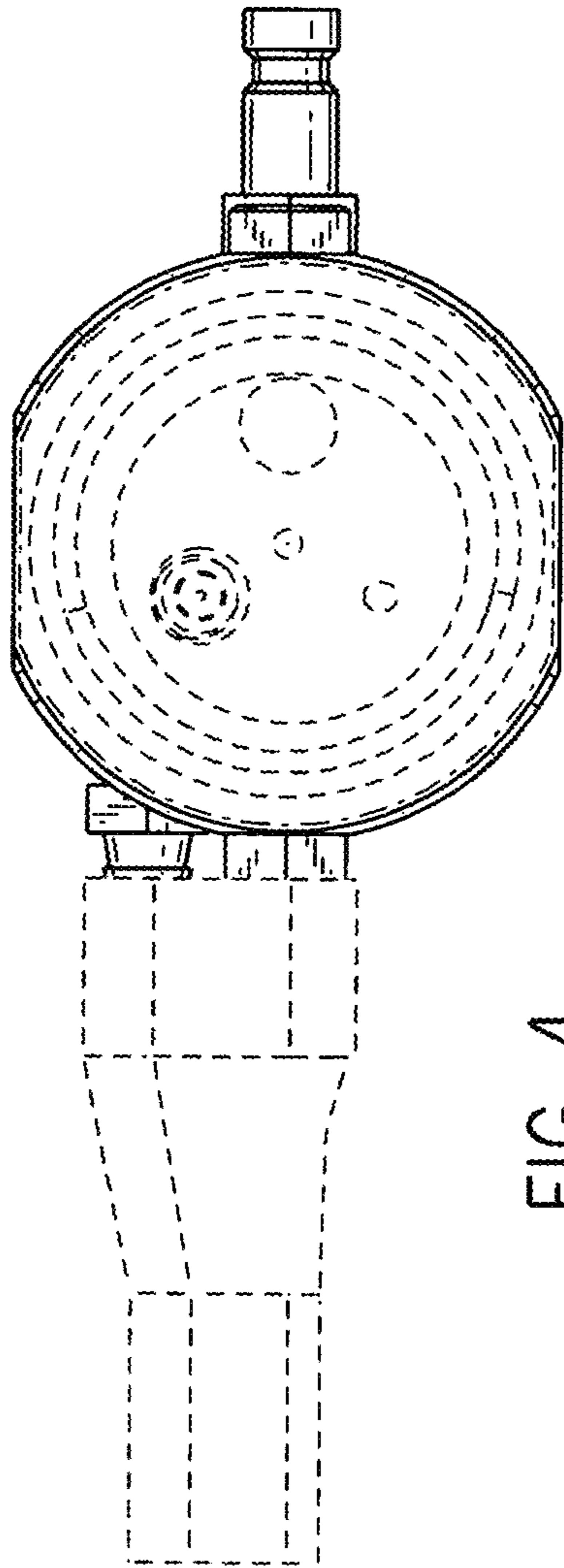


FIG. 4

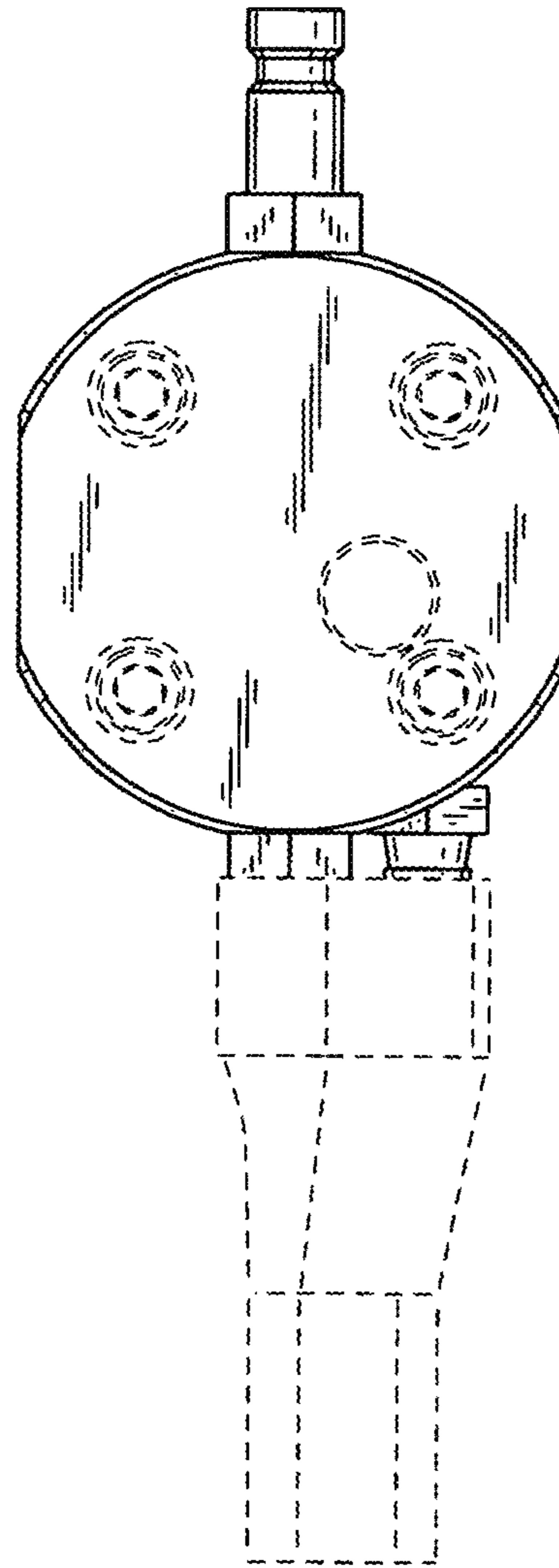


FIG. 5

