



US00D804034S

(12) **United States Design Patent** (10) **Patent No.:** **US D804,034 S**  
**Gabathuler et al.** (45) **Date of Patent:** **\*\* Nov. 28, 2017**

(54) **HEARING AID**

(56) **References Cited**

(71) Applicant: **Sonova AG**, Stäfa (CH)

U.S. PATENT DOCUMENTS

(72) Inventors: **Bruno Gabathuler**, Grüningen (CH);  
**Erich Dittli**, Reichenburg (CH);  
**Richard Niccolai**, Uster (CH); **Hans  
Georg Meier**, Uerikon (CH); **Katja  
Dietrich**, Jona (CH)

D646,788 S	10/2011	Dubs et al.	
D663,846 S *	7/2012	Ingold .....	D24/174
D663,847 S	7/2012	Dubs et al.	
D667,121 S	9/2012	Mori et al.	
D670,814 S *	11/2012	Kwon .....	D24/174
D676,559 S	2/2013	Meinertz	
D685,912 S	7/2013	Havn et al.	
D687,952 S	8/2013	Dubs	
D698,027 S	1/2014	Olsen	
D722,167 S *	2/2015	Li .....	D24/174
D722,168 S	2/2015	Darkes	
D734,855 S	7/2015	Meinertz	
2010/0111315 A1 *	5/2010	Kroman .....	H04R 25/305 381/60

(73) Assignee: **SONOVA AG**, Stafa (CH)

(\*\*) Term: **15 Years**

(21) Appl. No.: **29/561,813**

(22) Filed: **Apr. 20, 2016**

\* cited by examiner

**Related U.S. Application Data**

(62) Division of application No. 29/521,301, filed on Mar. 23, 2015, now Pat. No. Des. 762,305.

*Primary Examiner* — Anhdao Doan

(74) *Attorney, Agent, or Firm* — Rankin, Hill & Clark LLP

**Foreign Application Priority Data**

Sep. 24, 2014 (WO) ..... 841 117 601

(51) **LOC (10) Cl.** ..... **24-99**

(52) **U.S. Cl.**  
USPC ..... **D24/174**

(58) **Field of Classification Search**  
USPC ..... D24/173-175; D14/205, 223-226, 249  
CPC .. H04R 2225/025; H04R 25/60; H04R 25/63;  
H04R 25/67; H04R 25/602; H04R  
25/604; H04R 25/608; H04R 25/65;  
H04R 25/652

See application file for complete search history.

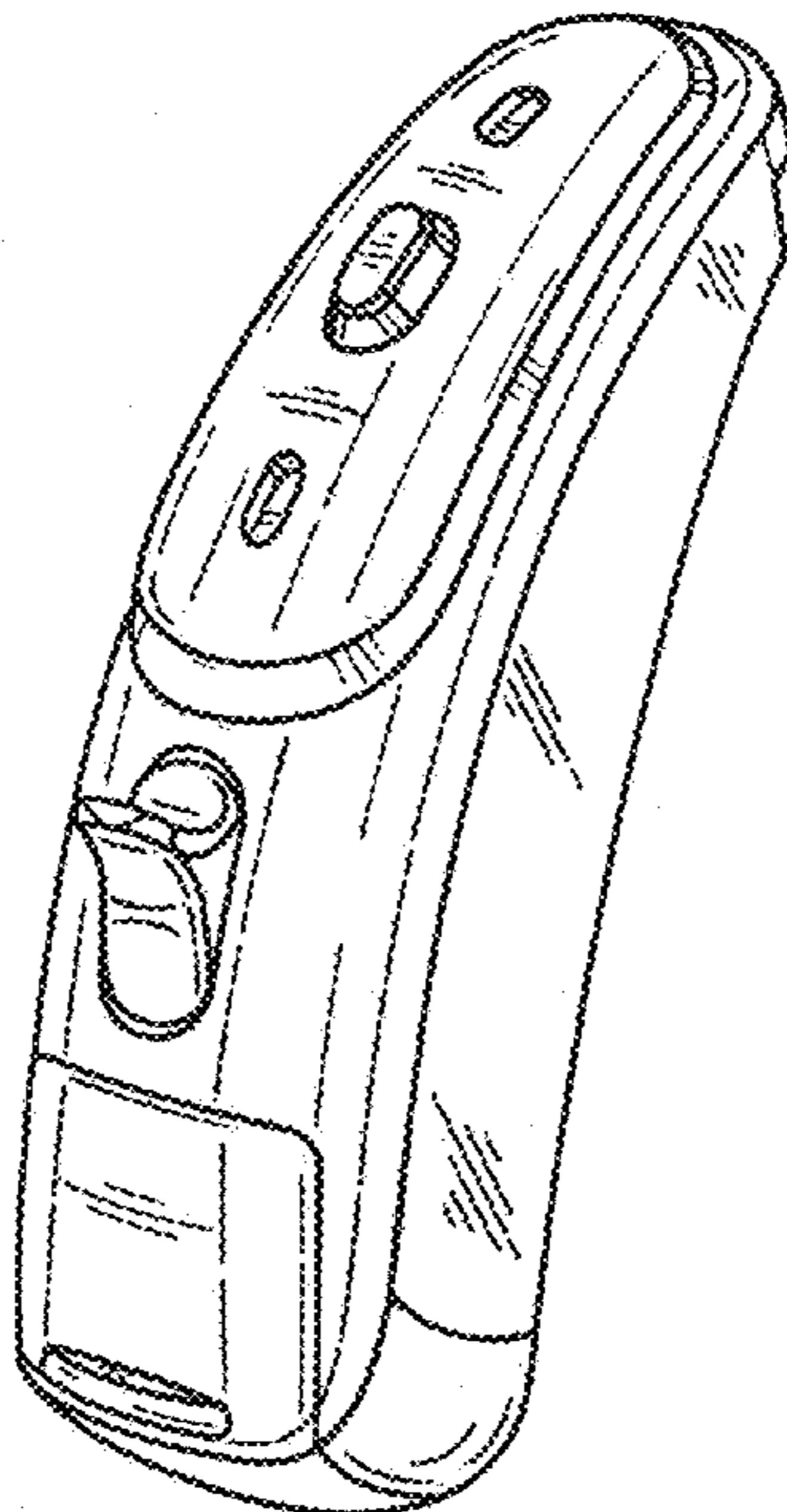
(57) **CLAIM**

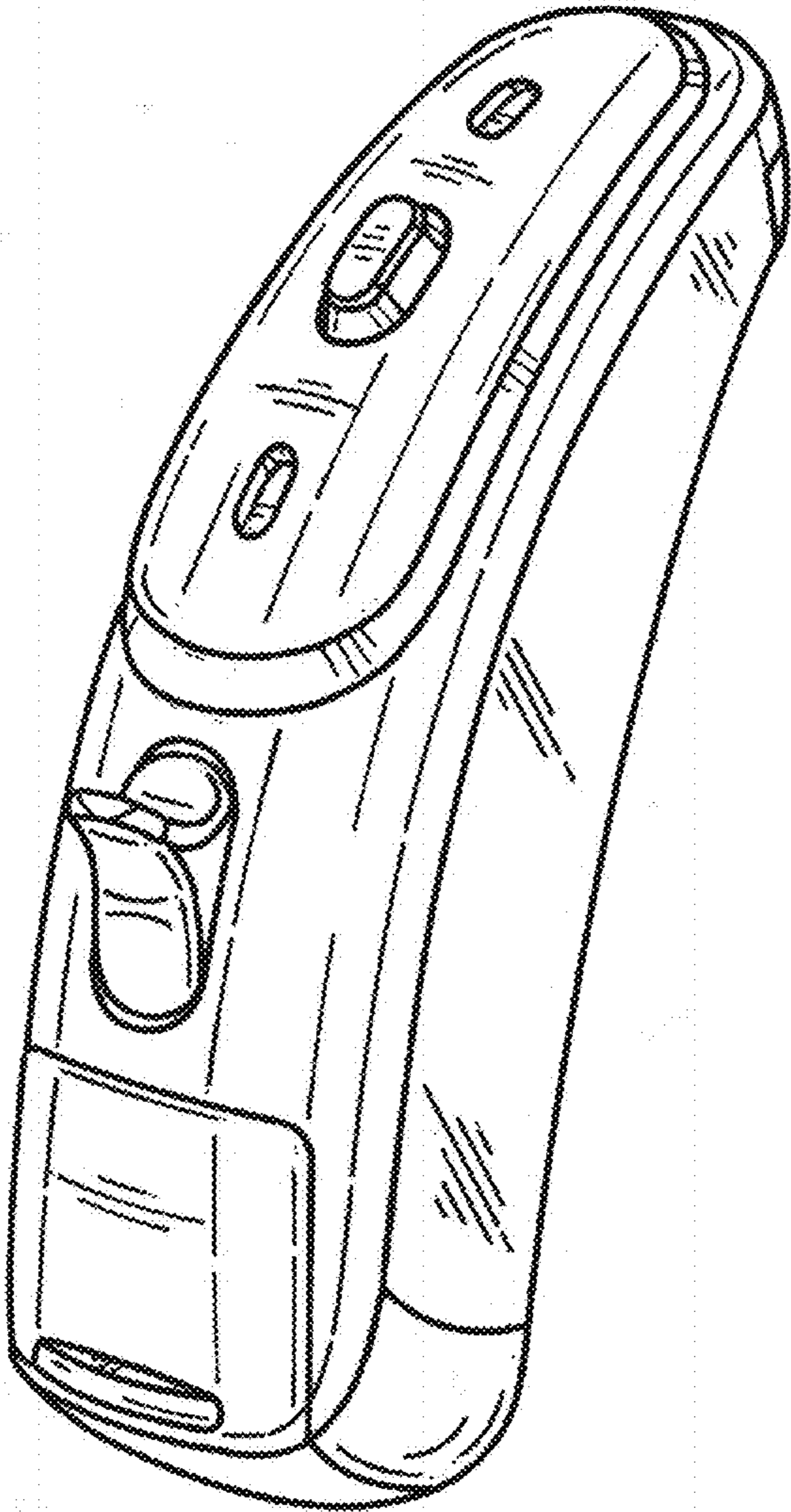
The ornamental design for a hearing aid, as shown and described.

**DESCRIPTION**

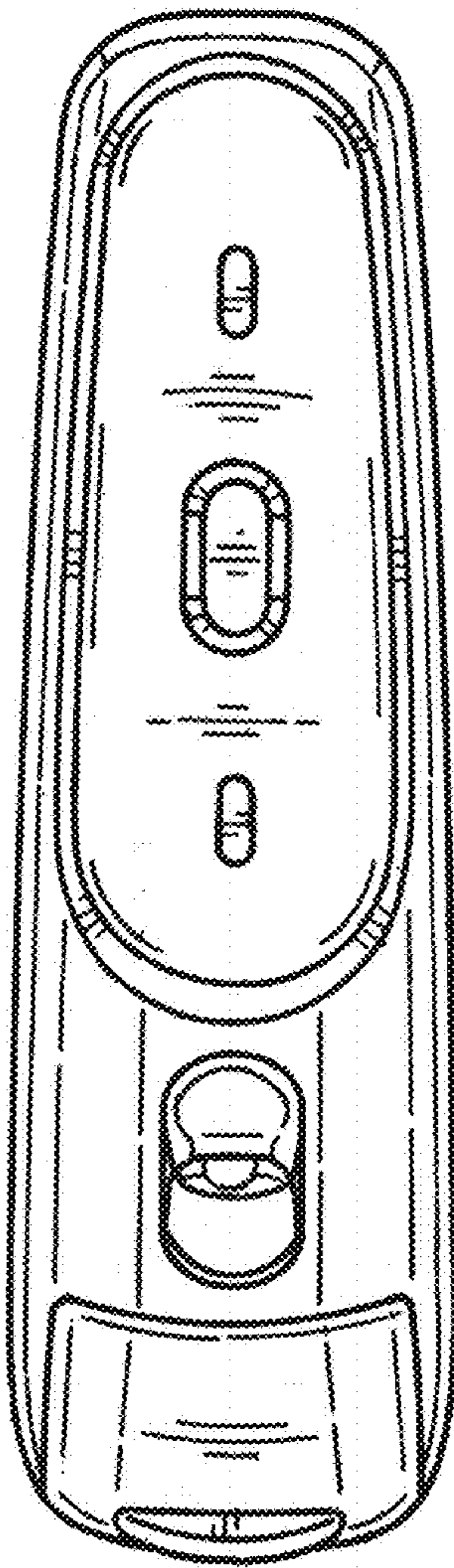
FIG. 1 is a perspective view of a hearing aid embodying the design;  
FIG. 2 is a front view of the hearing aid of FIG. 1;  
FIG. 3 is a rear view of the hearing aid of FIG. 1;  
FIG. 4 is a right side view of the hearing aid of FIG. 1;  
FIG. 5 is a left side view of the hearing aid of FIG. 1;  
FIG. 6 is a top view of the hearing aid of FIG. 1; and,  
FIG. 7 is a bottom view of the hearing aid of FIG. 1.

**1 Claim, 7 Drawing Sheets**

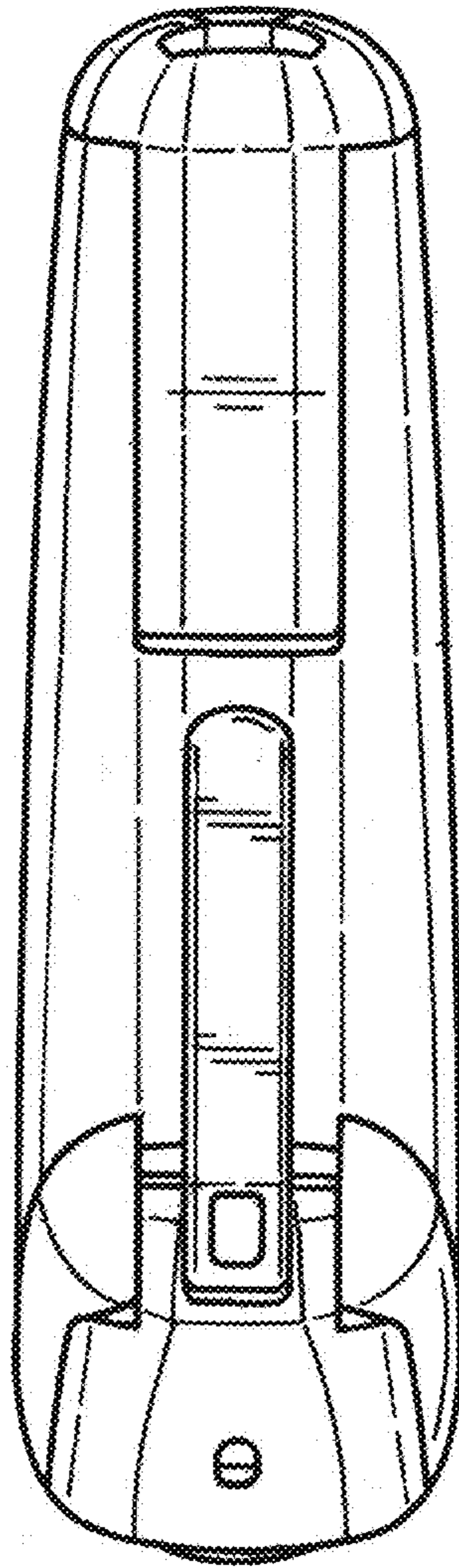




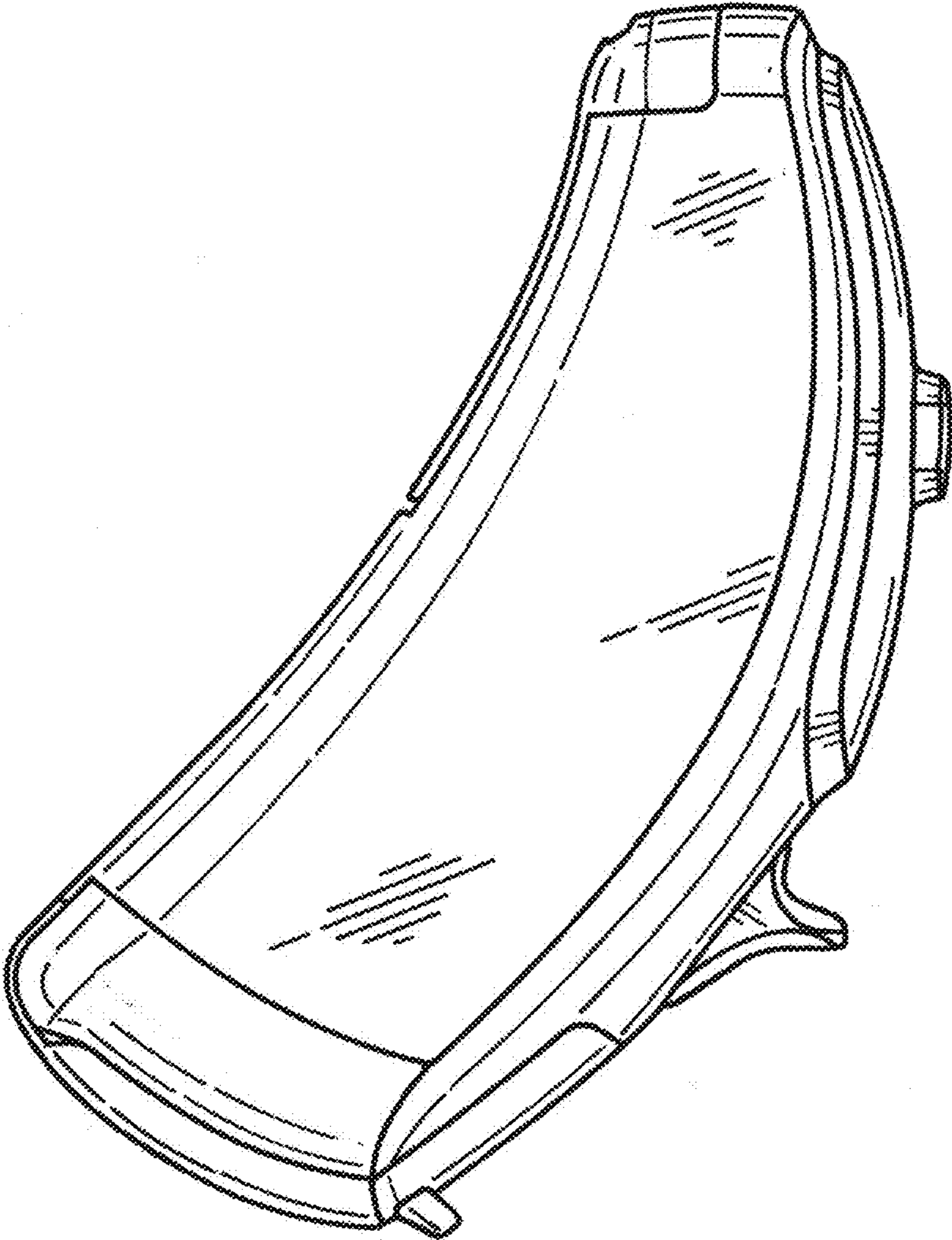
**FIG. 1**



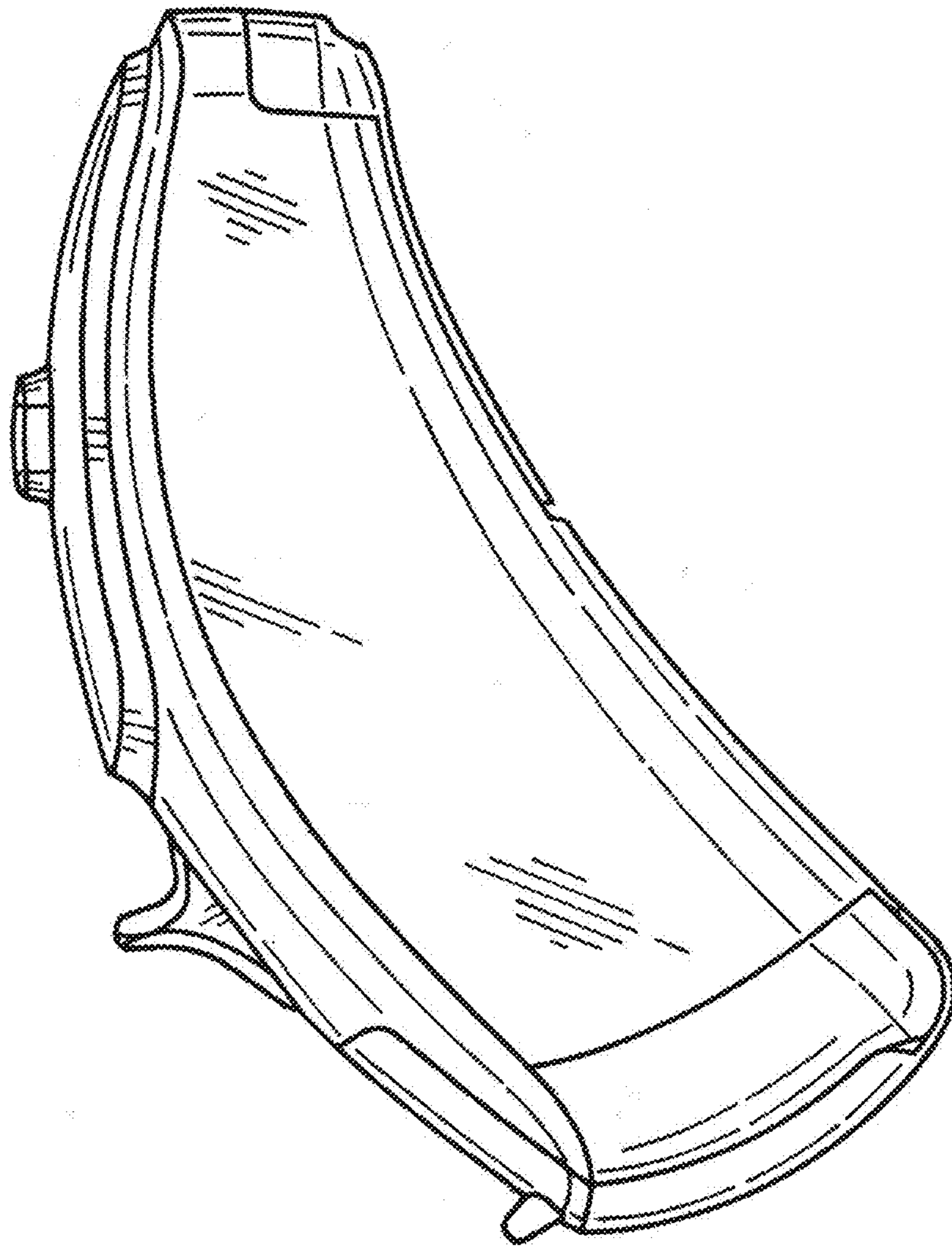
**FIG. 2**



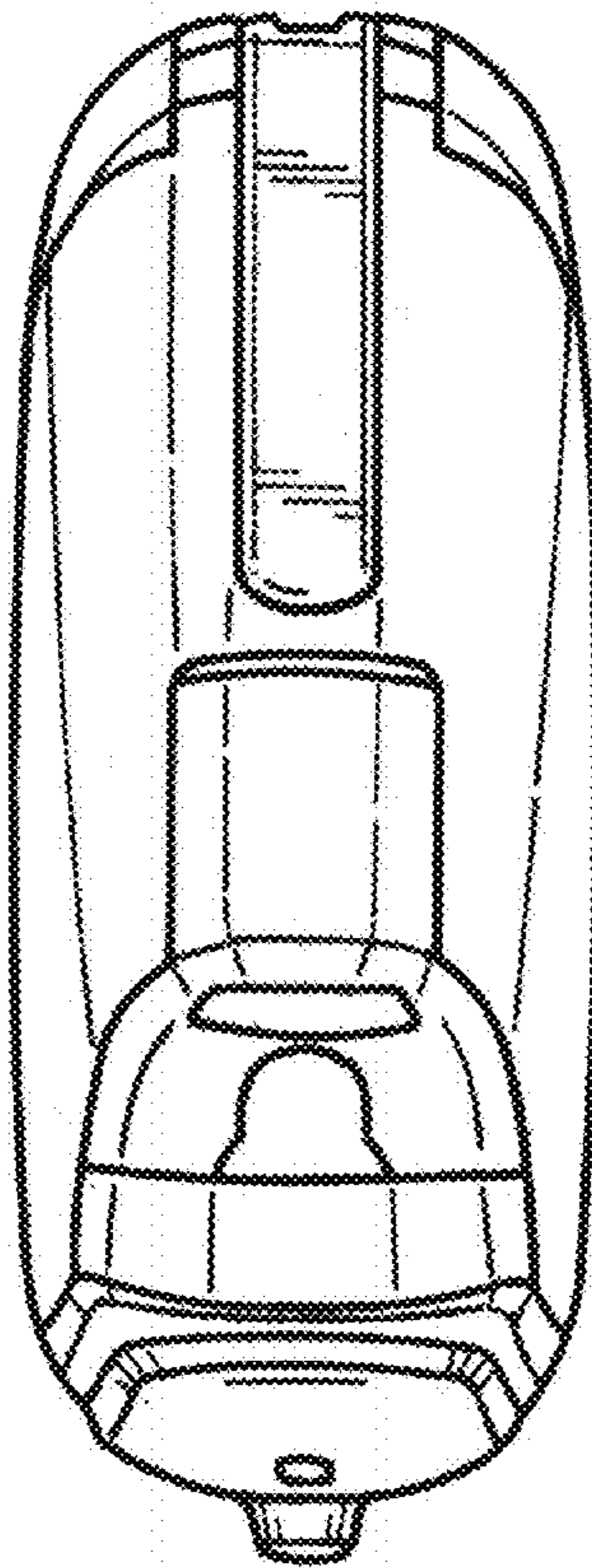
**FIG. 3**



**FIG. 4**



**FIG. 5**



**FIG. 6**

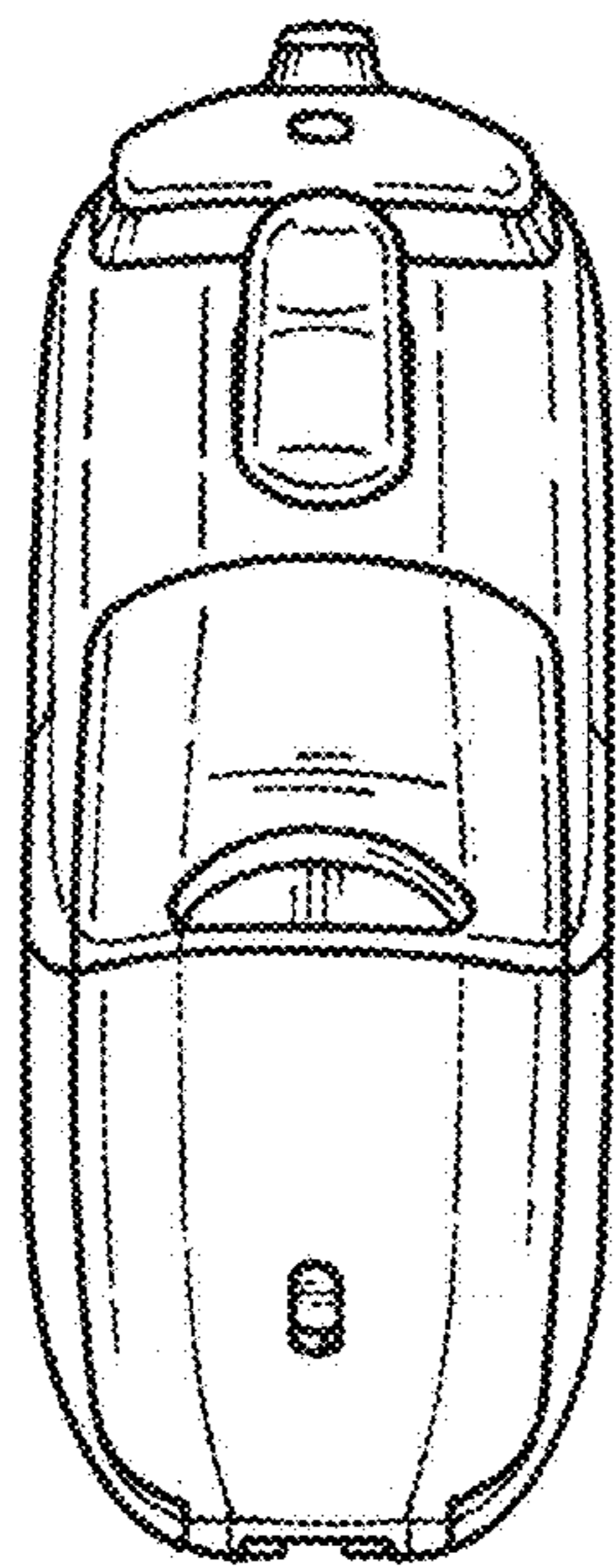


FIG. 7