



US00D804032S

(12) **United States Design Patent** (10) **Patent No.:** **US D804,032 S**  
**Yanase et al.** (45) **Date of Patent:** **\*\* Nov. 28, 2017**

(54) **ULTRASOUND DIAGNOSIS APPARATUS**

(71) Applicant: **Hitachi, Ltd.**, Chiyoda-ku, Tokyo (JP)

(72) Inventors: **Kazuyuki Yanase**, Tokyo (JP);  
**Katsumi Usami**, Tokyo (JP); **Toshiyuki Senda**, Tokyo (JP); **Masaru Ichimura**, Tokyo (JP); **Taisuke Matsushita**, Tokyo (JP); **Naoyuki Naruse**, Tokyo (JP); **Akinori Sato**, Tokyo (JP)

(73) Assignee: **Hitachi, Ltd.**, Tokyo (JP)

(\*\*) Term: **15 Years**

(21) Appl. No.: **29/554,329**

(22) Filed: **Feb. 10, 2016**

(30) **Foreign Application Priority Data**

Aug. 26, 2015 (JP) ..... 2015-018730

(51) **LOC (10) Cl.** ..... **24-01**

(52) **U.S. Cl.**  
USPC ..... **D24/160**

(58) **Field of Classification Search**  
USPC ..... D24/158-161, 185, 186, 107  
CPC ... A61B 6/4405; A61B 6/4411; A61B 6/4435;  
A61B 6/4441; A61B 6/4447; A61B  
8/4405; A61B 8/4411; A61B 8/4427;  
A61B 8/462; A61B 8/0437; A61B 8/0883  
See application file for complete search history.

(56) **References Cited**

U.S. PATENT DOCUMENTS

D559,390 S \* 1/2008 Diener ..... D24/186  
D697,211 S \* 1/2014 Ninomiya ..... D24/158  
D712,037 S \* 8/2014 Hansen ..... D24/160  
D712,539 S \* 9/2014 Hansen ..... D24/160  
D712,540 S \* 9/2014 Hansen ..... D24/160  
D743,558 S \* 11/2015 Kim ..... D24/158

D744,658 S \* 12/2015 Hilkey-Boyatt ..... D11/86  
D767,764 S \* 9/2016 Chamberlain ..... D24/158  
2013/0190624 A1\* 7/2013 Beger ..... A61B 8/42  
600/443  
2014/0098049 A1\* 4/2014 Koch ..... G06F 3/016  
345/173  
2015/0094578 A1\* 4/2015 Ninomiya ..... A61B 8/4411  
600/437

\* cited by examiner

*Primary Examiner* — Anhdao Doan

(74) *Attorney, Agent, or Firm* — Crowell & Moring LLP

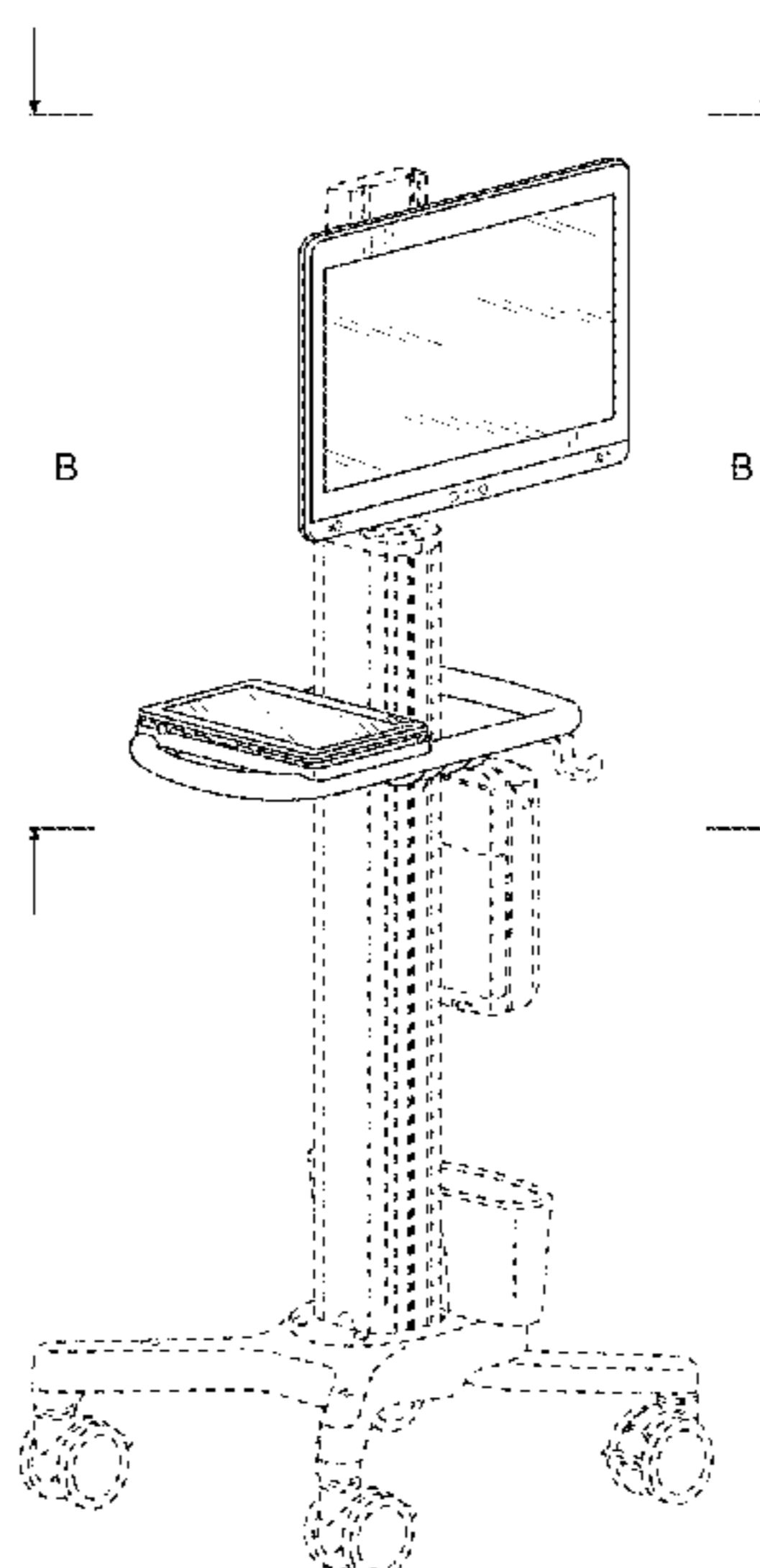
(57) **CLAIM**

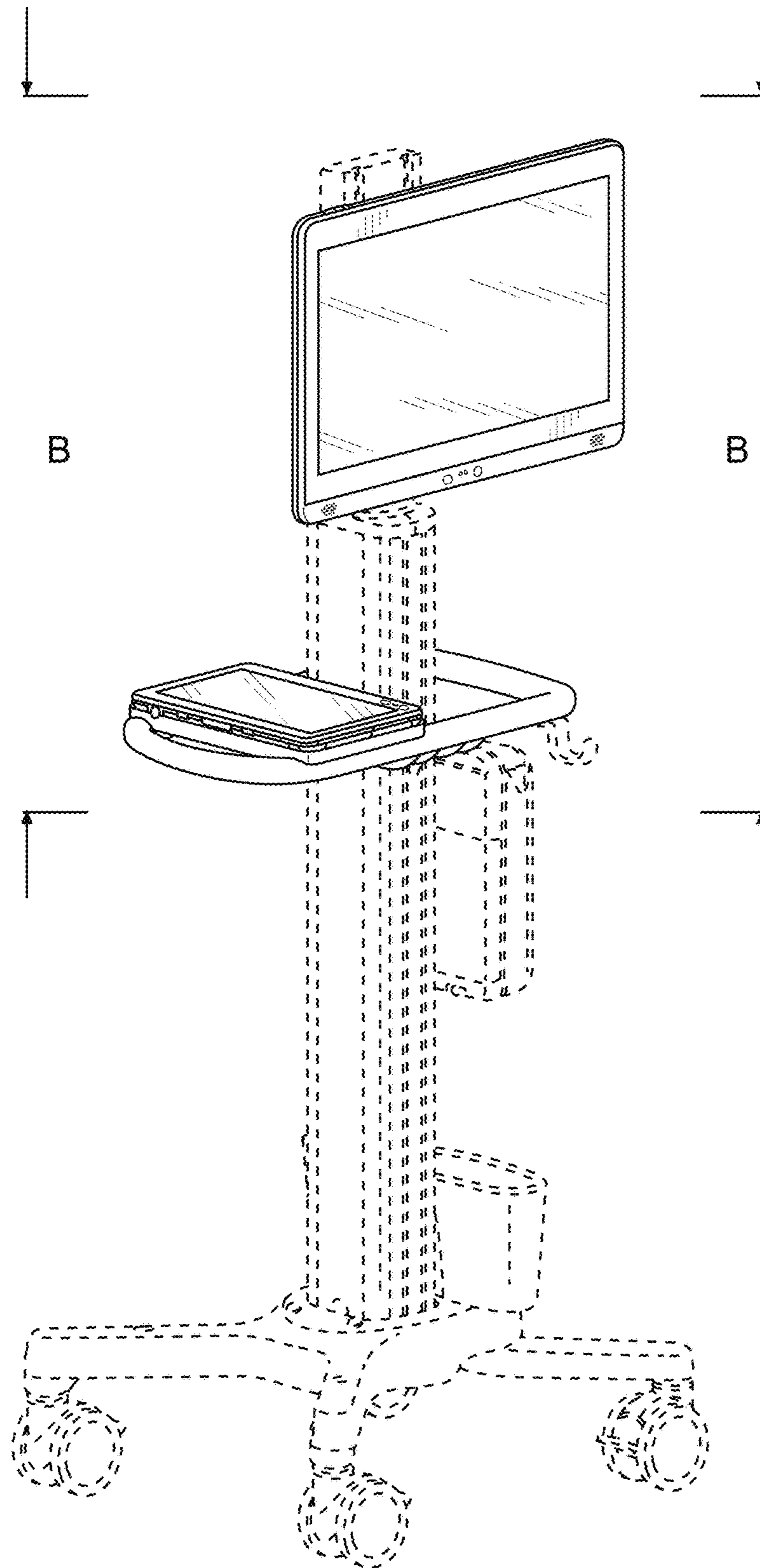
The ornamental design for an ultrasound diagnosis apparatus, as shown and described.

**DESCRIPTION**

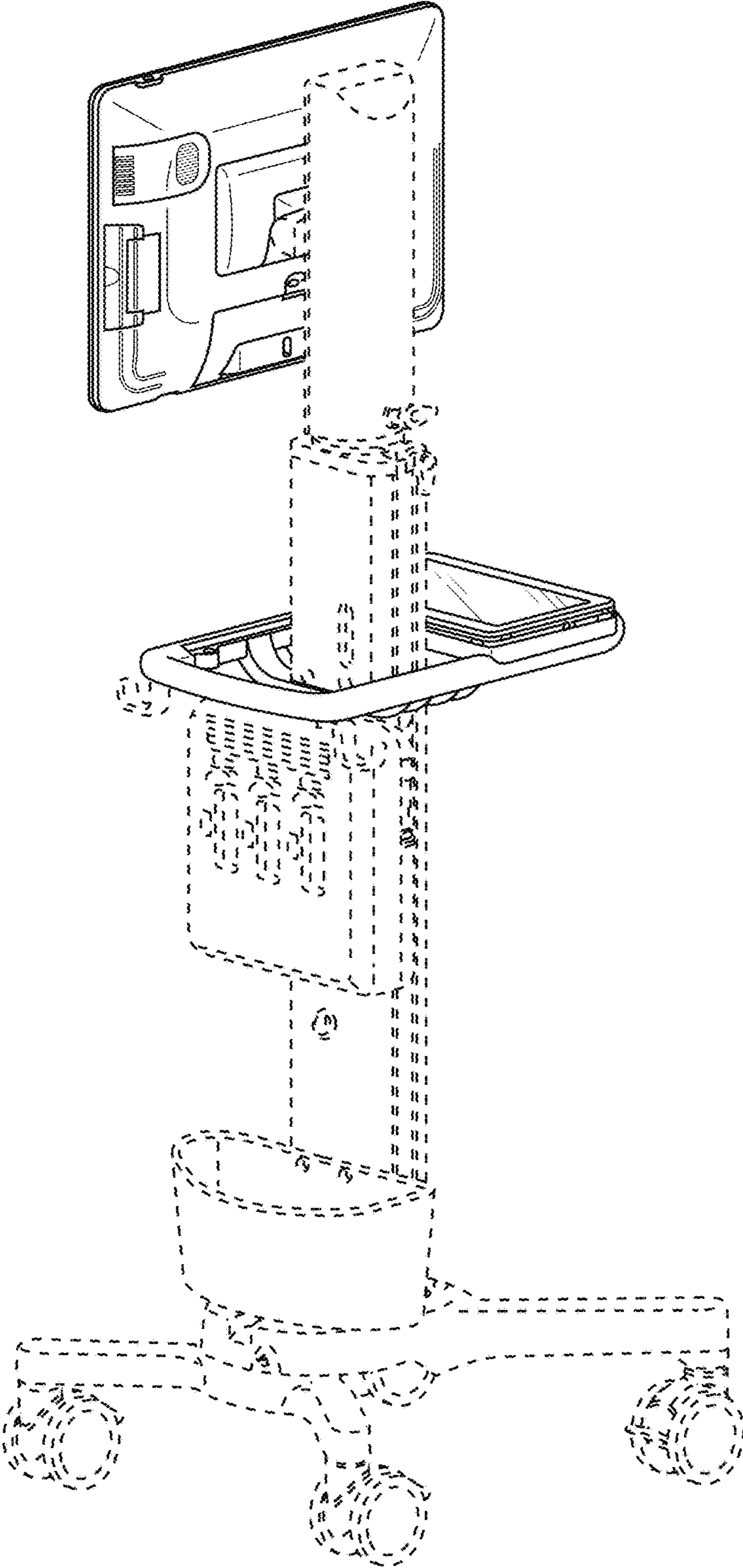
This application contains subject matter related to the following co-pending U.S. design patent applications: Application No. 29/554,327, filed herewith and entitled “Ultrasound Diagnosis Apparatus”; and Application No. 29/554,328, filed herewith and entitled “Ultrasound Diagnosis Apparatus”. FIG. 1 is a front perspective view of an ultrasound diagnosis apparatus according to the design; FIG. 2 is a rear perspective view thereof; FIG. 3 is a front elevational view thereof; FIG. 4 is a right side elevational view thereof; FIG. 5 is a left side elevational view thereof; FIG. 6 is a top plan view thereof; FIG. 7 is a bottom plan view thereof; FIG. 8 is a rear elevational view thereof; FIG. 9 is a cross-sectional view taken along line A-A of FIG. 3, omitting the inner mechanisms; and, FIG. 10 is an enlarged view taken along line B-B of FIG. 1. The broken lines illustrate portions of the ultrasound diagnosis apparatus that form no part of the claimed design.

**1 Claim, 10 Drawing Sheets**

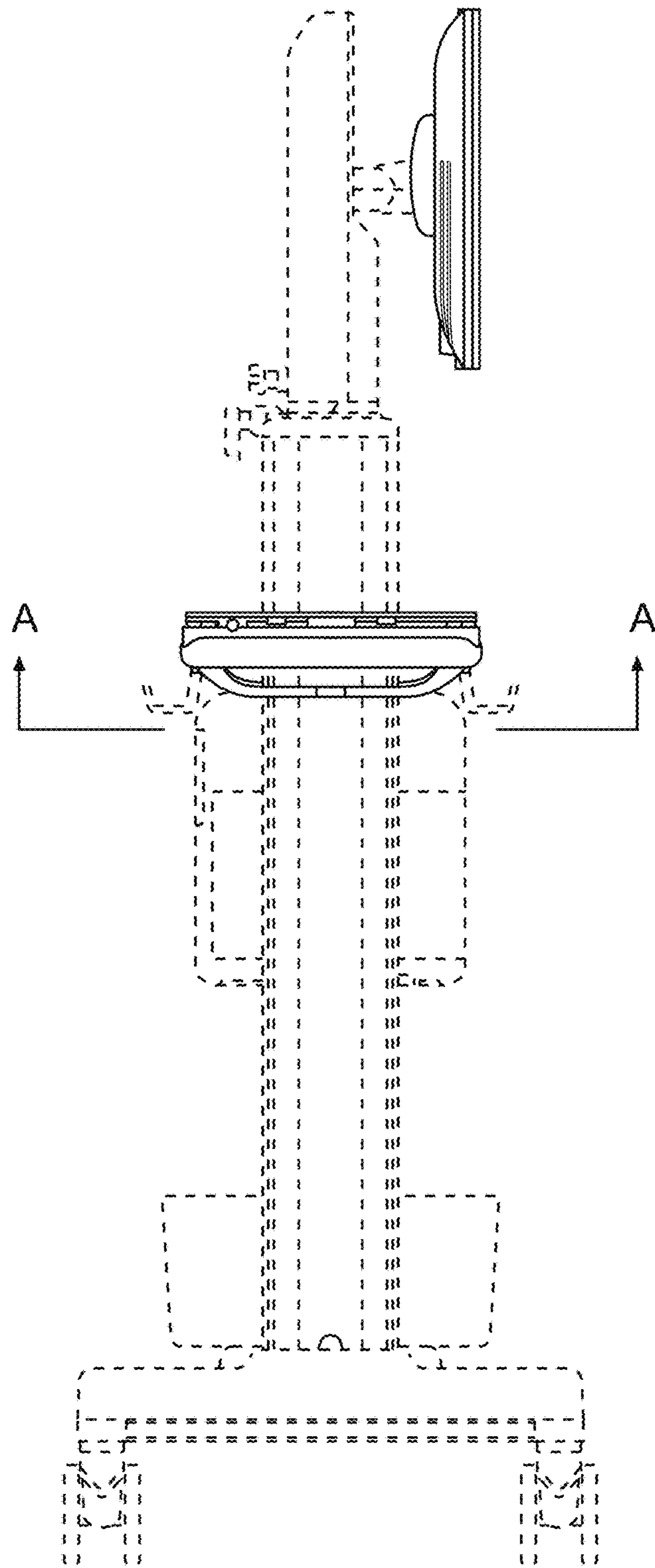




**FIG. 1**

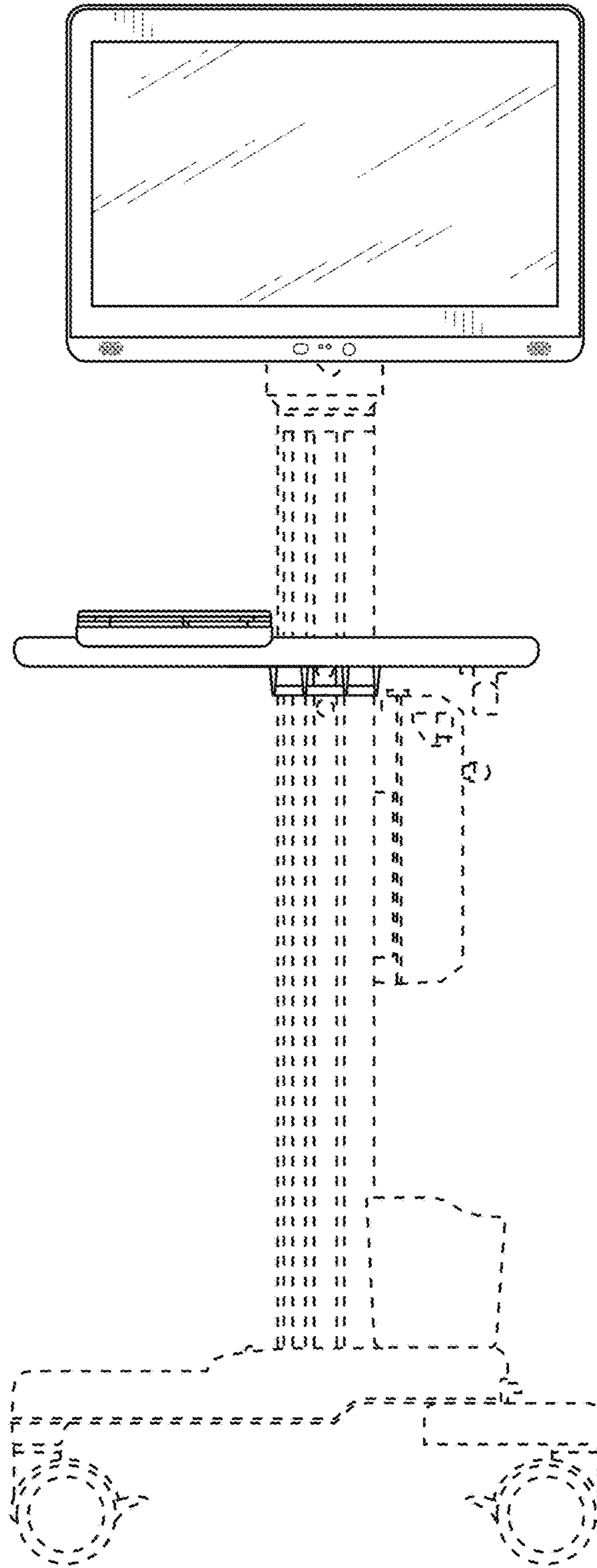


**FIG. 2**

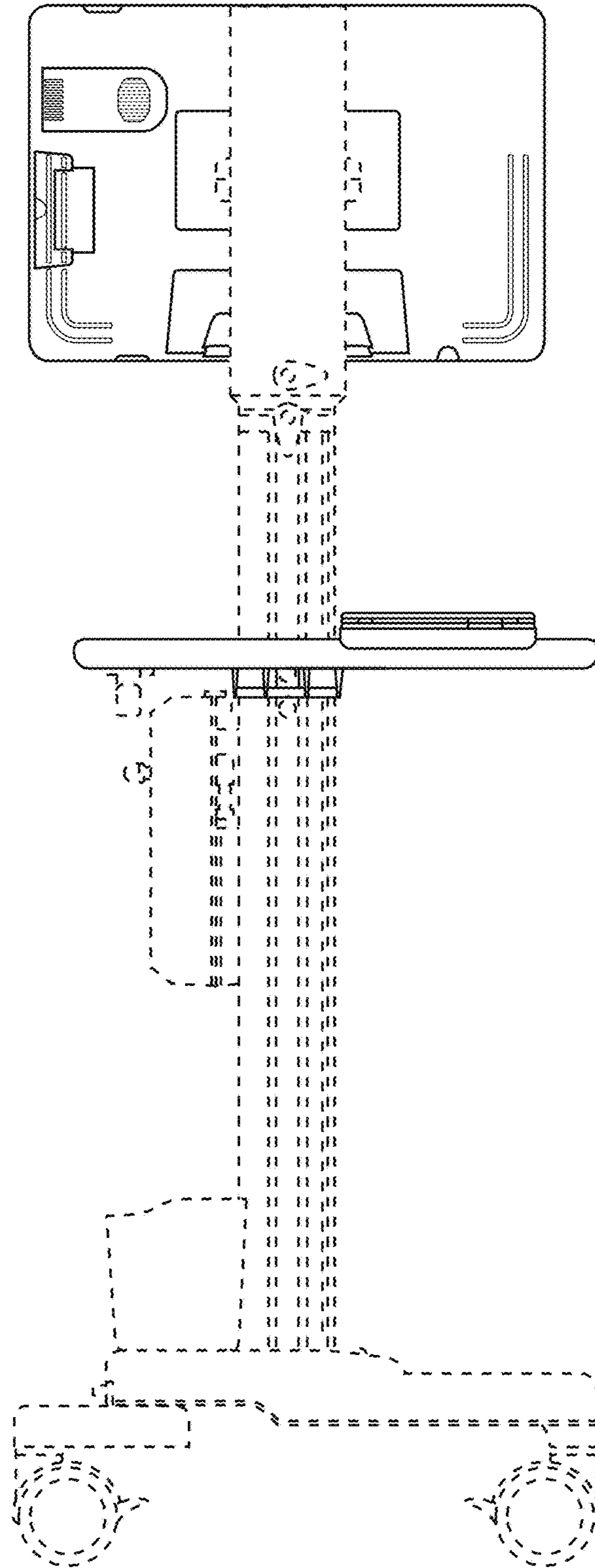


**FIG. 3**

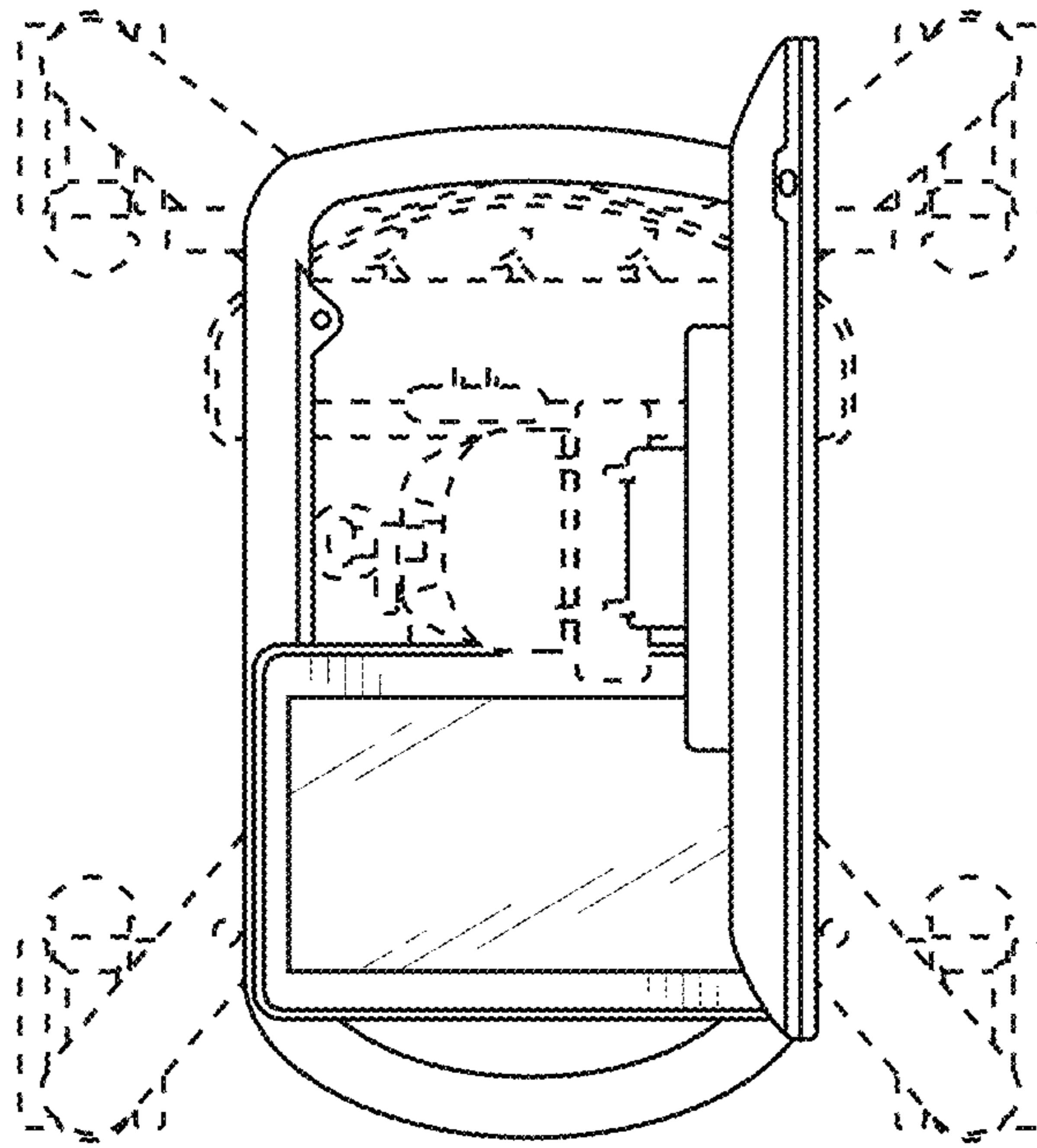




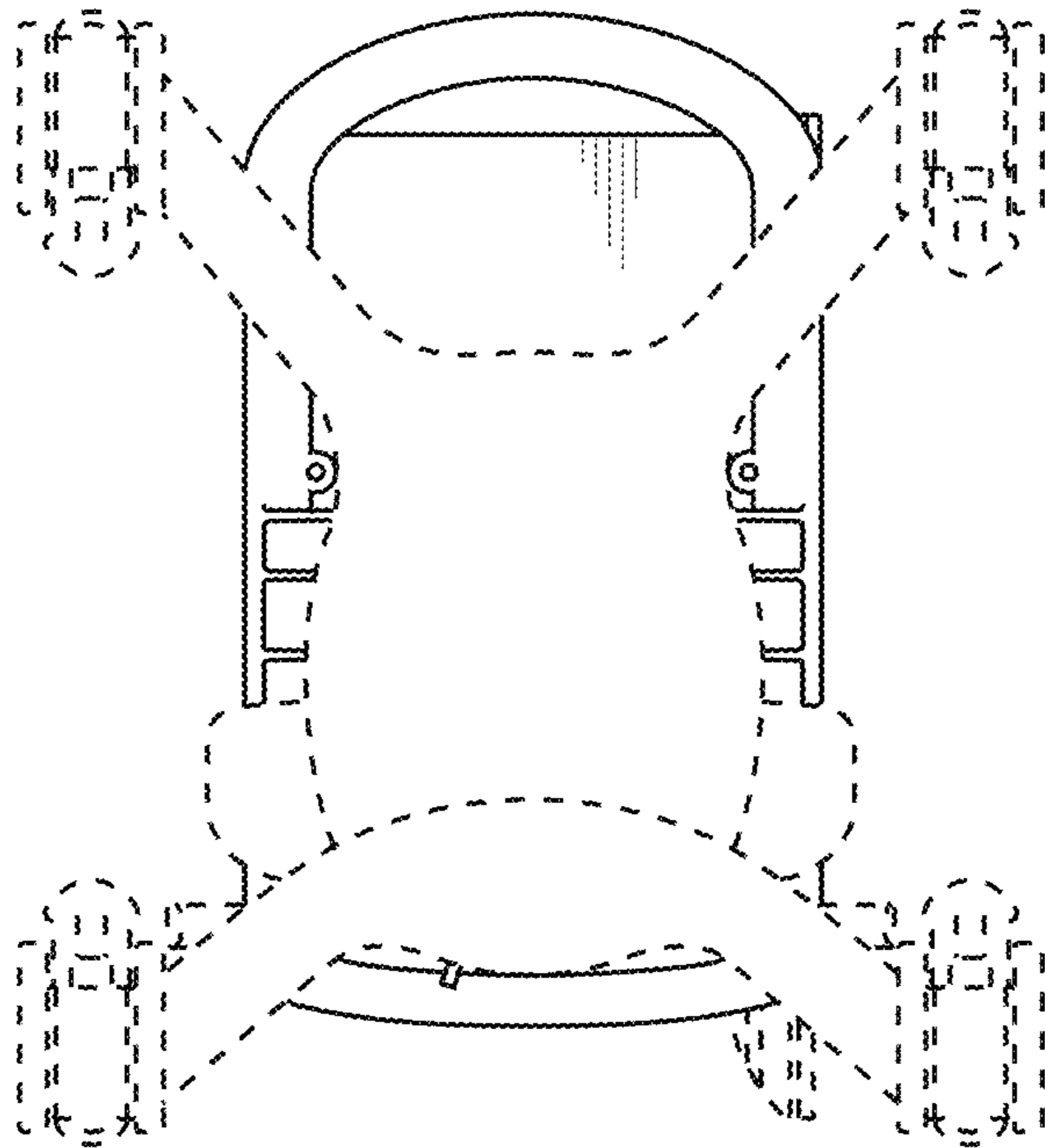
**FIG. 4**



**FIG. 5**

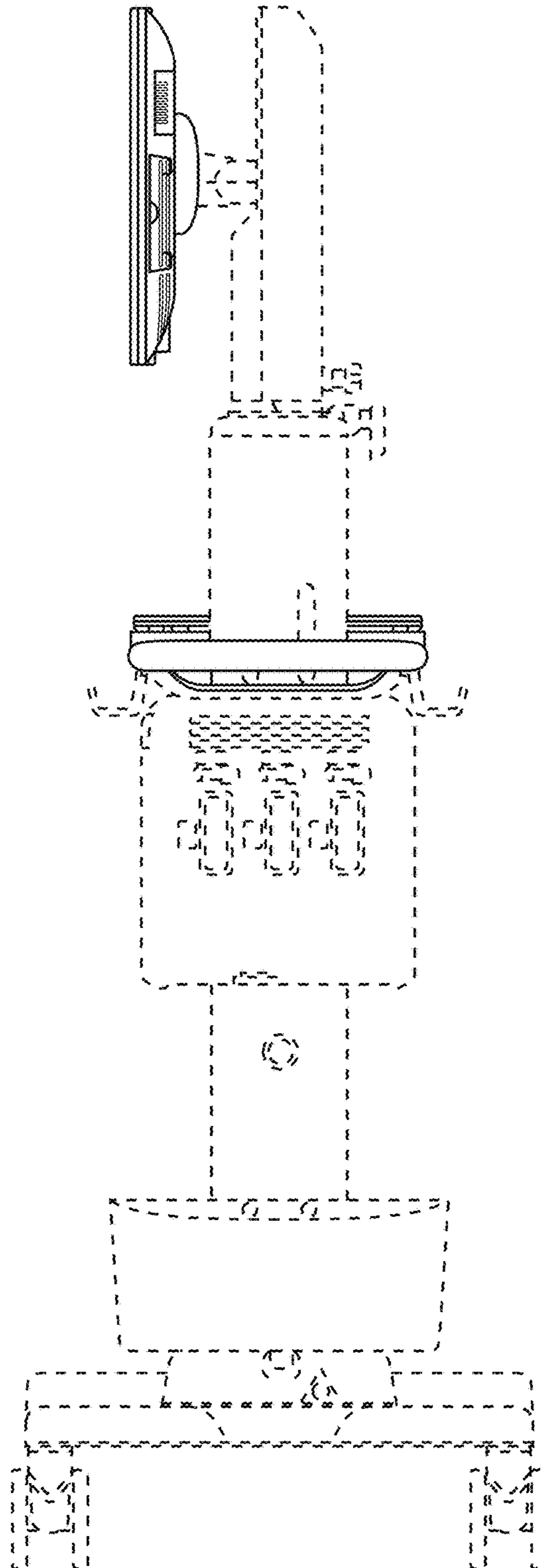


**FIG. 6**

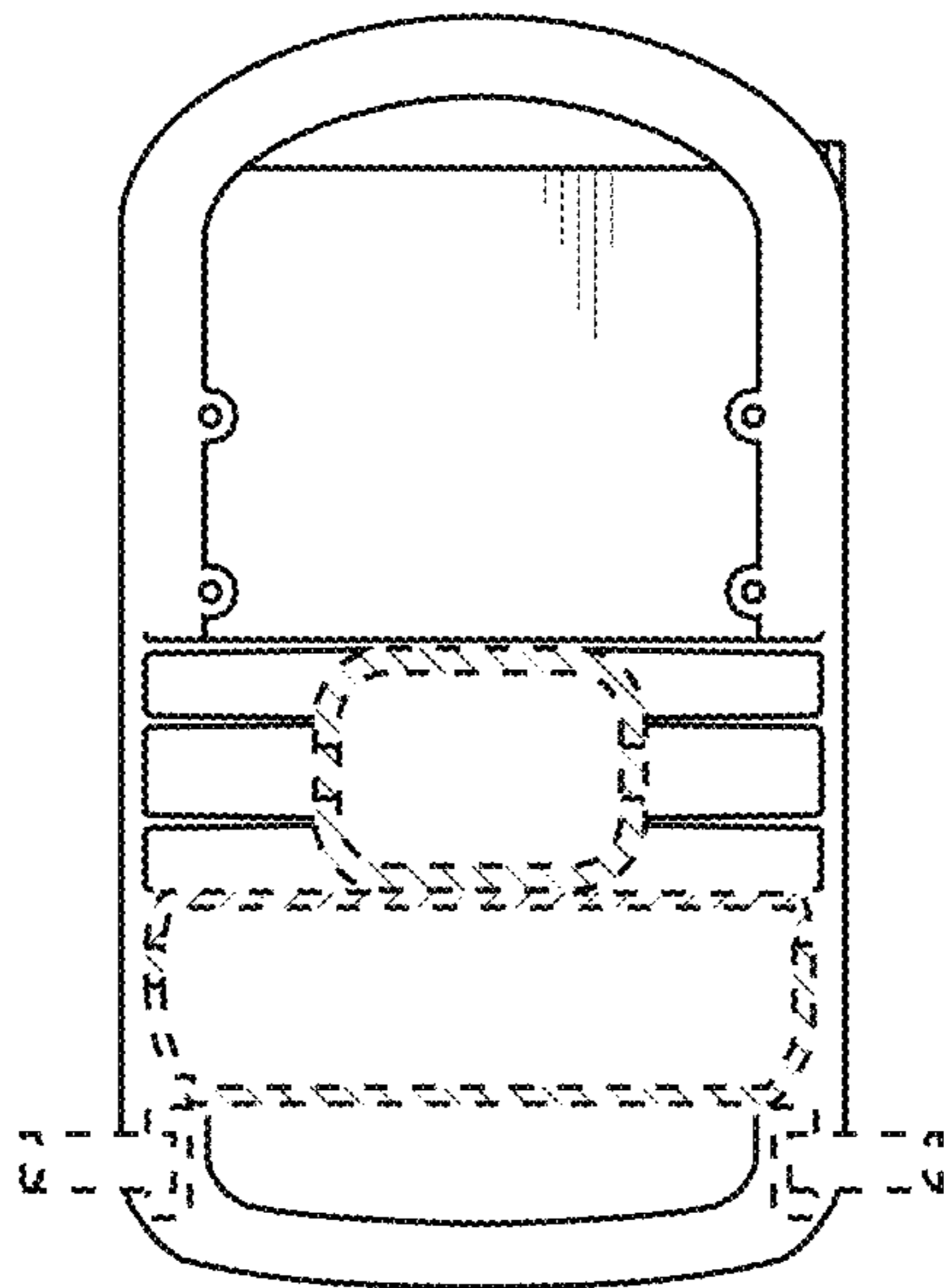


**FIG. 7**

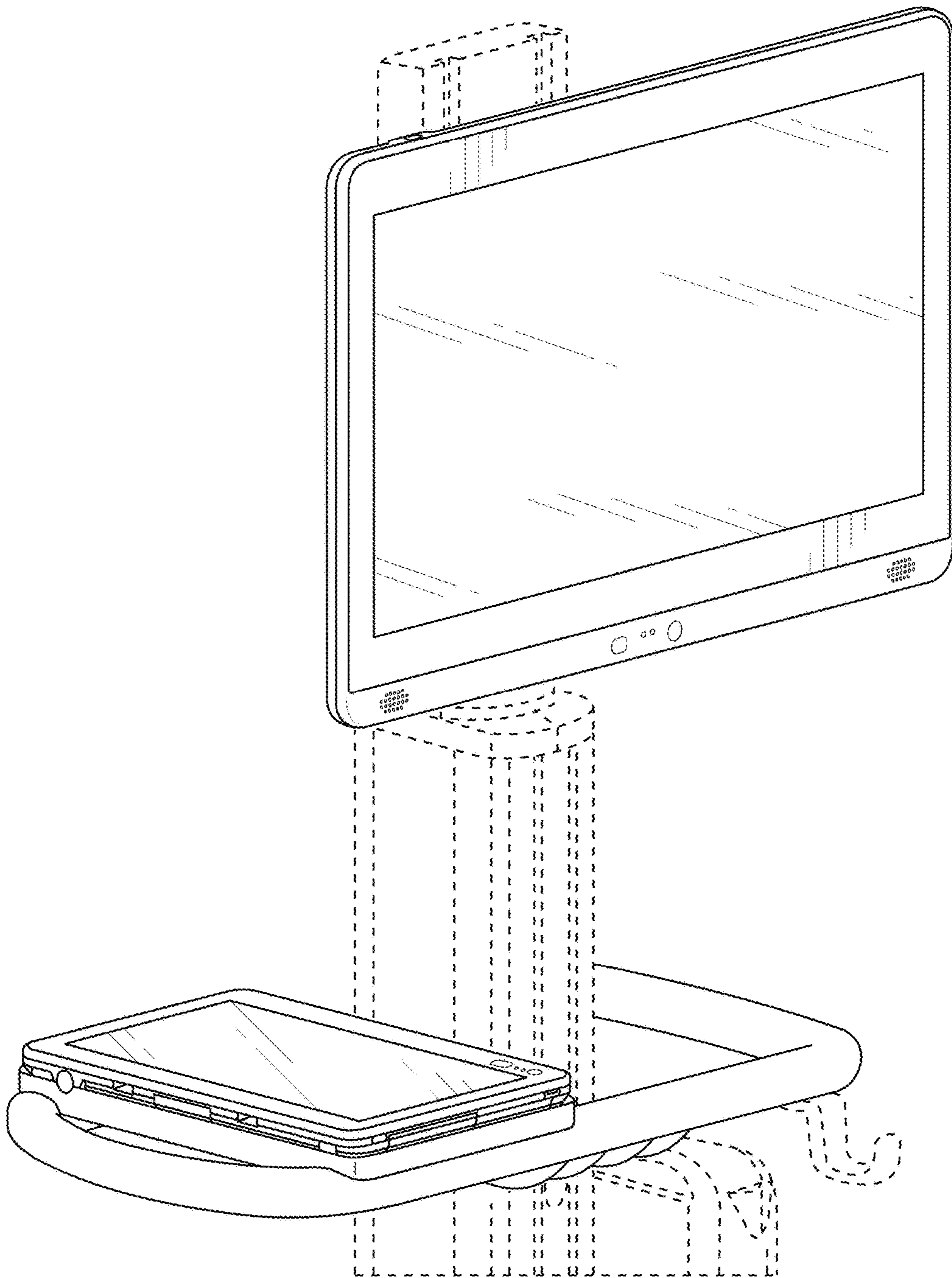




**FIG. 8**



**FIG. 9**



**FIG. 10**