



US00D804031S

(12) **United States Design Patent**
Hsu et al.

(10) **Patent No.:** **US D804,031 S**

(45) **Date of Patent:** **** Nov. 28, 2017**

(54) **IMAGING SCANNER**

(71) Applicant: **DELTA ELECTRONICS, INC.**,
Taoyuan (TW)

(72) Inventors: **Chih-Yuan Hsu**, Taoyuan (TW); **Yi-Da Tsai**, Taoyuan (TW); **Chun-Ywan Chang**, Taoyuan (TW)

(73) Assignee: **DELTA ELECTRONICS, INC.**,
Taoyuan (TW)

(**) Term: **15 Years**

(21) Appl. No.: **29/583,316**

(22) Filed: **Nov. 4, 2016**

(51) **LOC (10) Cl.** **24-01**

(52) **U.S. Cl.**
USPC **D24/158**

(58) **Field of Classification Search**
USPC D24/107, 158-161, 185, 186, 187, 231
CPC .. A61B 6/03; A61B 6/035; A61B 5/05; A61B
5/055

See application file for complete search history.

(56) **References Cited**

U.S. PATENT DOCUMENTS

7,155,274 B1 * 12/2006 Wake A61B 5/0062
378/4
D557,418 S * 12/2007 Onuma D24/158

D681,815 S * 5/2013 Ninomiya D24/158
D700,339 S * 2/2014 Tan D24/158
D726,917 S * 4/2015 Kim D24/158
2014/0064440 A1 * 3/2014 Hara A61B 6/032
378/4
2014/0126689 A1 * 5/2014 Hara A61B 6/035
378/19

* cited by examiner

Primary Examiner — Anhdao Doan

(74) *Attorney, Agent, or Firm* — CKC & Partners Co.,
Ltd.

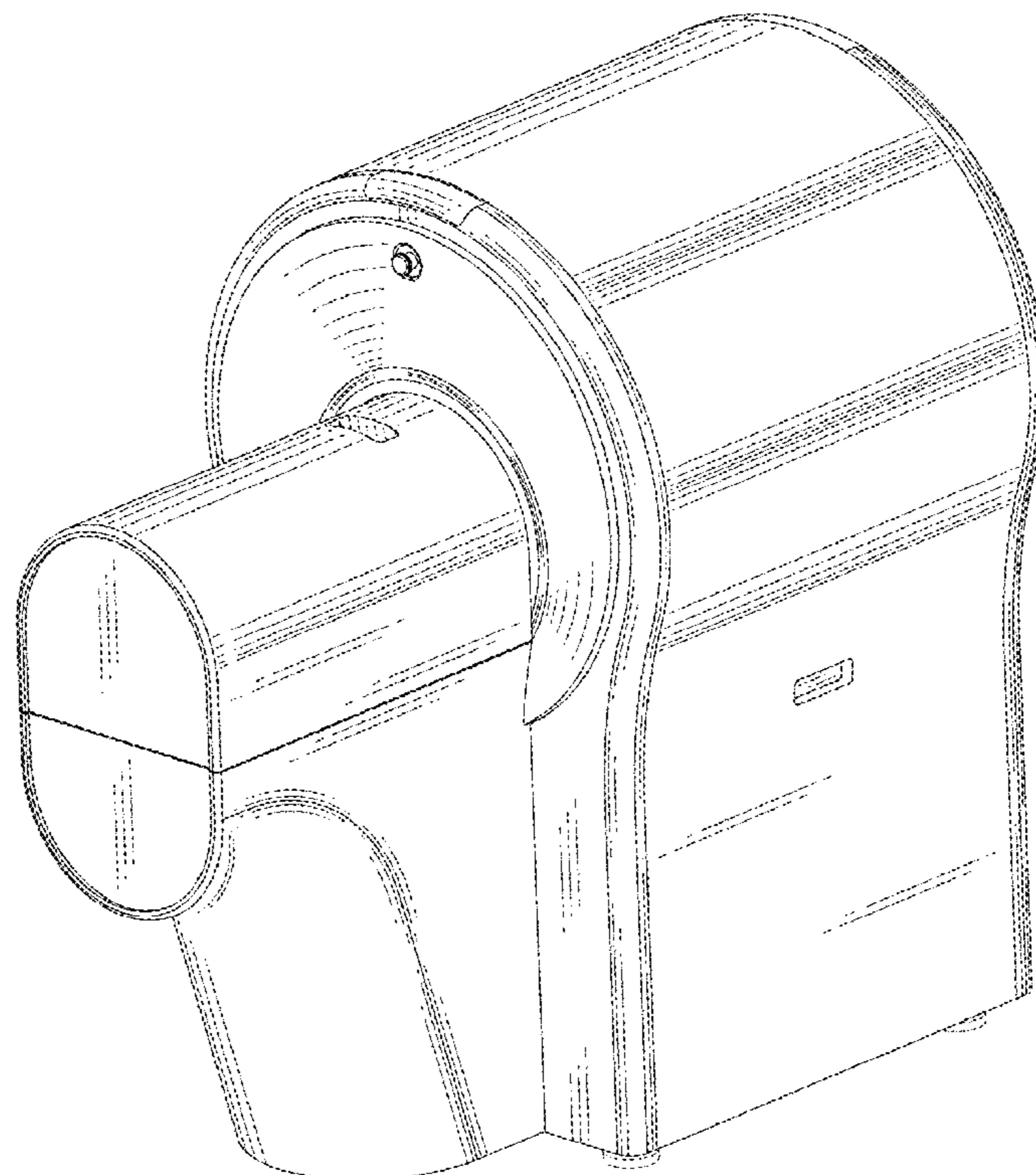
(57) **CLAIM**

The ornamental design for an imaging scanner, as shown and described.

DESCRIPTION

FIG. 1 is a perspective view of an imaging scanner showing our new design;
FIG. 2 is a front elevational view thereof;
FIG. 3 is a rear elevational view thereof;
FIG. 4 is a left side elevational view thereof;
FIG. 5 is a right side elevational view thereof;
FIG. 6 is a top plan view thereof;
FIG. 7 is a bottom plan view thereof; and,
FIG. 8 is another perspective view thereof.
The broken lines represent portions of the structure that form no part of the claim.

1 Claim, 8 Drawing Sheets



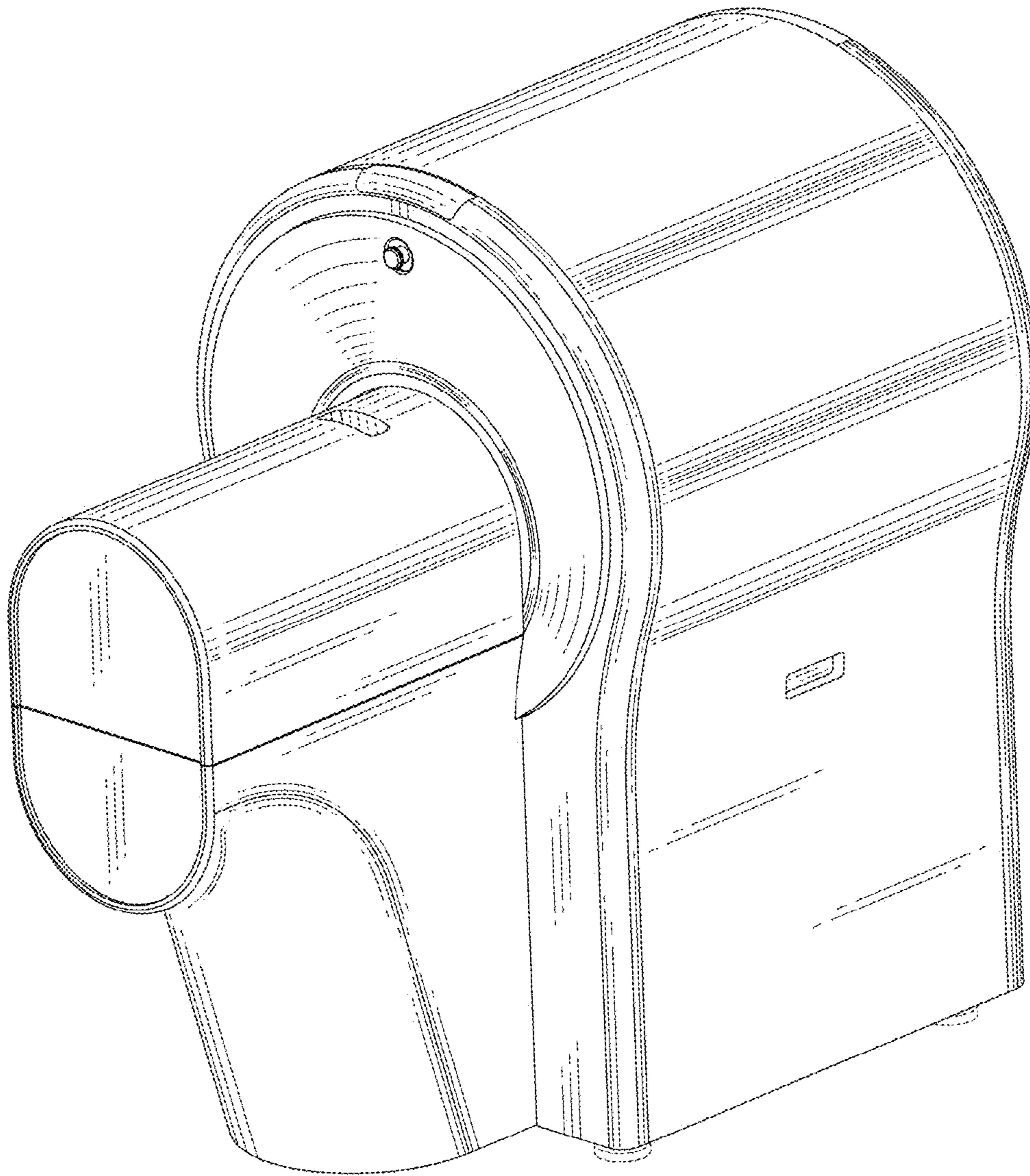


Fig. 1

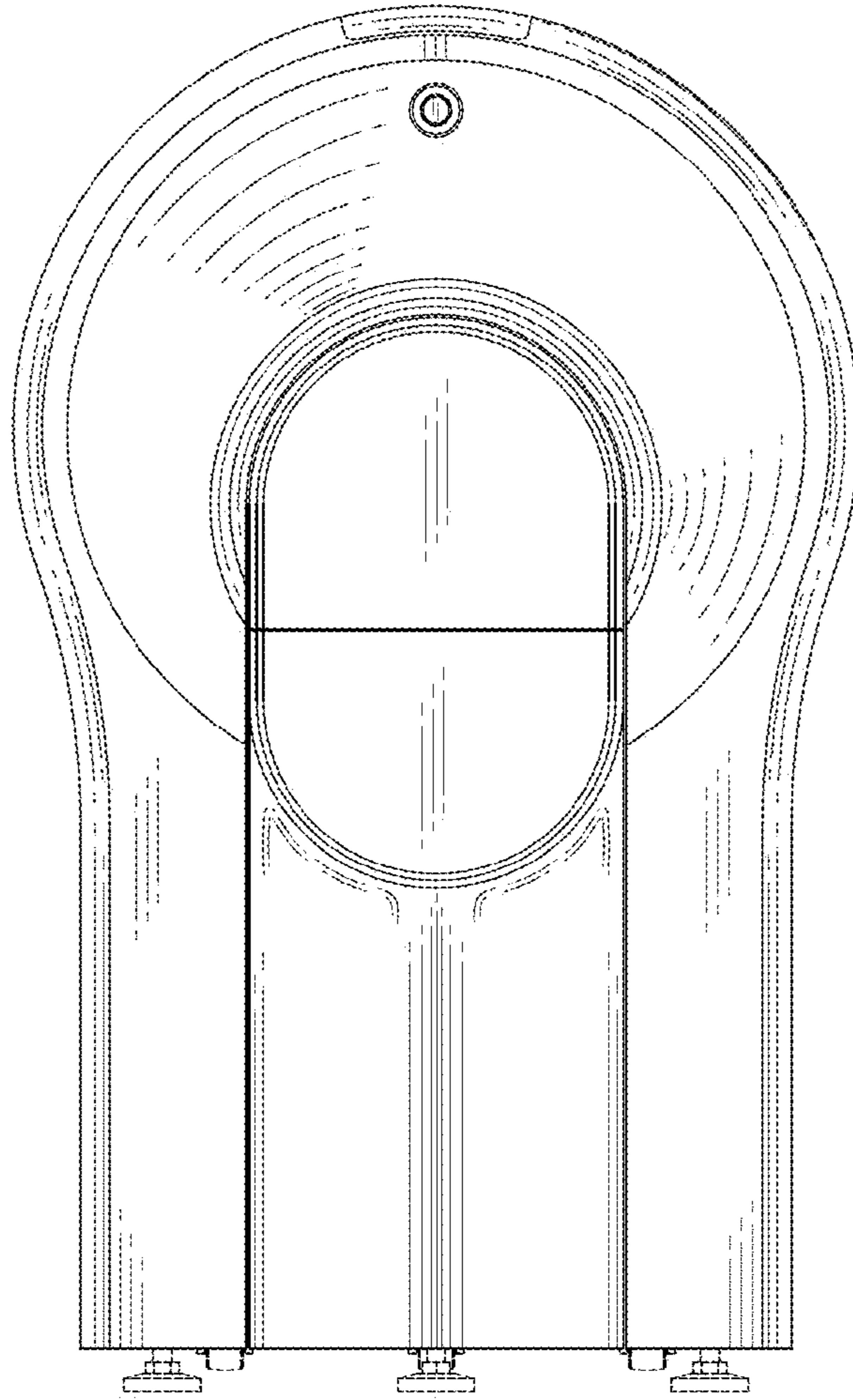


Fig. 2

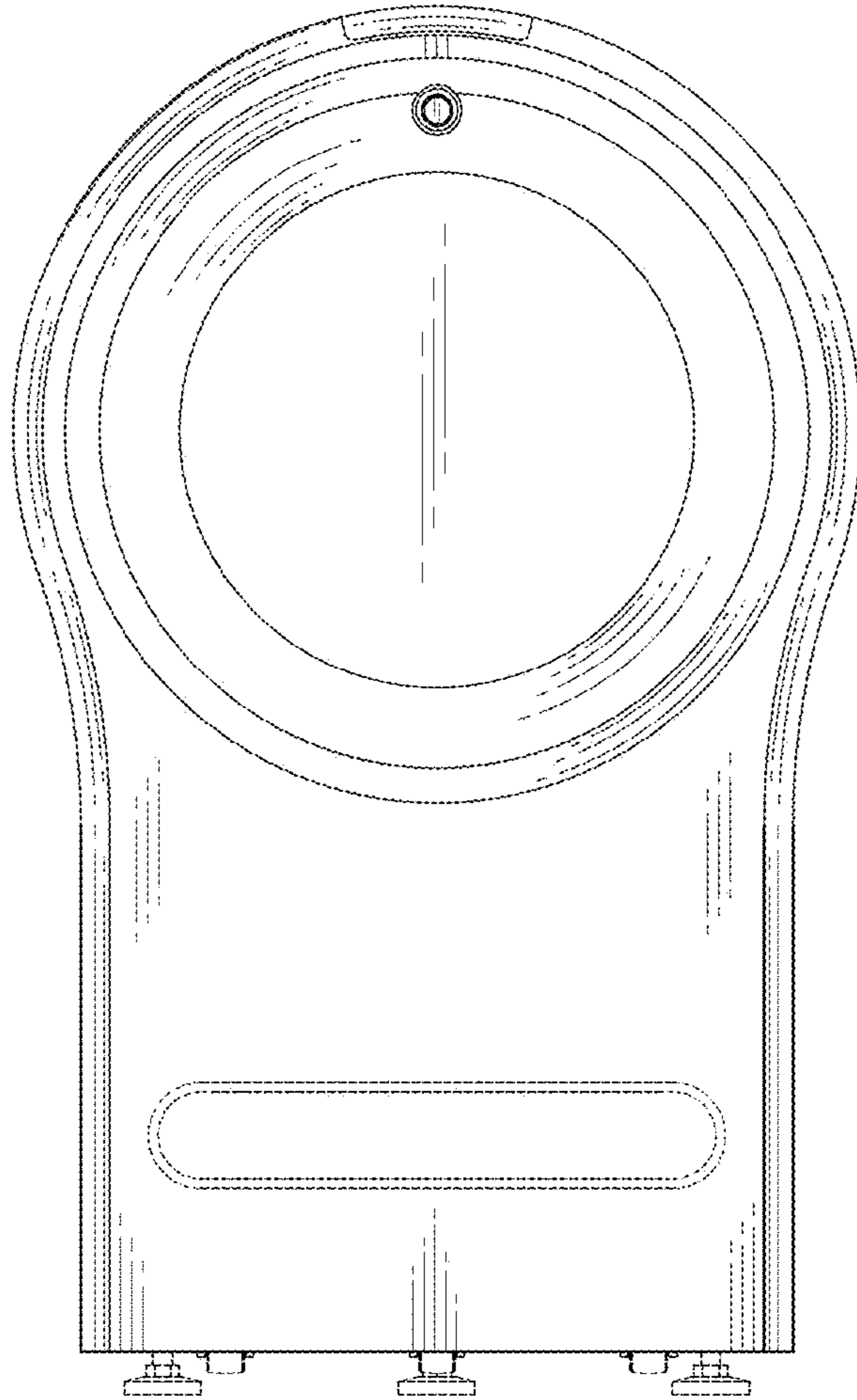


Fig. 3

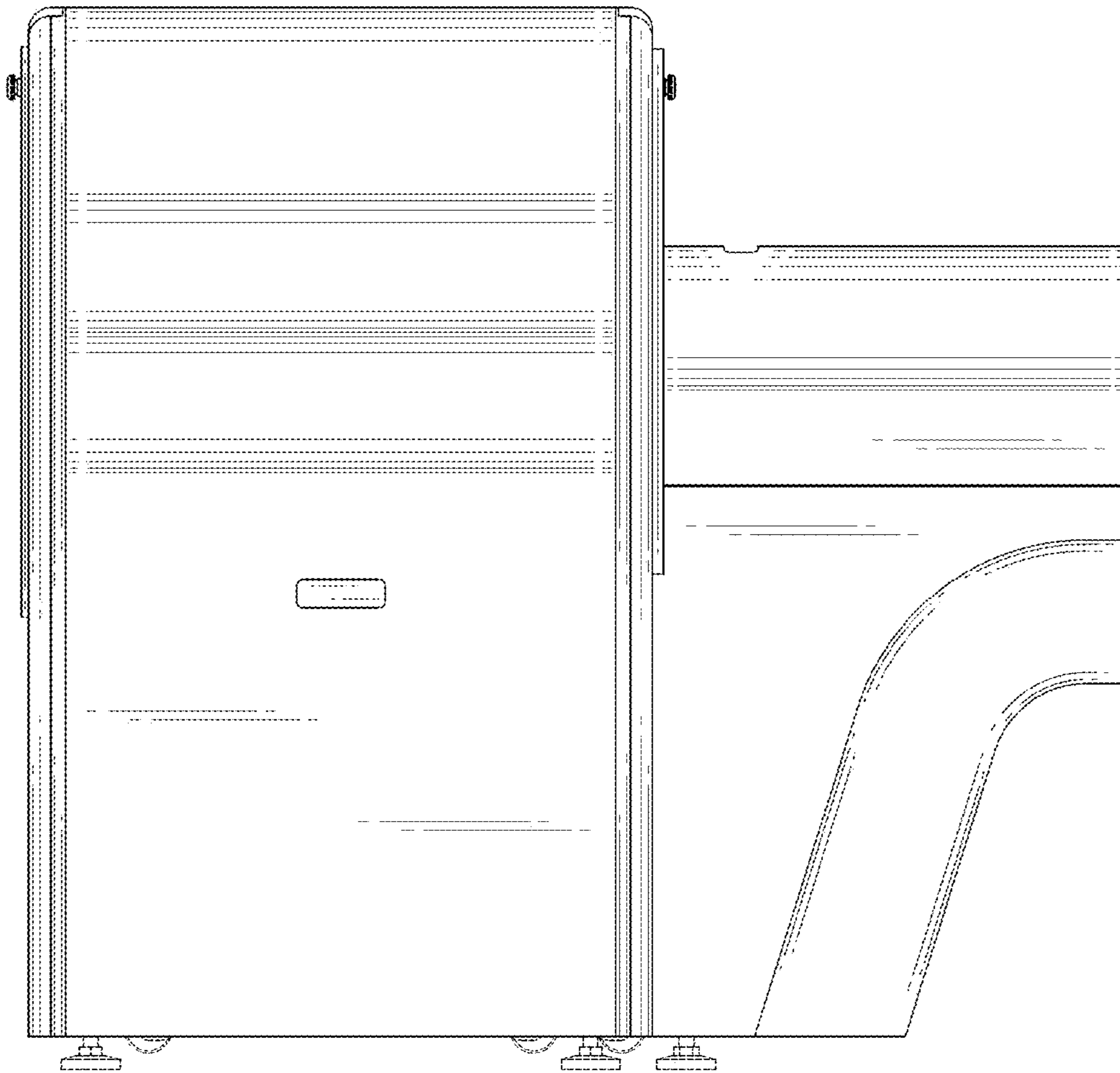


Fig. 4

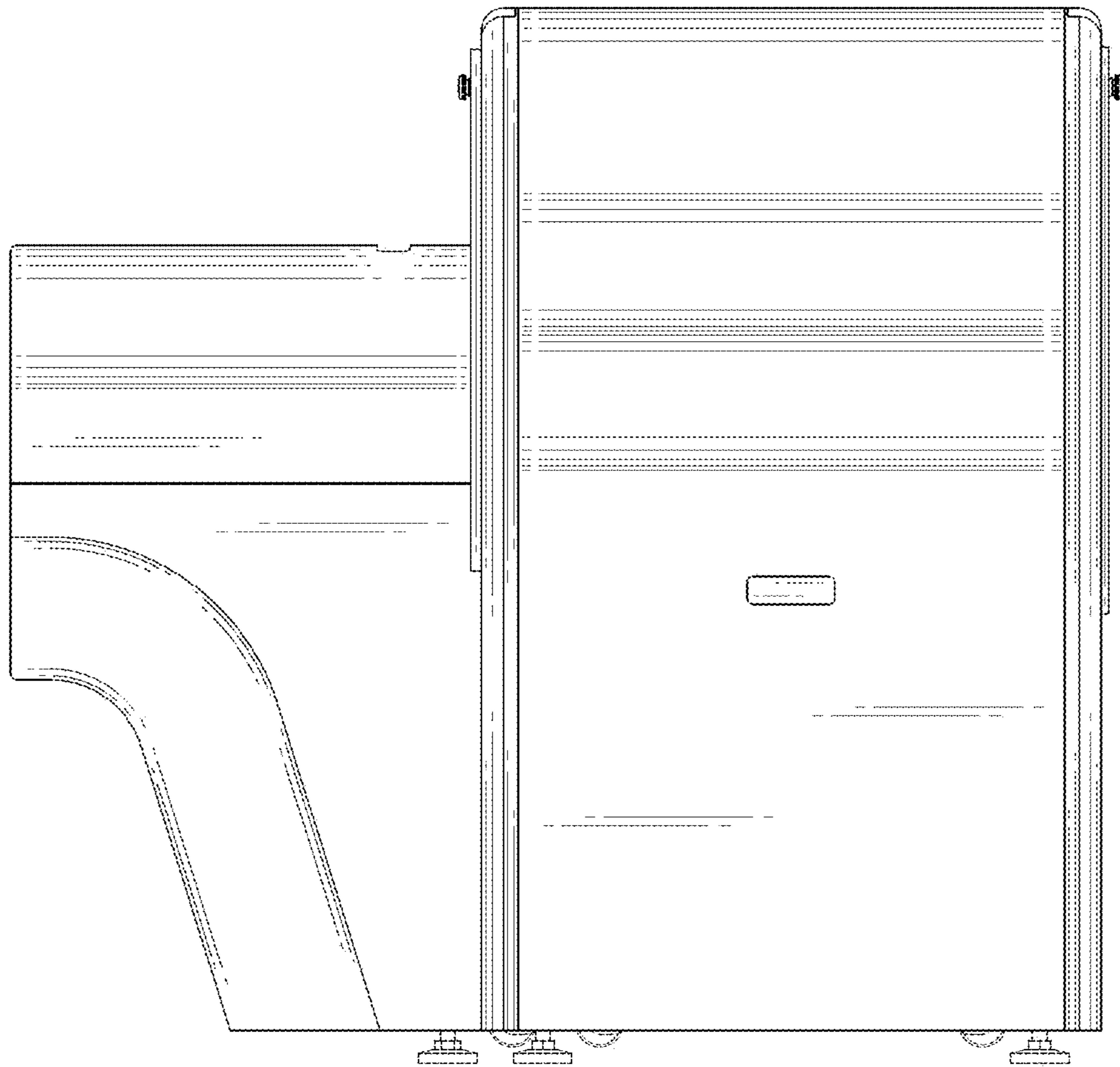


Fig. 5

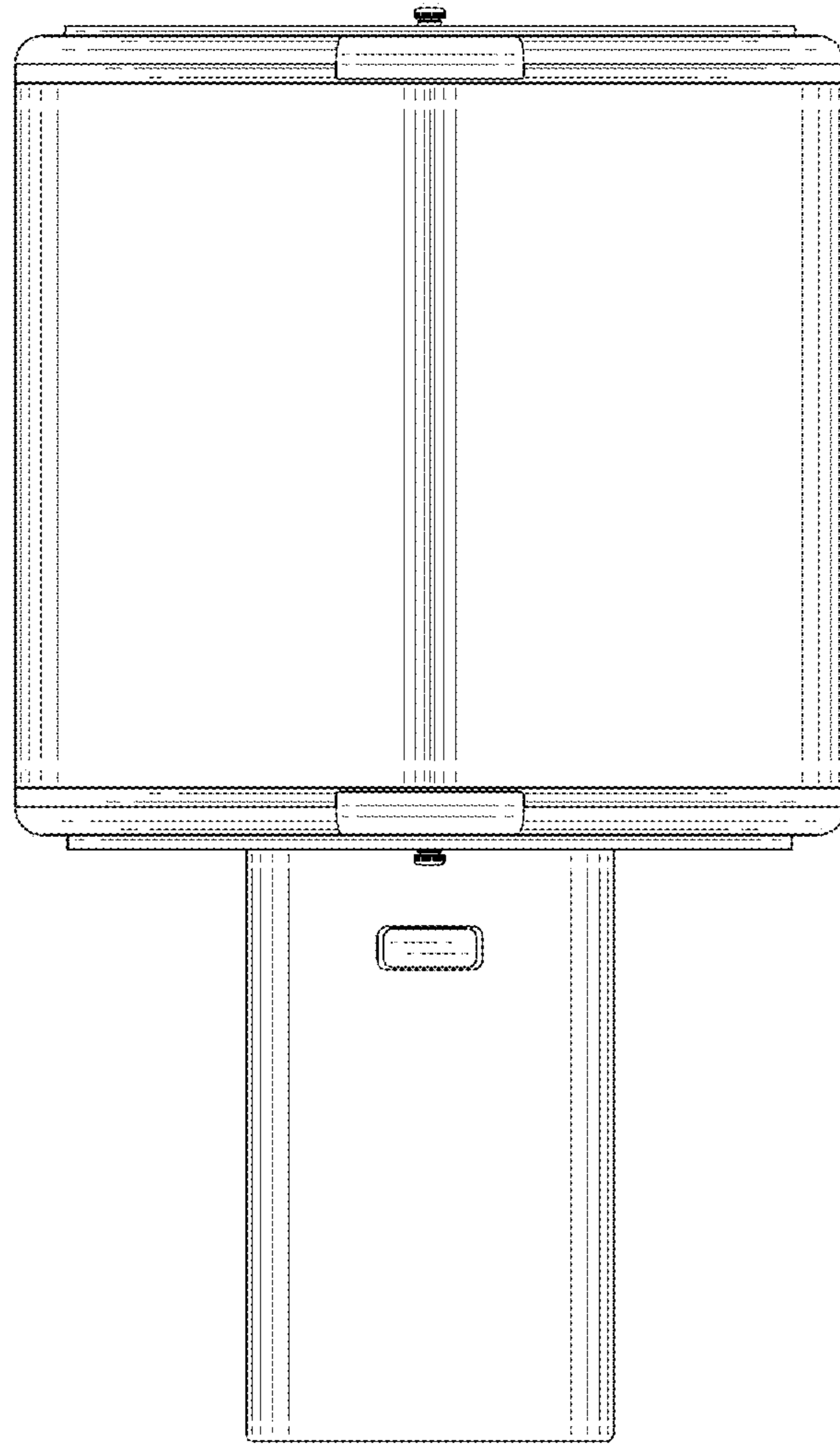


Fig. 6

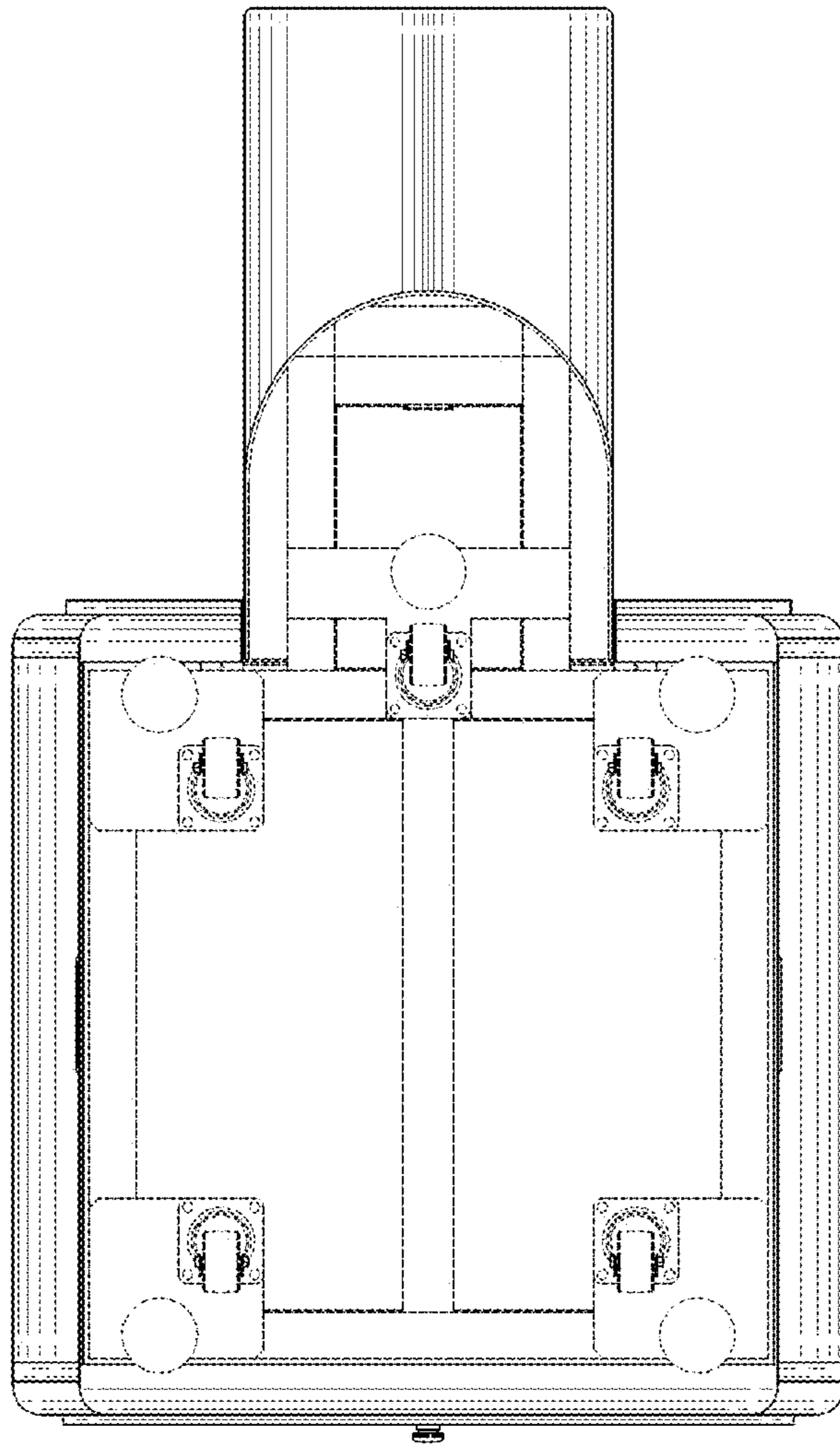


Fig. 7

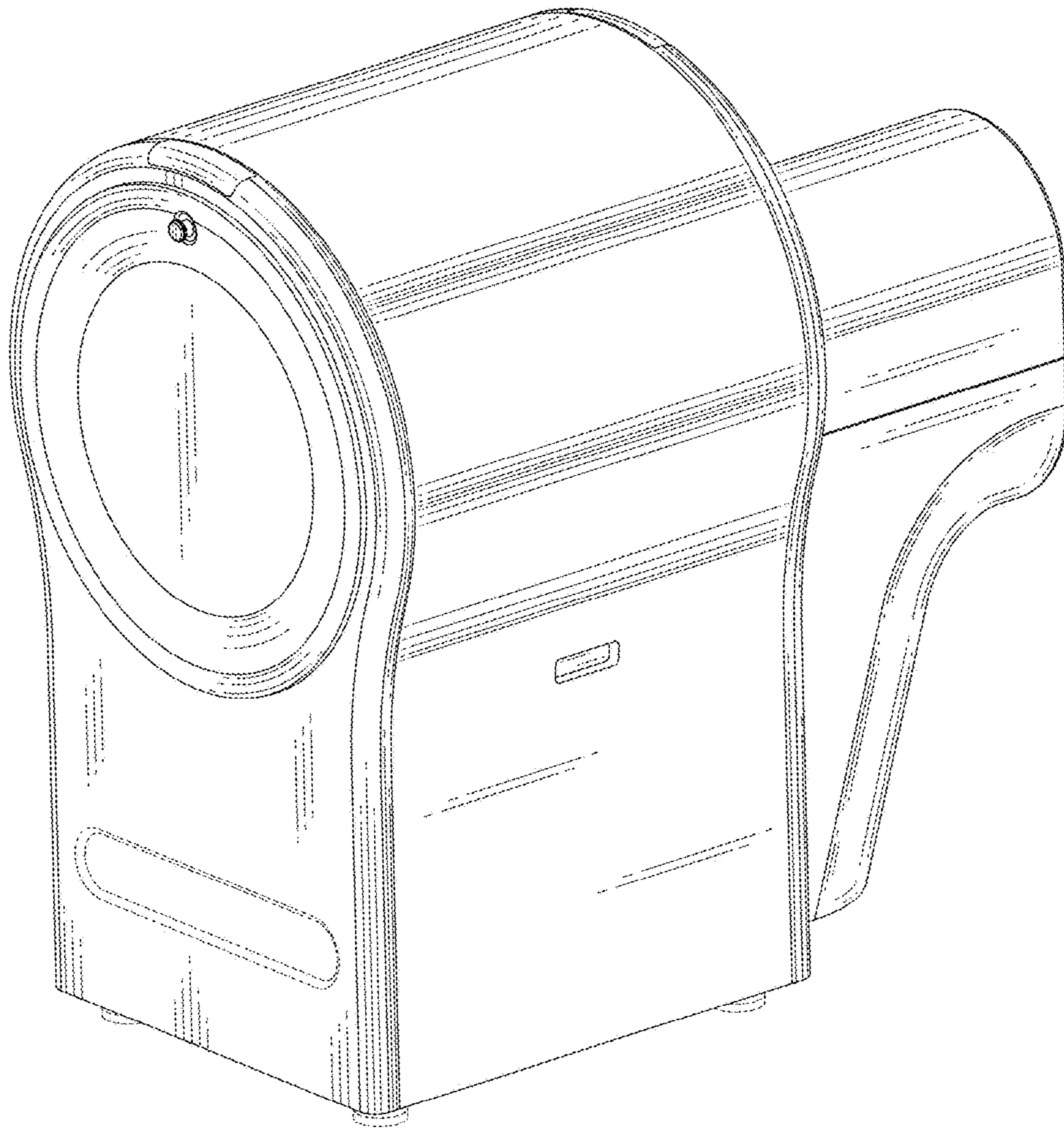


Fig. 8