



US00D804030S

(12) **United States Design Patent** (10) **Patent No.:** **US D804,030 S**
Nishimura et al. (45) **Date of Patent:** **** Nov. 28, 2017**

(54) **IMAGE DISPLAY APPARATUS FOR MEDICAL EQUIPMENT**

(71) Applicants: **Kabushiki Kaisha Toshiba**, Minato-ku, Tokyo (JP); **Toshiba Medical Systems Corporation**, Otawara-shi, Tochigi-ken (JP)

(72) Inventors: **Kana Nishimura**, Tokyo (JP); **Takashi Sasaki**, Yokohama (JP); **Aira Hotta**, Kawasaki (JP)

(73) Assignee: **Toshiba Medical Systems Corporation**, Otawara-shi, Tochigi-ken (JP)

(**) Term: **15 Years**

(21) Appl. No.: **29/558,050**

(22) Filed: **Mar. 15, 2016**

(30) **Foreign Application Priority Data**

Nov. 17, 2015 (JP) 2015-025758

(51) **LOC (10) Cl.** **24-01**

(52) **U.S. Cl.**
USPC **D24/158**

(58) **Field of Classification Search**
USPC D24/107, 158-161, 185, 186, 187, 231;
D16/221, 225, 229, 235
CPC A61B 5/0042; A61B 5/055; A61B 6/03;
A61B 6/035; G01R 33/283; G01R
33/4806; G01R 33/4812; G03B 21/145;
G03B 21/30; G03B 21/54; G03B 21/585
See application file for complete search history.

(56) **References Cited**

U.S. PATENT DOCUMENTS

5,221,902 A * 6/1993 Jones G01R 33/34061
324/318
D399,971 S * 10/1998 Scherer D24/130

D436,469 S * 1/2001 Idaszak D16/221
D663,428 S * 7/2012 Goransson D24/185
D683,024 S * 5/2013 Baba D24/158
D717,437 S * 11/2014 Yamada D24/158
D719,656 S * 12/2014 Yamada D24/158
D719,657 S * 12/2014 Yamada D24/158
D725,779 S * 3/2015 Braswell, Jr. D24/158
D745,165 S * 12/2015 McGinley D24/159
2006/0074295 A1 * 4/2006 Kucharczyk A61B 5/055
600/422

(Continued)

FOREIGN PATENT DOCUMENTS

JP D1171667 4/2003
JP D1401936 11/2010

Primary Examiner — Anhdao Doan

(74) Attorney, Agent, or Firm — Banner & Witcoff, Ltd.

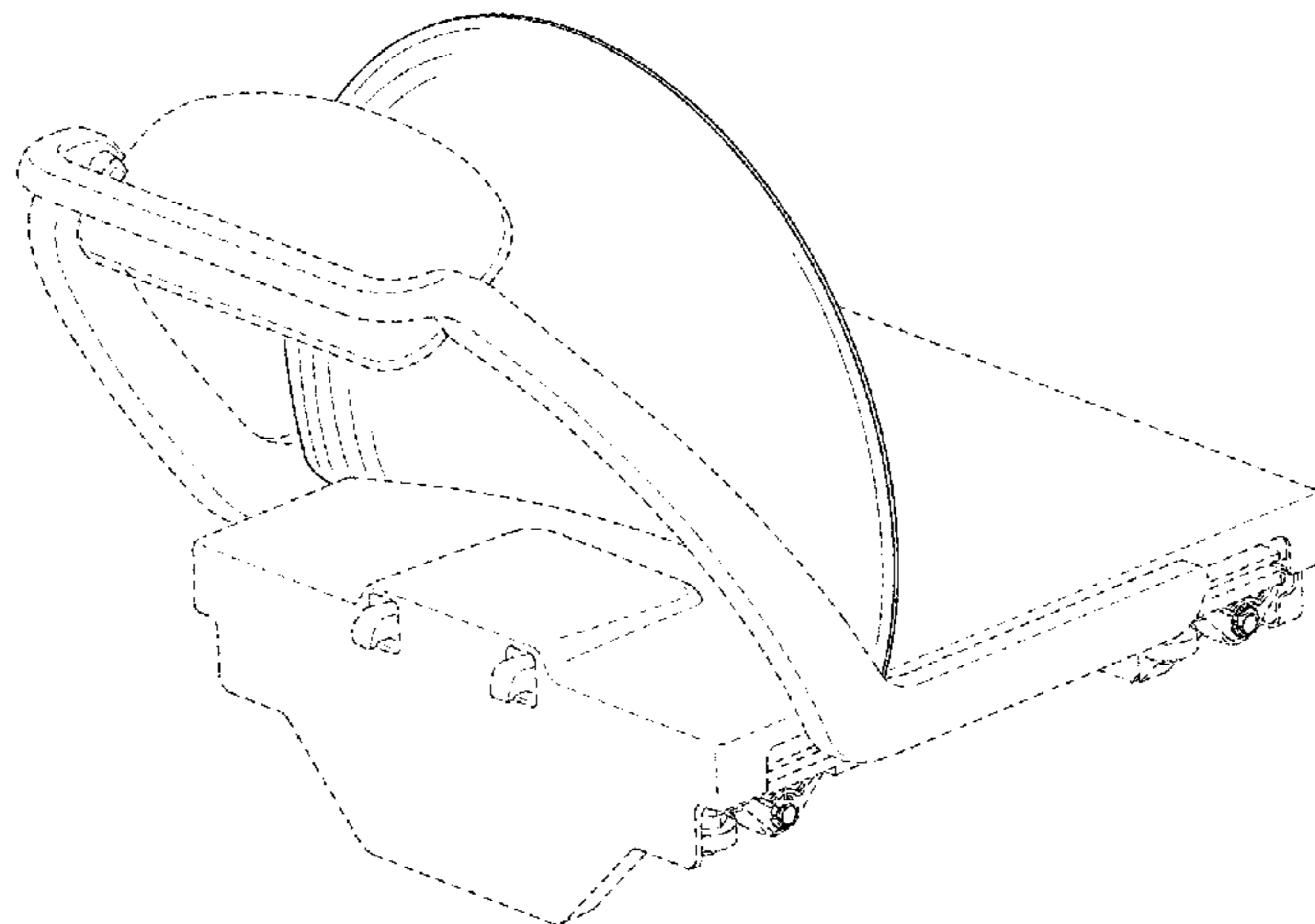
(57) **CLAIM**

The ornamental design for an image display apparatus for medical equipment, as shown and described.

DESCRIPTION

FIG. 1 is a front, top and right side perspective view of an image display apparatus for medical equipment, showing our new design;
FIG. 2 is a front view thereof;
FIG. 3 is a rear view thereof;
FIG. 4 is a right side view thereof; the left side being symmetrical;
FIG. 5 is a top view thereof;
FIG. 6 is a bottom view thereof;
FIG. 7 is an enlarged cross-sectional view thereof; taken in the direction of line 7-7 in FIG. 2; and,
FIG. 8 is a rear, top and left side perspective view.
The broken lines represent portions of the image display apparatus for medical equipment that form no part of the claimed design.

1 Claim, 8 Drawing Sheets



(56)

References Cited

U.S. PATENT DOCUMENTS

2006/0224061 A1* 10/2006 Woo A61B 5/055
600/410

* cited by examiner

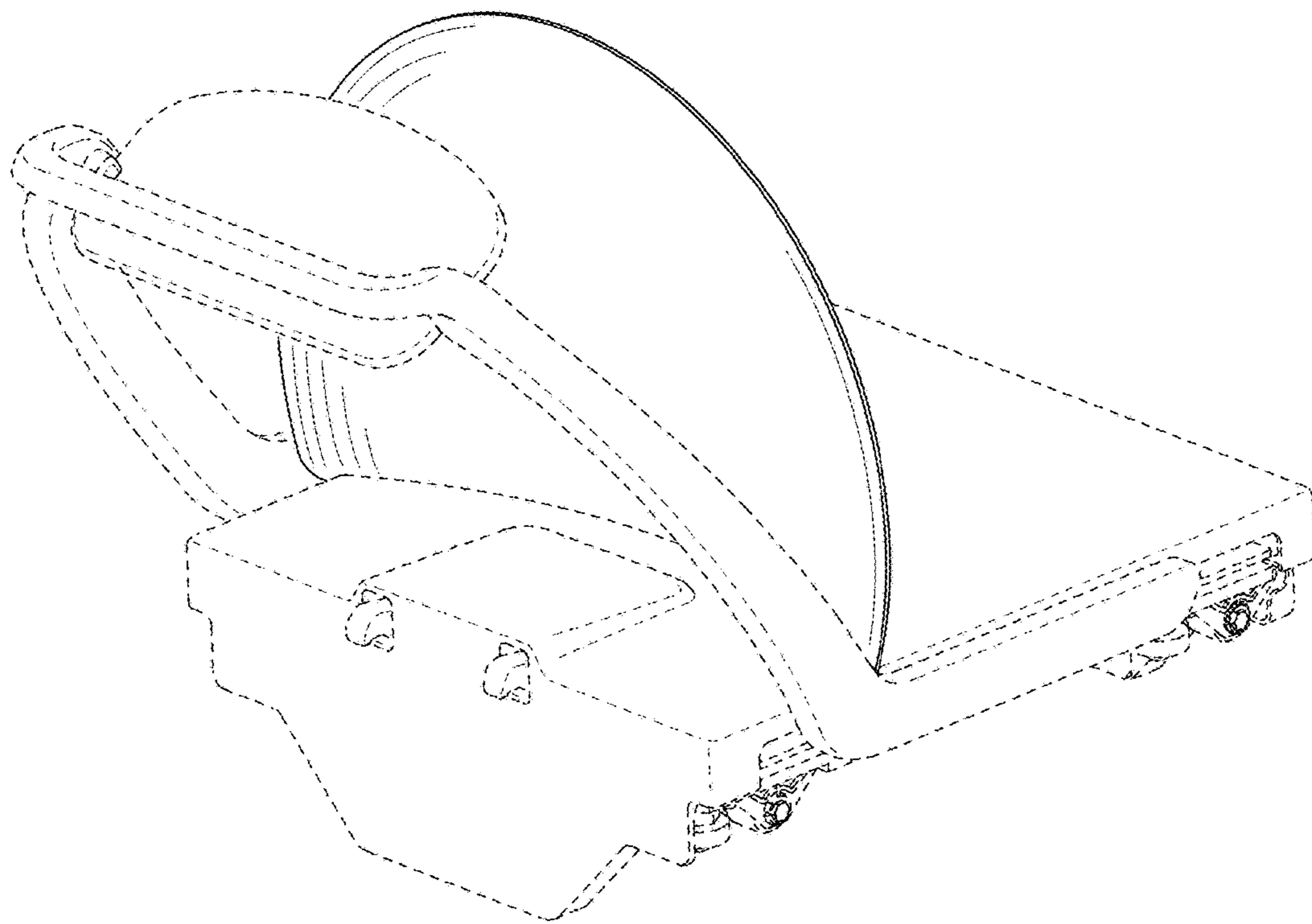


Fig. 1

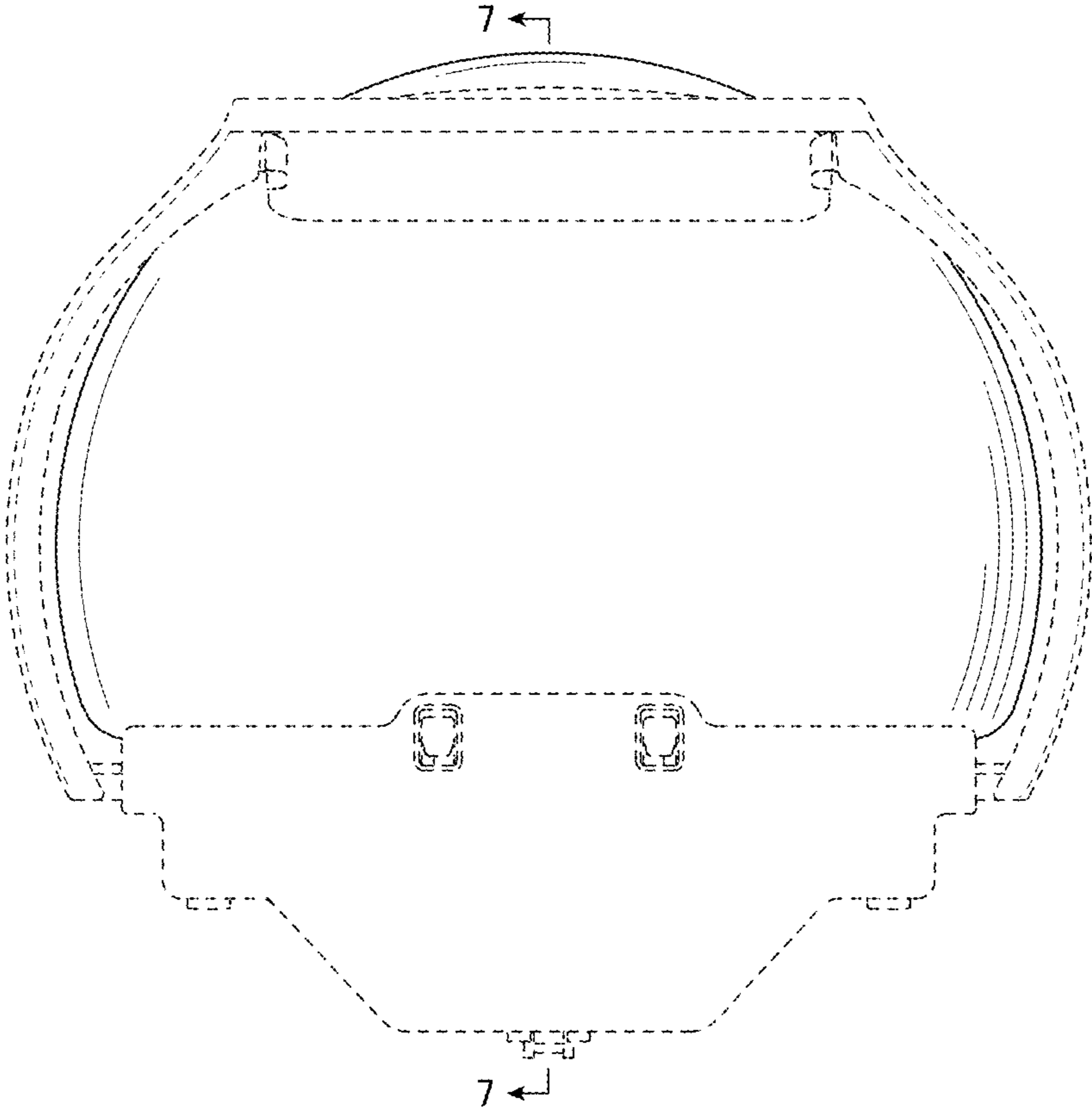


Fig.2

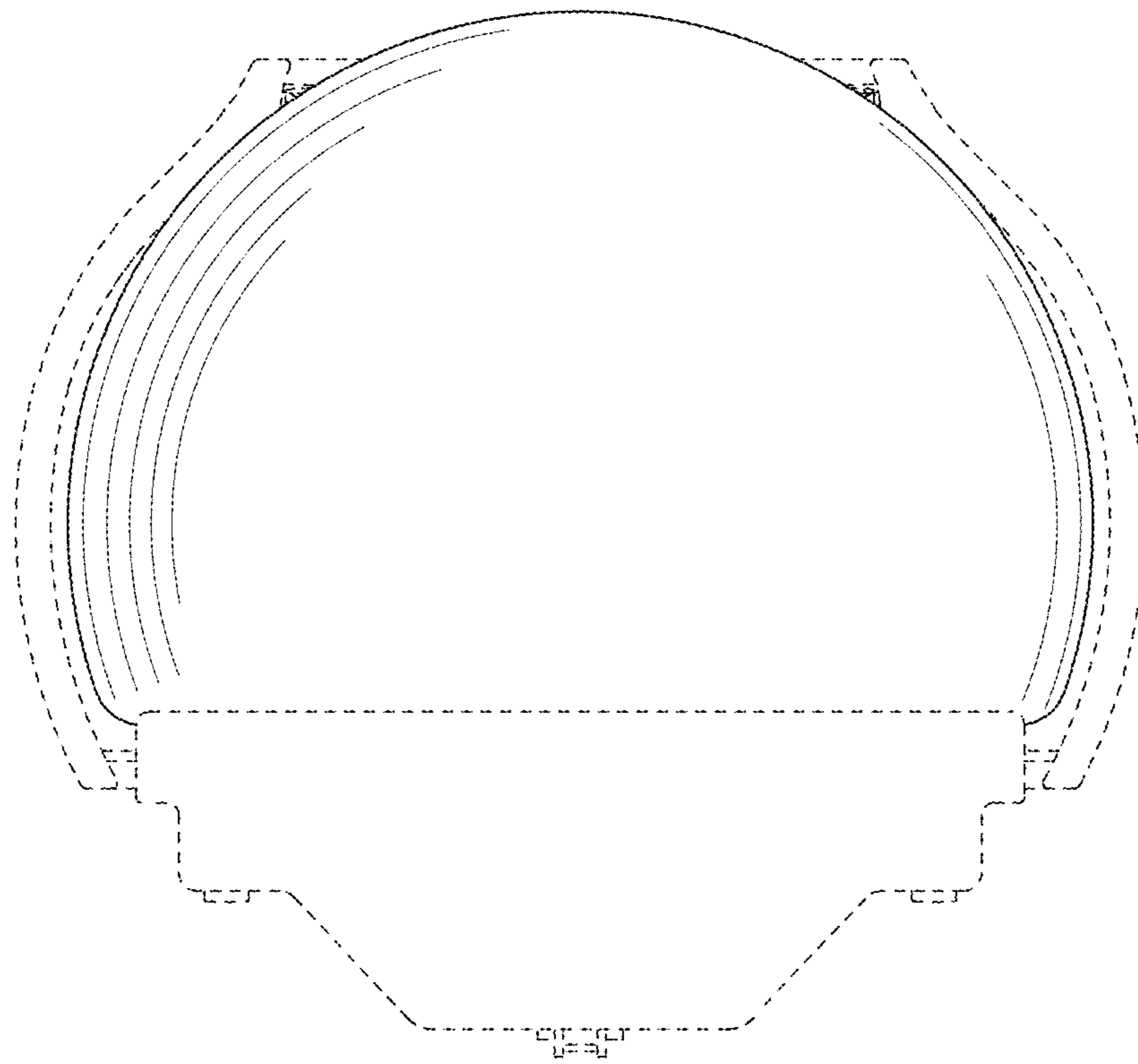


Fig.3

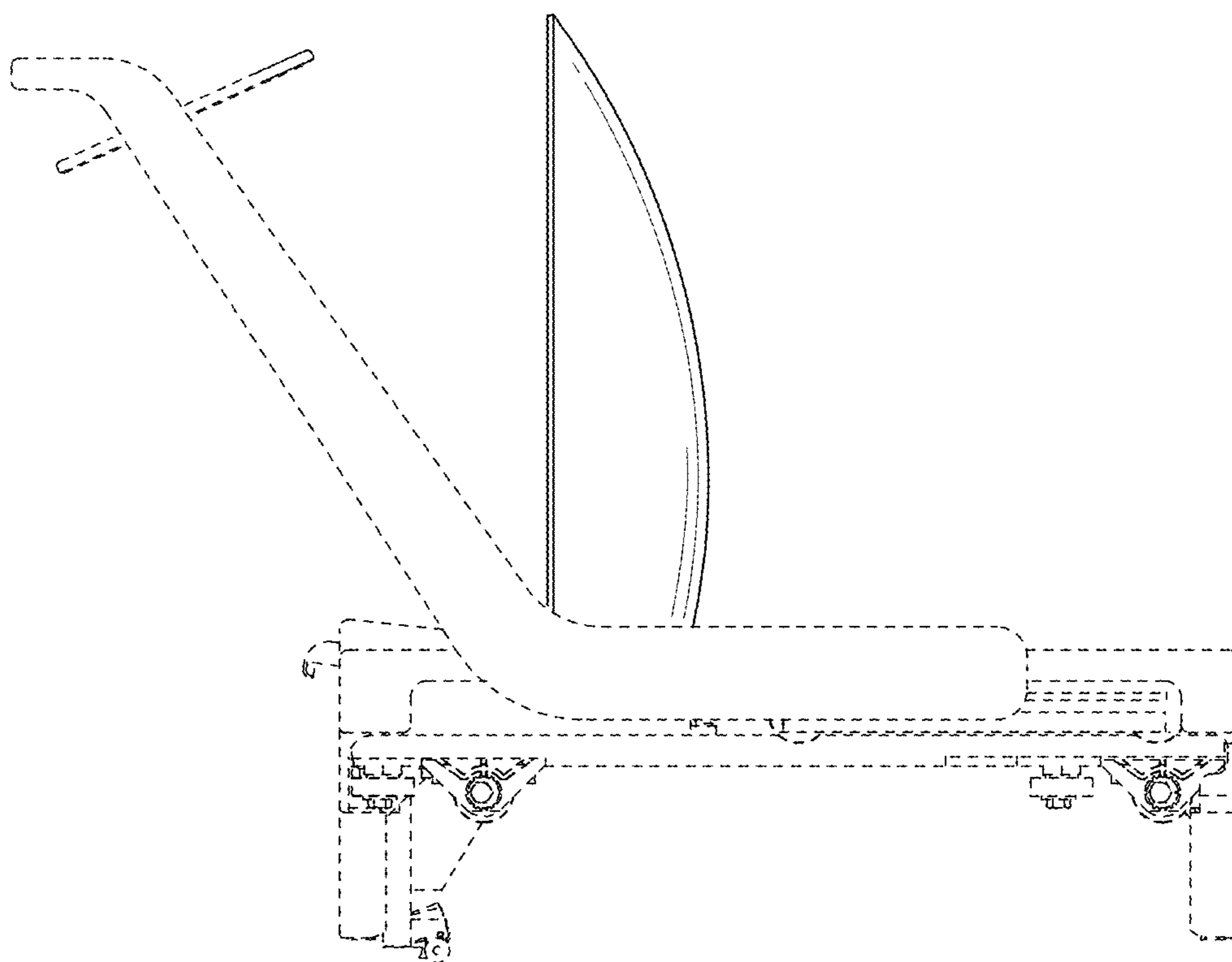


Fig.4

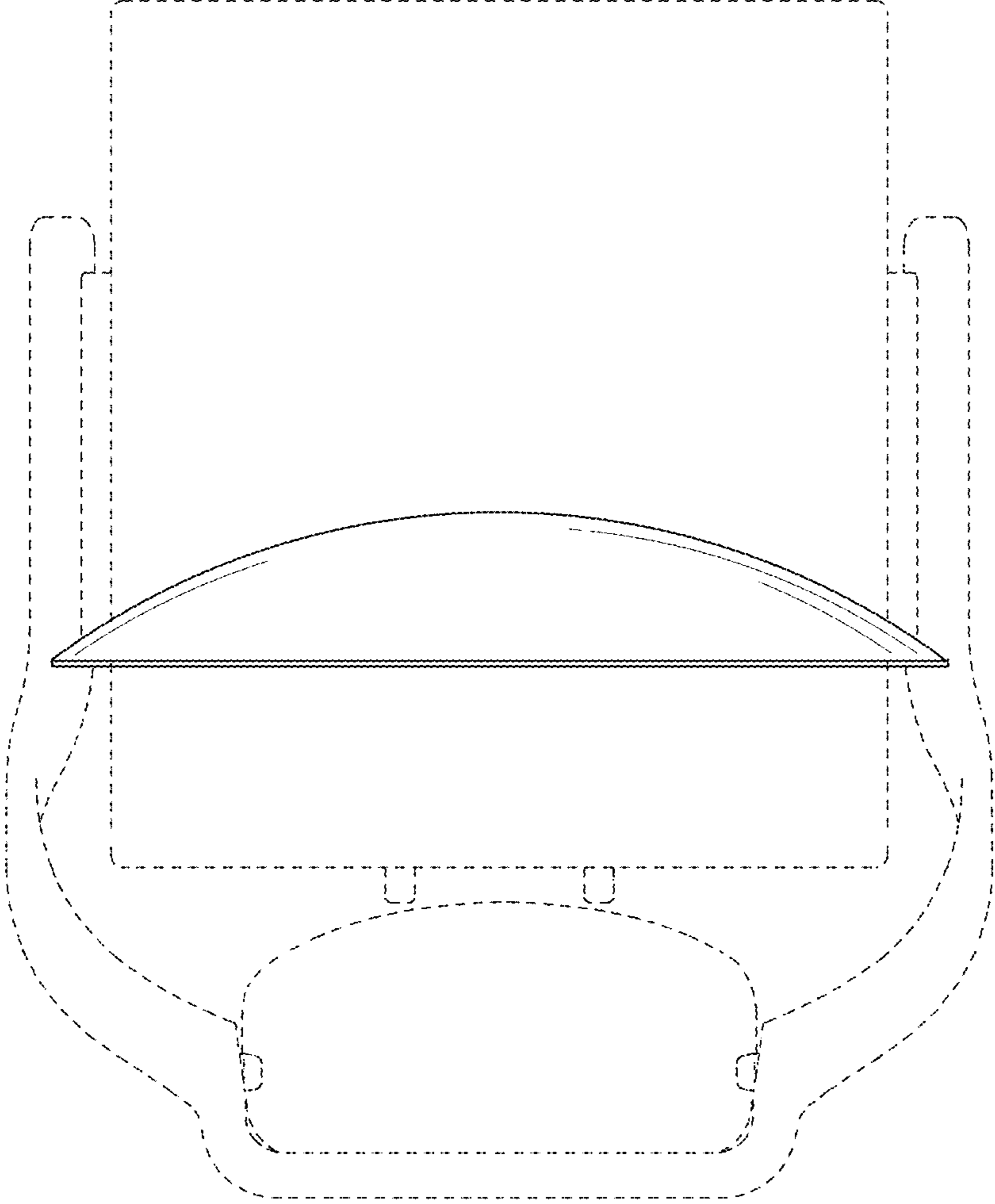


Fig.5

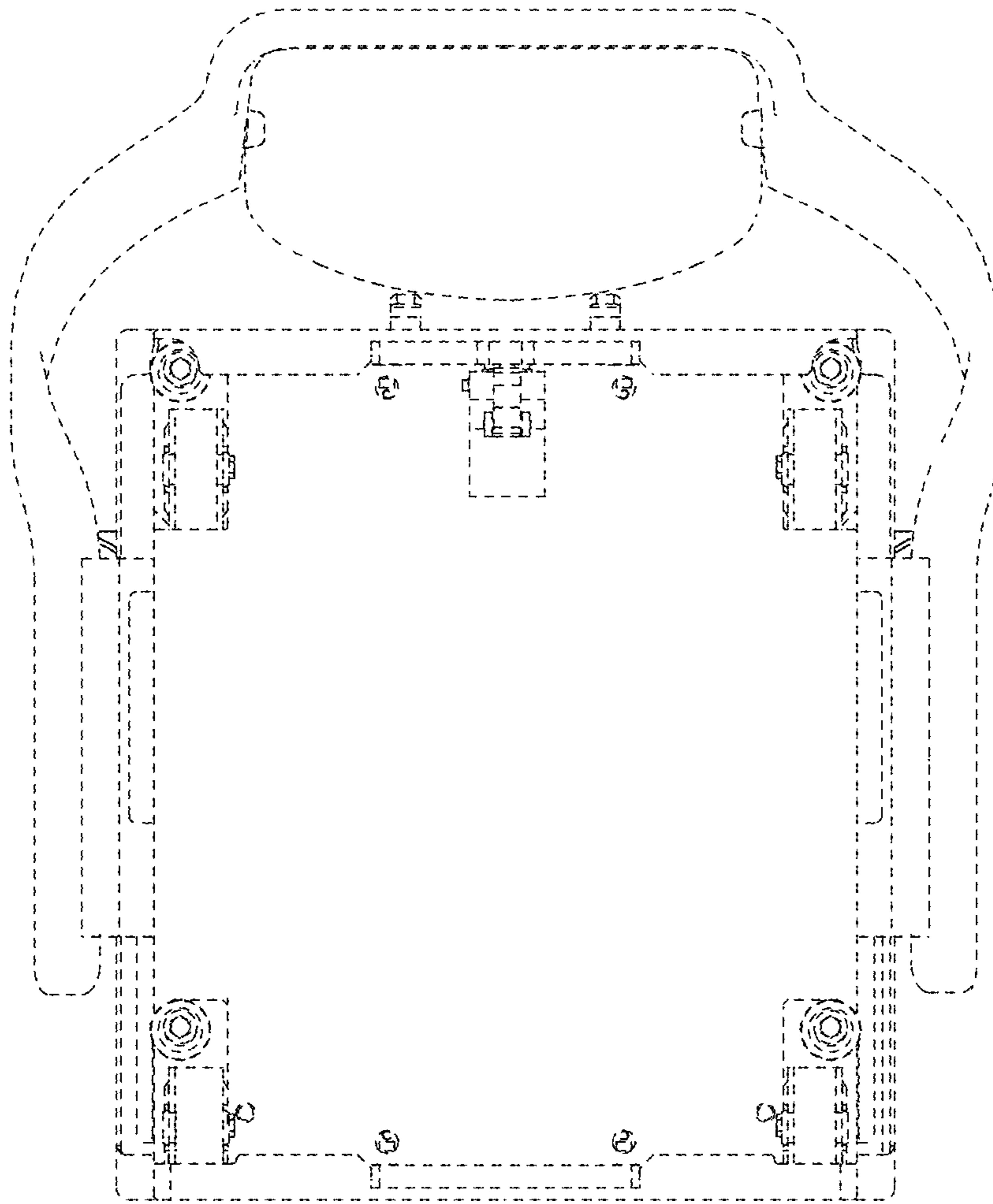


Fig.6

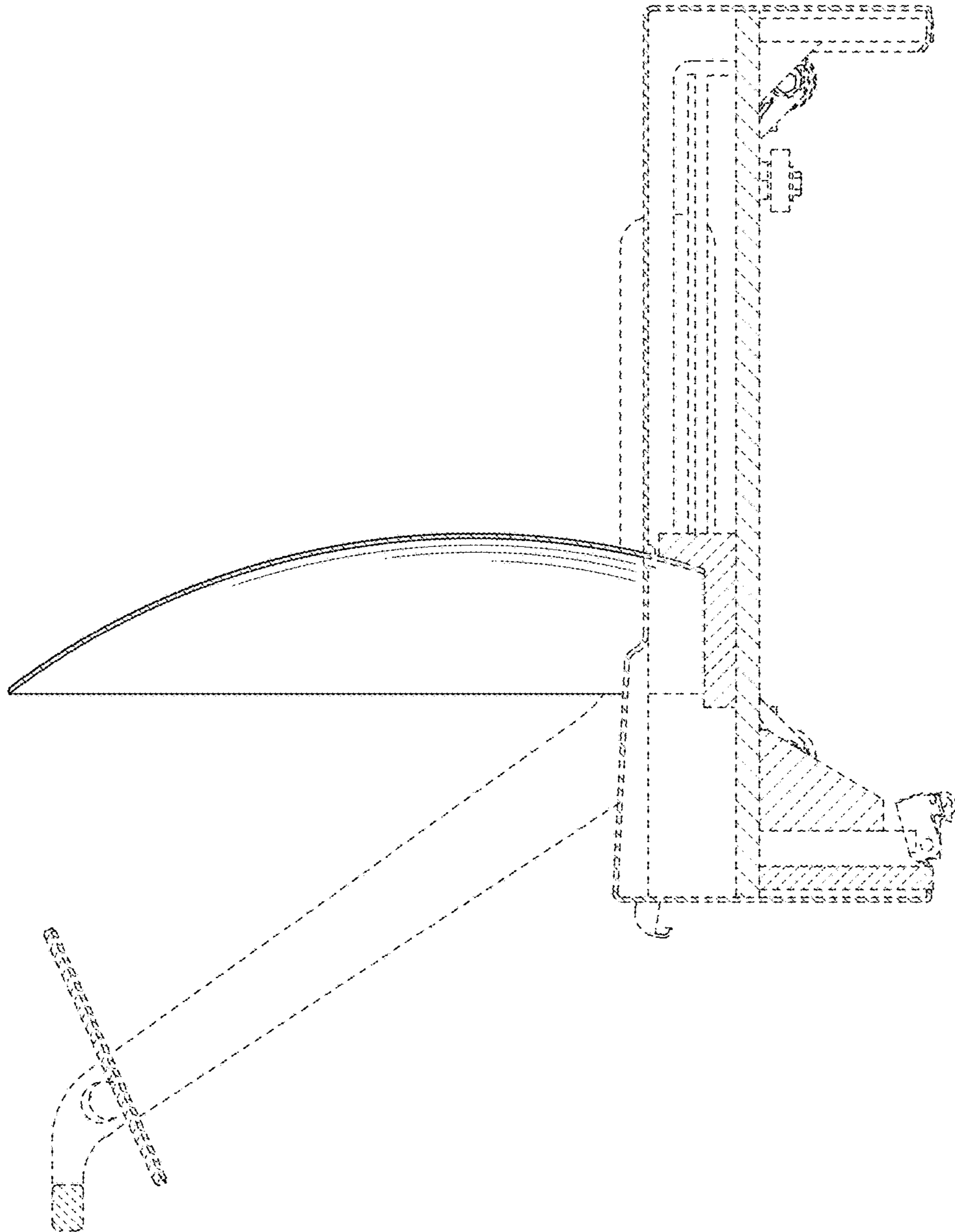


Fig. 7

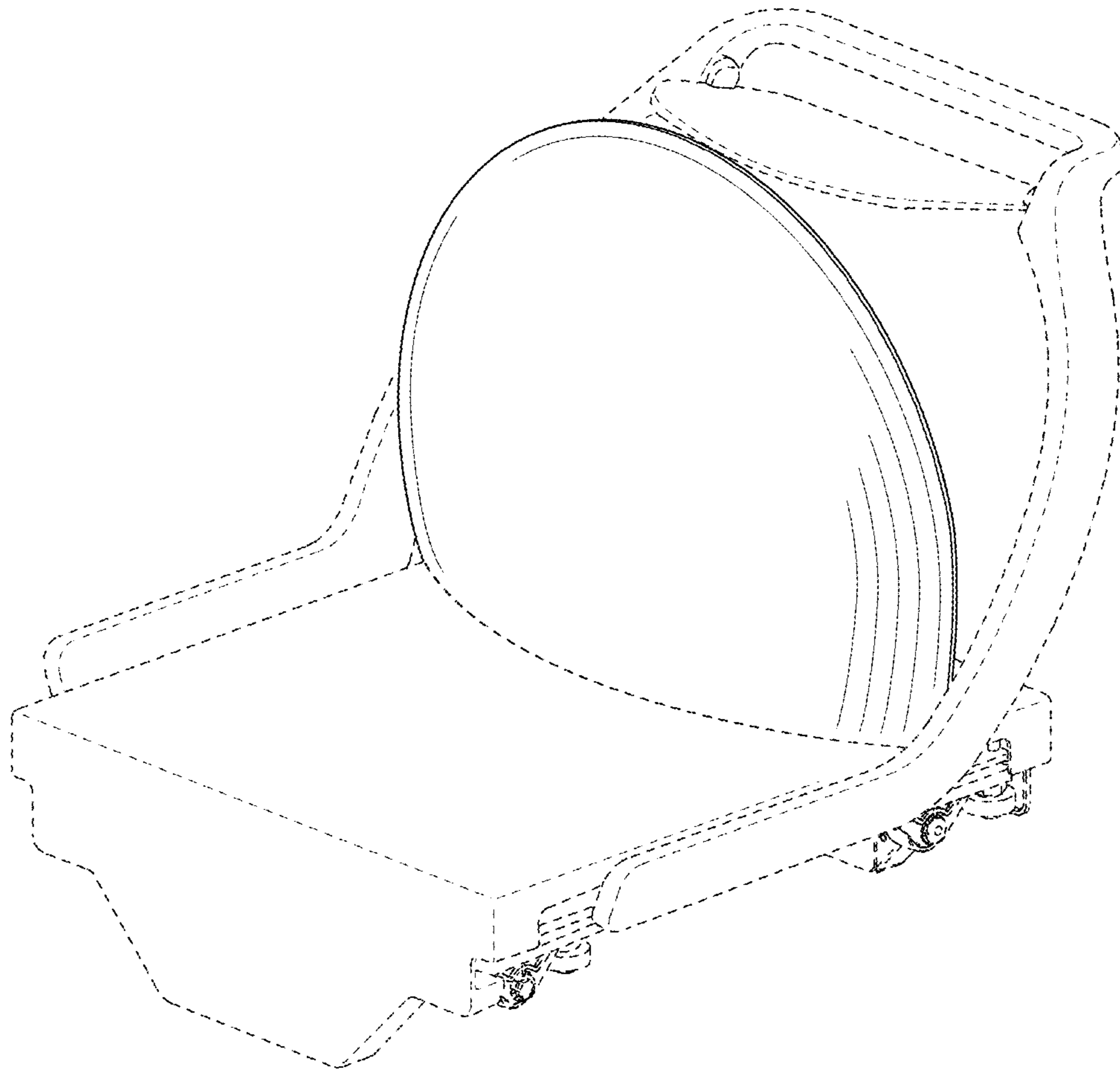


Fig.8