



US00D804029S

(12) **United States Design Patent**
Blocher

(10) **Patent No.:** **US D804,029 S**

(45) **Date of Patent:** **** Nov. 28, 2017**

- (54) **SCISSOR**
- (71) Applicant: **KARL STORZ GmbH & Co. KG**,
Tuttlingen (DE)
- (72) Inventor: **Martin Blocher**, Stockach (DE)
- (73) Assignee: **KARL STORZ GmbH & Co. KG**,
Tuttlingen (DE)
- (**) Term: **15 Years**
- (21) Appl. No.: **29/533,366**
- (22) Filed: **Jul. 16, 2015**
- (30) **Foreign Application Priority Data**
Jan. 16, 2015 (EM) 002615203-0001
- (51) **LOC (10) Cl.** **24-02**
- (52) **U.S. Cl.**
USPC **D24/148**
- (58) **Field of Classification Search**
USPC D24/133, 135, 146, 148, 147, 143, 138
CPC A61B 2018/00607; A61B 2018/00601;
A61B 17/34; A61B 17/32; A61B 17/16
See application file for complete search history.

- (56) **References Cited**
U.S. PATENT DOCUMENTS
D274,096 S * 5/1984 Shutt D24/143
D289,437 S * 4/1987 Honkanen D24/148
4,896,678 A * 1/1990 Ogawa A61B 17/29
600/564
D307,322 S * 4/1990 Dolwick D24/135
5,304,203 A * 4/1994 El-Mallawany A61B 17/29
600/564
D350,606 S * 9/1994 Koros D24/143
5,474,571 A * 12/1995 Lang A61B 17/29
606/174

- 5,951,465 A * 9/1999 Schiff A61B 17/4241
600/224
- 6,139,563 A * 10/2000 Cosgrove, III A61B 17/122
600/564
- 6,626,929 B1 * 9/2003 Bannerman A61B 17/2909
606/205
- D498,300 S * 11/2004 Karl-Heinz D24/146
- D535,398 S * 1/2007 Stammberger D24/133
- D548,836 S * 8/2007 Lang D24/146
- D605,761 S * 12/2009 Stefan D24/133
- D612,494 S * 3/2010 Ott D24/135
- D617,456 S * 6/2010 Ott D24/135
- D630,322 S * 1/2011 Speiser D24/133
- D641,872 S * 7/2011 Solingen D24/133
- D641,873 S * 7/2011 Solingen D24/133
- D669,177 S * 10/2012 Castelnuovo D24/143
- D669,178 S * 10/2012 Catelnuovo D24/143
- D698,920 S * 2/2014 Strobel D24/133
- D753,299 S * 4/2016 Di Spiezio Sardo D24/143

(Continued)

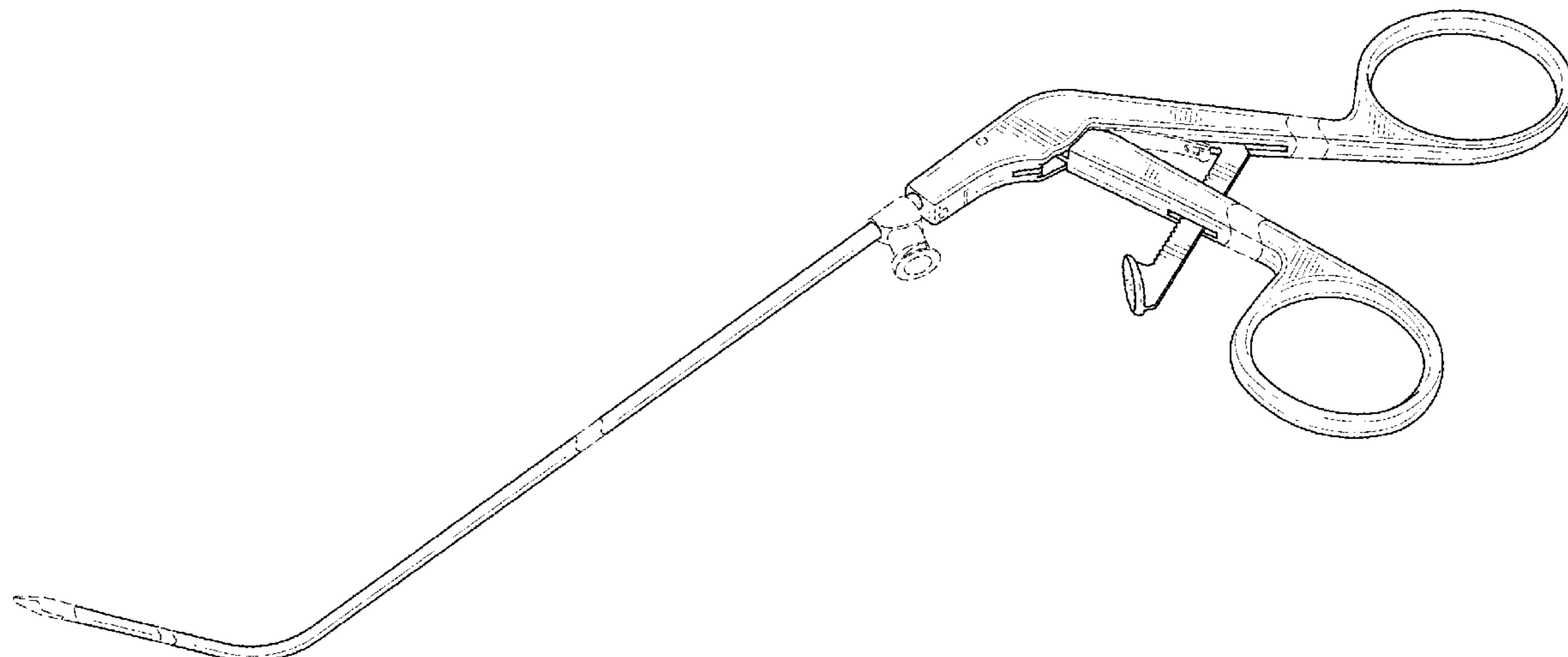
Primary Examiner — Lakiya Rogers
Assistant Examiner — Carissa C Fitts
 (74) *Attorney, Agent, or Firm* — Muncy, Geissler, Olds & Lowe, P.C.

(57) **CLAIM**
 The ornamental design for a scissor, as shown and described.

DESCRIPTION

FIG. 1 is a front perspective view of a scissor according to the present invention.
 FIG. 2 is a left side view of the scissor of FIG. 1.
 FIG. 3 is a right side view of the scissor of FIG. 1.
 FIG. 4 is a top view of the scissor of FIG. 1.
 FIG. 5 is a bottom view of the scissor of FIG. 1.
 FIG. 6 is a front view of the scissor of FIG. 1; and,
 FIG. 7 is a rear view of the scissor of FIG. 1.
 The broken lines show unclaimed portions of the article and form no part of the claimed design.

1 Claim, 7 Drawing Sheets



(56)

References Cited

U.S. PATENT DOCUMENTS

2004/0267304 A1* 12/2004 Zannis A61B 17/29
606/206
2005/0038469 A1* 2/2005 Lang A61B 17/29
606/207
2006/0282117 A1* 12/2006 Berberich A61B 17/0483
606/205
2008/0294192 A1* 11/2008 Stefan A61B 17/1608
606/205
2011/0046661 A1* 2/2011 Kuehn A61B 17/1608
606/206

* cited by examiner

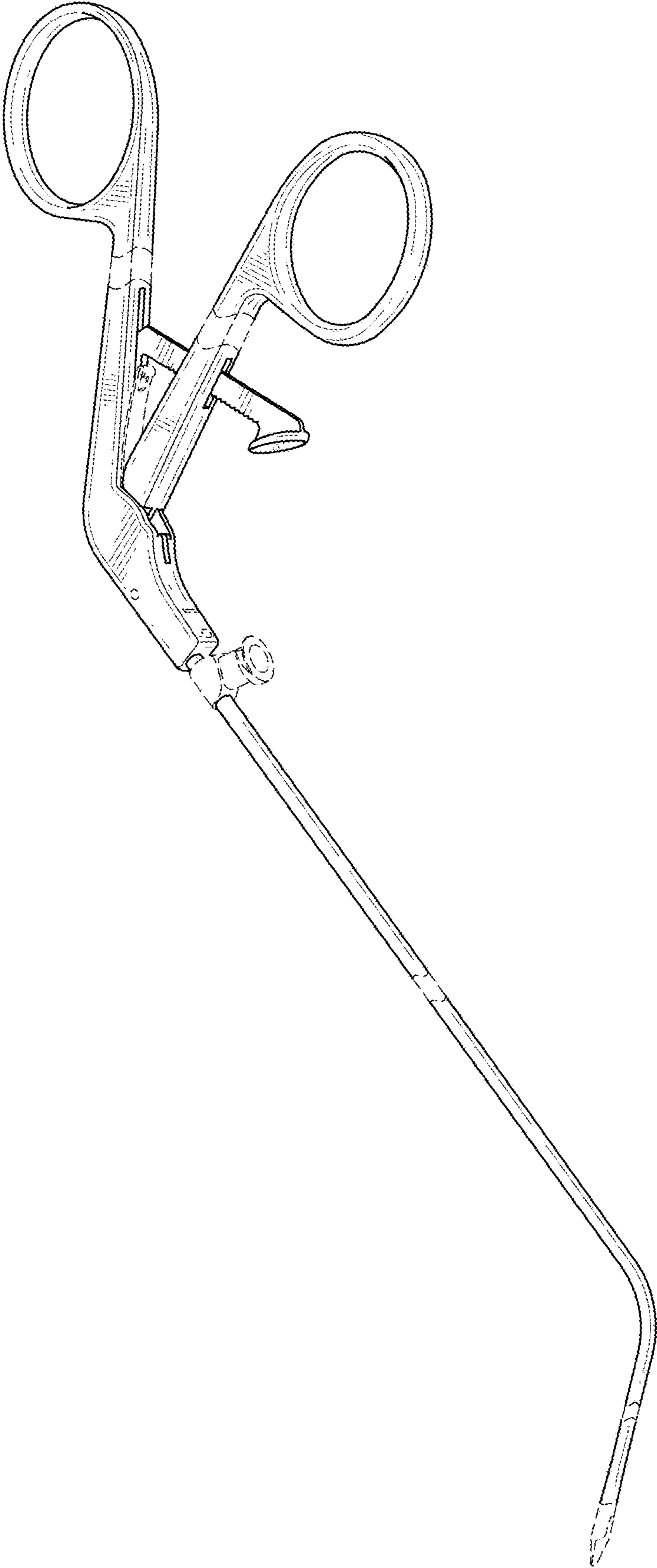


FIG.1

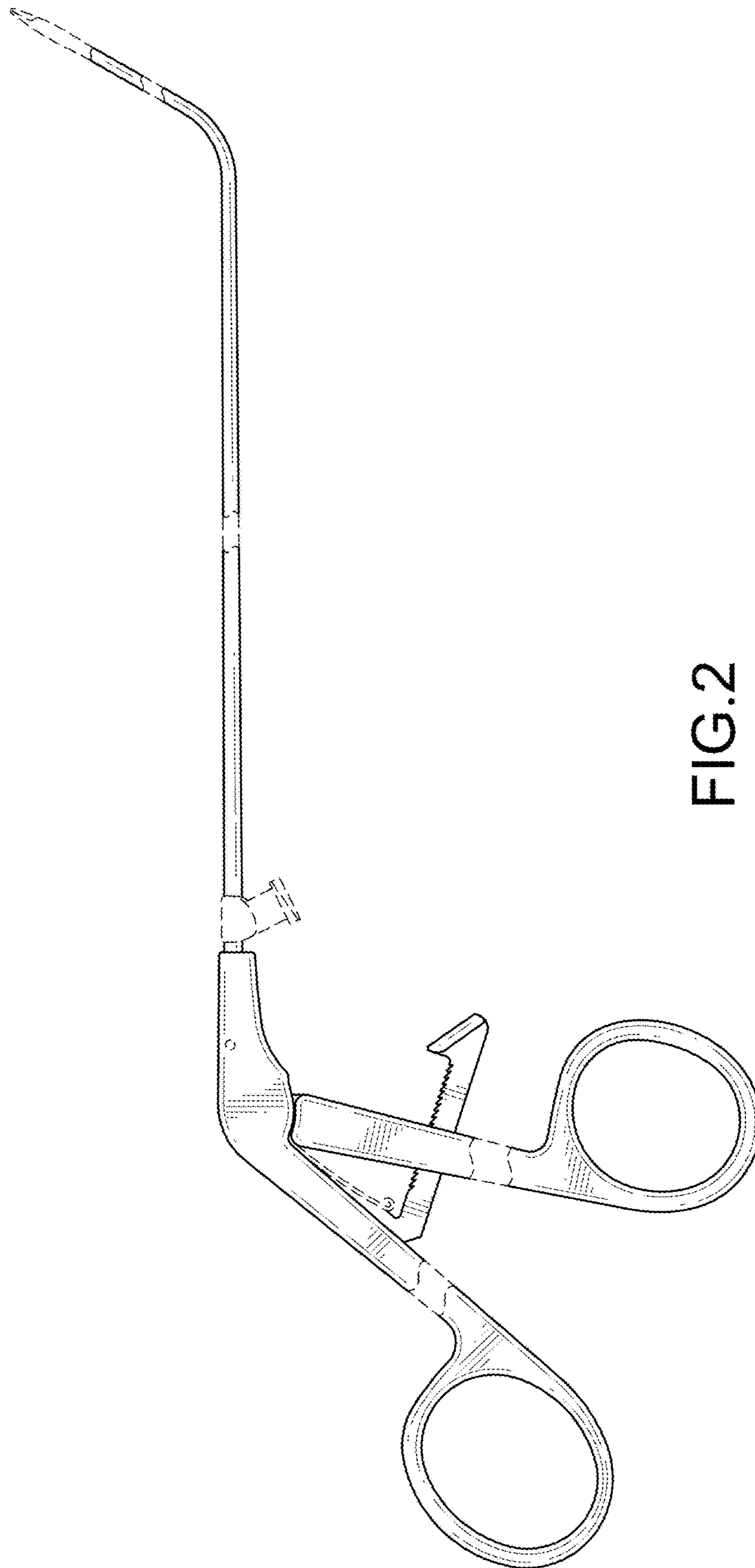


FIG.2

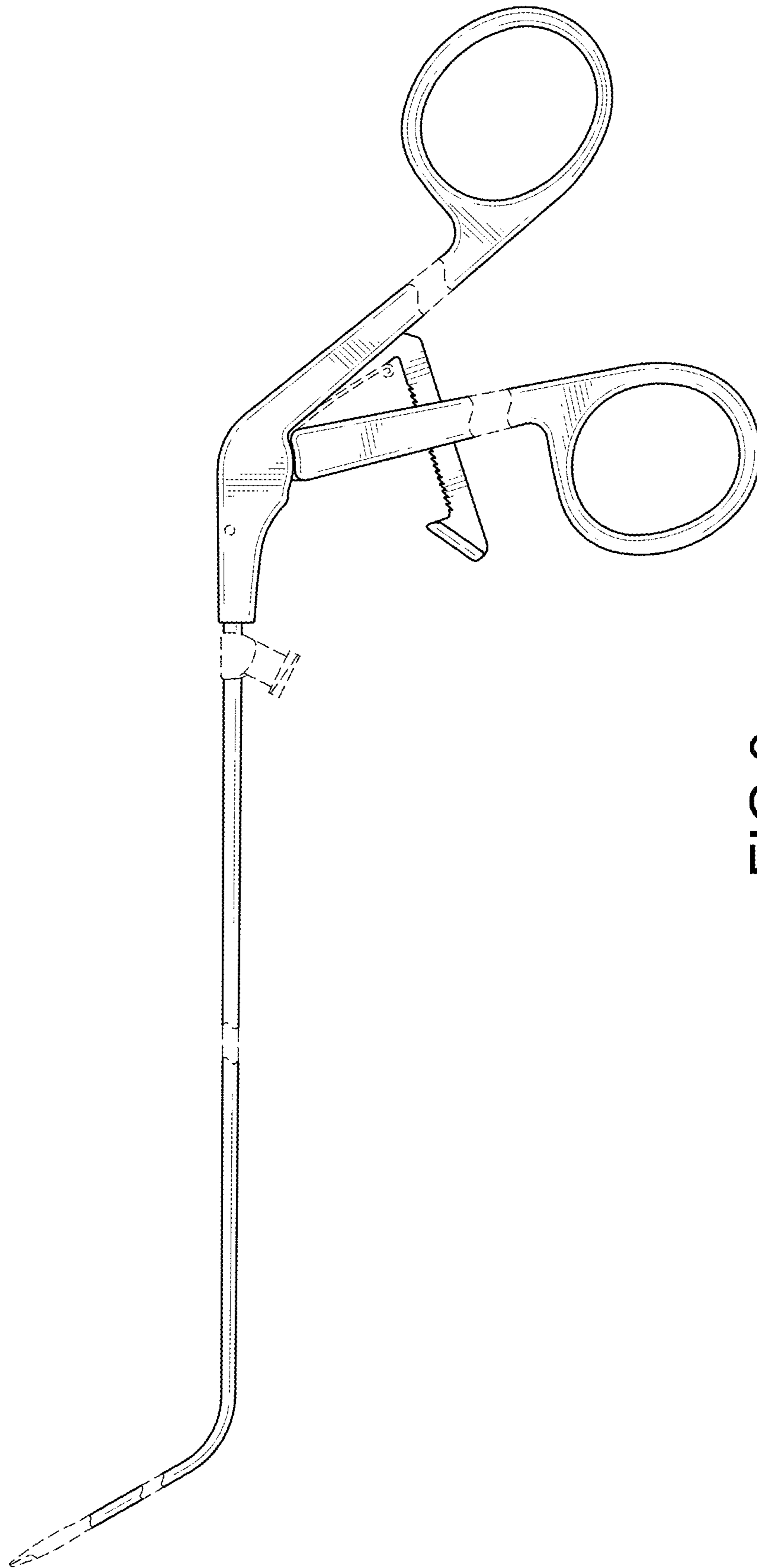


FIG. 3

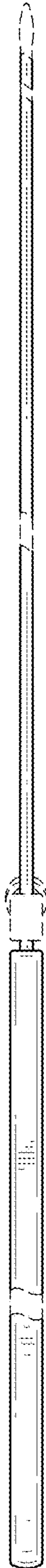


FIG.4

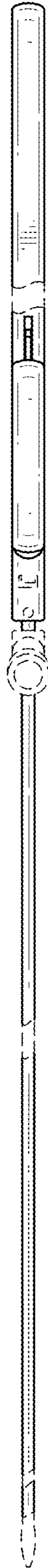


FIG.5



FIG.6

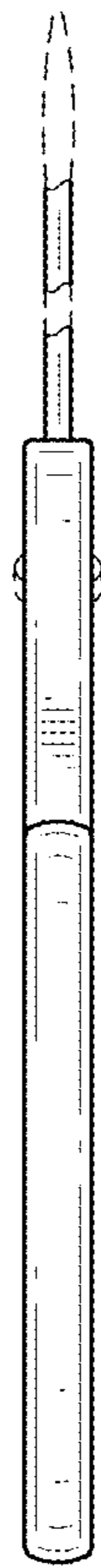


FIG.7