



US00D804026S

(12) **United States Design Patent**  
**Linnenschmidt**

(10) **Patent No.:** **US D804,026 S**

(45) **Date of Patent:** **\*\* Nov. 28, 2017**

(54) **SUTURE RETRIEVER**

(71) Applicant: **KARL STORZ GmbH & Co. KG,**  
Tuttlingen (DE)

(72) Inventor: **Fred Linnenschmidt,** Tuttlingen (DE)

(73) Assignee: **KARL STORZ GmbH & Co. KG,**  
Tuttlingen (DE)

(\*\*) Term: **15 Years**

(21) Appl. No.: **29/588,323**

(22) Filed: **Dec. 20, 2016**

(30) **Foreign Application Priority Data**

Jun. 20, 2016 (EM) ..... 003230309-0002

(51) **LOC (10) Cl.** ..... **24-02**

(52) **U.S. Cl.**  
USPC ..... **D24/143; D24/145**

(58) **Field of Classification Search**  
USPC ..... D24/145, 143, 146-148  
CPC ... A61B 17/28-17/29; A61B 17/00234; A61B  
17/2808; A61B 17/282; A61B 17/122;  
A61B 17/1285; A61B 17/1445; A61B  
17/1442; A61B 17/483; A61B 17/0483;  
A61B 17/0469; A61B 18/1445; A61B  
18/1442; A61B 2018/146; A61B 17/0485;  
A61B 17/0487

See application file for complete search history.

(56) **References Cited**

**U.S. PATENT DOCUMENTS**

5,417,701 A \* 5/1995 Holmes ..... A61B 17/0469  
606/147  
5,496,335 A 3/1996 Thomason et al.  
5,499,991 A 3/1996 Garman et al.  
5,980,538 A \* 11/1999 Fuchs ..... A61B 17/0469  
606/139  
6,074,403 A 6/2000 Nord

6,517,552 B1 2/2003 Nord et al.  
6,960,210 B2 \* 11/2005 Lands ..... A61B 18/1445  
606/207  
RE43,049 E \* 12/2011 Grace ..... A61B 17/0469  
600/104

(Continued)

**FOREIGN PATENT DOCUMENTS**

DE 198 48 958 A1 5/1999  
EP 1 389 446 A2 2/2001  
EP 1 958 574 B1 10/2011

**OTHER PUBLICATIONS**

U.S. Appl. No. 29/535,680, filed Aug. 10, 2015, Lautemann et al.  
(Continued)

*Primary Examiner* — Wan Laymon

(74) *Attorney, Agent, or Firm* — Muncy, Geissler, Olds & Lowe, P.C.

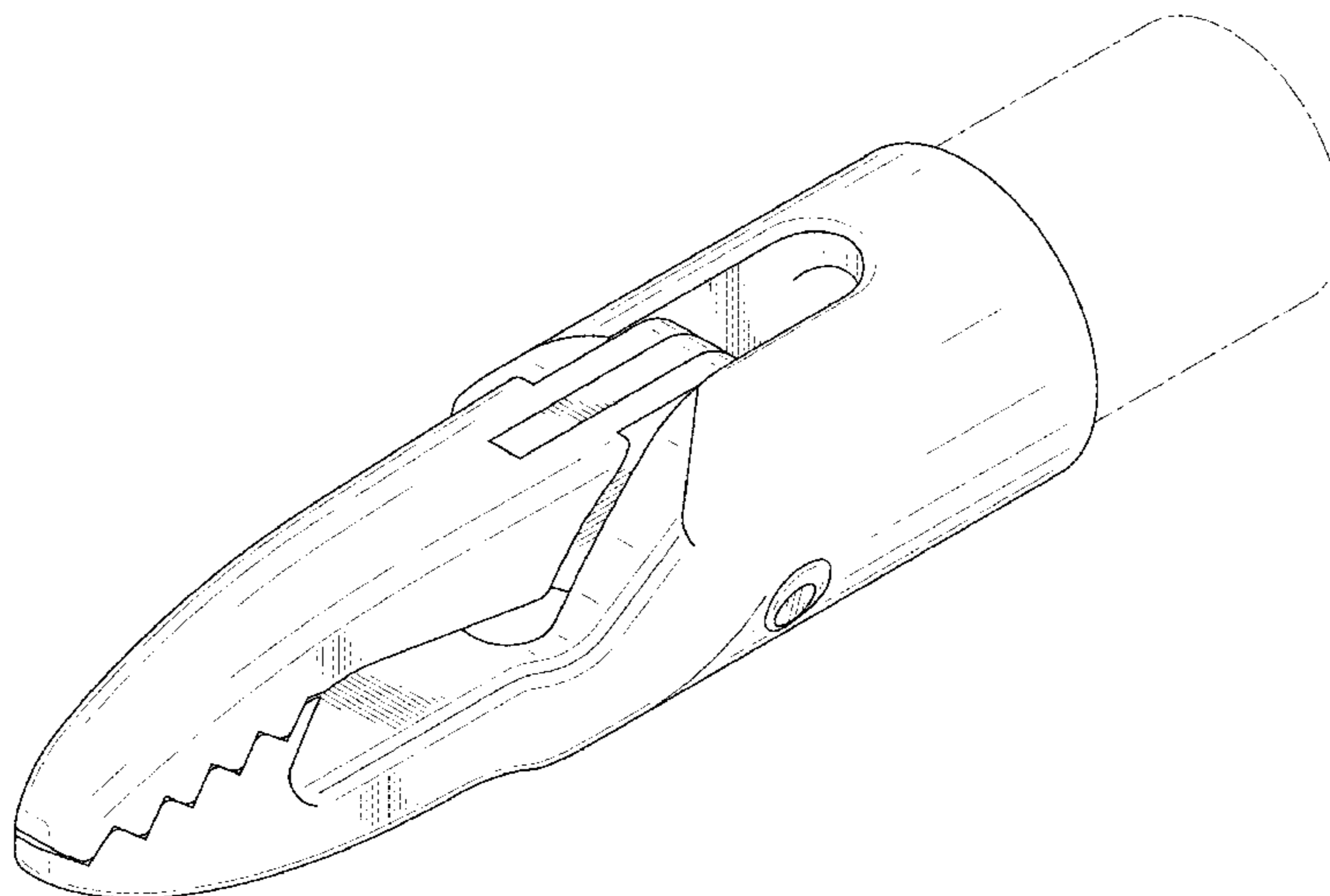
(57) **CLAIM**

The ornamental design for a suture retriever, as shown and described.

**DESCRIPTION**

FIG. 1 is a front perspective view of a suture retriever according to the present invention. FIG. 2 is a front view of the suture retriever of FIG. 1. FIG. 3 is a rear view of the suture retriever of FIG. 1. FIG. 4 is a left side view of the suture retriever of FIG. 1. FIG. 5 is a right side view of the suture retriever of FIG. 1. FIG. 6 is a top view of the suture retriever of FIG. 1; and, FIG. 7 is a bottom view of the suture retriever of FIG. 1. The dashed lines illustrate environment that does not form a part of the present invention, and no claim is made to the material illustrated with dashed lines.

**1 Claim, 7 Drawing Sheets**



(56)

**References Cited**

U.S. PATENT DOCUMENTS

8,070,759 B2 \* 12/2011 Stefanchik ..... A61B 17/0469  
606/139  
9,107,657 B2 \* 8/2015 Uchida ..... A61B 17/0469  
9,168,050 B1 \* 10/2015 Peine ..... A61B 17/29  
9,345,503 B2 \* 5/2016 Ishida ..... A61B 17/29  
D773,044 S \* 11/2016 Koh ..... D24/143  
D788,919 S \* 6/2017 Lautemann ..... D24/143

OTHER PUBLICATIONS

U.S. Appl. No. 29/535,682, filed Aug. 10, 2015, Lautemann et al.  
U.S. Appl. No. 29/535,686, filed Aug. 10, 2015, Lautemann et al.  
U.S. Appl. No. 29/535,768, filed Aug. 10, 2015, Lautemann et al.  
U.S. Appl. No. 29/535,772, filed Aug. 10, 2015, Lautemann et al.  
U.S. Appl. No. 29/535,775, filed Aug. 10, 2015, Lautemann et al.  
U.S. Appl. No. 29/553,728, filed Feb. 4, 2016, Lautemann et al.  
U.S. Appl. No. 29/553,730, filed Feb. 4, 2016, Lautemann et al.  
U.S. Appl. No. 29/553,725, filed Feb. 4, 2016, Lautemann et al.  
U.S. Appl. No. 29/553,726, filed Feb. 4, 2016, Lautemann et al.  
U.S. Appl. No. 29/553,630, filed Feb. 4, 2016, Lautemann et al.  
U.S. Appl. No. 29/553,636, filed Feb. 4, 2016, Lautemann et al.

\* cited by examiner

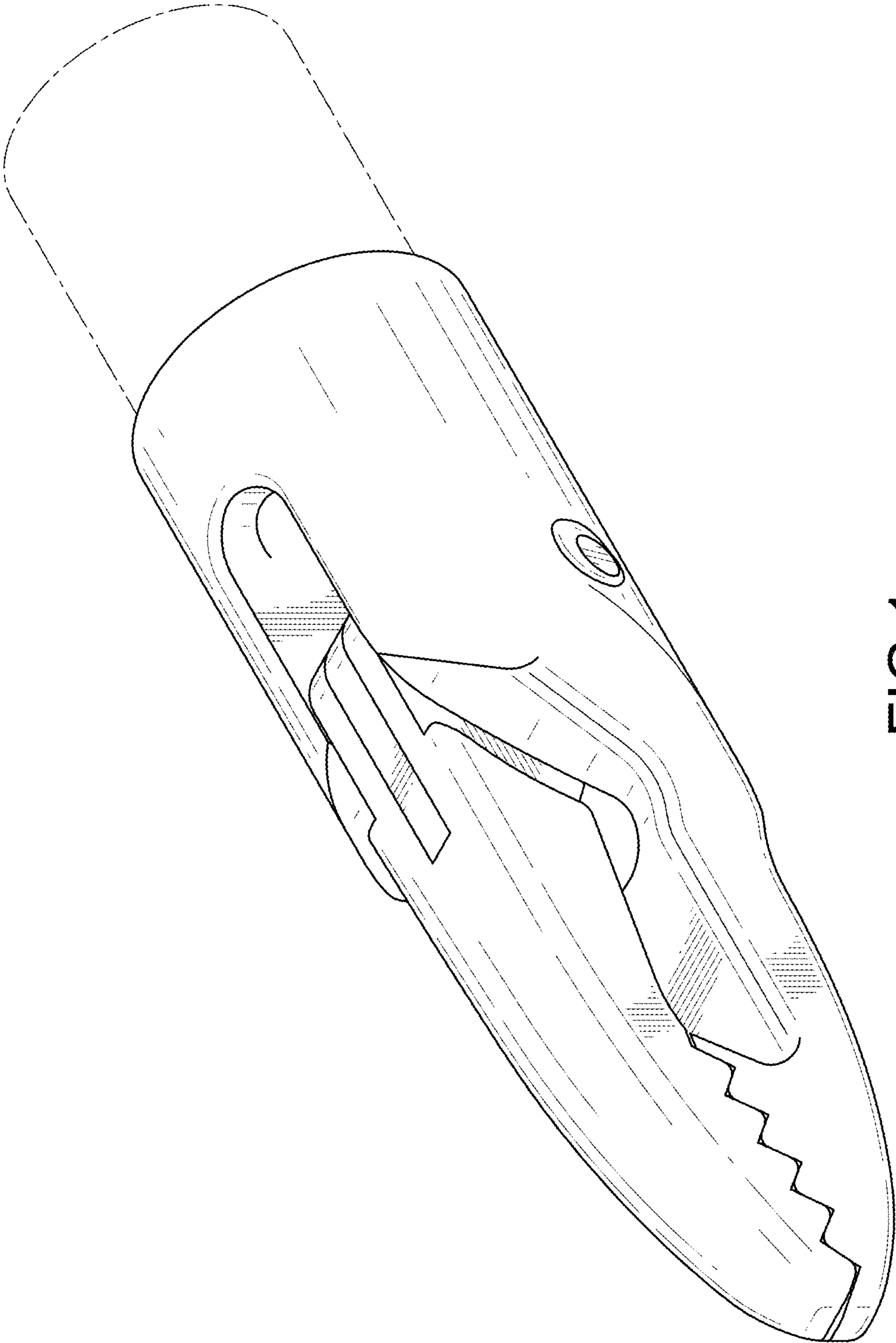


FIG.1

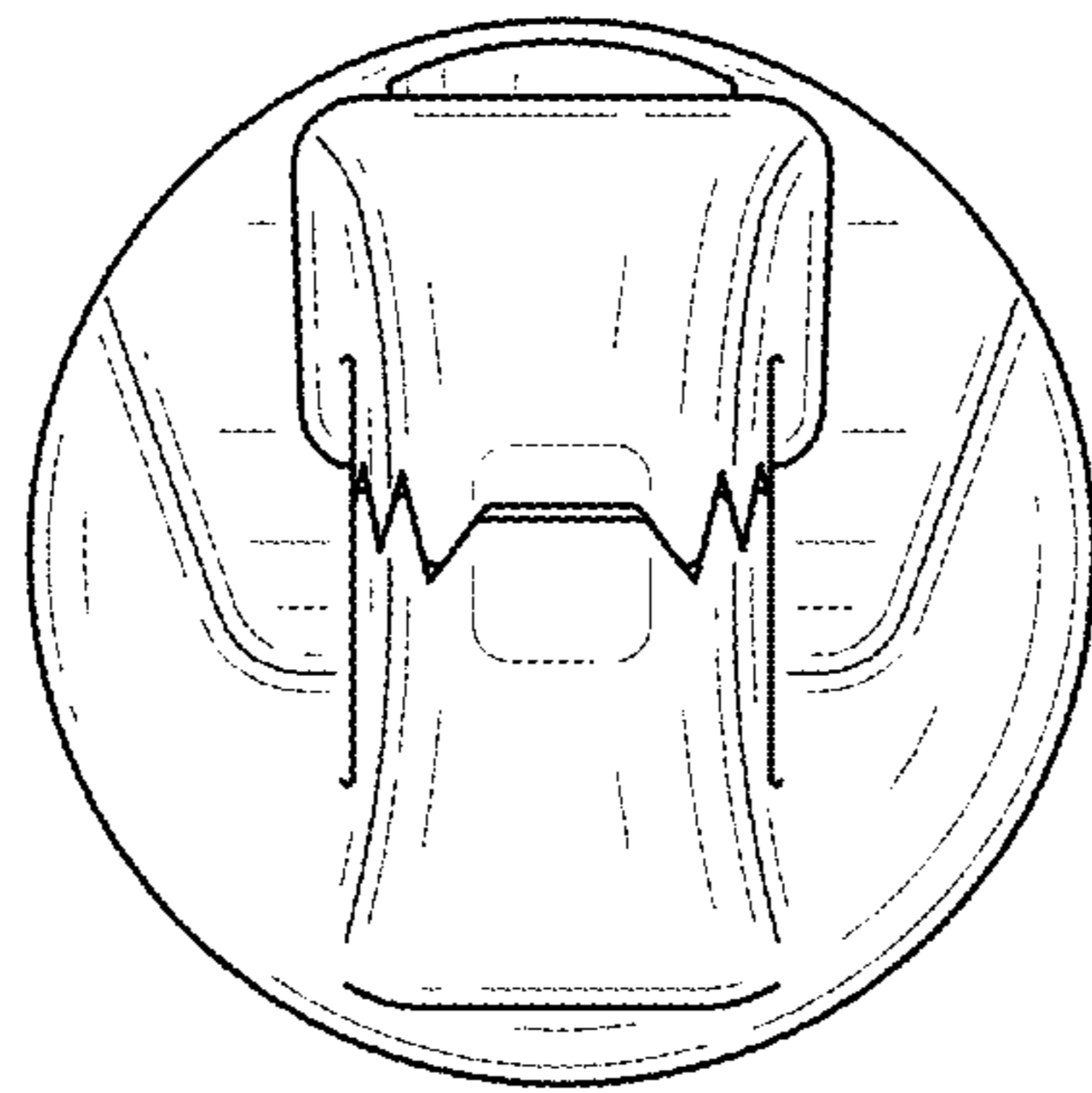


FIG.2

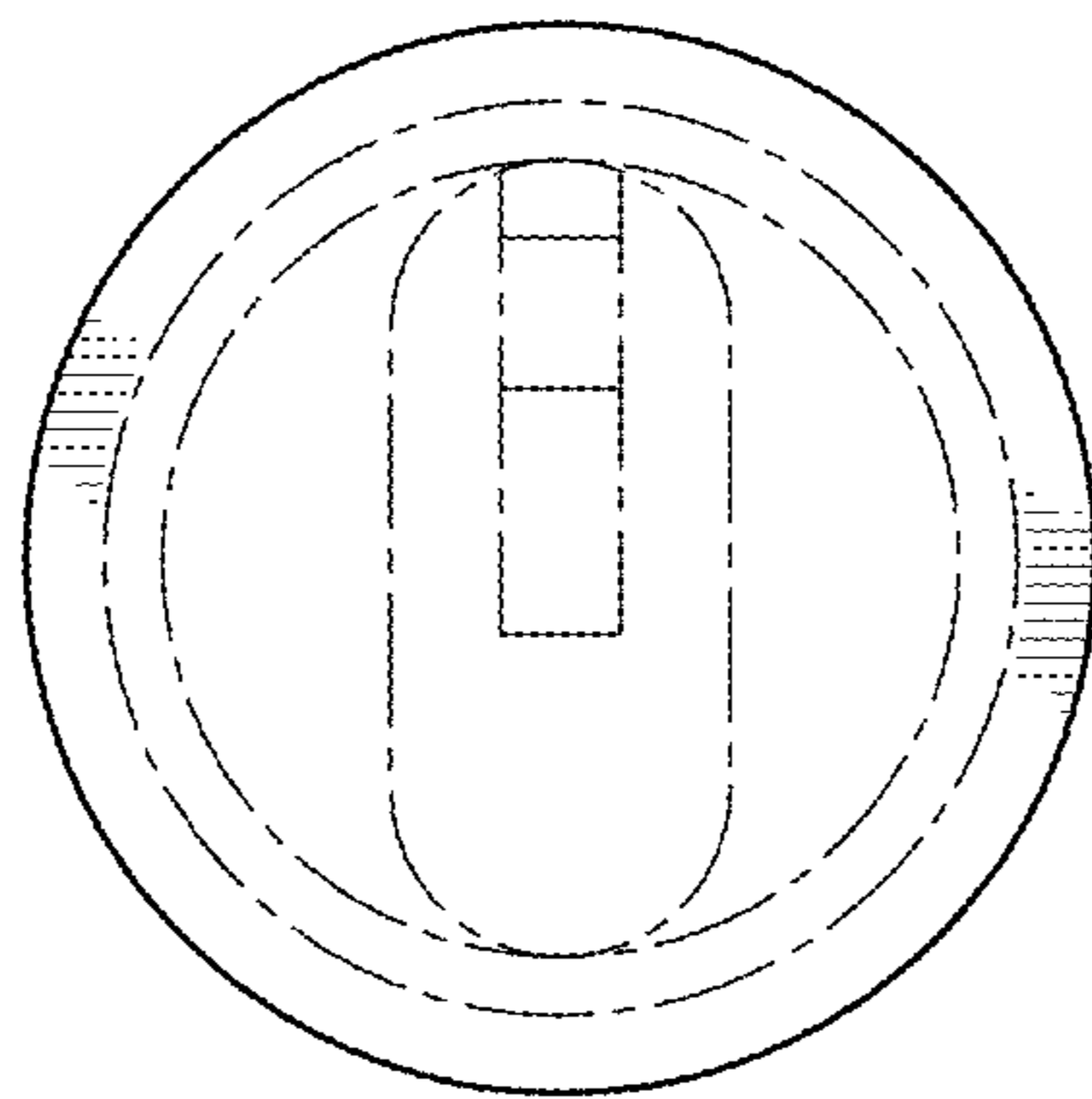


FIG.3

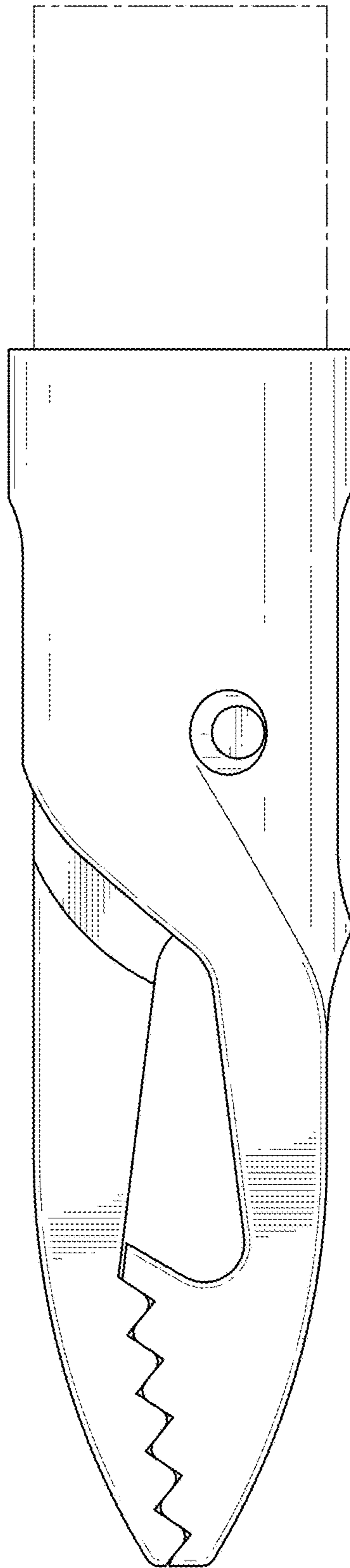


FIG.4

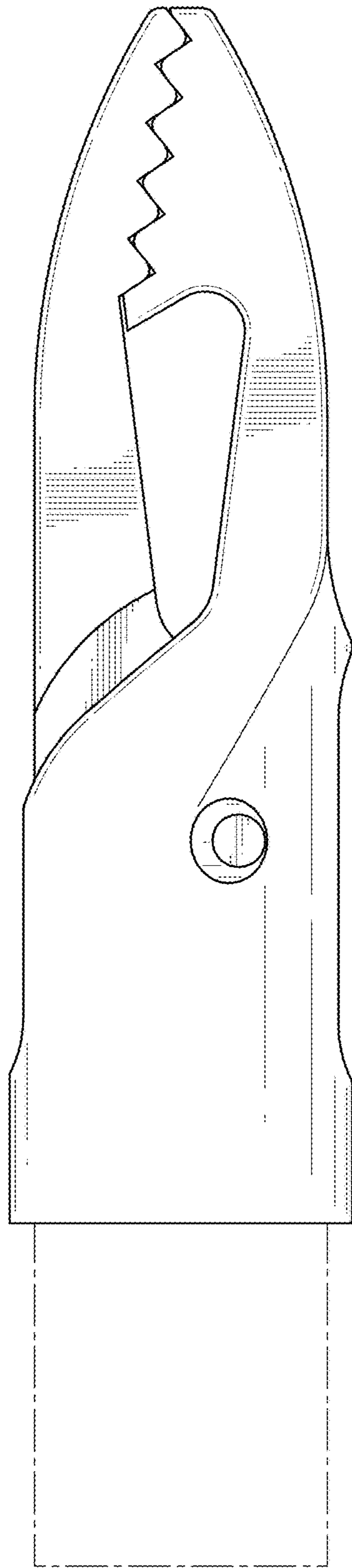


FIG.5



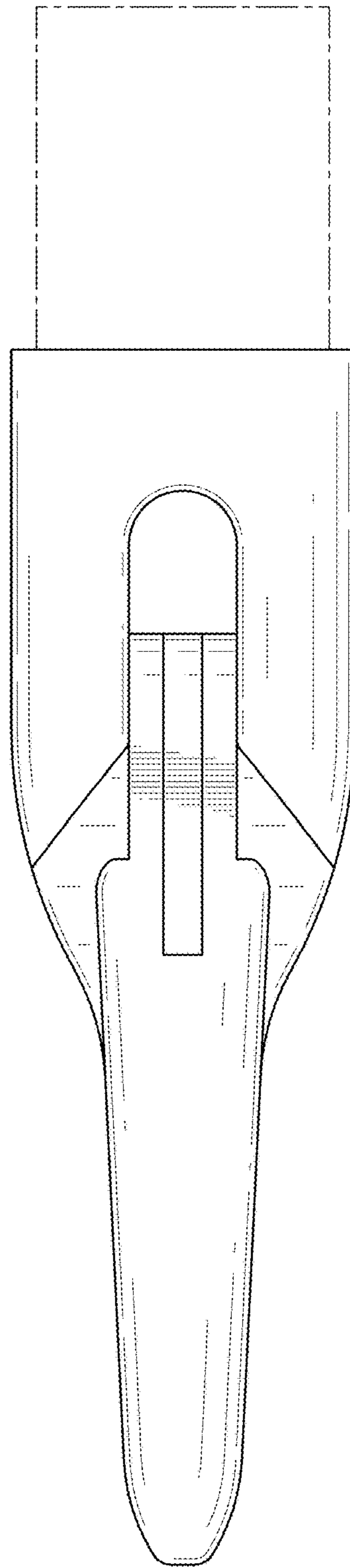


FIG.6



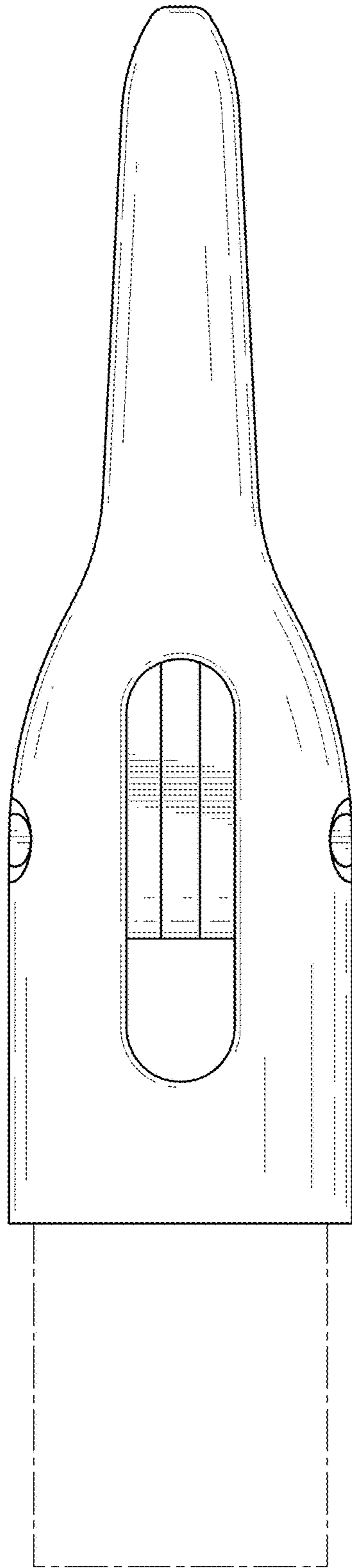


FIG.7