

US00D804025S

(12) **United States Design Patent**
Linnenschmidt

(10) **Patent No.:** **US D804,025 S**

(45) **Date of Patent:** **** Nov. 28, 2017**

(54) **SUTURE RETRIEVER**

(71) Applicant: **KARL STORZ GmbH & Co. KG,**
Tuttlingen (DE)

(72) Inventor: **Fred Linnenschmidt,** Tuttlingen (DE)

(73) Assignee: **KARL STORZ GmbH & Co. KG,**
Tuttlingen (DE)

(**) Term: **15 Years**

(21) Appl. No.: **29/587,693**

(22) Filed: **Dec. 15, 2016**

(30) **Foreign Application Priority Data**

Jun. 20, 2016 (EM) 003230309-0004

(51) **LOC (10) Cl.** **24-02**

(52) **U.S. Cl.**
USPC **D24/143; D24/145**

(58) **Field of Classification Search**
USPC D24/145, 143, 146-148
CPC ... A61B 17/28-17/29; A61B 17/00234; A61B
17/2808; A61B 17/282; A61B 17/122;
A61B 17/1285; A61B 17/1445; A61B
17/1442; A61B 17/483; A61B 17/0483;
A61B 17/0469; A61B 18/1445; A61B
18/1442; A61B 2018/146; A61B 17/0485;
A61B 17/0487

See application file for complete search history.

(56) **References Cited**

U.S. PATENT DOCUMENTS

- 5,417,701 A * 5/1995 Holmes A61B 17/0469
606/147
- 5,496,335 A 3/1996 Thomason et al.
- 5,499,991 A 3/1996 Garman et al.
- 5,980,538 A * 11/1999 Fuchs A61B 17/0469
606/139
- 6,074,403 A 6/2000 Nord

- 6,517,552 B1 2/2003 Nord et al.
- 6,960,210 B2 * 11/2005 Lands A61B 18/1445
606/207
- RE43,049 E * 12/2011 Grace A61B 17/0469
600/104

(Continued)

FOREIGN PATENT DOCUMENTS

- DE 198 48 958 A1 5/1989
- EP 1 389 446 A2 2/2004
- EP 1 958 574 B1 10/2011

OTHER PUBLICATIONS

U.S. Appl No. 29/535,680, filed Aug. 10, 2015, Lautemann et al.

(Continued)

Primary Examiner — Wan Laymon

(74) *Attorney, Agent, or Firm* — Muncy, Geissler, Olds & Lowe, P.C.

(57) **CLAIM**

The ornamental design for a suture retriever, as shown and described.

DESCRIPTION

FIG. 1 is a front perspective view of a suture retriever according to the present invention.

FIG. 2 is a front view of the suture retriever of FIG. 1.

FIG. 3 is a rear view of the suture retriever of FIG. 1.

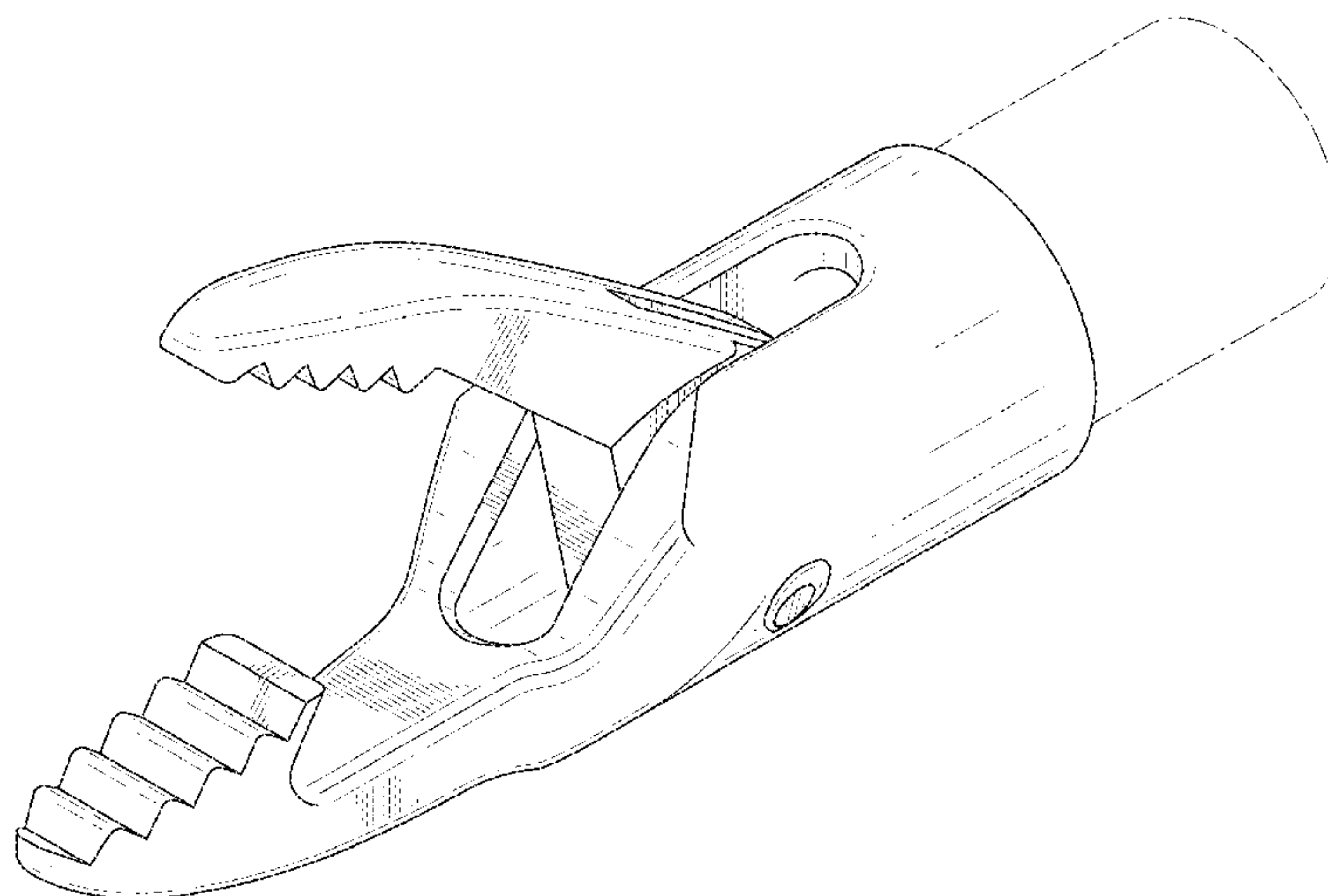
FIG. 4 is a left side view of the suture retriever of FIG. 1.

FIG. 5 is a right side view of the suture retriever of FIG. 1.

FIG. 6 is a top view of the suture retriever of FIG. 1; and, FIG. 7 is a bottom view of the suture retriever of FIG. 1.

The dashed lines illustrate environment that does not form a part of the present invention, and no claim is made to the material illustrated with dashed lines.

1 Claim, 7 Drawing Sheets



(56)

References Cited

U.S. PATENT DOCUMENTS

8,070,759 B2 * 12/2011 Stefanchik A61B 17/0469
606/139
9,107,657 B2 * 8/2015 Uchida A61B 17/0469
9,168,050 B1 * 10/2015 Peine A61B 17/29
9,345,503 B2 * 5/2016 Ishida A61B 17/29
D773,044 S * 11/2016 Koh D24/143
D788,919 S * 6/2017 Lautemann D24/143

OTHER PUBLICATIONS

U.S. Appl No. 29/535,682, filed Aug. 10, 2015, Lautemann et al.
U.S. Appl No. 29/535,686, filed Aug. 10, 2015, Lautemann et al.
U.S. Appl No. 29/535,768, filed Aug. 10, 2015, Lautemann et al.
U.S. Appl No. 29/535,772, filed Aug. 10, 2015, Lautemann et al.
U.S. Appl No. 29/535,775, filed Aug. 10, 2015, Lautemann et al.
U.S. Appl No. 29/553,728, filed Feb. 4, 2016, Lautemann et al.
U.S. Appl No. 29/553,730, filed Feb. 4, 2016, Lautemann et al.
U.S. Appl No. 29/553,725, filed Feb. 4, 2016, Lautemann et al.
U.S. Appl No. 29/553,726, filed Feb. 4, 2016, Lautemann et al.
U.S. Appl No. 29/553,630, filed Feb. 3, 2016, Lautemann et al.
U.S. Appl No. 29/553,636, filed Feb. 3, 2016, Lautemann et al.

* cited by examiner

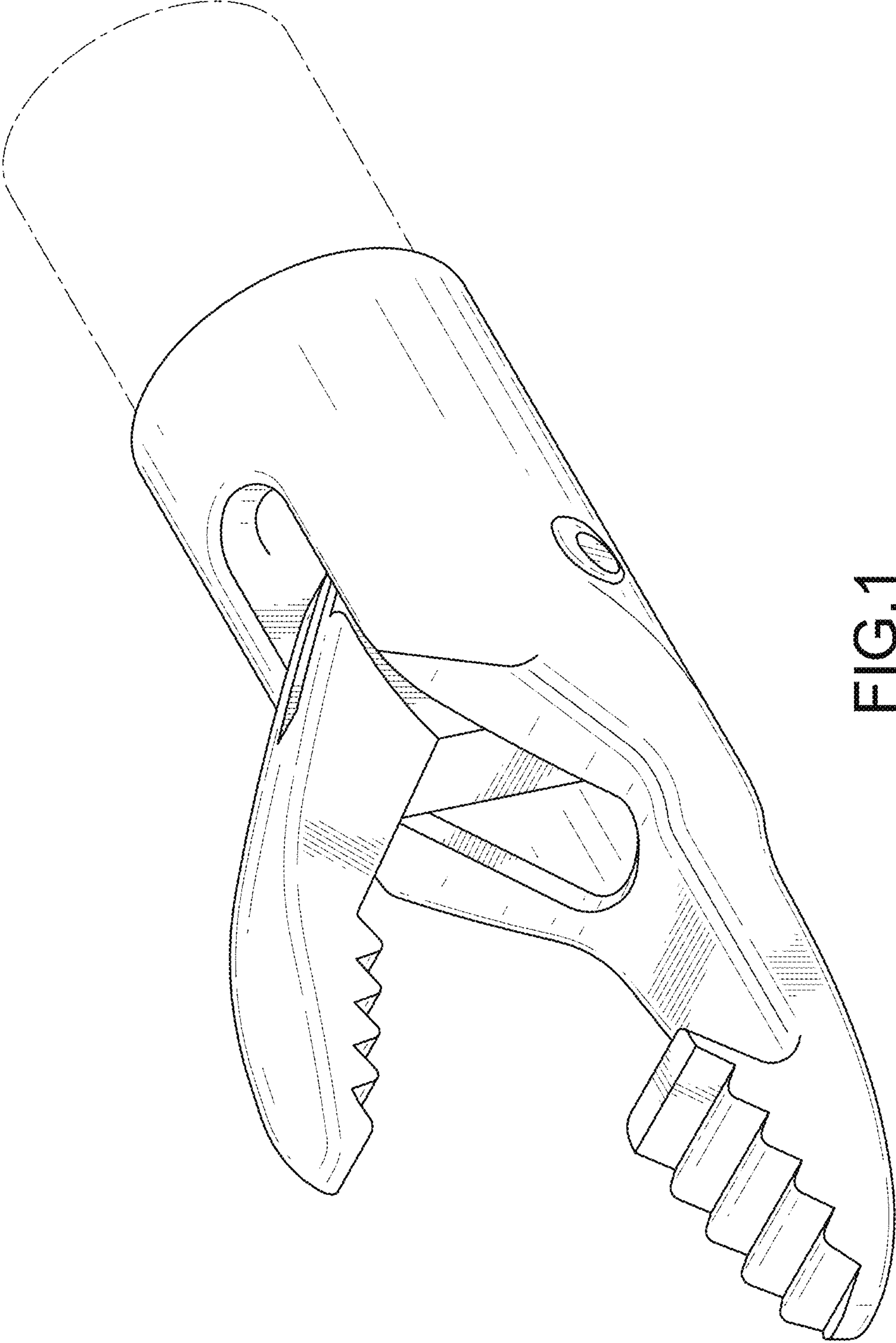


FIG.1

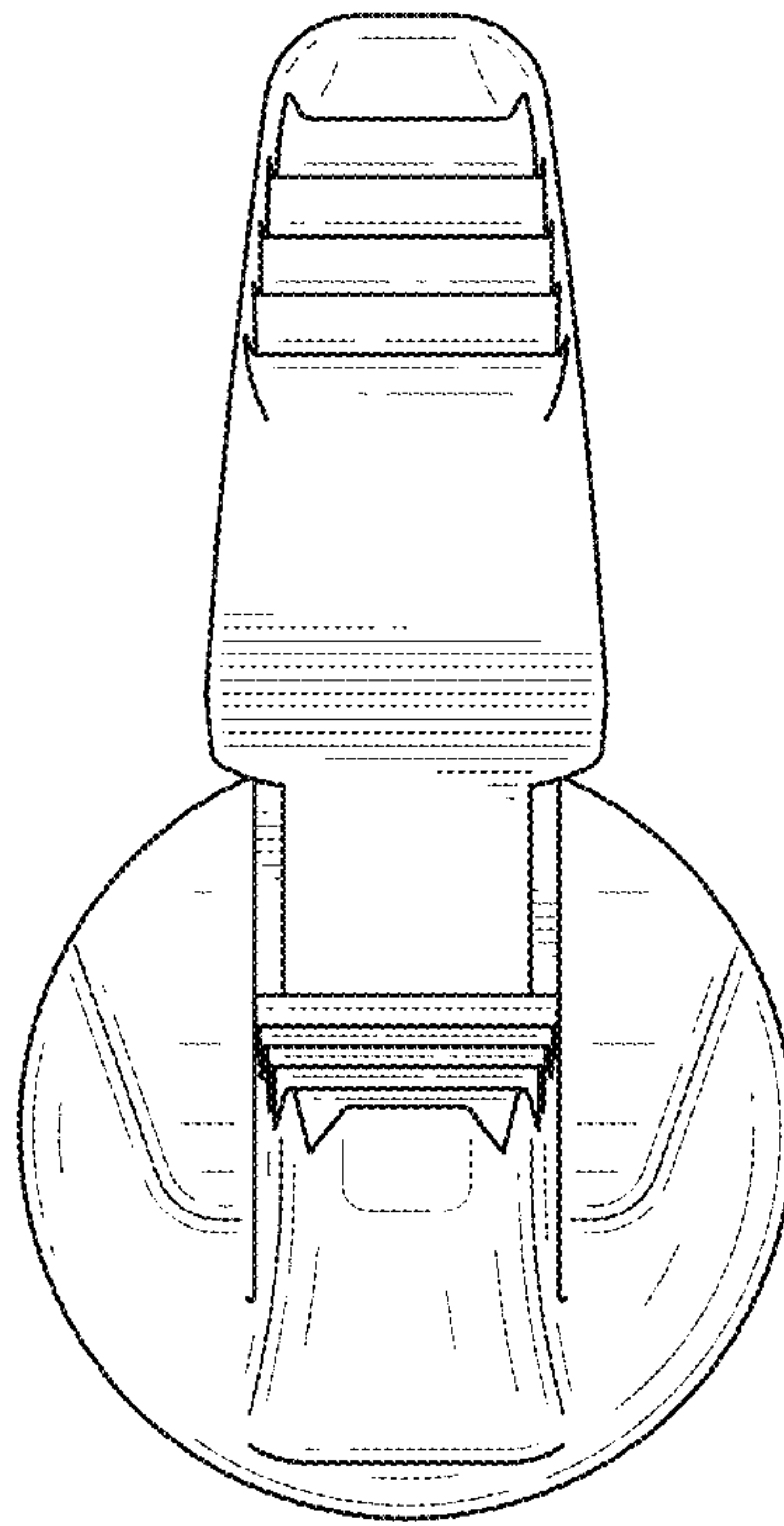


FIG.2

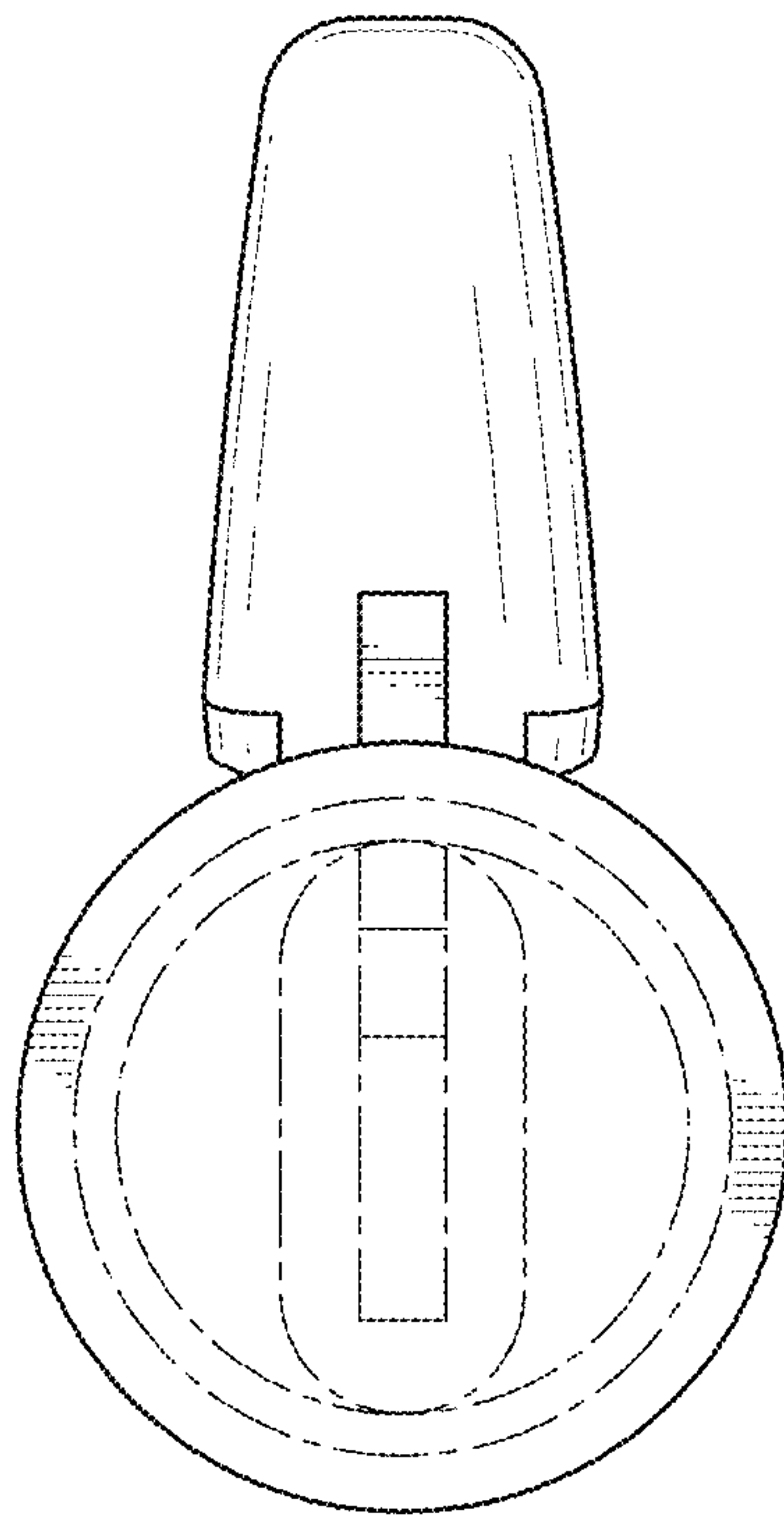


FIG.3

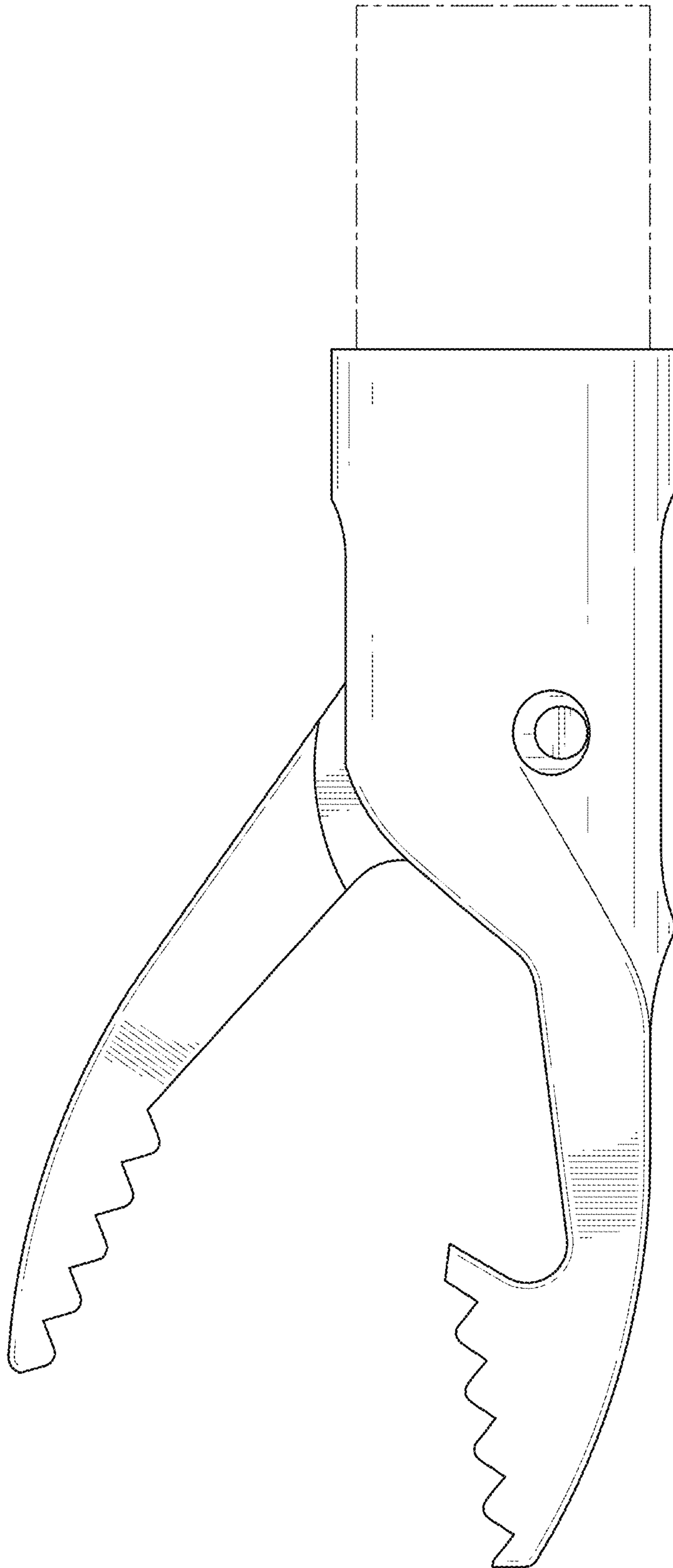


FIG.4

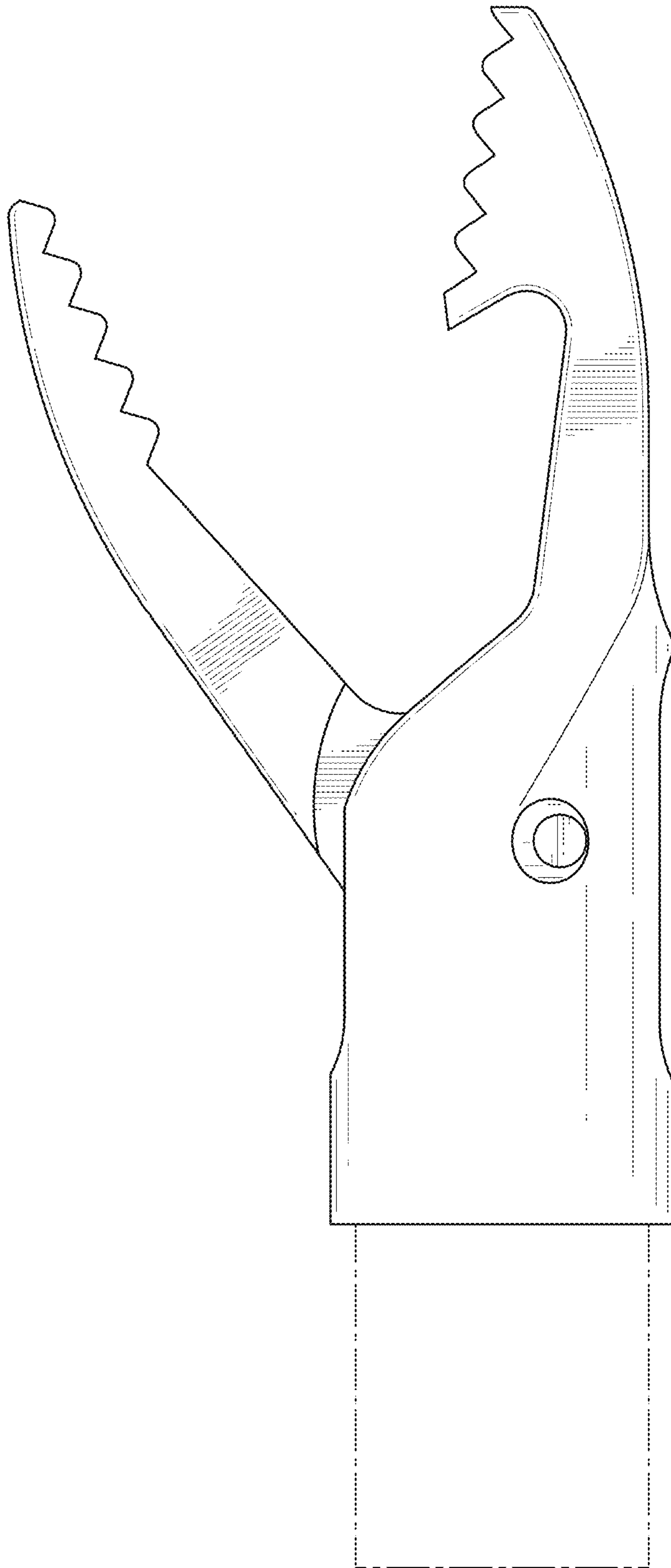


FIG.5

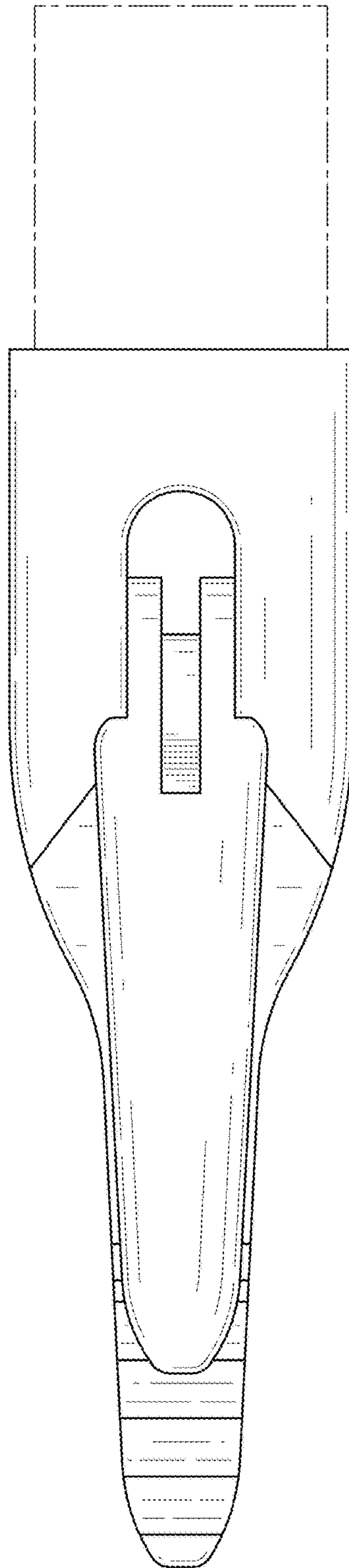


FIG. 6

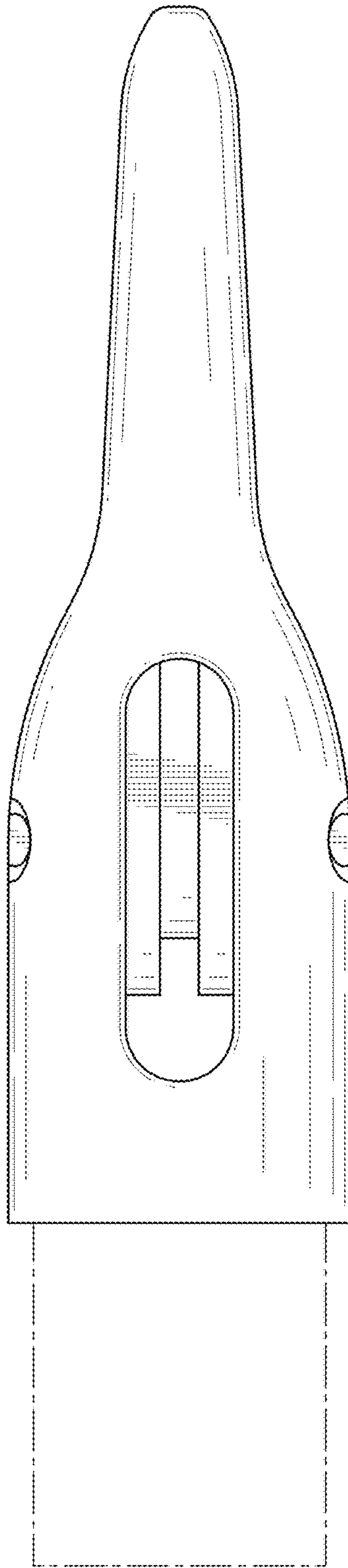


FIG. 7