



US00D804023S

(12) **United States Design Patent** (10) **Patent No.:** **US D804,023 S**
Huang et al. (45) **Date of Patent:** **** Nov. 28, 2017**

- (54) **PEN NEEDLE INNER SHIELD**
- (71) Applicant: **Becton, Dickinson and Company**,
Franklin Lakes, NJ (US)
- (72) Inventors: **David Huang**, Hayward, CA (US);
Todd Sack, Dover, DE (US); **Matthew
Zuschlag**, Randolph, NJ (US); **Mark
Bowen**, Stow, MA (US); **Shresta
Marigowda**, Morton, PA (US); **David
Schiff**, Highland Park, NJ (US)
- (73) Assignee: **Becton, Dickinson and Company**,
Franklin Lakes, NJ (US)
- (**) Term: **15 Years**
- (21) Appl. No.: **29/600,472**
- (22) Filed: **Apr. 12, 2017**

Related U.S. Application Data

- (63) Continuation-in-part of application No. 29/561,311,
filed on Apr. 14, 2016, now Pat. No. Des. 787,053.
- (51) **LOC (10) Cl.** **24-02**
- (52) **U.S. Cl.**
USPC **D24/130**
- (58) **Field of Classification Search**
USPC D24/127-131, 112-114, 133, 186;
606/181, 185; 604/264, 523-528, 272,
604/187, 158, 164.01-164.11, 181, 184,
604/227; 600/101, 139, 143;
128/200.24, 207.14, 207.15
CPC .. A61M 25/065; A61M 5/42; A61M 25/0612;
A61M 25/00; A61M 39/00; A61M 27/00;
A61M 25/0043; A61M 25/0067; A61M
25/0097

See application file for complete search history.

(56) **References Cited**
U.S. PATENT DOCUMENTS

- D323,710 S 2/1992 Kasai et al.
- D326,322 S 5/1992 Clegg et al.
- (Continued)

FOREIGN PATENT DOCUMENTS

- WO WO-2009089638 7/2009
- WO WO-2010090733 8/2010
- (Continued)

OTHER PUBLICATIONS

Clickfine Pen Needles, <http://myclickfine.com/default.aspx>, Down-
loaded Jun. 30, 2015.
(Continued)

Primary Examiner — David Muller
(74) *Attorney, Agent, or Firm* — Dickinson Wright PLLC

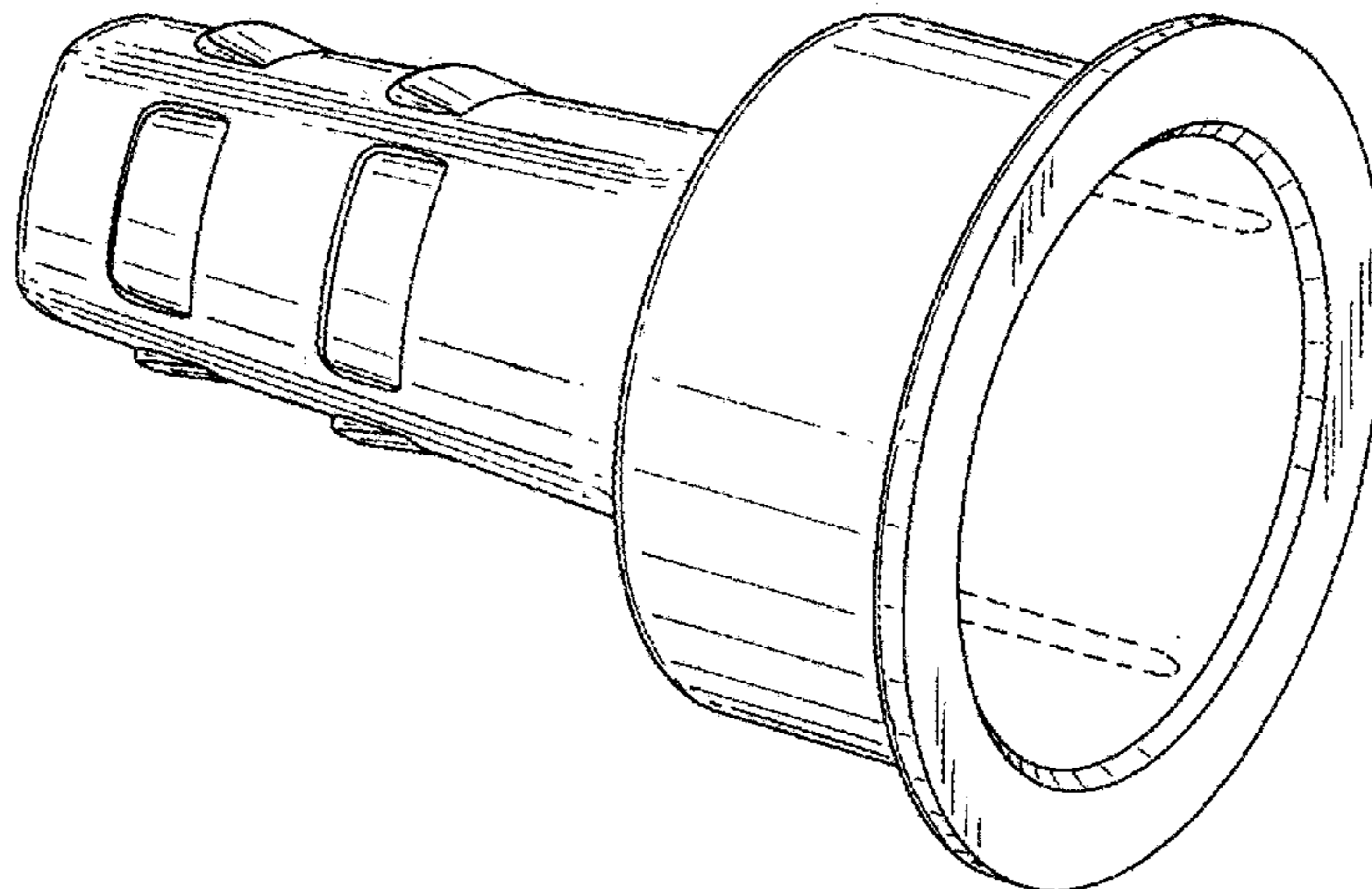
(57) **CLAIM**

The ornamental design for a pen needle inner shield, as shown and described.

DESCRIPTION

FIG. 1 is a bottom perspective view of a pen needle inner shield embodying our new design;
FIG. 2 is a top perspective view of the pen needle inner shield shown in FIG. 1;
FIG. 3 is a bottom view of the pen needle inner shield shown in FIGS. 1 and 2;
FIG. 4 is a side view of the pen needle inner shield shown in FIGS. 1-3;
FIG. 5 is a top view of pen needle inner shield shown in FIGS. 1-4; and,
FIG. 6 is a side cross-sectional view, taken along the line 6-6 in FIG. 3, of the pen needle inner shield shown in FIGS. 1-5. The dashed broken lines in the drawings represent portions of the pen needle inner shield that form no part of the claimed design.

1 Claim, 3 Drawing Sheets



(56)

References Cited

U.S. PATENT DOCUMENTS

D332,490 S 1/1993 Brown et al.
 D338,955 S 8/1993 Gresl et al.
 D369,409 S 4/1996 Salter
 D369,857 S 5/1996 Booth
 5,941,857 A 8/1999 Nguyen et al.
 5,968,021 A 10/1999 Ejlersen
 5,971,966 A 10/1999 Lav
 D461,244 S 8/2002 Niermann
 D494,677 S 8/2004 Garvin
 D581,049 S * 11/2008 Sudo D24/130
 7,665,605 B2 2/2010 Erickson et al.
 D612,493 S 3/2010 Claessens et al.
 7,871,397 B2 1/2011 Schraga
 D647,627 S * 10/2011 Wilkinson D24/224
 D649,241 S * 11/2011 Kunishige D24/129
 8,133,202 B2 3/2012 Marsh
 D667,951 S * 9/2012 Marshall D24/130
 D669,579 S 10/2012 Marshall et al.
 8,287,492 B2 10/2012 Schraga
 8,529,518 B2 9/2013 Larsen et al.
 8,672,902 B2 3/2014 Ruan et al.
 D713,029 S 9/2014 Shiraishi et al.
 D713,958 S 9/2014 Srinivasan et al.
 8,834,415 B2 9/2014 Schraga
 8,858,507 B2 10/2014 Nielsen et al.
 D725,750 S * 3/2015 Mezzalira D23/259
 D737,963 S 9/2015 Srinivasan et al.
 D745,668 S 12/2015 Shiraishi et al.
 D751,192 S 3/2016 She et al.
 D760,893 S * 7/2016 Honda D24/130
 2003/0105434 A1 * 6/2003 Chang A61M 5/3271
 604/198

2004/0111067 A1 6/2004 Kirchhofer
 2006/0173408 A1 * 8/2006 Wyrick A61M 5/2033
 604/110
 2007/0123830 A1 * 5/2007 Johannes Fierkens
 A61M 5/322
 604/240
 2007/0250016 A1 * 10/2007 Pech A61M 5/3202
 604/198
 2008/0210890 A1 * 9/2008 Fago A61M 5/1785
 250/506.1
 2009/0069755 A1 3/2009 Horvath
 2012/0029440 A1 2/2012 Boyd et al.
 2012/0071835 A1 3/2012 Marshall et al.
 2014/0188046 A1 * 7/2014 DiBiasi A61M 5/3202
 604/111
 2015/0011974 A1 1/2015 Schraga
 2015/0086441 A1 * 3/2015 She A61L 2/18
 422/294
 2015/0297837 A1 10/2015 Schraga
 2015/0320941 A1 11/2015 Horvath

FOREIGN PATENT DOCUMENTS

WO WO-2014167340 10/2014
 WO WO-2015078870 6/2015
 WO WO-2015085031 6/2015
 WO WO-2016123494 8/2016

OTHER PUBLICATIONS

Meet NovoFine(R) Plus: The 32G 4 mm pen needle that makes injections a little friendlier, Dec. 2013.

* cited by examiner

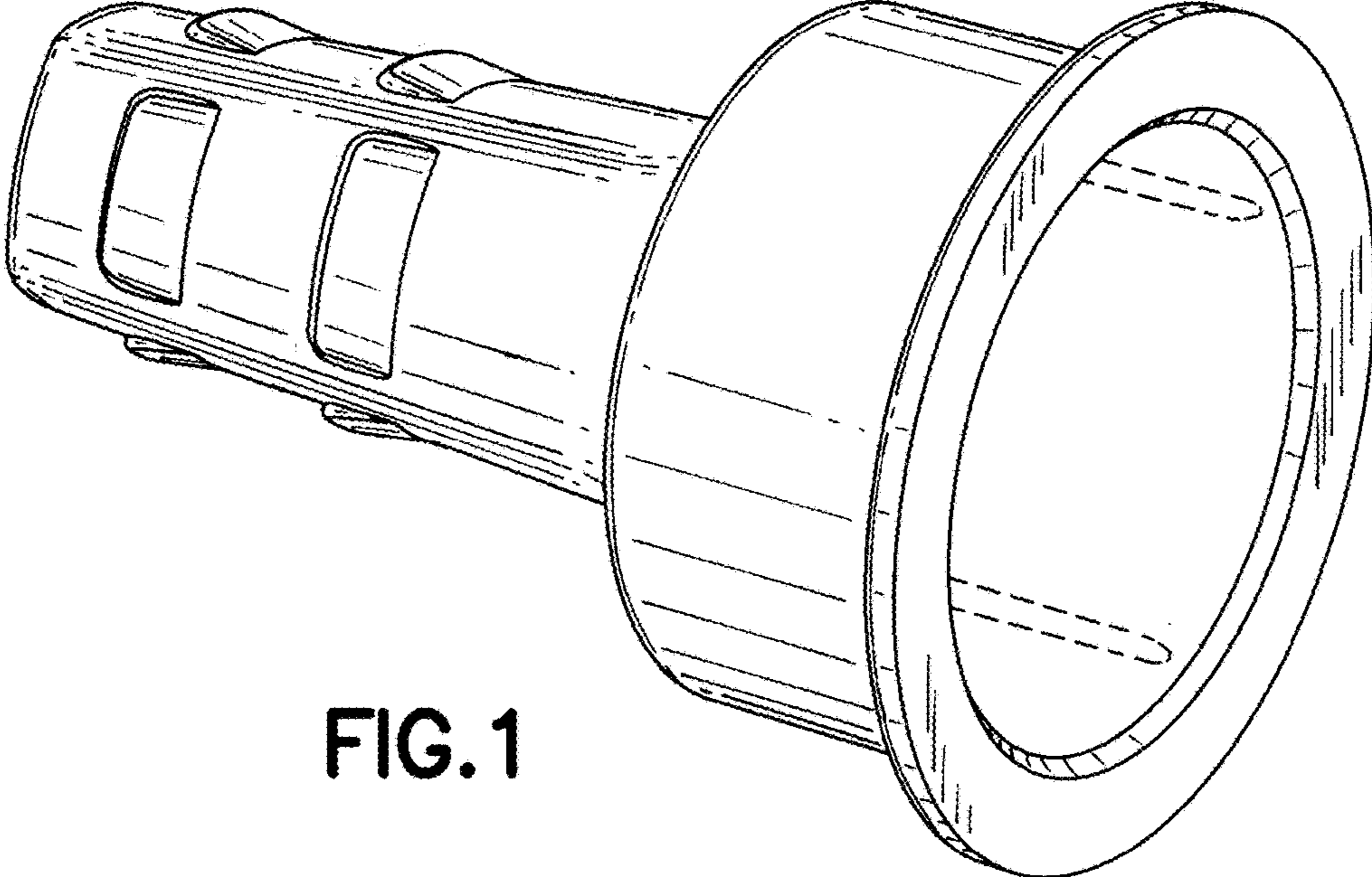


FIG. 1

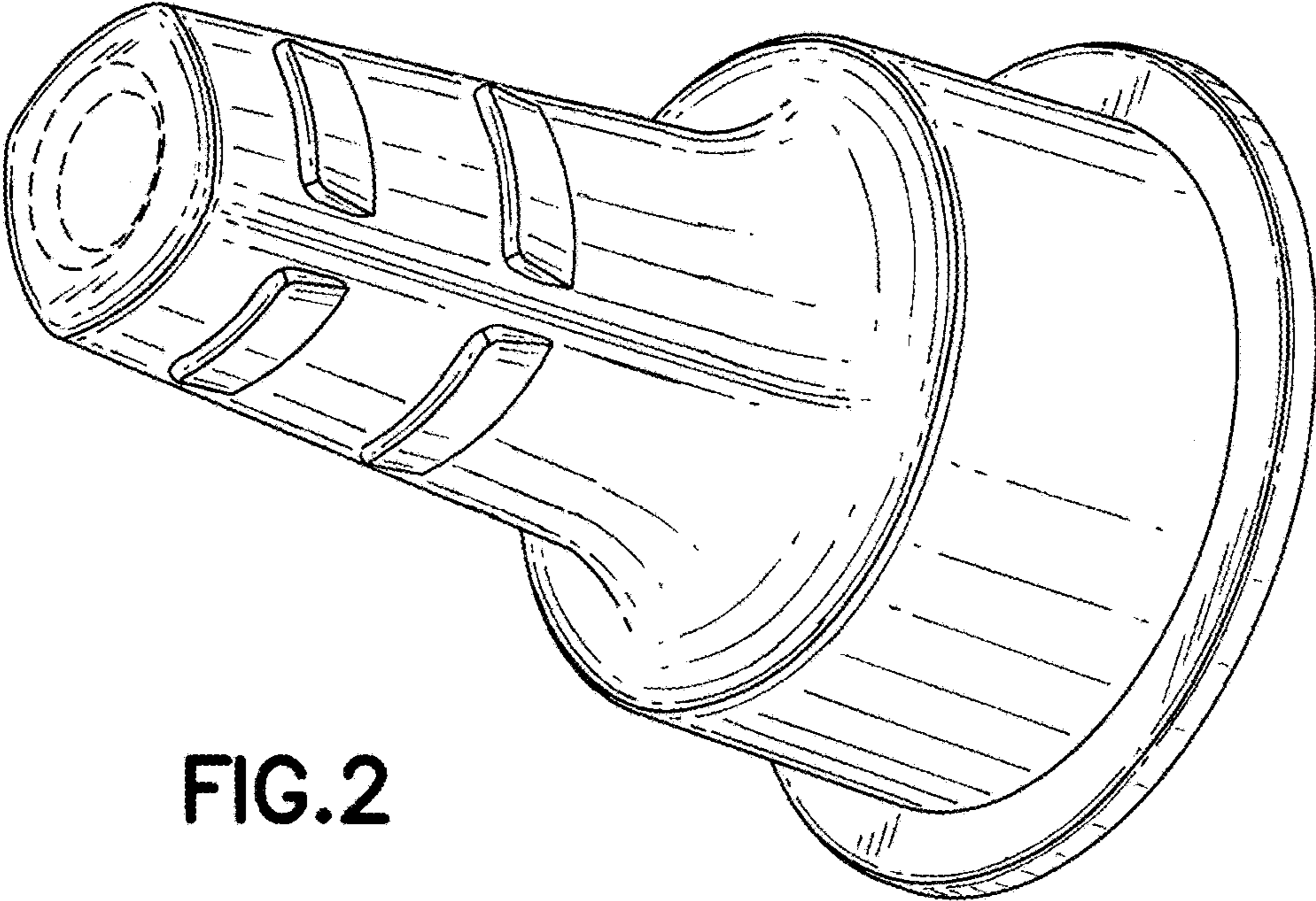


FIG. 2

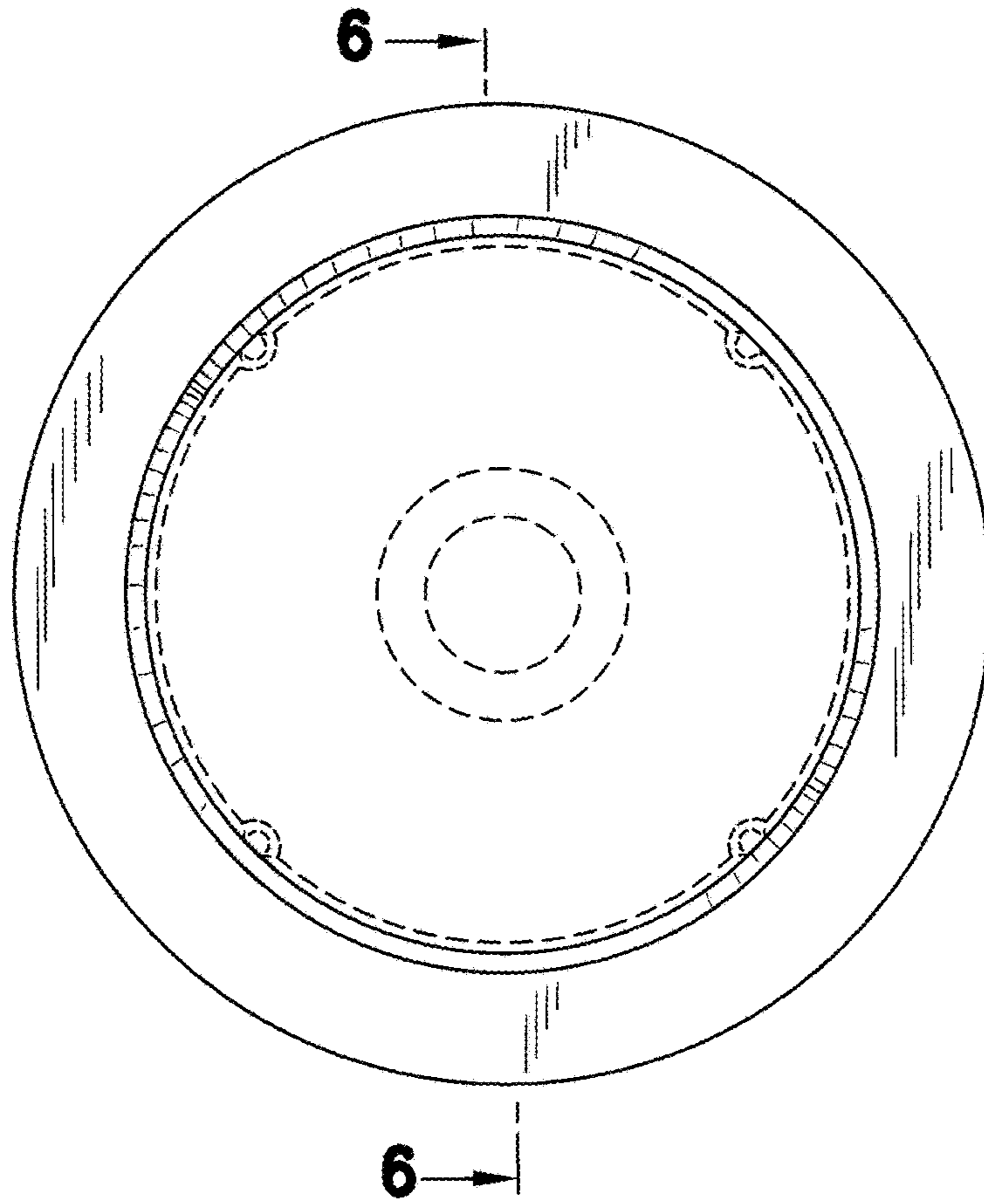


FIG.3

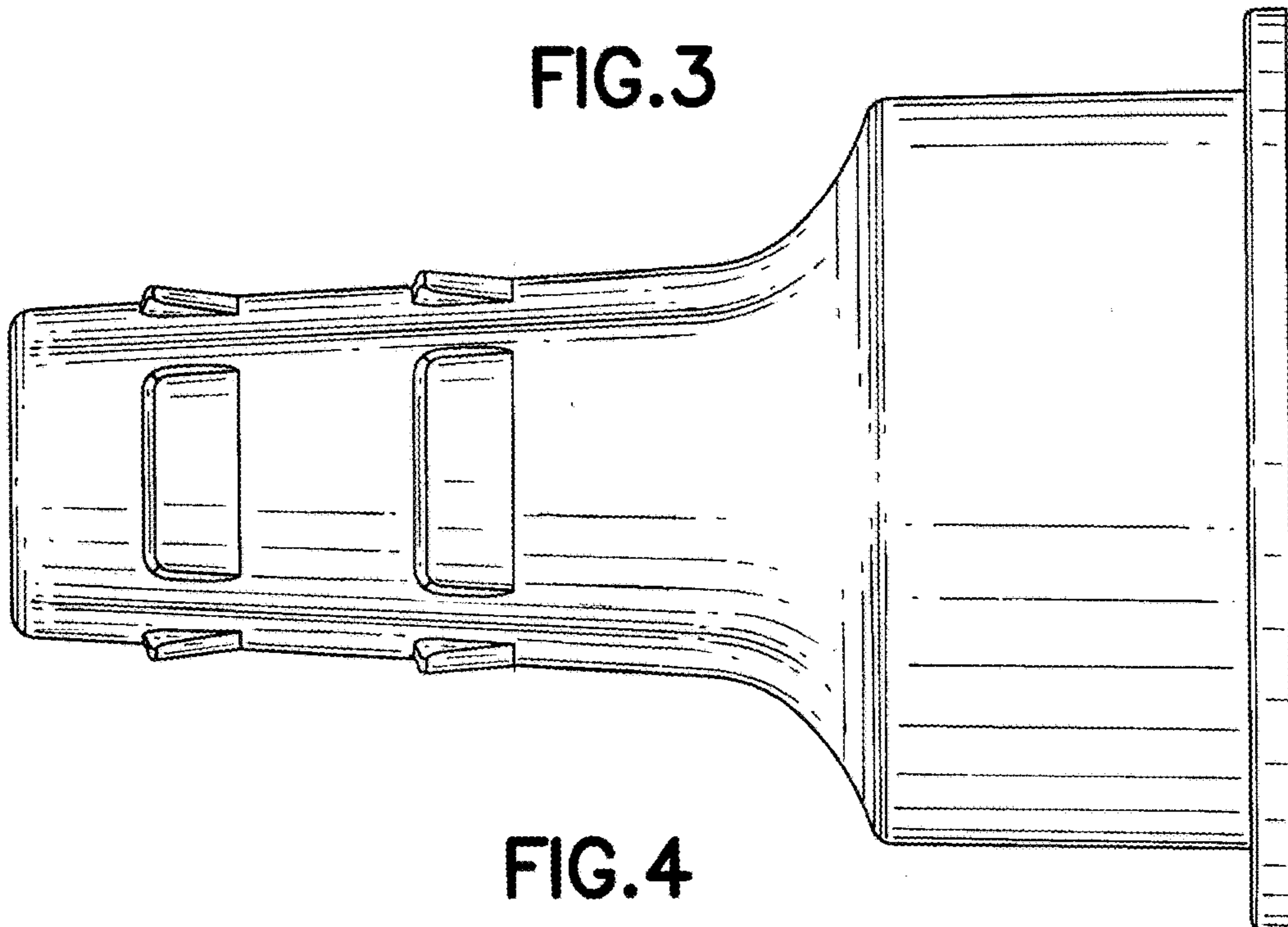


FIG.4

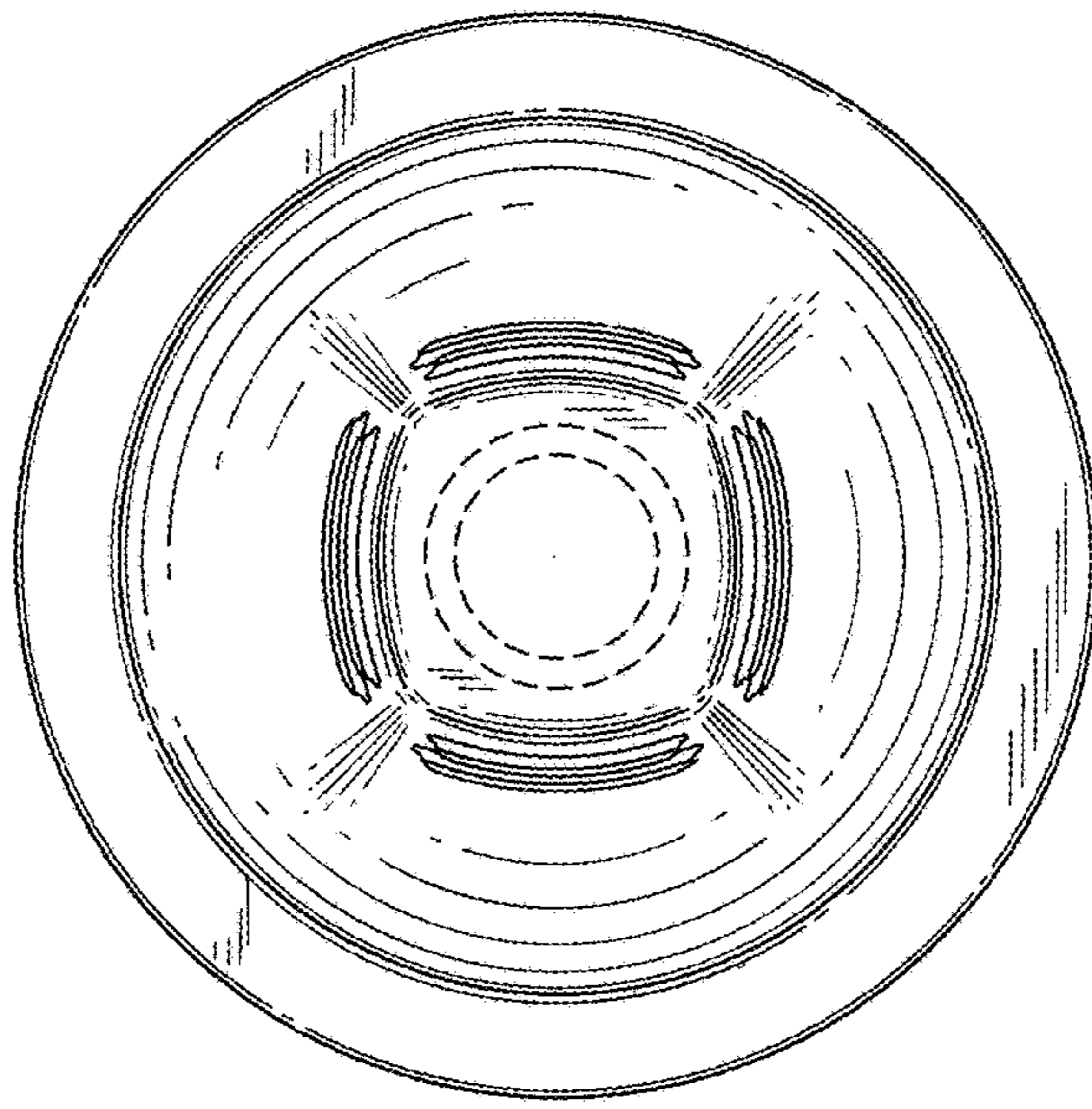


FIG. 5

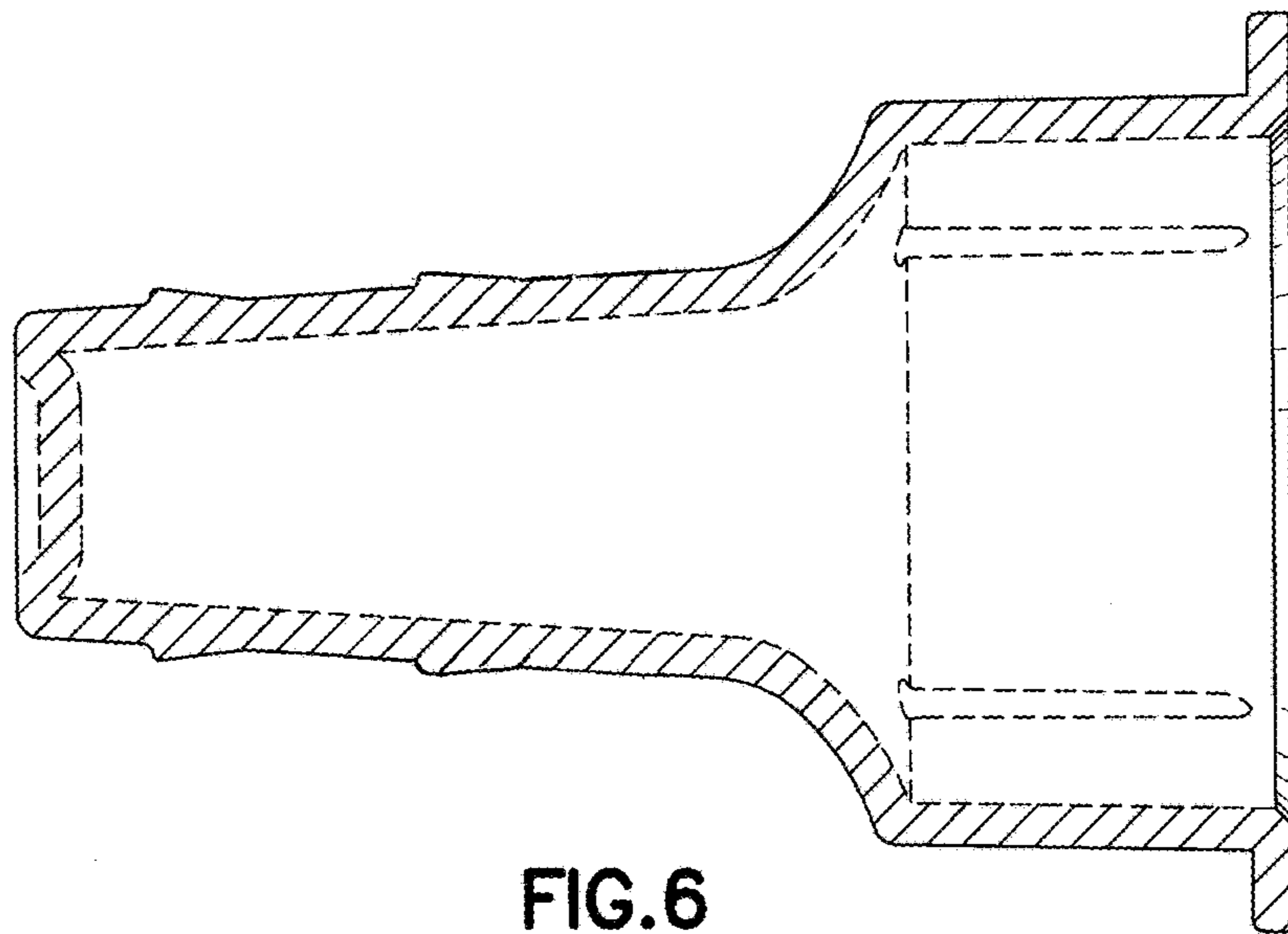


FIG. 6