



US00D804022S

(12) **United States Design Patent** (10) **Patent No.:** **US D804,022 S**  
**Schweikert et al.** (45) **Date of Patent:** **\*\* Nov. 28, 2017**

(54) **HUBER SAFETY NEEDLE**  
(71) Applicant: **Medical Components INC.**,  
Harleysville, PA (US)  
(72) Inventors: **Timothy M. Schweikert**, Levittown,  
PA (US); **Mark S. Fisher**, Sellersville,  
PA (US); **Kevin Sanford**, Chalfont, PA  
(US)  
(73) Assignee: **Medical Components, Inc.**,  
Harleysville, PA (US)  
(\*\*) Term: **14 Years**

5,322,517 A 6/1994 Sircom et al.  
5,328,482 A 7/1994 Sircom et al.  
5,382,240 A 1/1995 Lam  
5,531,704 A 7/1996 Knotek  
5,611,781 A 3/1997 Sircom et al.  
5,662,610 A 9/1997 Sircom  
5,697,907 A 12/1997 Gaba  
5,743,883 A 4/1998 Visconti  
5,879,337 A 3/1999 Kuracina et al.  
5,925,020 A 7/1999 Nestell  
5,951,522 A 9/1999 Rosato et al.  
5,951,525 A 9/1999 Thorne et al.  
5,997,504 A 12/1999 Bell  
6,001,080 A 12/1999 Kuracina et al.  
6,117,108 A 9/2000 Woehr et al.

(Continued)

(21) Appl. No.: **29/518,935**  
(22) Filed: **Feb. 27, 2015**  
(51) **LOC (10) Cl.** ..... **24-02**  
(52) **U.S. Cl.**  
USPC ..... **D24/130**  
(58) **Field of Classification Search**  
USPC ..... D24/127-131, 112-114, 133, 186;  
606/181, 185; 604/264, 523-528, 272,  
604/187, 158, 164.01-164.11, 181, 184,  
604/227; 600/101, 139, 143;  
128/200.24, 207.14, 207.15  
CPC ..... A61M 25/00; A61M 39/00; A61M 27/00;  
A61M 25/0043; A61M 25/0067; A61M  
25/0097; A61F 2/958  
See application file for complete search history.

**FOREIGN PATENT DOCUMENTS**

CN 101415453 C6 4/2009  
EP 1116493 7/2001

(Continued)

*Primary Examiner* — David Muller

(74) *Attorney, Agent, or Firm* — Buchanan Ingersoll &  
Rooney PC

(57) **CLAIM**

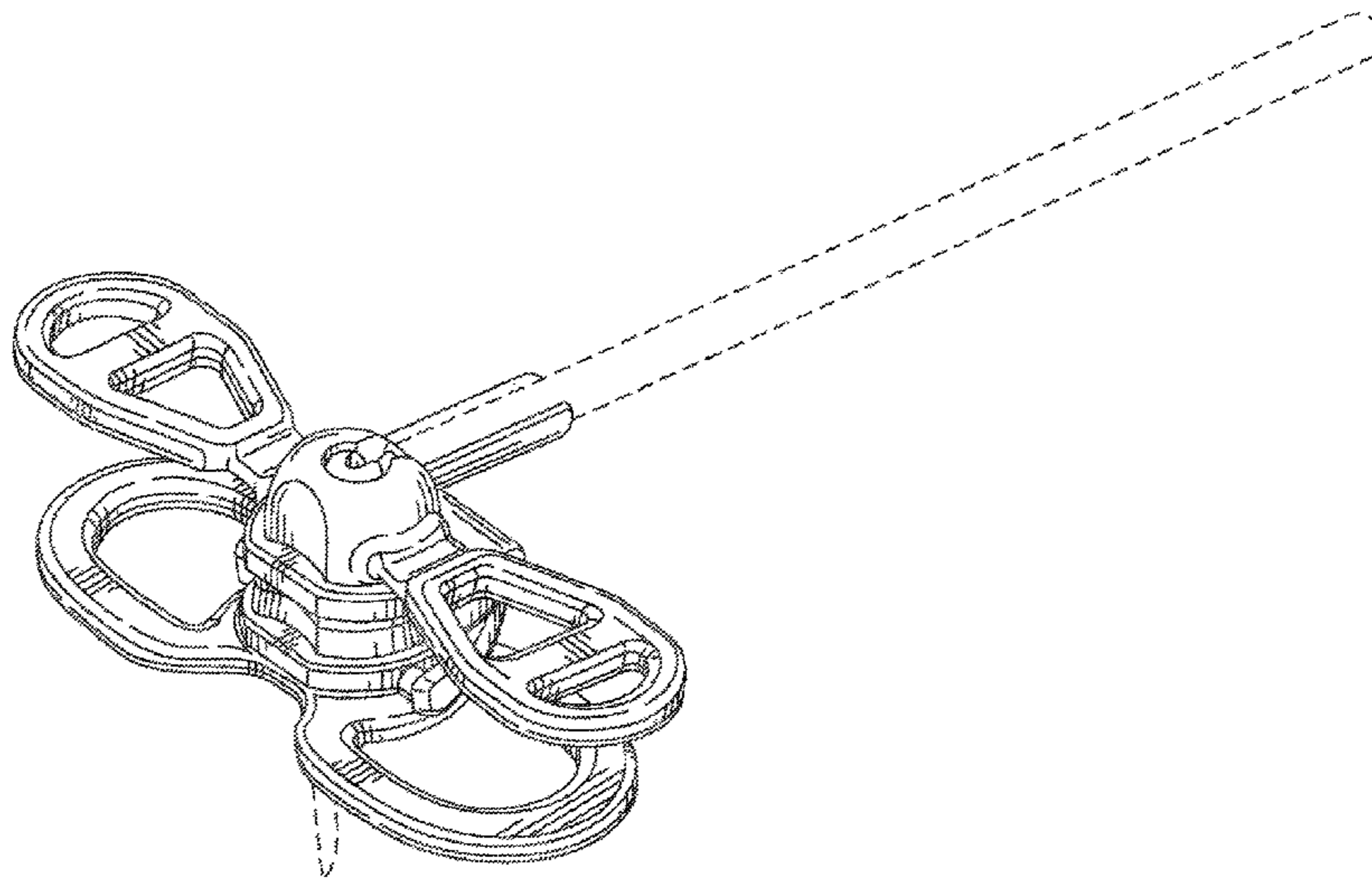
The ornamental design for a huber safety needle, as shown  
and described.

**DESCRIPTION**

FIG. 1 illustrates an enlarged perspective view of a huber  
safety needle showing our new design;  
FIG. 2 is a rear elevational view thereof;  
FIG. 3 is a front elevational view thereof;  
FIG. 4 is a top plan view thereof;  
FIG. 5 is a bottom plan view thereof; and,  
FIG. 6 is a left side elevational view thereof, the right side  
being a mirror image.  
Broken lines are for illustrating unclaimed portions of the  
article and form no part of the claimed design.

**1 Claim, 5 Drawing Sheets**

(56) **References Cited**  
**U.S. PATENT DOCUMENTS**  
4,627,843 A 12/1986 Raines  
4,735,618 A 4/1988 Hagen  
4,737,144 A 4/1988 Choksi  
4,887,998 A 12/1989 Martin et al.  
4,978,344 A 12/1990 Dombrowski et al.  
5,059,180 A 10/1991 McLees  
5,171,303 A 12/1992 DeCamp  
5,300,046 A 4/1994 Scarfone et al.



(56)

**References Cited**

U.S. PATENT DOCUMENTS

6,254,575 B1 7/2001 Thorne, Jr. et al.  
 6,261,259 B1 7/2001 Bell  
 6,280,420 B1 8/2001 Ferguson et al.  
 6,287,278 B1 9/2001 Woehr et al.  
 6,443,929 B1 9/2002 Kuracina et al.  
 6,537,255 B1 3/2003 Raines  
 6,592,556 B1 7/2003 Thorne  
 6,595,955 B2 7/2003 Ferguson et al.  
 6,613,015 B2 9/2003 Sandstrom et al.  
 6,616,630 B1 9/2003 Woehr et al.  
 6,623,462 B2 9/2003 Guzzo et al.  
 6,629,959 B2 10/2003 Kuracina et al.  
 6,676,633 B2 1/2004 Smith et al.  
 6,719,721 B1 4/2004 Okazaki et al.  
 6,719,731 B2 4/2004 Parmigiani  
 6,796,962 B2 9/2004 Ferguson et al.  
 6,796,968 B2 9/2004 Ferguson et al.  
 6,824,530 B2 11/2004 Wagner et al.  
 6,860,871 B2 3/2005 Kuracina et al.  
 6,878,136 B2 4/2005 Fleury et al.  
 6,884,224 B2 4/2005 Dalton  
 6,902,546 B2 6/2005 Ferguson  
 6,918,894 B2 7/2005 Fleury et al.  
 6,926,693 B2 8/2005 Enns  
 6,932,803 B2 8/2005 Newby  
 6,949,086 B2 9/2005 Ferguson et al.  
 6,969,372 B1 11/2005 Halseth  
 6,984,213 B2 1/2006 Horner et al.  
 6,997,902 B2 2/2006 Thorne et al.  
 7,004,927 B2 2/2006 Ferguson et al.  
 7,008,402 B2 3/2006 Ferguson et al.  
 7,029,461 B2 4/2006 Ferguson et al.  
 7,097,637 B2 8/2006 Triplett et al.  
 7,125,397 B2 10/2006 Woehr et al.  
 7,125,398 B2 10/2006 Garcia  
 7,144,389 B2 12/2006 Ferguson et al.  
 7,179,244 B2 2/2007 Smith et al.  
 7,198,618 B2 4/2007 Ferguson et al.  
 7,214,211 B2 5/2007 Woehr et al.  
 7,226,434 B2 6/2007 Carlyon  
 7,264,613 B2 9/2007 Woehr et al.  
 7,291,135 B2 11/2007 Ono  
 7,341,573 B2 3/2008 Ferguson et al.  
 7,347,842 B2 3/2008 Thorne et al.  
 7,357,784 B2 4/2008 Ferguson  
 7,413,562 B2 8/2008 Ferguson et al.  
 7,422,573 B2 9/2008 Wilkinson et al.  
 7,438,703 B2 10/2008 Barrus et al.  
 7,455,664 B2 11/2008 Fleury et al.  
 7,458,954 B2 12/2008 Ferguson et al.  
 7,534,231 B2 5/2009 Kuracina et al.  
 7,549,979 B2 6/2009 Enns et al.  
 7,569,044 B2 8/2009 Triplett et al.  
 7,608,057 B2 10/2009 Woehr et al.  
 7,611,485 B2 11/2009 Ferguson  
 7,611,487 B2 11/2009 Woehr et al.  
 7,618,395 B2 11/2009 Ferguson  
 7,625,360 B2 12/2009 Woehr et al.  
 7,717,888 B2 5/2010 Vaillancourt et al.  
 7,758,544 B2 7/2010 Solomon et al.

7,762,992 B2 7/2010 Triplett et al.  
 7,776,016 B1 8/2010 Halseth  
 7,858,774 B2 12/2010 Ionescu et al.  
 7,927,314 B2 4/2011 Kuracina et al.  
 8,002,746 B2 8/2011 Erskine  
 8,496,626 B2 7/2013 Hiraoka et al.  
 8,500,703 B2 8/2013 Lambert  
 8,574,197 B2 11/2013 Halseth et al.  
 8,834,422 B2 9/2014 Walker et al.  
 9,248,234 B2 2/2016 Barron  
 2002/0099338 A1 7/2002 Young  
 2002/0173749 A1 11/2002 Wagner et al.  
 2003/0114797 A1 6/2003 Vaillancourt et al.  
 2003/0163097 A1 8/2003 Fleury et al.  
 2004/0049159 A1 3/2004 Barrus et al.  
 2004/0082922 A1 4/2004 Fleury et al.  
 2004/0087912 A1 5/2004 Swenson  
 2004/0147881 A1 7/2004 Hyun  
 2004/0167477 A1 8/2004 Wilkinson et al.  
 2005/0080386 A1 4/2005 Reid  
 2006/0129106 A1 6/2006 Ferguson et al.  
 2007/0010622 A1 1/2007 Naito et al.  
 2007/0106222 A1 5/2007 Bennett  
 2007/0282275 A1 12/2007 Ferguson et al.  
 2008/0097304 A1 4/2008 Thorne  
 2008/0119795 A1 5/2008 Erskine  
 2008/0171986 A1 7/2008 Baid  
 2008/0208139 A1 8/2008 Scheurer et al.  
 2008/0262434 A1 10/2008 Vaillancourt  
 2009/0062744 A1 3/2009 Weilbacher et al.  
 2009/0137958 A1 5/2009 Erskine  
 2009/0163875 A1 6/2009 Hiraoka et al.  
 2009/0249605 A1 10/2009 Erskine  
 2010/0137815 A1 6/2010 Kuracina et al.  
 2010/0280413 A1 11/2010 Ferguson et al.  
 2011/0166526 A1 7/2011 Kuracina et al.  
 2011/0220274 A1 9/2011 Erskine  
 2012/0123332 A1 5/2012 Erskine

FOREIGN PATENT DOCUMENTS

EP 1 430 921 A2 6/2004  
 EP 2 016 964 A1 1/2009  
 EP 2609953 A1 7/2013  
 EP 2827924 A1 1/2015  
 JP 2003299735 A2 10/2003  
 JP 2004-195227 A 7/2004  
 JP 2008212645 A2 9/2008  
 JP 2009142658 A2 7/2009  
 JP 2003275310 A2 9/2009  
 JP 2010207634 A2 9/2010  
 JP 2011115615 A2 6/2011  
 JP 2013138853 A2 7/2013  
 JP 2015134156 A2 7/2015  
 WO 99/07424 A1 2/1999  
 WO 02/087672 A1 11/2002  
 WO 2005049109 A1 2/2005  
 WO 2005/120624 A1 12/2005  
 WO 2006/096633 A1 9/2006  
 WO 2006/096634 A1 9/2006  
 WO 2006/096635 A1 9/2006  
 WO 2006/096636 A1 9/2006  
 WO 2010/101573 A1 9/2010

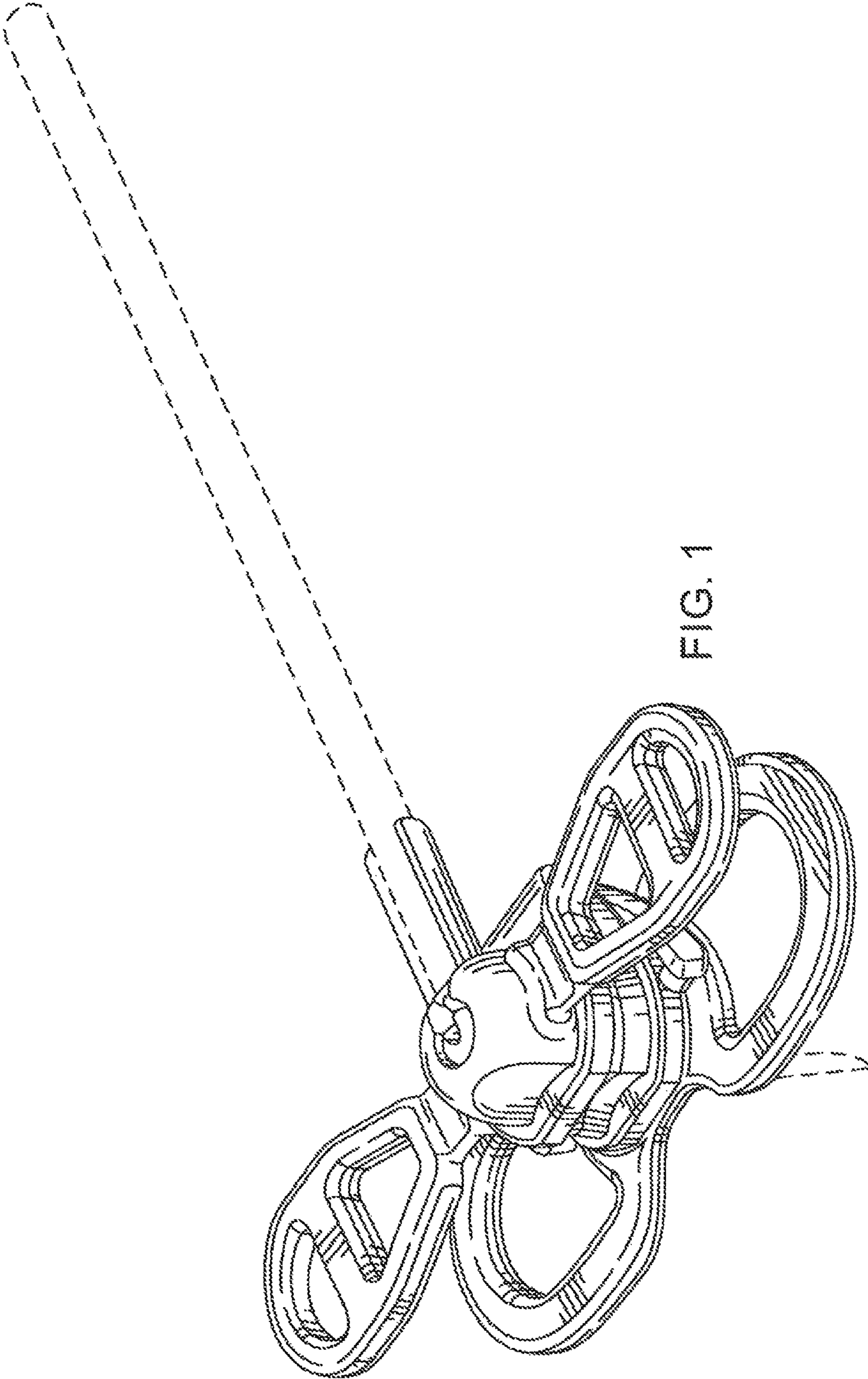


FIG. 1

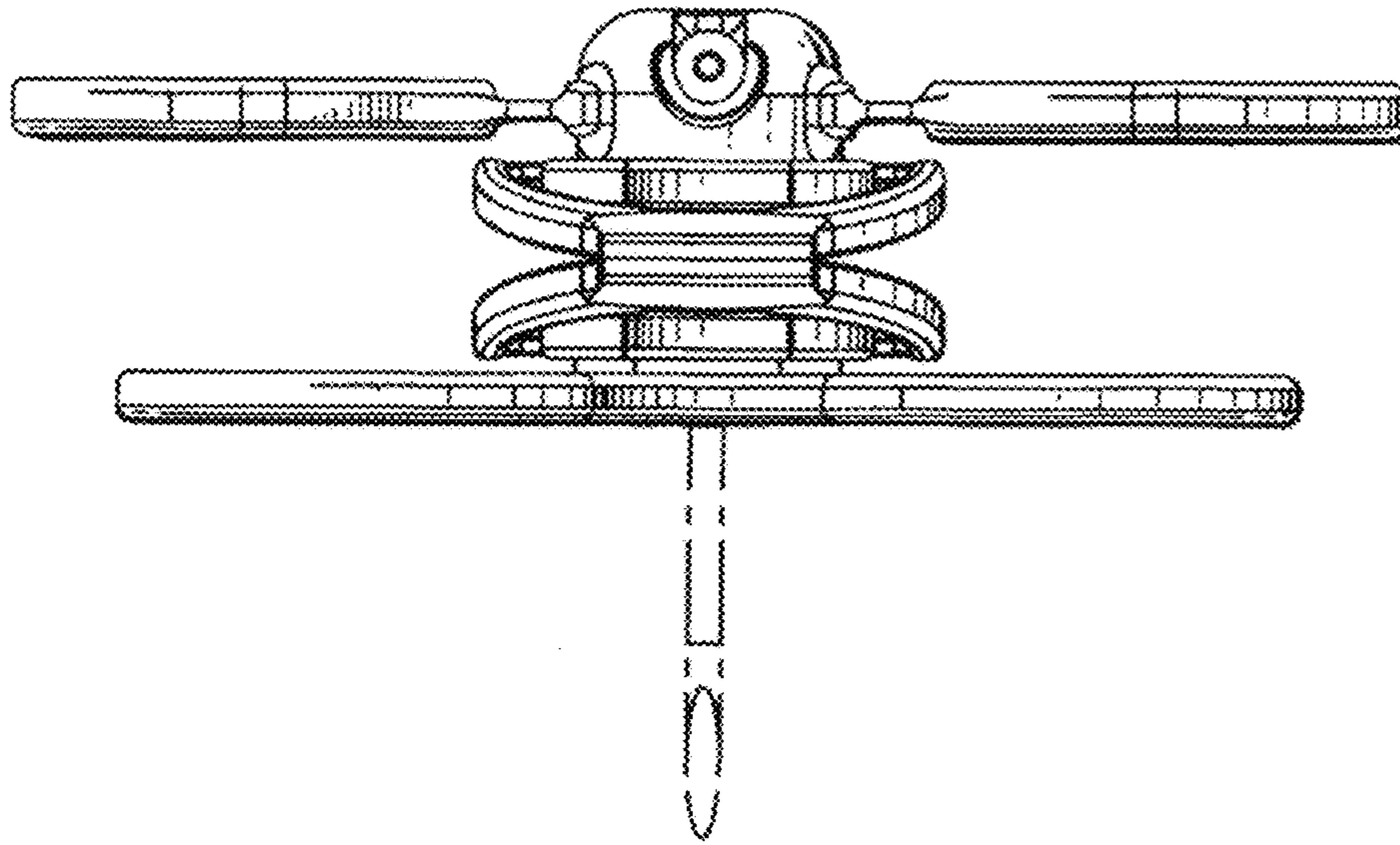


FIG. 2

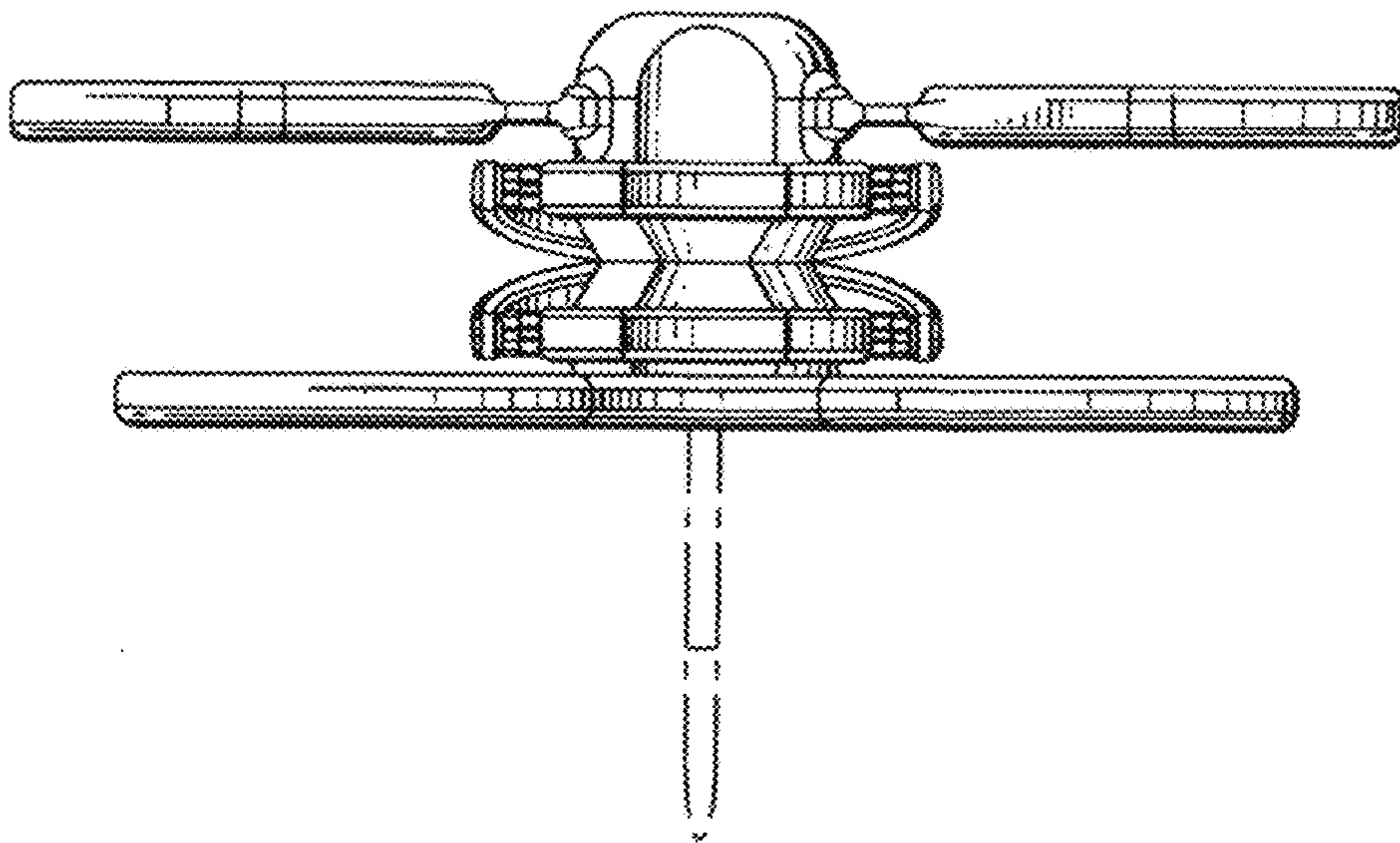


FIG. 3

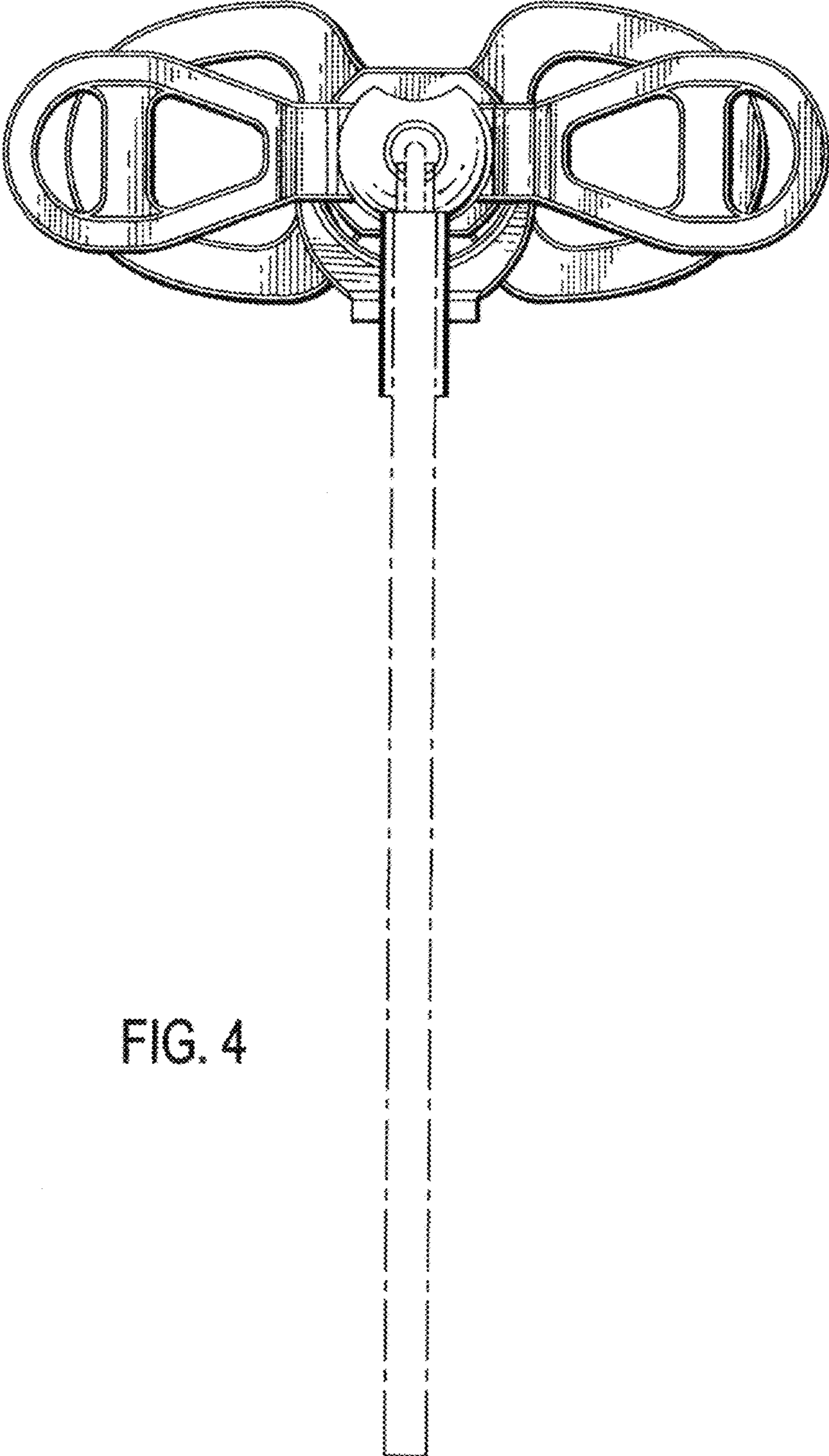


FIG. 4

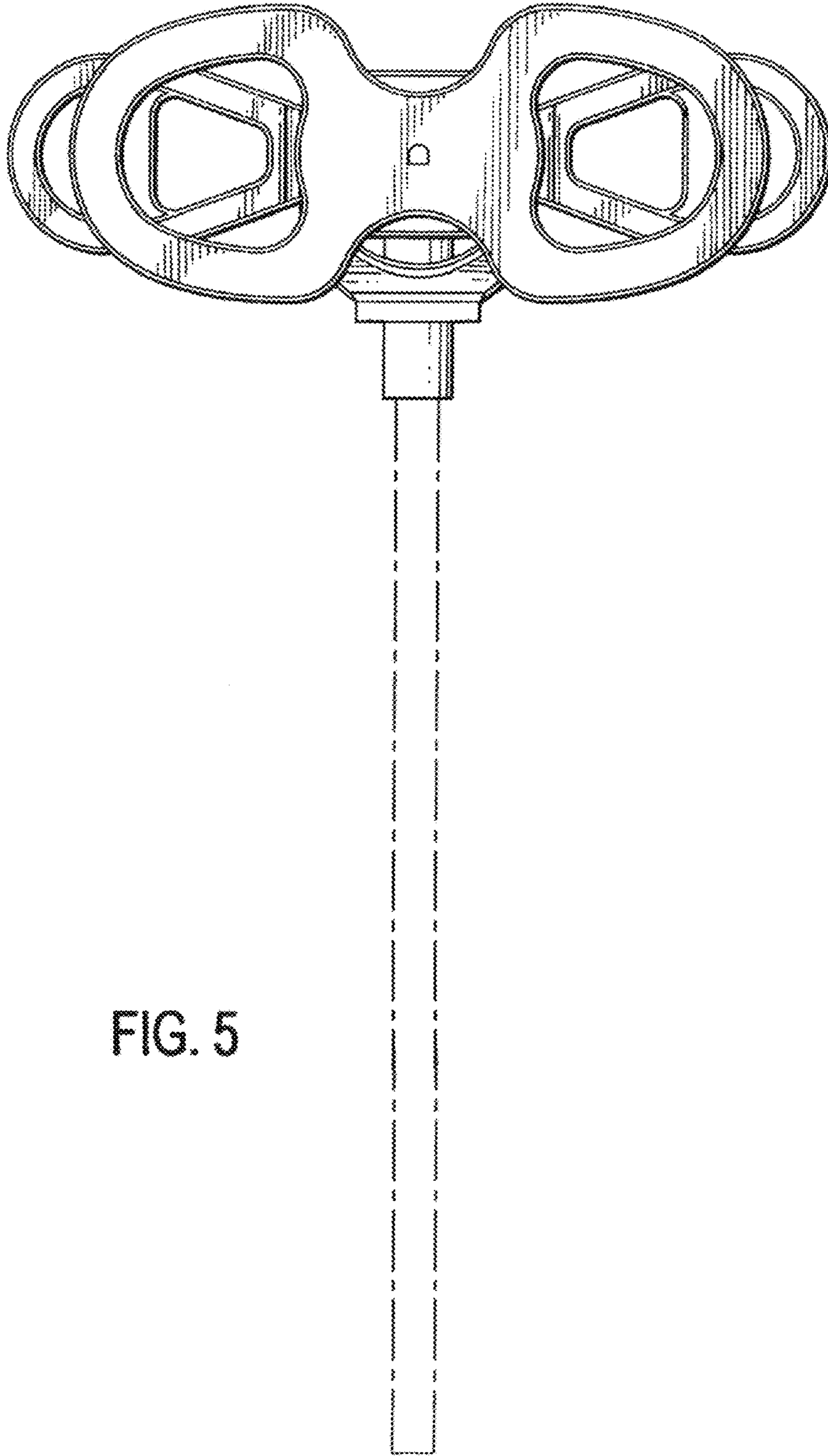


FIG. 5

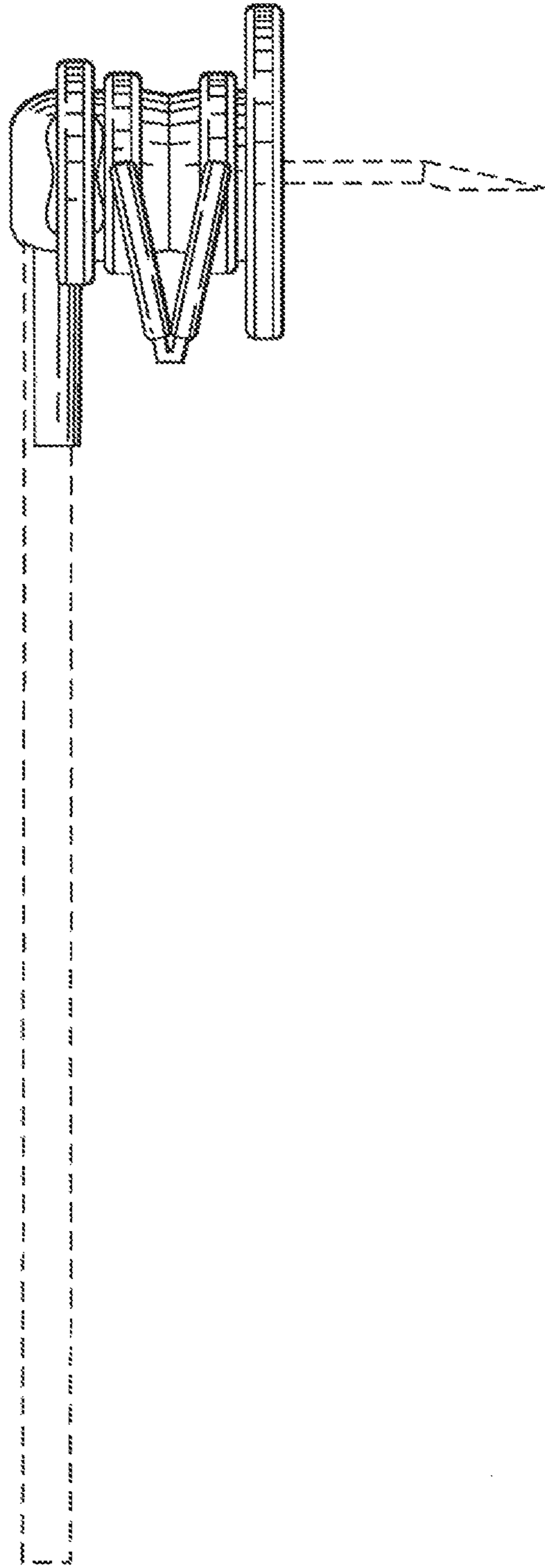


FIG. 6