



US00D804018S

(12) **United States Design Patent** (10) **Patent No.:** **US D804,018 S**
Senff et al. (45) **Date of Patent:** **** Nov. 28, 2017**

(54) **BASE FOR AN ORAL IRRIGATOR**

FOREIGN PATENT DOCUMENTS

(71) Applicant: **WATER PIK, INC.**, Fort Collins, CO (US)

CA 851479 9/1970
CH 655237 4/1986

(Continued)

(72) Inventors: **Oscar Senff**, Broomfield, CO (US);
Heman Au, Seattle, WA (US); **Jeffrey Ladwig**, Seattle, WA (US)

OTHER PUBLICATIONS

US RE27,274, 01/1972, Mattingly (withdrawn)
(Continued)

(73) Assignee: **Water Pik, Inc.**, Fort Collins, CO (US)

(**) Term: **15 Years**

Primary Examiner — Garth Rademaker

Assistant Examiner — Lilyana Bekic

(21) Appl. No.: **29/571,570**

(74) *Attorney, Agent, or Firm* — Dorsey & Whitney LLP

(22) Filed: **Jul. 19, 2016**

(51) **LOC (10) Cl.** **24-02**

(52) **U.S. Cl.**
USPC **D24/111**

(58) **Field of Classification Search**

USPC D24/108, 111–113, 133, 152, 176;
D4/101, 138; D23/356, 359, 360, 386;
D9/432, 414; D3/203.1, 201, 200, 203.6
CPC A61C 17/0205; A61C 17/0202; A61C
17/224; A61C 17/20; A61C 17/005; A61C
17/028; A61C 17/02; A61C 17/36; A61C
17/00; A61C 17/0211; A61C 17/0214;
A61C 17/28; A61C 17/043; A61C 17/22;
A61C 17/222; A61C 17/225

See application file for complete search history.

(57) **CLAIM**

We claim the ornamental design for a base for an oral irrigator, as shown and described.

DESCRIPTION

FIG. 1 is a front isometric view of a base for an oral irrigator showing our new design.

FIG. 2 is a rear isometric view of the base for an oral irrigator of FIG. 1.

FIG. 3 is a front elevation view of the base for an oral irrigator of FIG. 1.

FIG. 4 is a rear elevation view of the base for an oral irrigator of FIG. 1.

FIG. 5 is a left side elevation view of the base for an oral irrigator of FIG. 1.

FIG. 6 is a right side elevation view of the base for an oral irrigator of FIG. 1.

FIG. 7 is a top plan view of the base for an oral irrigator of FIG. 1; and,

FIG. 8 is a bottom plan view of the base for an oral irrigator of FIG. 1.

The broken lines in the drawings illustrate portions of the base for an oral irrigator and the bounds of the claim, and form no part of the claimed design.

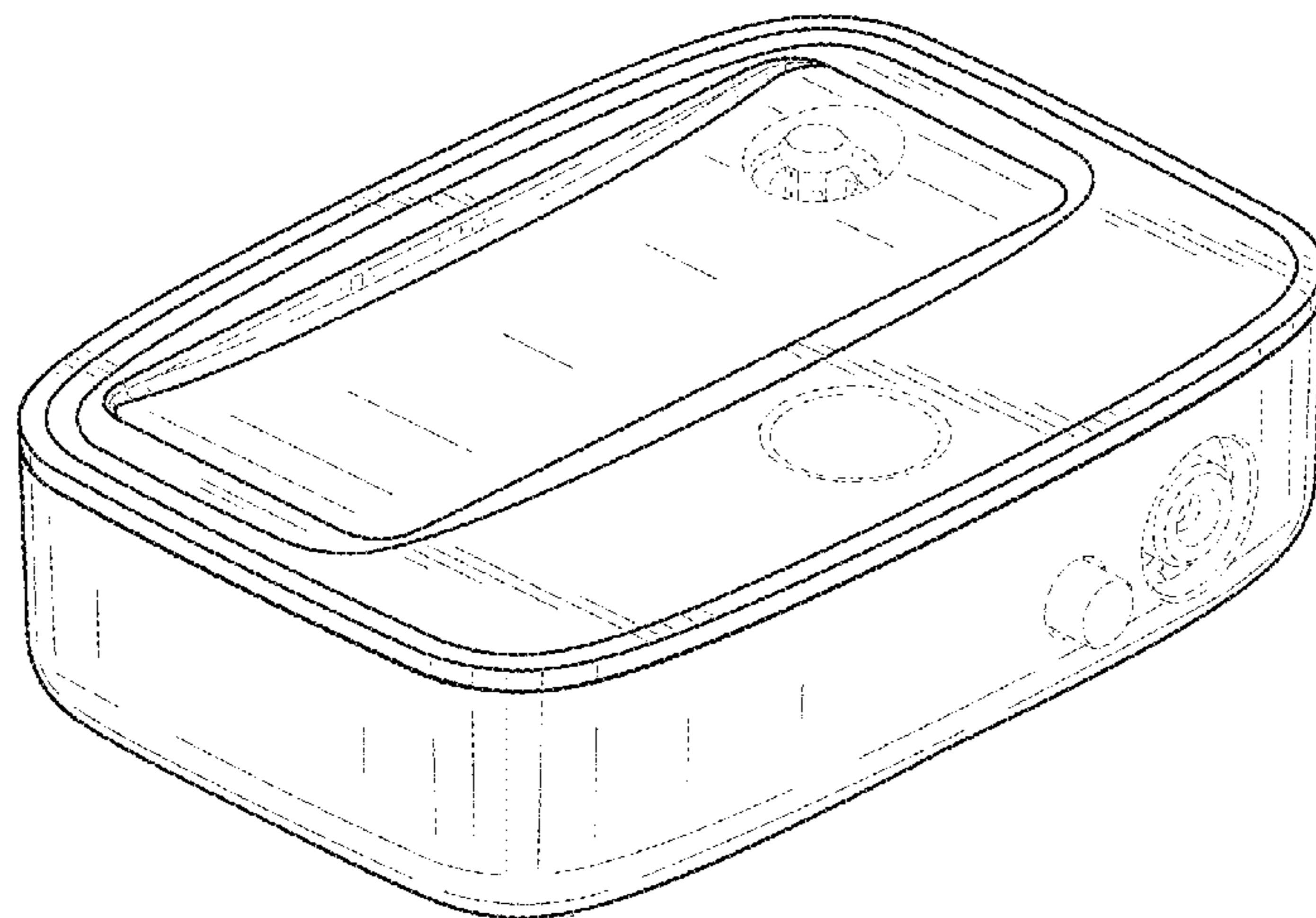
(56) **References Cited**

U.S. PATENT DOCUMENTS

555,588 A 3/1896 Spencer
1,278,225 A 9/1918 Schamberg
1,452,258 A 4/1923 Smith
1,464,419 A 8/1923 Gill
1,480,310 A 1/1924 Smith
1,498,267 A 6/1924 Hachman
1,650,686 A 11/1927 Binks
1,669,889 A 5/1928 Andrews et al.

(Continued)

1 Claim, 6 Drawing Sheets



(56)

References Cited

U.S. PATENT DOCUMENTS

| | | | | | |
|-------------|---------|----------------------|---------------|---------|---------------------------------------|
| 1,681,320 A | 8/1928 | Bergl et al. | 3,809,977 A | 5/1974 | Balamuth et al. |
| 1,933,454 A | 10/1933 | Sidney | 3,811,432 A | 5/1974 | Moret |
| 1,940,111 A | 12/1933 | Austin | 3,820,532 A | 6/1974 | Eberhardt et al. |
| D93,019 S | 8/1934 | Hose | 3,827,147 A | 8/1974 | Condon |
| 1,977,782 A | 10/1934 | Roy | 3,837,166 A | 9/1974 | Hiraoka |
| 2,107,686 A | 2/1938 | Bramsen et al. | 3,840,795 A | 10/1974 | Roszyk et al. |
| D159,872 S | 8/1950 | Skold | 3,847,145 A | 11/1974 | Grossan |
| 2,531,730 A | 11/1950 | Henderson | 3,854,209 A | 12/1974 | Franklin et al. |
| 2,595,666 A | 5/1952 | Hutson | 3,863,628 A | 2/1975 | Vit |
| 2,669,233 A | 2/1954 | Friend | 3,871,560 A | 3/1975 | Crippa |
| 2,709,227 A | 5/1955 | Foley et al. | 3,874,506 A | 4/1975 | Hill et al. |
| 2,783,919 A | 3/1957 | Ansell | 3,912,125 A | 10/1975 | Acklin |
| 2,794,437 A | 6/1957 | Tash | 3,943,628 A | 3/1976 | Kronman et al. |
| 2,870,932 A | 1/1959 | Davis | 3,959,883 A | 6/1976 | Walls et al. |
| 2,984,452 A | 5/1961 | Hooper | 3,973,558 A | 8/1976 | Stouffer et al. |
| 3,089,490 A | 5/1963 | Goldberg | 3,977,084 A | 8/1976 | Sloan |
| 3,096,913 A | 7/1963 | Jousson | 4,001,526 A | 1/1977 | Olson |
| 3,144,867 A | 8/1964 | Trupp et al. | 4,004,302 A | 1/1977 | Hori |
| D202,041 S | 8/1965 | Burzlauff | 4,007,739 A | 2/1977 | Bron et al. |
| 3,209,956 A | 10/1965 | McKenzie | 4,013,227 A | 3/1977 | Herrera |
| 3,216,619 A | 11/1965 | Richards et al. | 4,052,002 A | 10/1977 | Stouffer et al. |
| 3,225,759 A | 12/1965 | Drapen et al. | D246,667 S * | 12/1977 | Mackay 601/162 |
| 3,227,158 A | 1/1966 | Mattingly | D246,668 S * | 12/1977 | Mackay 601/162 |
| 3,266,623 A | 8/1966 | Poferl | 4,060,870 A | 12/1977 | Cannarella |
| 3,297,558 A | 1/1967 | Hillquist | 4,075,761 A | 2/1978 | Behne et al. |
| D207,778 S | 5/1967 | Koch | 4,078,558 A * | 3/1978 | Woog A61C 17/02 134/184 |
| D209,204 S | 11/1967 | St. Clair et al. | 4,094,311 A | 6/1978 | Hudson |
| D209,395 S | 11/1967 | Gilbert | 4,108,167 A * | 8/1978 | Hickman A61H 13/005 601/162 |
| D210,018 S | 1/1968 | Mattingly et al. | 4,108,178 A | 8/1978 | Betush |
| D210,019 S | 1/1968 | Johnson et al. | 4,109,650 A | 8/1978 | Peclard |
| 3,370,214 A | 2/1968 | Aymar | 4,122,845 A | 10/1978 | Stouffer et al. |
| 3,391,696 A | 7/1968 | Woodward | 4,135,501 A | 1/1979 | Leunissan |
| 3,393,673 A | 7/1968 | Mattingly et al. | 4,141,352 A | 2/1979 | Ebner et al. |
| 3,400,999 A | 9/1968 | Goldstein | 4,144,646 A | 3/1979 | Takemoto et al. |
| 3,418,552 A | 12/1968 | Holmes | 4,149,315 A | 4/1979 | Page, Jr. et al. |
| 3,420,228 A | 1/1969 | Kalbfeld | 4,154,375 A | 5/1979 | Bippus |
| 3,425,410 A | 2/1969 | Cammack | 4,160,383 A | 7/1979 | Rauschenberger |
| 3,453,969 A | 7/1969 | Mattingly | 4,171,572 A | 10/1979 | Nash |
| 3,465,751 A | 9/1969 | Powers | 4,182,038 A | 1/1980 | Fleer |
| 3,467,083 A | 9/1969 | Mattingly | 4,200,235 A | 4/1980 | Monschke |
| D215,920 S | 11/1969 | McCarty et al. | 4,201,200 A * | 5/1980 | Hubner A61C 17/02 206/218 |
| 3,487,828 A | 1/1970 | Troy | 4,215,476 A | 8/1980 | Armstrong |
| 3,489,268 A | 1/1970 | Meierhoefer | 4,219,618 A | 8/1980 | Leonard |
| 3,495,587 A | 2/1970 | Freedman | 4,227,878 A | 10/1980 | Lohn |
| 3,496,933 A | 2/1970 | Lloyd | 4,229,634 A * | 10/1980 | Hickman A61C 1/0092 200/16 D |
| 3,499,440 A | 3/1970 | Gibbs | 4,236,889 A | 12/1980 | Wright |
| 3,500,824 A | 3/1970 | Gilbert | D258,097 S | 2/1981 | Wistrand |
| 3,501,203 A | 3/1970 | Falk | 4,248,589 A | 2/1981 | Lewis |
| 3,502,072 A | 3/1970 | Stillman | 4,249,899 A | 2/1981 | Davis |
| 3,517,669 A | 6/1970 | Buono et al. | 4,257,458 A | 3/1981 | Kondo et al. |
| D218,270 S | 8/1970 | Soper | 4,262,799 A | 4/1981 | Perrett |
| 3,522,801 A | 8/1970 | Robinson | 4,266,934 A | 5/1981 | Pernot |
| 3,532,221 A | 10/1970 | Kaluhiokalani et al. | 4,276,023 A | 6/1981 | Phillips et al. |
| 3,536,065 A | 10/1970 | Moret | 4,276,880 A | 7/1981 | Malmin |
| 3,537,444 A | 11/1970 | Garn | 4,302,186 A * | 11/1981 | Cammack A61C 1/0092 433/80 |
| 3,538,950 A | 11/1970 | Porteners | 4,303,064 A | 12/1981 | Buffa |
| 3,547,110 A | 12/1970 | Balamuth | 4,303,070 A | 12/1981 | Ichikawa et al. |
| 3,561,433 A | 2/1971 | Kovach | 4,306,862 A | 12/1981 | Knox |
| D220,334 S | 3/1971 | Mackay et al. | 4,315,741 A | 2/1982 | Reichl |
| 3,570,525 A | 3/1971 | Borsum | 4,319,568 A | 3/1982 | Tregoning |
| 3,572,375 A | 3/1971 | Rosenberg | 4,331,422 A | 5/1982 | Heyman |
| 3,578,884 A | 5/1971 | Jacobson | 4,337,040 A * | 6/1982 | Cammack A61C 1/0092 433/80 |
| D220,996 S | 6/1971 | Irons | 4,340,365 A | 7/1982 | Pisanu |
| 3,583,609 A | 6/1971 | Oppenheimer | 4,340,368 A | 7/1982 | Lococo |
| 3,590,813 A | 7/1971 | Roszyk | D266,117 S | 9/1982 | Oberheim |
| 3,608,548 A | 9/1971 | Lewis | 4,353,694 A | 10/1982 | Pelerin |
| D222,862 S | 1/1972 | Cook | 4,363,626 A | 12/1982 | Schmidt et al. |
| 3,636,947 A | 1/1972 | Balamuth | 4,365,376 A | 12/1982 | Oda et al. |
| 3,651,576 A | 3/1972 | Massa | 4,370,131 A | 1/1983 | Banko |
| 3,669,101 A | 6/1972 | Kleiner | 4,374,354 A | 2/1983 | Petrovic et al. |
| 3,703,170 A | 11/1972 | Ryckman, Jr. | 4,382,167 A | 5/1983 | Maruyama et al. |
| 3,747,595 A | 7/1973 | Grossan | 4,382,786 A | 5/1983 | Lohn |
| 3,768,472 A | 10/1973 | Hodosh et al. | D270,000 S * | 8/1983 | Ketler D24/111 |
| 3,783,364 A | 1/1974 | Gallanis et al. | | | |
| 3,809,506 A | 5/1974 | Malcosky | | | |

(56)

References Cited

U.S. PATENT DOCUMENTS

| | | | | | | | |
|---------------|---------|--------------------|------------------------|---------------|---------|--------------------|------------------------|
| 4,412,823 A | 11/1983 | Sakai et al. | | 4,961,698 A | 10/1990 | Vlock | |
| 4,416,628 A * | 11/1983 | Cammack | A61C 17/02 200/526 | 4,966,551 A | 10/1990 | Betush | |
| 4,442,830 A | 4/1984 | Markau | | 4,969,874 A | 11/1990 | Michel et al. | |
| 4,442,831 A | 4/1984 | Trenary | | 4,973,246 A | 11/1990 | Black | |
| 4,452,238 A | 6/1984 | Kerr | | 4,973,247 A | 11/1990 | Varnes et al. | |
| 4,454,866 A | 6/1984 | Fayen | | 4,973,250 A | 11/1990 | Milman | |
| 4,512,769 A | 4/1985 | Kozam et al. | | 4,975,054 A | 12/1990 | Esrock | |
| 4,517,962 A | 5/1985 | Heckele | | 4,979,503 A | 12/1990 | Chernack | |
| 4,531,912 A | 7/1985 | Schuss et al. | | 4,979,504 A | 12/1990 | Mills | |
| 4,531,913 A | 7/1985 | Taguchi | | 4,989,590 A | 2/1991 | Baum et al. | |
| 4,534,340 A | 8/1985 | Kerr et al. | | 4,998,880 A | 3/1991 | Nerli | |
| 4,552,130 A | 11/1985 | Kinoshita | | 5,013,241 A | 5/1991 | Von Gutfeld et al. | |
| 4,561,214 A | 12/1985 | Inoue | | 5,014,884 A | 5/1991 | Wunsch | |
| D283,374 S | 4/1986 | Cheuk-Yiu | | 5,019,054 A | 5/1991 | Clement et al. | |
| 4,585,415 A | 4/1986 | Hommann | | 5,027,798 A | 7/1991 | Primiano | |
| 4,591,777 A | 5/1986 | McCarty et al. | | 5,029,576 A * | 7/1991 | Evans, Sr. | A61C 17/028 433/80 |
| 4,592,728 A | 6/1986 | Davis | | 5,033,617 A | 7/1991 | Hartwein et al. | |
| 4,602,906 A | 7/1986 | Grunenfelder | | 5,033,961 A | 7/1991 | Kandler et al. | |
| 4,607,627 A | 8/1986 | Leber et al. | | D318,918 S | 8/1991 | Hartwein | |
| 4,613,074 A | 9/1986 | Schulze | | 5,046,486 A | 9/1991 | Grulke et al. | |
| 4,619,009 A | 10/1986 | Rosenstatter | | 5,049,071 A | 9/1991 | Davis et al. | |
| 4,619,612 A | 10/1986 | Weber et al. | | 5,060,825 A | 10/1991 | Palmer et al. | |
| 4,629,425 A | 12/1986 | Detsch | | 5,061,180 A | 10/1991 | Wiele | |
| 4,636,198 A | 1/1987 | Stade | | 5,062,795 A | 11/1991 | Woog | |
| 4,642,037 A | 2/1987 | Fritchman | | 5,064,168 A | 11/1991 | Raines et al. | |
| 4,644,937 A | 2/1987 | Hommann | | D322,314 S | 12/1991 | Ohbayashi | |
| 4,645,488 A | 2/1987 | Matukas | | 5,071,346 A | 12/1991 | Domaas | |
| 4,647,831 A | 3/1987 | O'Malley et al. | | 5,082,115 A | 1/1992 | Hutcheson | |
| 4,648,838 A | 3/1987 | Schlachter | | 5,082,443 A | 1/1992 | Lohn | |
| 4,650,475 A | 3/1987 | Smith et al. | | 5,085,317 A | 2/1992 | Jensen et al. | |
| 4,655,198 A | 4/1987 | Hommann | | 5,086,756 A | 2/1992 | Powell | |
| 4,669,453 A | 6/1987 | Atkinson et al. | | 5,095,893 A | 3/1992 | Rawden, Jr. | |
| 4,672,953 A | 6/1987 | DiVito | | 5,098,291 A | 3/1992 | Curtis et al. | |
| 4,673,396 A | 6/1987 | Urbaniak | | 5,098,676 A | 3/1992 | Brooks, Jr. | |
| D291,354 S * | 8/1987 | Camens | D24/111 | 5,100,319 A | 3/1992 | Baum | |
| 4,716,352 A | 12/1987 | Hurn et al. | | 5,117,871 A | 6/1992 | Gardner et al. | |
| 4,749,340 A | 6/1988 | Ikeda et al. | | 5,125,835 A | 6/1992 | Young | |
| 4,770,632 A * | 9/1988 | Ryder | F04B 49/125 433/101 | 5,127,831 A | 7/1992 | Bab | |
| D298,565 S | 11/1988 | Kohler, Jr. et al. | | 5,142,723 A | 9/1992 | Lustig et al. | |
| 4,783,321 A | 11/1988 | Spence | | 5,150,841 A | 9/1992 | Silvenis et al. | |
| 4,787,845 A | 11/1988 | Valentine | | 5,172,810 A | 12/1992 | Brewer | |
| 4,787,847 A | 11/1988 | Martin et al. | | 5,173,273 A | 12/1992 | Brewer | |
| 4,798,292 A | 1/1989 | Hauze | | 5,183,035 A | 2/1993 | Weir | |
| 4,803,974 A | 2/1989 | Powell | | 5,197,458 A | 3/1993 | Ito et al. | |
| 4,804,364 A | 2/1989 | Dieras et al. | | 5,197,460 A | 3/1993 | Ito et al. | |
| 4,818,229 A | 4/1989 | Vasile | | 5,199,871 A | 4/1993 | Young | |
| 4,820,152 A | 4/1989 | Warrin et al. | | 5,203,697 A | 4/1993 | Malmin | |
| 4,821,923 A | 4/1989 | Skorka | | 5,203,769 A | 4/1993 | Clement et al. | |
| 4,824,368 A * | 4/1989 | Hickman | A61C 1/0092 433/80 | 5,204,004 A | 4/1993 | Johnston et al. | |
| 4,826,431 A | 5/1989 | Fujimura et al. | | 5,208,933 A * | 5/1993 | Lustig | A61C 17/28 15/22.1 |
| 4,827,551 A | 5/1989 | Maser et al. | | 5,215,193 A | 6/1993 | Dennis | |
| 4,832,683 A | 5/1989 | Idemoto et al. | | 5,218,956 A | 6/1993 | Handler et al. | |
| D302,586 S * | 8/1989 | Zogg | D24/111 | 5,220,914 A | 6/1993 | Thompson | |
| 4,854,869 A | 8/1989 | Lawhorn | | 5,228,646 A | 7/1993 | Raines | |
| 4,861,340 A | 8/1989 | Smith et al. | | 5,230,624 A | 7/1993 | Wolf et al. | |
| 4,862,876 A | 9/1989 | Lih-Sheng | | 5,232,687 A | 8/1993 | Geimer | |
| 4,869,720 A | 9/1989 | Chernack | | 5,235,968 A * | 8/1993 | Woog | A61C 17/02 433/80 |
| 4,880,382 A | 11/1989 | Moret et al. | | 5,241,714 A | 9/1993 | Barry | |
| 4,886,452 A | 12/1989 | Lohn | | 5,246,367 A | 9/1993 | Ito et al. | |
| 4,900,252 A | 2/1990 | Liefke et al. | | 5,252,064 A | 10/1993 | Baum et al. | |
| 4,902,225 A | 2/1990 | Lohn | | D341,200 S | 11/1993 | Yoshimoto | |
| 4,903,687 A | 2/1990 | Lih-Sheng | | 5,257,933 A | 11/1993 | Jousson | |
| 4,906,187 A | 3/1990 | Amadera | | 5,261,448 A | 11/1993 | Furuya et al. | |
| 4,907,744 A | 3/1990 | Jousson | | D341,943 S | 12/1993 | Si-Hoe | |
| 4,925,450 A | 5/1990 | Imonti et al. | | 5,267,586 A | 12/1993 | Jankavaara | |
| 4,928,675 A | 5/1990 | Thornton | | 5,269,684 A | 12/1993 | Fischer | |
| 4,930,660 A | 6/1990 | Porteous | | 5,281,137 A | 1/1994 | Jousson | |
| 4,941,459 A | 7/1990 | Mathur | | 5,281,139 A | 1/1994 | Frank et al. | |
| 4,950,159 A | 8/1990 | Hansen | | 5,282,745 A | 2/1994 | Wiltrout et al. | |
| 4,958,629 A | 9/1990 | Peace et al. | | 5,286,192 A | 2/1994 | Dixon | |
| 4,958,751 A | 9/1990 | Curtis et al. | | 5,286,201 A | 2/1994 | Yu | |
| 4,959,199 A | 9/1990 | Brewer | | 5,295,832 A * | 3/1994 | Evans | A61C 17/028 433/216 |
| | | | | 5,297,962 A | 3/1994 | O'Connor et al. | |
| | | | | D346,212 S | 4/1994 | Hosl | |
| | | | | 5,301,381 A | 4/1994 | Klupt | |

(56)

References Cited

U.S. PATENT DOCUMENTS

| | | | | | | |
|--------------|---------|-------------------|----------------|---------|------------------|-----------------------|
| 5,302,123 A | 4/1994 | Bechard | D403,511 S | 1/1999 | Serbinski | |
| 5,317,691 A | 5/1994 | Traeger | D406,334 S * | 3/1999 | Rosenthal | D24/111 |
| 5,321,865 A | 6/1994 | Kaeser | 5,876,201 A | 3/1999 | Wilson et al. | |
| 5,331,704 A | 7/1994 | Rosen et al. | D408,511 S | 4/1999 | Allen et al. | |
| 5,344,317 A | 9/1994 | Pacher et al. | 5,901,397 A | 5/1999 | Häfele et al. | |
| 5,346,677 A | 9/1994 | Risk | 5,934,902 A | 8/1999 | Abahusayn | |
| D351,892 S | 10/1994 | Wolf et al. | D413,975 S | 9/1999 | Maeda | |
| 5,360,338 A | 11/1994 | Waggoner | D416,999 S | 11/1999 | Miyamoto | |
| 5,368,548 A | 11/1994 | Jousson | D417,082 S | 11/1999 | Classen et al. | |
| 5,370,534 A | 12/1994 | Wolf et al. | 5,993,402 A | 11/1999 | Sauer et al. | |
| D354,168 S | 1/1995 | Hartwein | 6,030,215 A | 2/2000 | Ellion et al. | |
| D354,559 S | 1/1995 | Knute | 6,038,960 A | 3/2000 | Fukushima et al. | |
| 5,378,149 A | 1/1995 | Stropko | 6,039,180 A | 3/2000 | Grant | |
| 5,380,201 A | 1/1995 | Kawata | 6,047,429 A | 4/2000 | Wu | |
| D356,864 S * | 3/1995 | Woog | D424,181 S | 5/2000 | Caplow | |
| | | | D425,615 S | 5/2000 | Bachman et al. | |
| 5,399,089 A | 3/1995 | Eichman et al. | D425,981 S | 5/2000 | Bachman et al. | |
| D358,883 S | 5/1995 | Vos | 6,056,710 A * | 5/2000 | Bachman | A61C 17/02 601/162 |
| 5,456,672 A | 10/1995 | Diederich et al. | | | | |
| 5,465,445 A | 11/1995 | Yeh | D426,633 S * | 6/2000 | Bachman | D24/111 |
| 5,467,495 A | 11/1995 | Boland et al. | 6,089,865 A | 7/2000 | Edgar | |
| 5,468,148 A | 11/1995 | Ricks | 6,116,866 A | 9/2000 | Tomita et al. | |
| 5,470,305 A | 11/1995 | Arnett et al. | 6,120,755 A | 9/2000 | Jacobs | |
| 5,474,450 A | 12/1995 | Chronister | 6,124,699 A | 9/2000 | Suzuki et al. | |
| 5,474,451 A | 12/1995 | Dalrymple et al. | D434,500 S | 11/2000 | Pollock et al. | |
| 5,476,379 A | 12/1995 | Disel | 6,159,006 A | 12/2000 | Cook et al. | |
| 5,484,281 A | 1/1996 | Renow et al. | 6,164,967 A | 12/2000 | Sale et al. | |
| 5,487,877 A | 1/1996 | Choi | D435,905 S | 1/2001 | Bachman et al. | |
| 5,490,779 A | 2/1996 | Malmin | D437,049 S | 1/2001 | Hartwein | |
| 5,505,916 A | 4/1996 | Berry, Jr. | 6,193,512 B1 | 2/2001 | Wallace | |
| D369,656 S | 5/1996 | Vos | 6,193,932 B1 | 2/2001 | Wu et al. | |
| D370,125 S | 5/1996 | Craft et al. | 6,199,239 B1 | 3/2001 | Dickerson | |
| 5,525,058 A | 6/1996 | Gallant et al. | 6,200,134 B1 | 3/2001 | Kovac | |
| 5,526,841 A | 6/1996 | Detsch et al. | D439,781 S | 4/2001 | Spore | |
| 5,540,587 A | 7/1996 | Malmin | 6,217,835 B1 | 4/2001 | Riley et al. | |
| 5,547,374 A | 8/1996 | Coleman | D441,861 S | 5/2001 | Haffliger | |
| D373,631 S | 9/1996 | Maeda et al. | 6,233,773 B1 | 5/2001 | Karge et al. | |
| 5,554,014 A | 9/1996 | Becker | 6,234,205 B1 | 5/2001 | D'Amelio et al. | |
| 5,554,025 A | 9/1996 | Kinsel | 6,237,178 B1 | 5/2001 | Krammer et al. | |
| 5,556,001 A | 9/1996 | Weissman et al. | 6,247,929 B1 | 6/2001 | Bachman et al. | |
| 5,564,629 A | 10/1996 | Weissman et al. | 6,280,190 B1 | 8/2001 | Hoffman | |
| D376,893 S | 12/1996 | Gornet | D448,236 S | 9/2001 | Murray | |
| D377,091 S | 12/1996 | Scott, Sr. | 6,293,792 B1 | 9/2001 | Hanson | |
| 5,613,259 A | 3/1997 | Craft et al. | D449,884 S | 10/2001 | Tobin et al. | |
| 5,616,028 A | 4/1997 | Hafele et al. | D453,453 S | 2/2002 | Lun | |
| 5,626,472 A | 5/1997 | Pennetta | D455,201 S | 4/2002 | Jones | |
| 5,634,791 A | 6/1997 | Matsuura et al. | D455,203 S | 4/2002 | Jones | |
| 5,636,987 A | 6/1997 | Serfaty | 6,363,565 B1 | 4/2002 | Paffrath | |
| 5,640,735 A | 6/1997 | Manning | D457,949 S | 5/2002 | Krug | |
| D382,407 S | 8/1997 | Craft et al. | D464,799 S | 10/2002 | Crossman et al. | |
| 5,653,591 A | 8/1997 | Loge | 6,468,482 B1 | 10/2002 | Frieze et al. | |
| 5,659,995 A | 8/1997 | Hoffman | 6,475,173 B1 * | 11/2002 | Bachman | A61C 17/02 433/80 |
| 5,667,483 A | 9/1997 | Santos | 6,485,451 B1 | 11/2002 | Roberts et al. | |
| D386,576 S | 11/1997 | Wang et al. | 6,497,375 B1 | 12/2002 | Srinath et al. | |
| 5,683,192 A | 11/1997 | Kilfoil | 6,497,572 B2 | 12/2002 | Hood et al. | |
| 5,685,829 A | 11/1997 | Allen | 6,502,584 B1 | 1/2003 | Fordham | |
| 5,685,851 A | 11/1997 | Murphy et al. | D470,660 S | 2/2003 | Schaber | |
| 5,697,784 A | 12/1997 | Hafele et al. | 6,558,344 B2 | 5/2003 | McKinnon et al. | |
| D388,612 S | 1/1998 | Stutzer et al. | 6,561,808 B2 | 5/2003 | Neuberger et al. | |
| D388,613 S | 1/1998 | Stutzer et al. | D475,346 S | 6/2003 | McCurrach et al. | |
| D389,091 S | 1/1998 | Dickinson | D476,743 S | 7/2003 | D'Silva | |
| 5,709,545 A | 1/1998 | Johnston et al. | 6,589,477 B1 | 7/2003 | Frieze et al. | |
| D390,934 S | 2/1998 | McKeone | 6,602,071 B1 | 8/2003 | Ellion et al. | |
| 5,716,007 A | 2/1998 | Nottingham et al. | 6,632,091 B1 | 10/2003 | Cise et al. | |
| 5,718,668 A | 2/1998 | Arnett et al. | D482,451 S | 11/2003 | Page et al. | |
| 5,746,595 A | 5/1998 | Ford | 6,640,999 B2 | 11/2003 | Peterson | |
| 5,749,726 A | 5/1998 | Kinsel | 6,647,577 B2 | 11/2003 | Tam | |
| 5,759,502 A | 6/1998 | Spencer et al. | 6,659,674 B2 | 12/2003 | Carlucci et al. | |
| 5,779,471 A | 7/1998 | Tseng et al. | 6,669,059 B2 | 12/2003 | Mehta | |
| 5,779,654 A | 7/1998 | Foley et al. | D484,971 S | 1/2004 | Hartwein | |
| 5,795,153 A | 8/1998 | Rechmann | 6,681,418 B1 | 1/2004 | Bierend | |
| 5,796,325 A | 8/1998 | Lundell et al. | D486,573 S | 2/2004 | Callaghan et al. | |
| 5,833,065 A | 11/1998 | Burgess | 6,689,078 B1 | 2/2004 | Rehkemper et al. | |
| 5,836,030 A | 11/1998 | Hazeu et al. | 6,699,208 B2 | 3/2004 | Bachman et al. | |
| D402,744 S | 12/1998 | Zuege | 6,719,561 B2 | 4/2004 | Gugel et al. | |
| 5,851,079 A | 12/1998 | Horstman et al. | D489,183 S | 5/2004 | Akahori et al. | |
| | | | 6,739,782 B1 | 5/2004 | Rehkemper et al. | |
| | | | 6,740,053 B2 | 5/2004 | Kaplowitz | |

(56)

References Cited

U.S. PATENT DOCUMENTS

| | | | | | |
|--------------|---------|------------------|-----------------|---------|-------------------|
| D490,899 S | 6/2004 | Gagnon | D655,380 S | 3/2012 | Taylor |
| D491,728 S | 6/2004 | Jimenez | D658,381 S | 5/2012 | Gebski |
| D492,996 S | 7/2004 | Rehkemper et al. | D658,538 S | 5/2012 | Korzeniowski |
| 6,761,324 B2 | 7/2004 | Chang | 8,220,726 B2 | 7/2012 | Qiu et al. |
| 6,766,549 B2 | 7/2004 | Klupt | D666,912 S | 9/2012 | Kawai |
| D495,142 S | 8/2004 | Berde | 8,256,979 B2 | 9/2012 | Hilscher et al. |
| D495,143 S | 8/2004 | Berde | D668,339 S | 10/2012 | Luoto |
| 6,779,216 B2 | 8/2004 | Davies et al. | D669,169 S | 10/2012 | Washington et al. |
| 6,783,004 B1 | 8/2004 | Rinner | 8,297,534 B2 | 10/2012 | Li et al. |
| 6,783,505 B1 | 8/2004 | Lai | D670,373 S | 11/2012 | Taylor et al. |
| 6,796,796 B2 | 9/2004 | Segal | D670,958 S | 11/2012 | Picozza et al. |
| D498,643 S | 11/2004 | Pryor | D671,637 S | 11/2012 | Gebski et al. |
| 6,814,259 B1 | 11/2004 | Foster et al. | D672,018 S | 12/2012 | Bucher |
| D499,885 S | 12/2004 | Xi | 8,366,024 B2 | 2/2013 | Leber et al. |
| 6,835,181 B2 | 12/2004 | Hippensteel | 8,403,577 B2 | 3/2013 | Khoshnevis |
| D500,599 S | 1/2005 | Callaghan | 8,403,665 B2 | 3/2013 | Thomas et al. |
| 6,837,708 B2 | 1/2005 | Chen et al. | 8,408,483 B2 | 4/2013 | Boyd et al. |
| 6,884,069 B2 | 4/2005 | Goldman | D686,311 S | 7/2013 | Mori |
| 6,902,337 B1 | 6/2005 | Kuo | D694,378 S | 11/2013 | Bates |
| 6,907,879 B2 | 6/2005 | Drinan et al. | D694,398 S | 11/2013 | Taylor |
| D509,585 S | 9/2005 | Kling et al. | D700,343 S | 2/2014 | Liu |
| D513,638 S | 1/2006 | Pan | D702,819 S | 4/2014 | Garland |
| D515,215 S | 2/2006 | Wang | D702,821 S | 4/2014 | Garland |
| D522,652 S | 6/2006 | Massey | D707,350 S | 6/2014 | Woodard |
| 7,080,980 B2 | 7/2006 | Klupt | D709,183 S | 7/2014 | Kemlein |
| D529,661 S | 10/2006 | Schmidt | D714,929 S | 10/2014 | Kim et al. |
| D530,010 S | 10/2006 | Luetzgen et al. | D714,930 S | 10/2014 | Kim et al. |
| 7,117,555 B2 | 10/2006 | Fattori et al. | D717,412 S | 11/2014 | Bucher |
| D532,570 S | 11/2006 | Vizcarra | D717,427 S | 11/2014 | Kim |
| 7,131,838 B2 | 11/2006 | Suzuki et al. | D718,855 S | 12/2014 | Kim et al. |
| D533,720 S | 12/2006 | Vu | D723,387 S | 3/2015 | Fath |
| D538,474 S | 3/2007 | Sheppard et al. | D725,770 S | 3/2015 | Kim et al. |
| D548,334 S | 8/2007 | Izumi | D731,640 S | 6/2015 | Kim et al. |
| D550,097 S | 9/2007 | Lepoitevin | D735,305 S | 7/2015 | Obara |
| D553,980 S | 10/2007 | VerWeyst | D740,936 S | 10/2015 | Kim et al. |
| 7,276,035 B2 | 10/2007 | Lu | D745,329 S | 12/2015 | Ong |
| 7,314,456 B2 | 1/2008 | Shaw | D746,975 S | 1/2016 | Schenck |
| D565,175 S | 3/2008 | Boyd et al. | D747,464 S | 1/2016 | Taylor |
| 7,344,510 B1 | 3/2008 | Yande | D754,330 S | 4/2016 | Kim et al. |
| D565,713 S | 4/2008 | Gao | D756,122 S | 5/2016 | Taylor |
| 7,367,803 B2 | 5/2008 | Egeresi | D764,051 S | 8/2016 | Wang |
| D574,952 S | 8/2008 | Boyd et al. | D766,423 S | 9/2016 | Kim et al. |
| D577,198 S | 9/2008 | Jimenez | D772,396 S | 11/2016 | Kim et al. |
| D577,814 S | 9/2008 | Seki et al. | D772,397 S | 11/2016 | Kim et al. |
| D581,279 S | 11/2008 | Oates | D774,651 S | 12/2016 | Kaib |
| 7,455,521 B2 | 11/2008 | Fishburne, Jr. | D776,253 S | 1/2017 | Li |
| 7,469,440 B2 | 12/2008 | Boland et al. | D782,326 S | 3/2017 | Fath |
| D585,132 S | 1/2009 | Pukall | D782,656 S * | 3/2017 | Au D24/111 |
| D588,262 S | 3/2009 | Pukall | D786,422 S | 5/2017 | Au |
| 7,500,584 B2 | 3/2009 | Schutz | 2002/0090252 A1 | 7/2002 | Hall et al. |
| D590,492 S | 4/2009 | Powell | 2002/0108193 A1 | 8/2002 | Gruber |
| D592,748 S | 5/2009 | Boulton | 2002/0119415 A1 | 8/2002 | Bailey |
| D595,136 S | 6/2009 | Canamasas Puigbo | 2002/0152565 A1 | 10/2002 | Klupt |
| D601,694 S | 10/2009 | Rocklin | 2003/0060743 A1 | 3/2003 | Chang |
| D601,697 S | 10/2009 | Sobiech et al. | 2003/0098249 A1 | 5/2003 | Rollock |
| D603,708 S | 11/2009 | Handy | 2003/0204155 A1 | 10/2003 | Egeresi |
| D608,430 S | 1/2010 | Slothower | 2003/0213075 A1 | 11/2003 | Hui et al. |
| 7,670,141 B2 | 3/2010 | Thomas et al. | 2004/0045107 A1 | 3/2004 | Egeresi |
| 7,677,888 B1 | 3/2010 | Halm | 2004/0076921 A1 | 4/2004 | Gofman et al. |
| D613,550 S | 4/2010 | Picozza et al. | 2004/0122377 A1 | 6/2004 | Fischer et al. |
| D621,949 S | 8/2010 | Seki et al. | 2004/0126730 A1 | 7/2004 | Panagotacos |
| D622,928 S | 9/2010 | Griebel | 2004/0209222 A1 | 10/2004 | Snyder |
| D623,376 S | 9/2010 | Griebel | 2005/0049620 A1 | 3/2005 | Chang |
| D625,406 S | 10/2010 | Seki et al. | 2005/0064371 A1 | 3/2005 | Soukos et al. |
| 7,814,585 B1 | 10/2010 | Reich | 2005/0101894 A1 | 5/2005 | Hippensteel |
| D629,884 S | 12/2010 | Stephens | 2005/0102773 A1 | 5/2005 | Obermann et al. |
| 7,857,623 B2 | 12/2010 | Grez | 2005/0144745 A1 | 7/2005 | Russell |
| 7,862,536 B2 | 1/2011 | Chen et al. | 2005/0177079 A1 | 8/2005 | Pan |
| 7,959,597 B2 | 6/2011 | Baker et al. | 2005/0271531 A1 | 12/2005 | Brown et al. |
| D640,872 S | 7/2011 | Nanda | 2006/0008373 A1 | 1/2006 | Schutz |
| D648,539 S | 11/2011 | Wai | 2006/0010624 A1 | 1/2006 | Cleland |
| D651,409 S | 1/2012 | Papenfu | 2006/0026784 A1 | 2/2006 | Moskovich et al. |
| D651,805 S | 1/2012 | Hay | 2006/0057539 A1 | 3/2006 | Sodo |
| D653,340 S | 1/2012 | Goerge et al. | 2006/0078844 A1 | 4/2006 | Goldman et al. |
| 8,113,832 B2 | 2/2012 | Snyder et al. | 2006/0079818 A1 | 4/2006 | Yande |
| | | | 2007/0082316 A1 | 4/2007 | Zhadanov et al. |
| | | | 2007/0082317 A1 | 4/2007 | Chuang |
| | | | 2007/0113360 A1 | 5/2007 | Tsai |
| | | | 2007/0202459 A1 | 8/2007 | Boyd et al. |

(56)

References Cited

U.S. PATENT DOCUMENTS

2007/0203439 A1 8/2007 Boyd et al.
 2007/0254260 A1 11/2007 Alden
 2008/0189951 A1 8/2008 Molema et al.
 2008/0213719 A1 9/2008 Giniger et al.
 2009/0070949 A1 3/2009 Sagel et al.
 2009/0082706 A1 3/2009 Shaw
 2009/0124945 A1 5/2009 Reich et al.
 2009/0163839 A1 6/2009 Alexander
 2009/0188780 A1 7/2009 Watanabe
 2009/0281454 A1 11/2009 Baker et al.
 2010/0010524 A1 1/2010 Barrington
 2010/0015566 A1 1/2010 Shaw
 2010/0190132 A1 7/2010 Taylor et al.
 2010/0239998 A1 9/2010 Snyder et al.
 2010/0261134 A1 10/2010 Boyd et al.
 2010/0261137 A1 10/2010 Boyd et al.
 2010/0326536 A1 12/2010 Nan
 2010/0330527 A1 12/2010 Boyd et al.
 2011/0027749 A1 2/2011 Syed
 2011/0076090 A1 3/2011 Wu et al.
 2011/0097683 A1 4/2011 Boyd et al.
 2011/0139826 A1 6/2011 Hair et al.
 2011/0144588 A1 6/2011 Taylor et al.
 2011/0184341 A1 7/2011 Baker et al.
 2011/0307039 A1 12/2011 Cornell
 2012/0021374 A1 1/2012 Cacka et al.
 2012/0045730 A1 2/2012 Snyder et al.
 2012/0064480 A1 3/2012 Hegemann
 2012/0077145 A1 3/2012 Tsurukawa
 2012/0141952 A1 6/2012 Snyder et al.
 2012/0179118 A1 7/2012 Hair
 2012/0189976 A1 7/2012 McDonough et al.
 2012/0266396 A1 10/2012 Leung
 2012/0277677 A1 11/2012 Taylor et al.
 2012/0277678 A1 11/2012 Taylor et al.
 2012/0279002 A1 11/2012 Sokol et al.
 2012/0295220 A1 11/2012 Thomas et al.
 2013/0295520 A1* 11/2013 Hsieh A61C 17/02
 433/89
 2014/0106296 A1 4/2014 Woodard et al.
 2014/0193774 A1 7/2014 Snyder et al.
 2014/0259474 A1 9/2014 Sokol et al.
 2014/0272769 A1 9/2014 Luetzgen et al.
 2014/0272782 A1 9/2014 Luetzgen et al.
 2014/0352088 A1 12/2014 Wu
 2015/0004559 A1 1/2015 Luetzgen et al.
 2015/0147717 A1 5/2015 Taylor et al.
 2015/0173850 A1* 6/2015 Garrigues A61C 1/0092
 433/80
 2015/0182319 A1 7/2015 Wagner et al.
 2016/0100921 A1 4/2016 Ungar
 2016/0151133 A1 6/2016 Luetzgen et al.
 2017/0209234 A1* 7/2017 Senff A61C 1/0092

FOREIGN PATENT DOCUMENTS

CN 204049908 12/2014
 DE 1466963 5/1969
 DE 2019003 11/1971
 DE 2409752 9/1975
 DE 2545936 4/1977
 DE 2714876 10/1978
 DE 2910982 2/1980
 EP 0023672 7/1980
 EP 0515983 2/1992
 FR 2556954 6/1985
 FR 2654627 5/1991
 GB 838564 6/1960
 GB 1182031 2/1970
 GB 2018605 10/1979
 JP 2-134150 5/1990
 JP 2009-39455 2/2009
 KR 20120126265 11/2012
 WO WO95/16404 6/1995

WO WO01/10327 2/2001
 WO WO2004/021958 3/2004
 WO WO2004/039205 5/2004
 WO WO2004/060259 7/2004
 WO WO2004/062518 7/2004
 WO WO2008/070730 6/2008
 WO WO2008/157585 12/2008
 WO WO2013/124691 8/2013

OTHER PUBLICATIONS

Waterpik WP350W Oral Irrigator. Dentist.net. Copyright date 2013. Date accessed: Mar. 30, 2017. <<http://www.dentalhoo.com/waterpik-wp350.asp>>.*
 iPik Portable Oral Irrigator. AliExpress. Date reviewed: Oct. 5, 2016. 21 https://www.aliexpress.com/...e-Oral-Care-Product-Nasal-Irrigator-Tooth-Flosser-Water/1525541997.html?aff_platform=aaf&cpt=1490913714609&sk=yfAeyJa&aff_trace_key=c5a300c4f02e46d08c042f5292e1762f-1490913714609-07517-yfAeyJa>.*
 Brite Leafs Professional Portable 2-in-1 Nasal Sinus & Oral Irrigator. Brite Leafs. Copyright date 2012. <<http://www.briteleafs.com/product6.html>>.*
 The Right Tool, Electron Fusion Devices, Inc., 2 pages, at least as early as Feb. 1991.
 Japanese Packaging, 2 pages, at least as early as Dec. 2002.
 Japanese Instruction Brochure, 20 pages, at least as early as Dec. 2002.
 Brochure: Woog International, "You have a 98% chance of getting gum disease. Unless you read this.", Lancaster, Pennsylvania, 5 pages, Feb. 1987.
 Brochure: Woog International, "We put the control of home dental care back into the hands of the professional", Lancaster, Pennsylvania, 2 pages, Feb. 1987.
 Brochure: WOOG International, "Products at a Glance: Home Dental Care System" WOOG Orajet, 3 pages, at least as early as Dec. 18, 1998.
 Website: http://www.just4teeth.com/product/Panasonic/Portable_Irrigator.htm, 2 pages, at least as early as Jun. 20, 2003.
 Website: http://www.videodirectstore.com/store/merchant.mv?Screen=PROD&Product_Code=EW1'..., 2 pages, at least as early as Jun. 20, 2003.
 Website: <http://products.consumerguide.com/cp/family/review/index.cfm/id/18742>, 2 pages, at least as early as Jun. 20, 2003.
 Website: <http://www.racekarteng.com/images/walbroparts.gif> and <http://www.muller.net/mullermachine/docs/walbro1.html>, 4 pages, at least as early as Jun. 20, 2003.
 European Search Report, EPO Application No. 07250799.9, Jul. 5, 2007.
 European Search Report, EPO Application No. 07252693.2, 14 pages, Apr. 28, 2008.
 European Examination Report, EPO Application No. 07250799.9, Feb. 5, 2009.
 International Search Report, Application No. PCT/US2010/028180, 2 pages, dated May 18, 2010.
 International Search Report, PCT/US2010/060800, 2 pages, dated Feb. 11, 2011.
 International Search Report, PCT/US2011/052795, 10 pages, dated Jan. 17, 2012.
 Waterpik SinuSense Website: <http://www.insightsbyapril.com/2012/03/waterpik-natural-remedy-for-sinus.html>, 8 pages, dated May 31, 2012.
 Website: <https://www.waterpik.com/about-us/>, 3 pages.
 Waterpik WP350W Oral Irrigator. Dentist.net. Copyright date 2013. Date accessed: Mar. 30, 2017, 2 pages <<http://www.dentalhoo.com/waterpik-wp350.asp>>.*
 iPik Portable Oral Irrigator. AliExpress. Date reviewed: Oct. 5, 2016. <https://www.aliexpress.com/...e-Oral-Care-Product-Nasal-Irrigator-Tooth-Flosser-Water/1525541997.html?aff_platform=aaf&cpt=1490913714609&sk=yfAeyJa&aff_trace_key=c5a300c4f02e46d08c042f5292e1762f-1490913714609-07517-yfAeyJa>, 18 pages.

(56)

References Cited

OTHER PUBLICATIONS

Brite Leafs Professional Portable 2-in-1 Nasal Sinus & Oral Irrigator. Brite Leafs. Copyright date 2012, <<http://www.briteleafs.com/product6.html>> , 1 page.

AliExpress. Date reviewed: Jan. 12, 2017. <<https://www.aliexpress.com/item/Cordless-Water-Floss-Portable-Oral-Irrigator-Dental-Water-Flosser-Waterpic-Whatpick-Dental-Water-Pic-Whater-Pick/32769416341.html?spm=2114.40010308.4.75.Owuzfj>>.

* cited by examiner

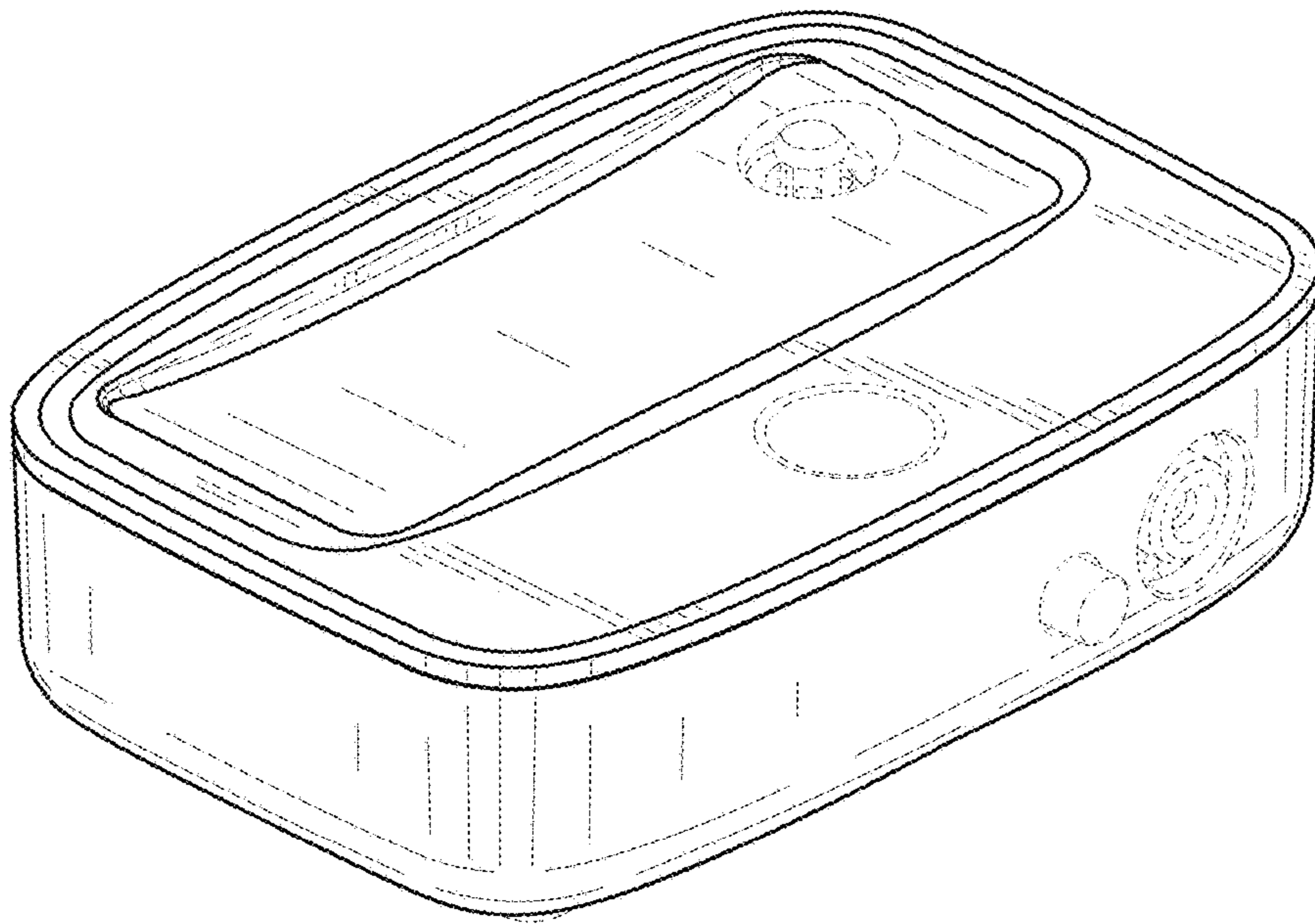


FIG. 1

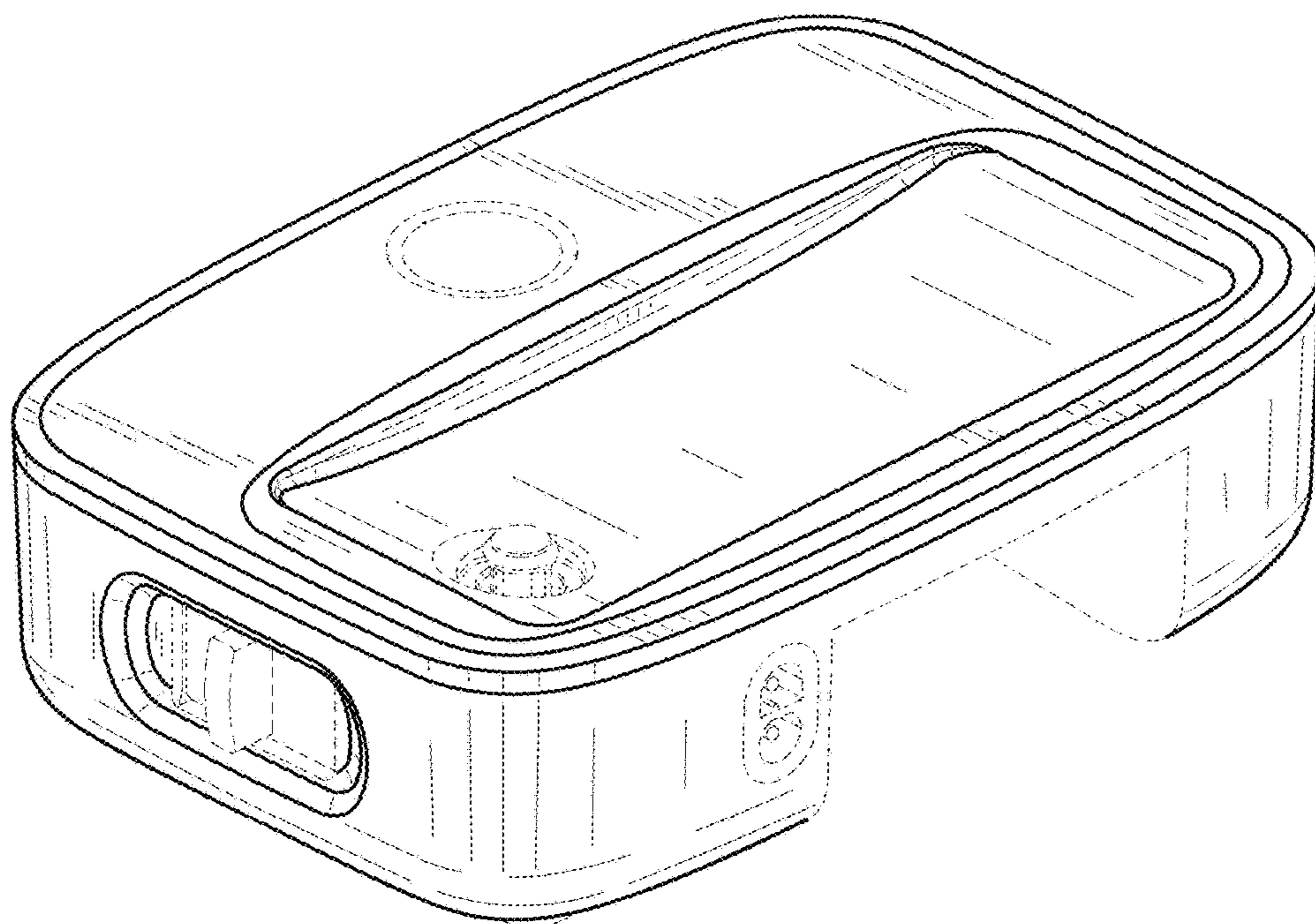


FIG. 2

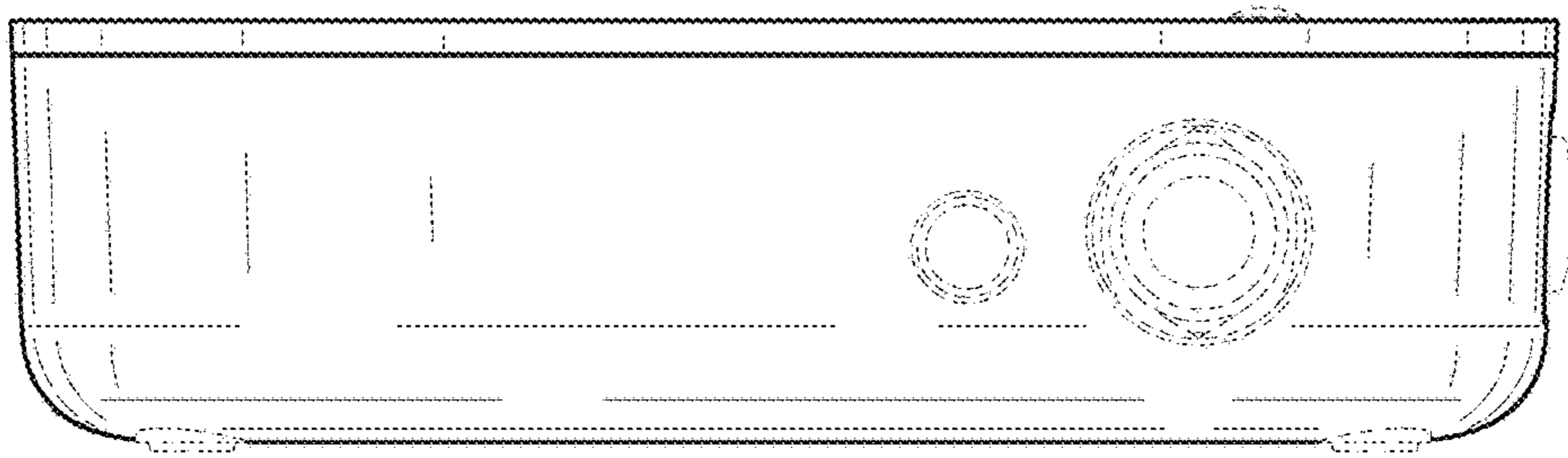


FIG. 3

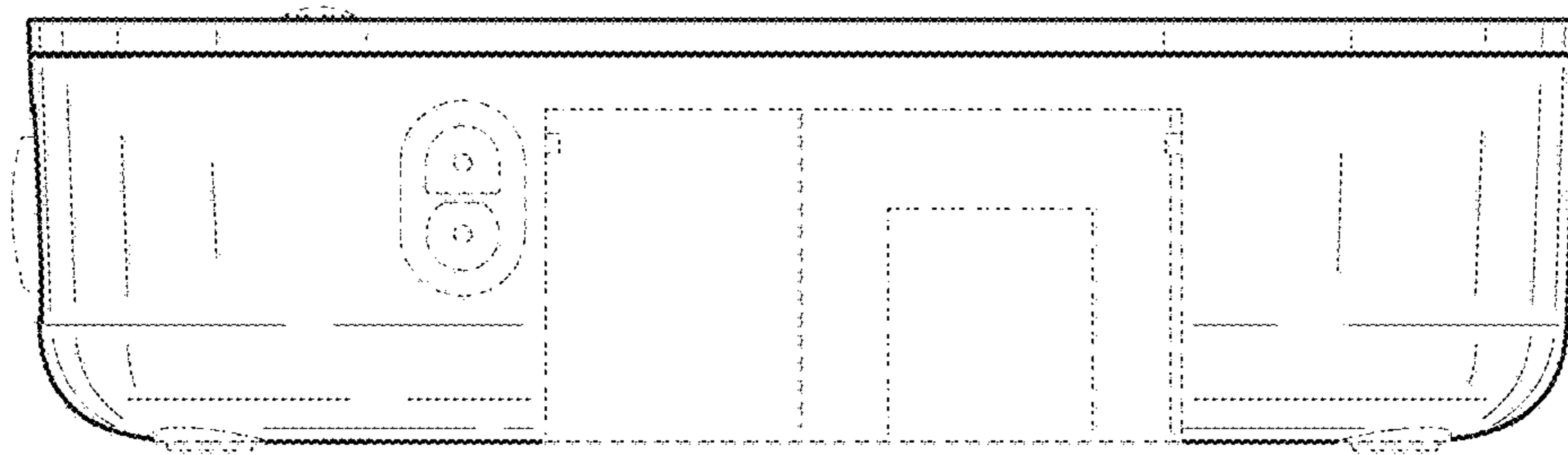


FIG. 4

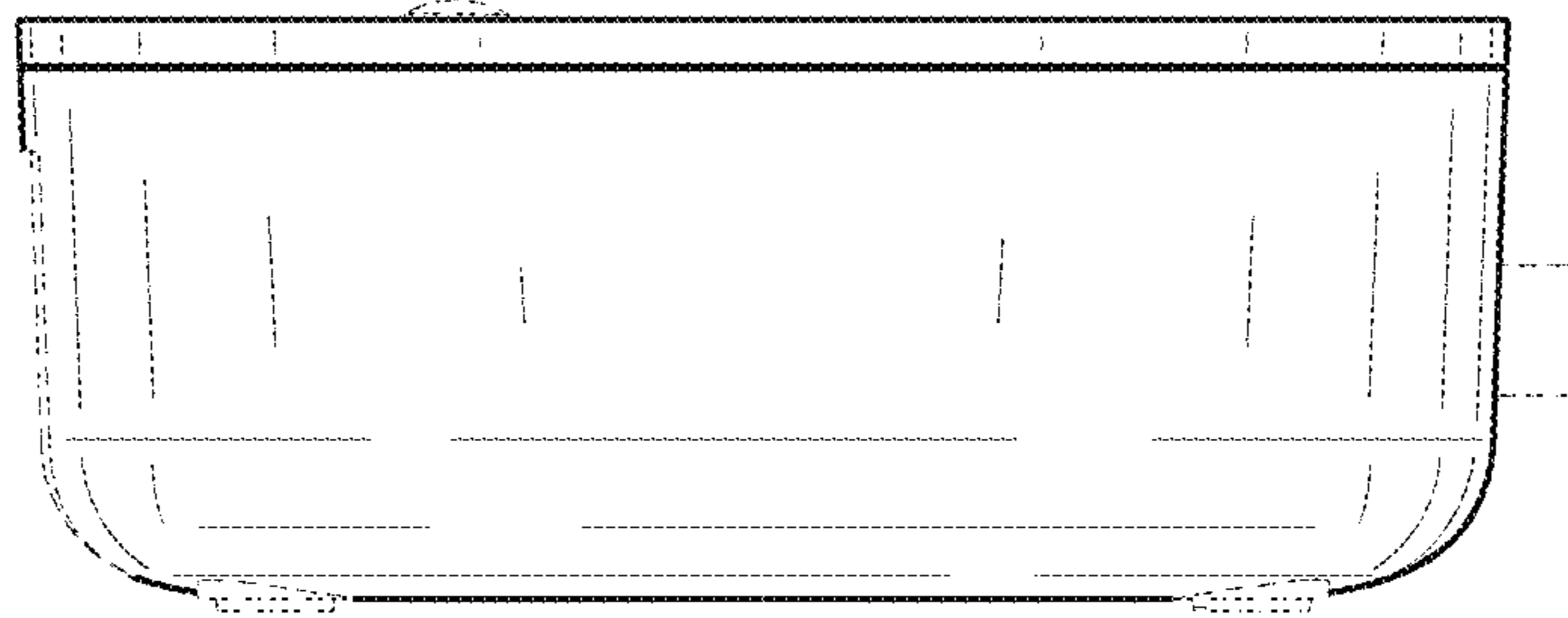


FIG. 5

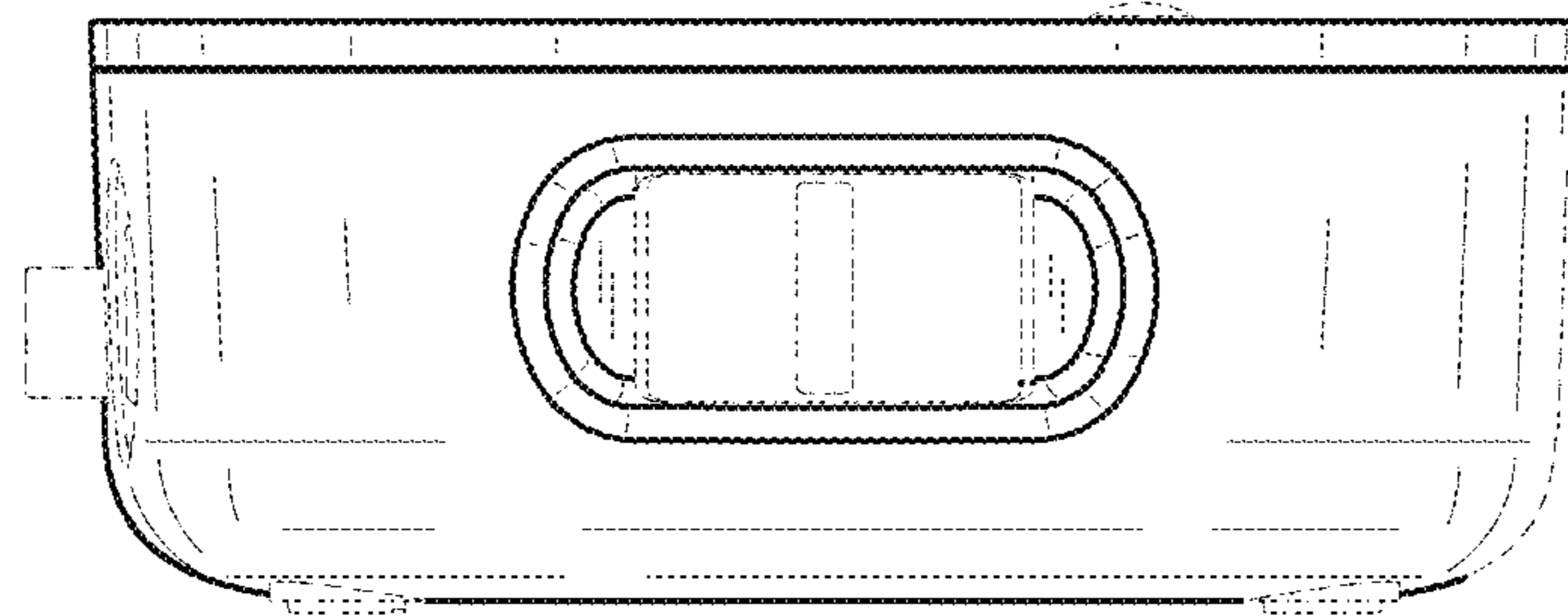


FIG. 6

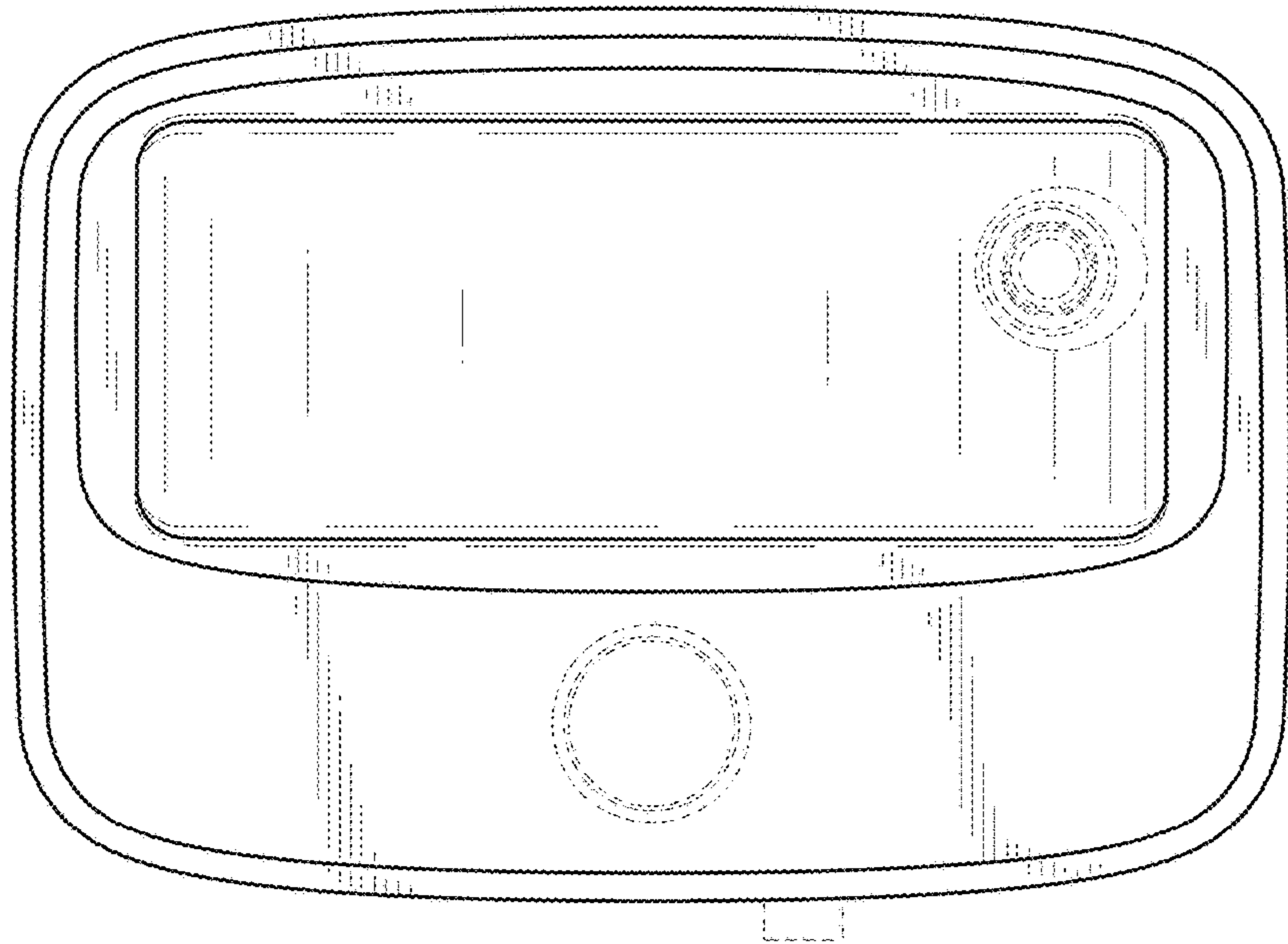


FIG. 7

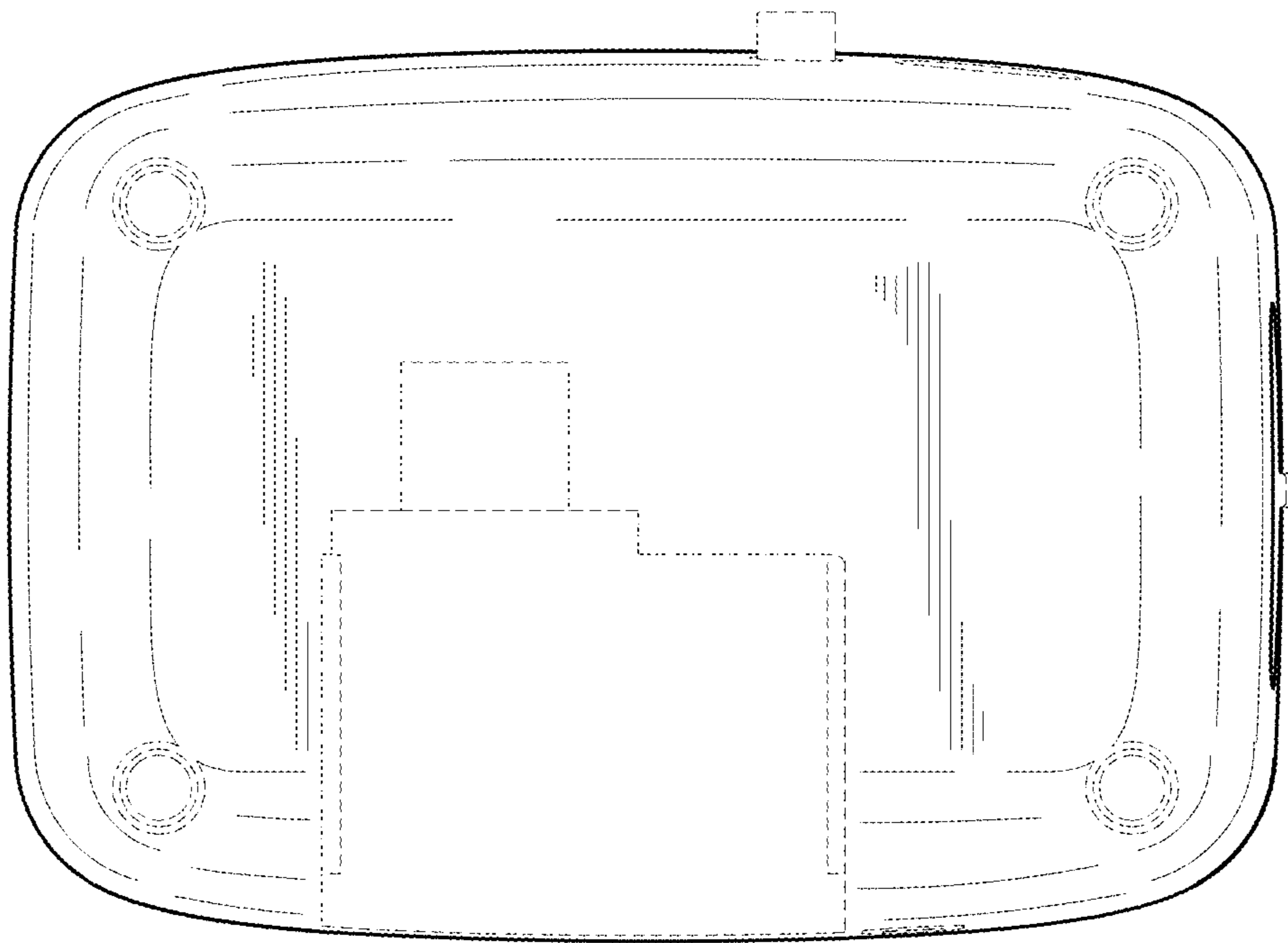


FIG. 8