



US00D804015S

(12) **United States Design Patent** (10) **Patent No.:** **US D804,015 S**
Lamba et al. (45) **Date of Patent:** **** Nov. 28, 2017**

(54) **INHALER**

(71) Applicant: **Glenmark Pharmaceuticals Limited**,
Mumbai (IN)

(72) Inventors: **Taranpreet Singh Lamba**, Mumbai
(IN); **Pradeep Patil**, Mumbai (IN); **Lai
Chiu Tang**, Mumbai (IN)

(73) Assignee: **GLENMARK PHARMACEUTICALS
LIMITED**, Mumbai, Maharashtra (IN)

(**) Term: **14 Years**

(21) Appl. No.: **29/488,717**

(22) Filed: **Apr. 22, 2014**

(30) **Foreign Application Priority Data**

Dec. 23, 2013 (IN) 258931
Dec. 23, 2013 (IN) 258932

(51) **LOC (10) Cl.** **29-02**

(52) **U.S. Cl.**
USPC **D24/110**

(58) **Field of Classification Search**
USPC D24/110-110.1, 110.4-110.5, 127, 164;
D29/108
CPC A61M 15/00; A61M 15/0065; A61M
15/0091; A61M 15/0021; A61M 15/0026;
A61M 11/00; A61M 11/02; A61M 11/04
See application file for complete search history.

(56) **References Cited**

U.S. PATENT DOCUMENTS

D199,165 S * 9/1964 Ryden D24/110
D342,994 S 1/1994 Rand et al.
D355,029 S * 1/1995 Kinneir D24/110
D379,506 S * 5/1997 Maher D24/110
D417,731 S * 12/1999 Butler D24/110
D452,910 S 1/2002 Braithwaite et al.
D492,769 S 7/2004 Hatanaka

D518,171 S 3/2006 Anderson et al.
D569,967 S 5/2008 Pearl et al.
D576,724 S 9/2008 Jensen et al.
(Continued)

FOREIGN PATENT DOCUMENTS

EM 001178537-0001 11/2009
EM 001178537-0006 11/2009
(Continued)

Primary Examiner — Barbara Fox
Assistant Examiner — Lilyana Bekic
(74) *Attorney, Agent, or Firm* — Merchant & Gould P.C.

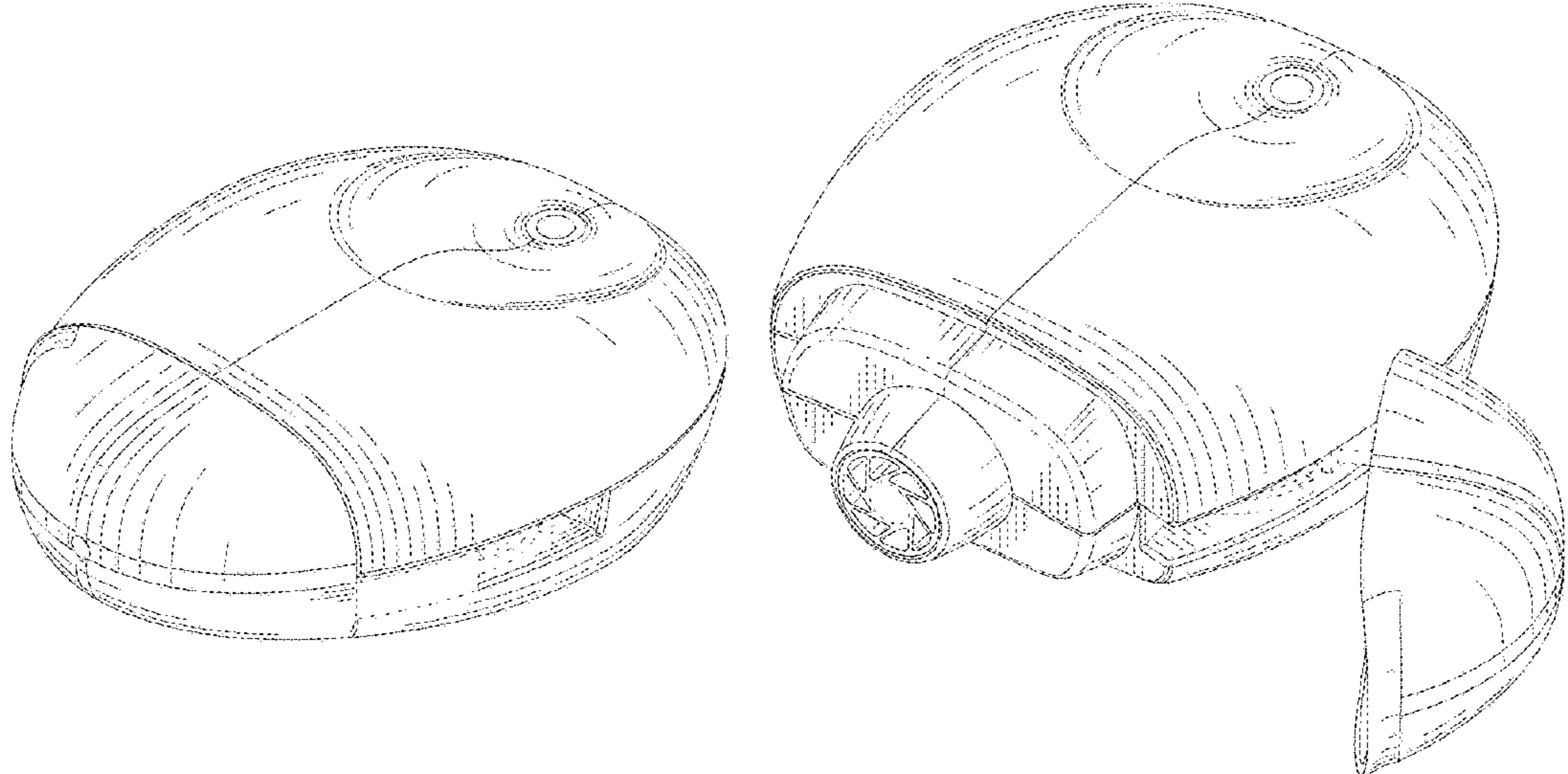
(57) **CLAIM**

We claim the ornamental design for an inhaler, as shown and described.

DESCRIPTION

FIG. 1 is a perspective view of an inhaler showing our new design in a closed configuration;
FIG. 2 is a top plan view thereof;
FIG. 3 is a bottom plan view thereof;
FIG. 4 is a left side elevational view thereof;
FIG. 5 is a right side elevational view thereof;
FIG. 6 is a front elevational view thereof;
FIG. 7 is a rear elevational view thereof;
FIG. 8 is a perspective view of the inhaler of FIG. 1 in an open configuration;
FIG. 9 is a bottom plan view thereof;
FIG. 10 is a top plan view thereof;
FIG. 11 is a left side elevational view thereof;
FIG. 12 is a right side elevational view thereof;
FIG. 13 is a rear elevational view thereof; and,
FIG. 14 is a front elevational view thereof.
The dot-dash-dot broken lines represent the boundaries of the claimed design and form no part thereof. The dash-dash broken lines illustrate portions of the inhaler that form no part of the claimed design.

1 Claim, 9 Drawing Sheets



(56)

References Cited

U.S. PATENT DOCUMENTS

D577,815 S 9/2008 Gokhale et al.
 D579,544 S * 10/2008 Birath D24/110
 D579,547 S * 10/2008 Birath D24/110
 D579,548 S * 10/2008 Birath D24/110
 D583,463 S 12/2008 Wood et al.
 D590,495 S 4/2009 Lulla et al.
 D590,938 S 4/2009 Lulla et al.
 D614,024 S 4/2010 Eason et al.
 D623,054 S * 9/2010 Eason D24/110
 D641,076 S 7/2011 Grunstad et al.
 D645,734 S * 9/2011 Eason D24/110
 D646,965 S * 10/2011 Eason D24/110
 D657,045 S 4/2012 Palmer-Felgate et al.
 D659,236 S 5/2012 Bobjer et al.
 D667,105 S 9/2012 Zuyderhoudt
 D670,374 S 11/2012 Bobjer et al.
 D671,207 S 11/2012 Bobjer et al.
 D677,377 S 3/2013 White
 D684,254 S 6/2013 Zuyderhoudt
 D693,458 S 11/2013 Wright et al.
 8,985,103 B2 * 3/2015 Thoe 128/203.12
 2004/0025877 A1 * 2/2004 Crowder A61M 15/0045
 128/203.15
 2006/0157053 A1 * 7/2006 Barney A61M 15/0045
 128/200.23

2008/0236579 A1 10/2008 Zierenberg et al.
 2008/0295833 A1 12/2008 Rohrschneider et al.
 2010/0078022 A1 * 4/2010 Striebig A61M 15/0045
 128/203.15
 2010/0163042 A1 * 7/2010 Bhowmick A61M 15/0045
 128/203.15
 2010/0294278 A1 * 11/2010 Mosier A61M 15/0045
 128/203.14
 2011/0174306 A1 * 7/2011 Harris A61M 15/0045
 128/203.15
 2011/0186047 A1 * 8/2011 Lewis A61M 15/0045
 128/203.15
 2011/0271958 A1 * 11/2011 Sawant A61M 15/0045
 128/203.21
 2015/0174346 A1 * 6/2015 Dhuppad A61M 15/0026
 128/202.13

FOREIGN PATENT DOCUMENTS

EM 002226407-0002 5/2013
 EM 002242404-0001 6/2013
 EM 002242503-0001 6/2013
 EM 002242651-0001 6/2013
 EM 002256834-0002 7/2013
 EM 002258087-0001 7/2013
 EM 002270793-0002 7/2013
 EM 002321075-0001 10/2013

* cited by examiner

FIG. 1

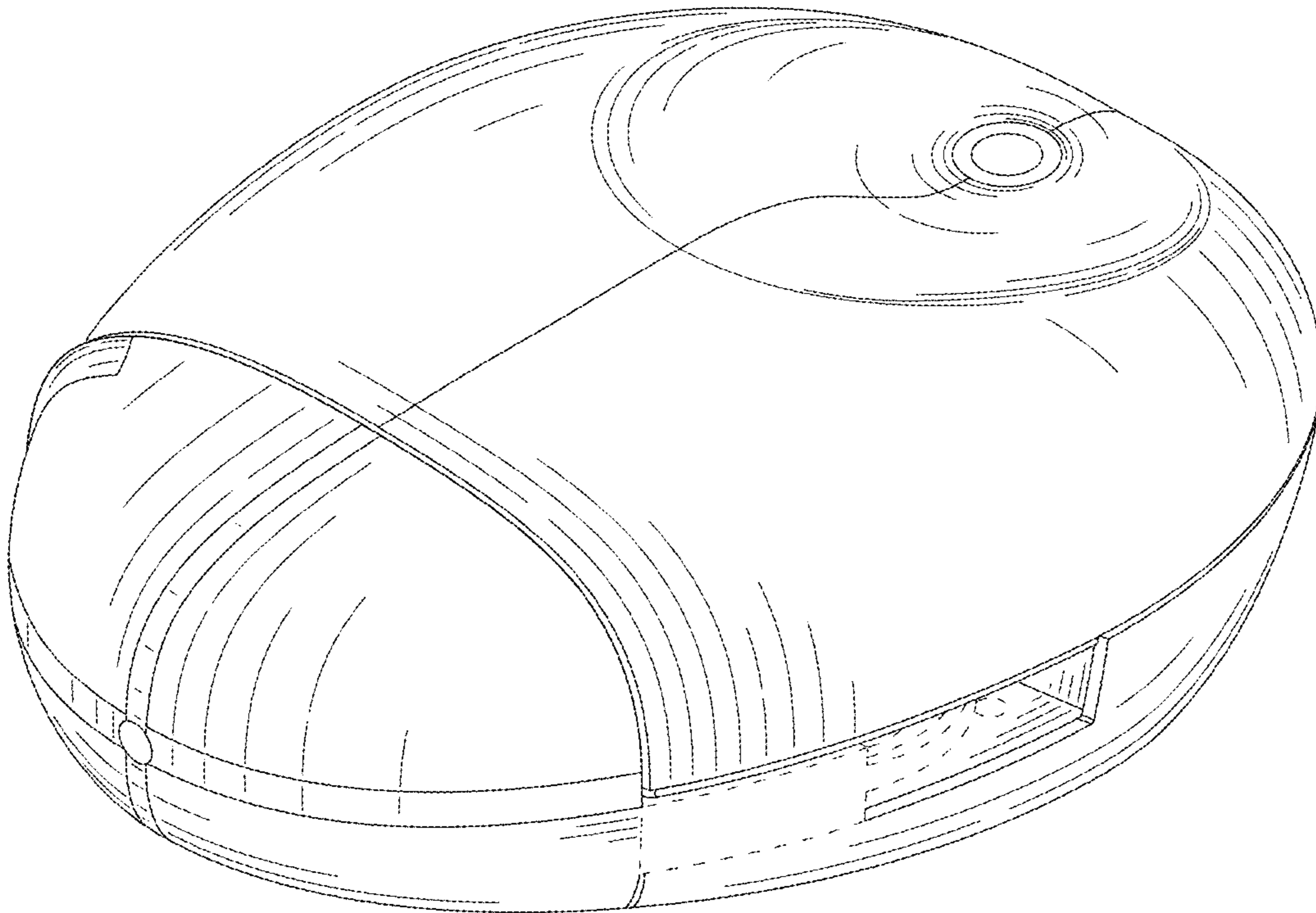


FIG. 2

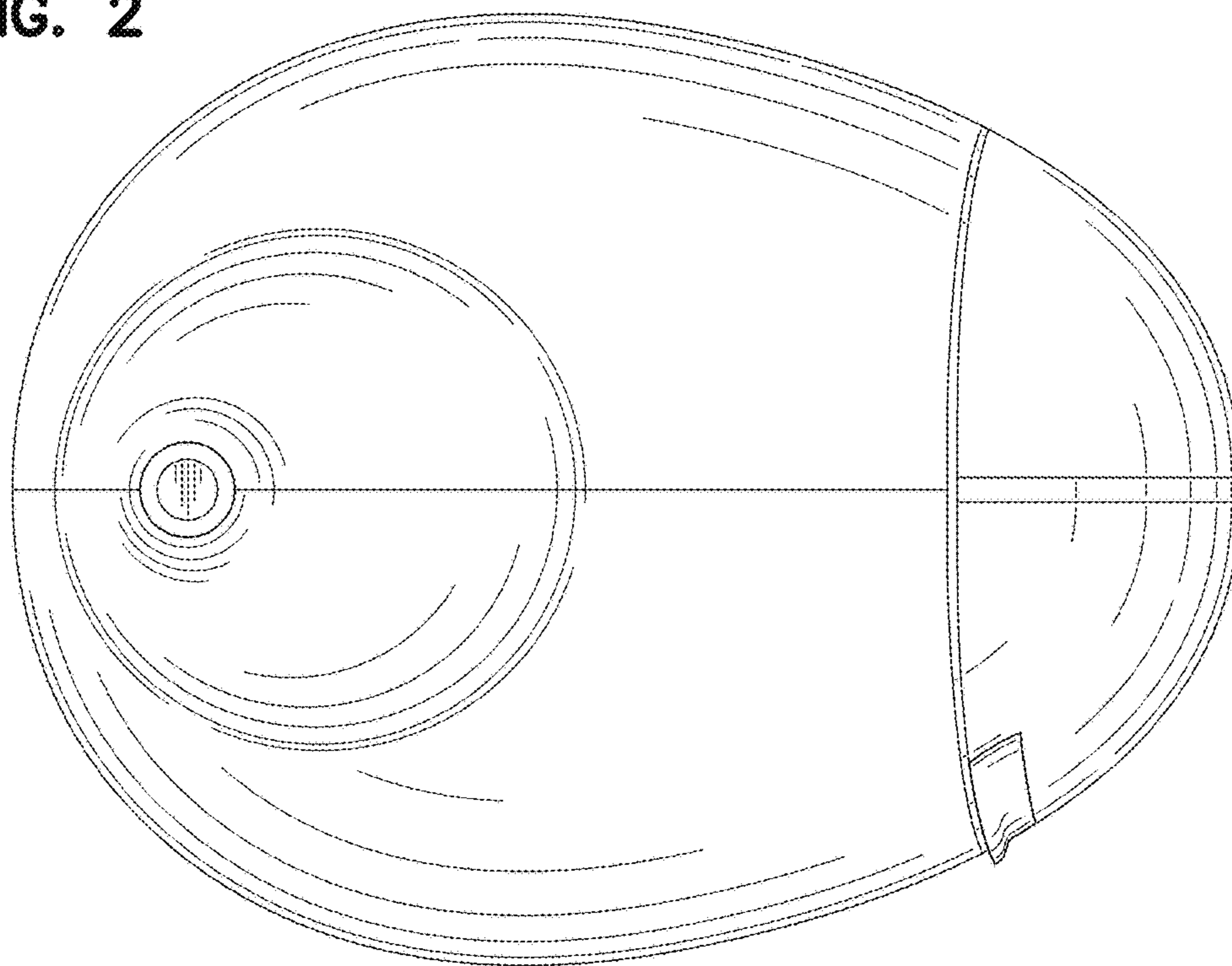


FIG. 3

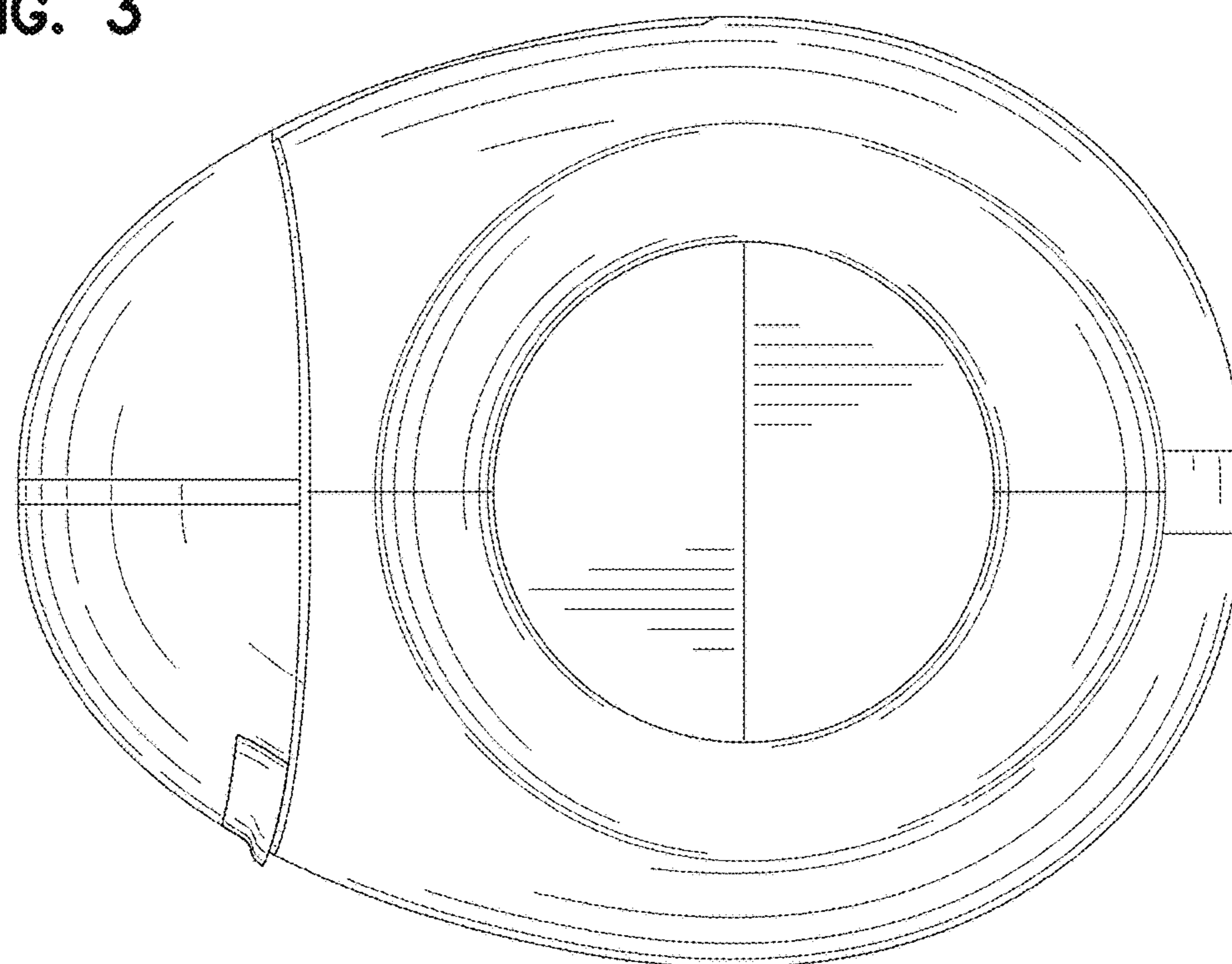


FIG. 4

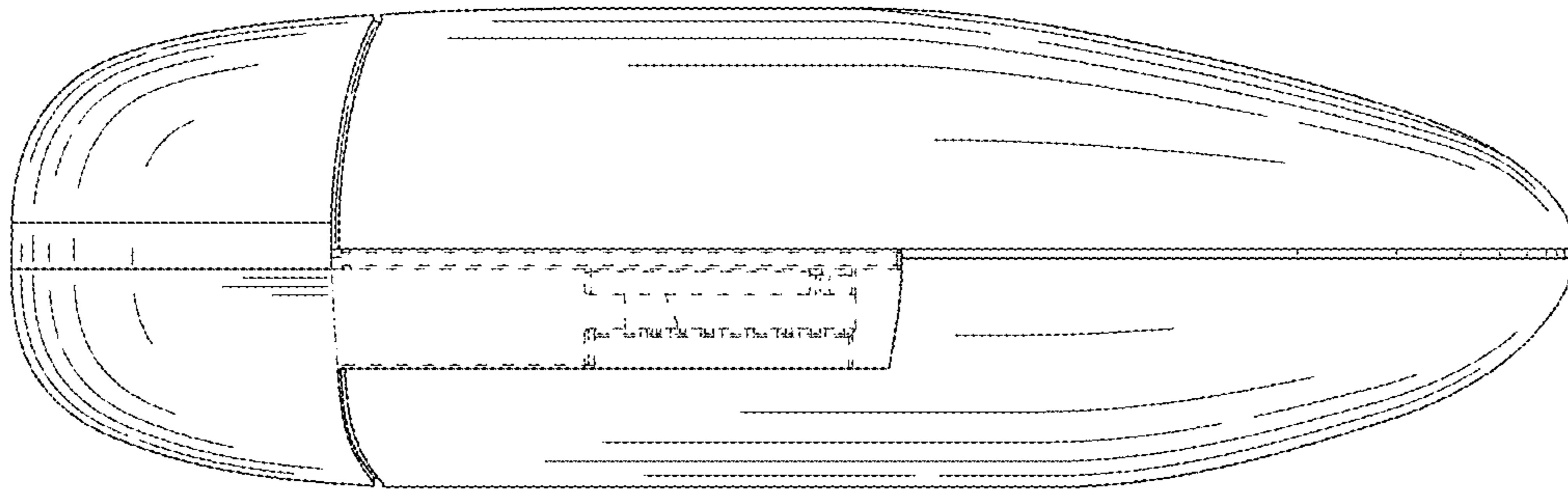


FIG. 5

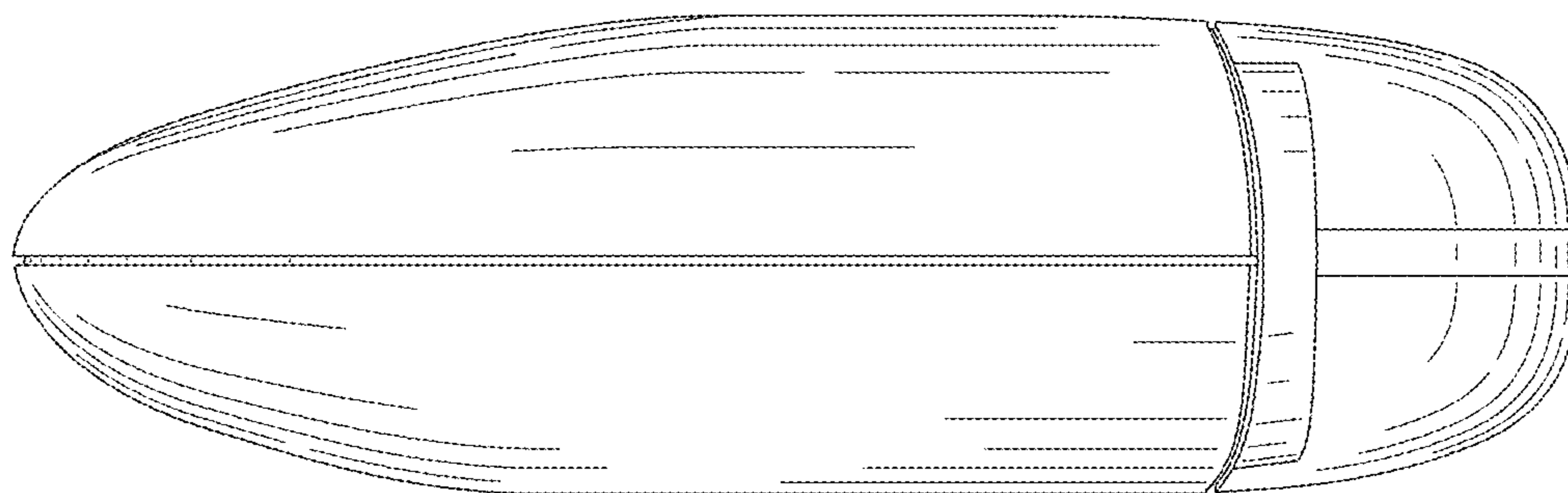


FIG. 6

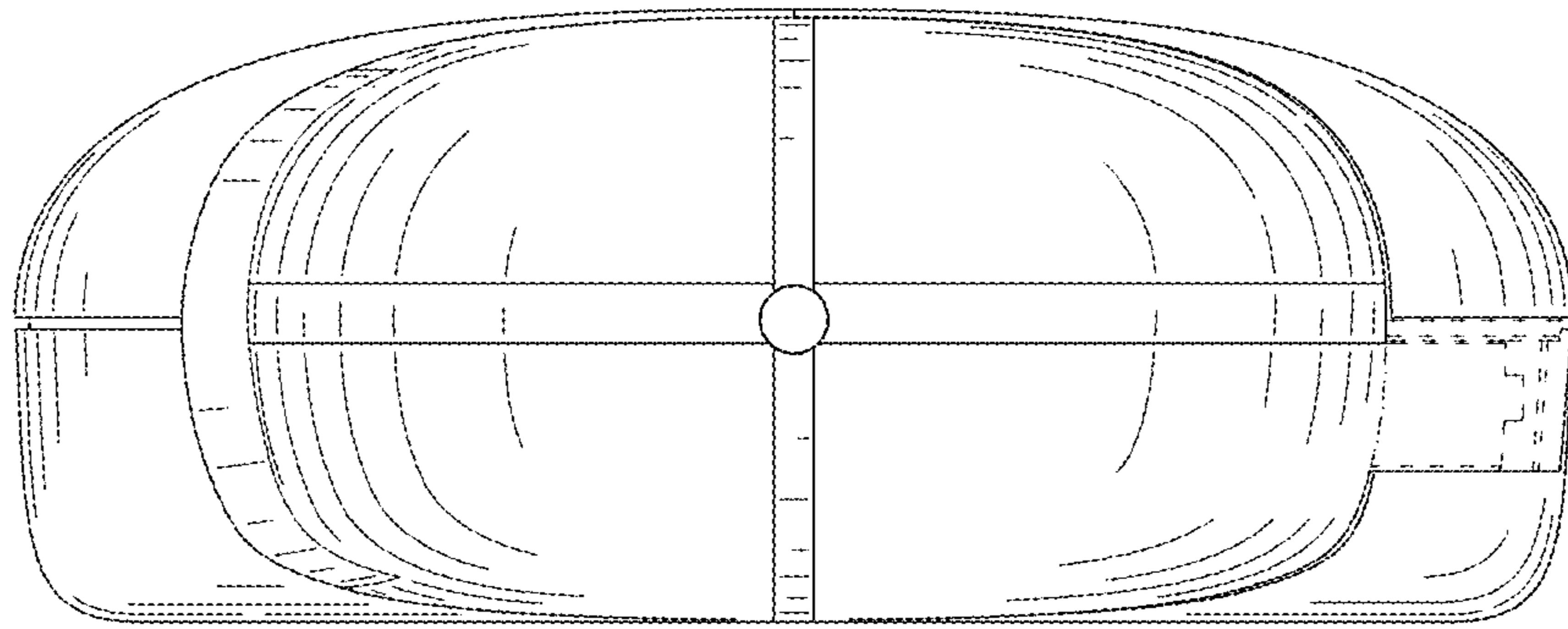


FIG. 7

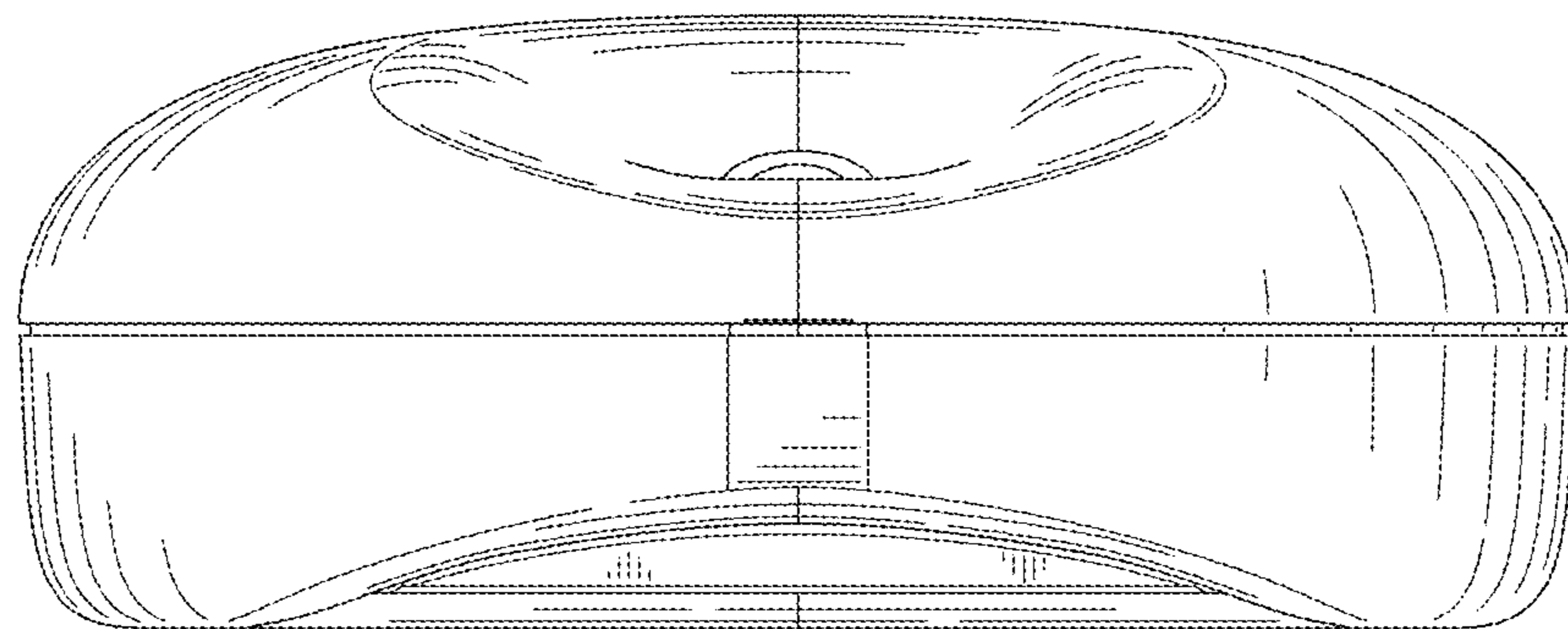


FIG. 8

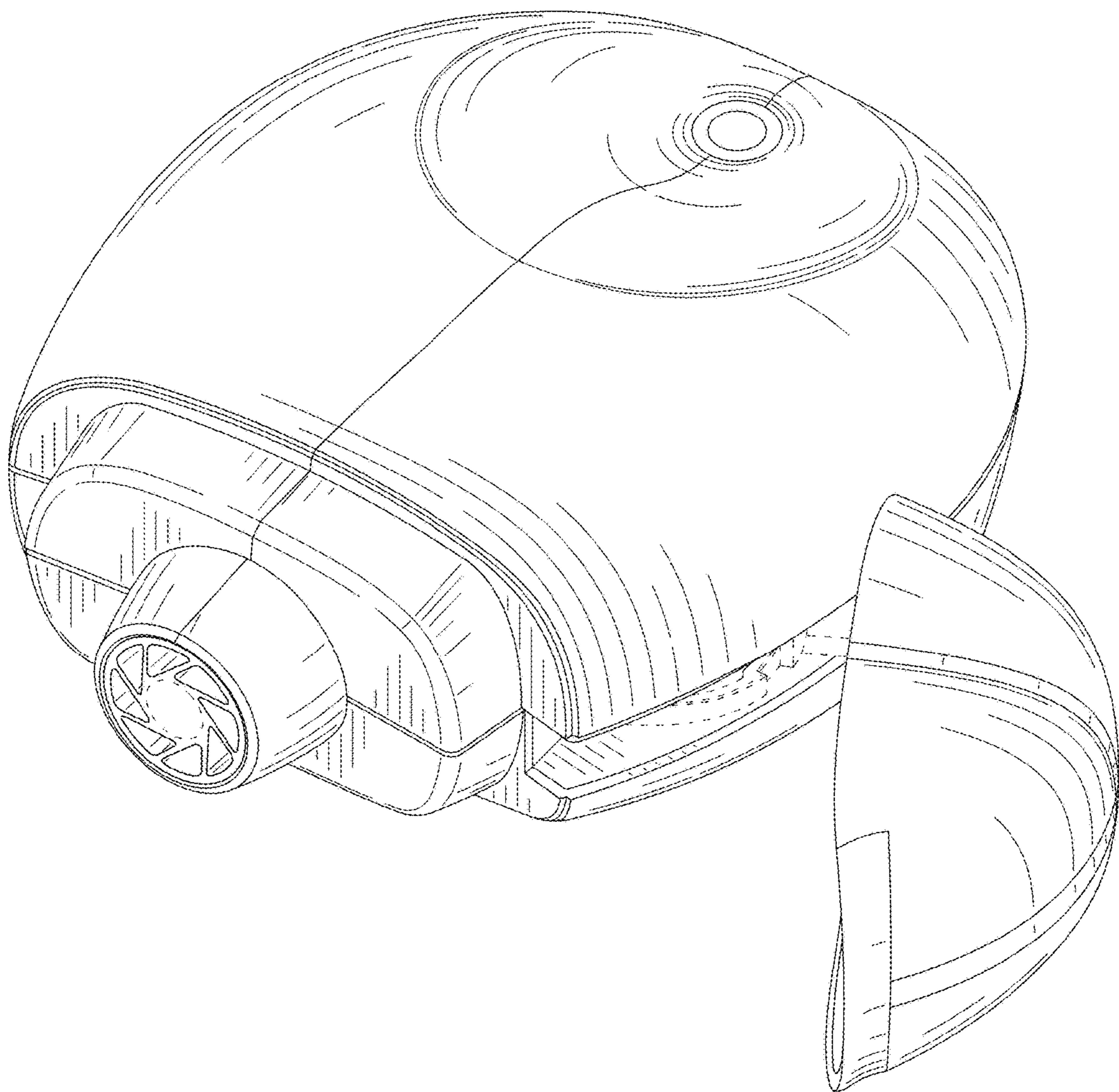


FIG. 9

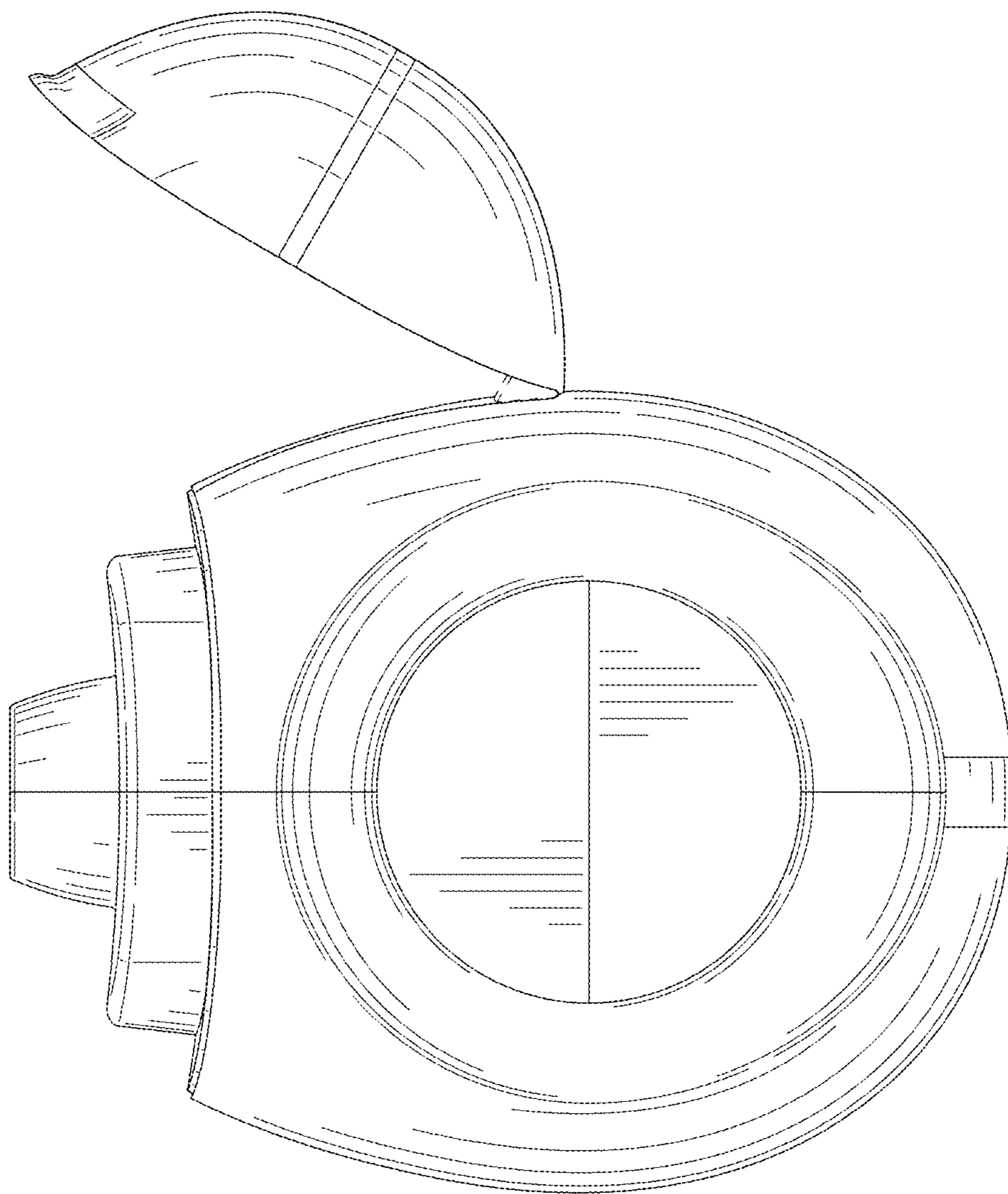


FIG. 10

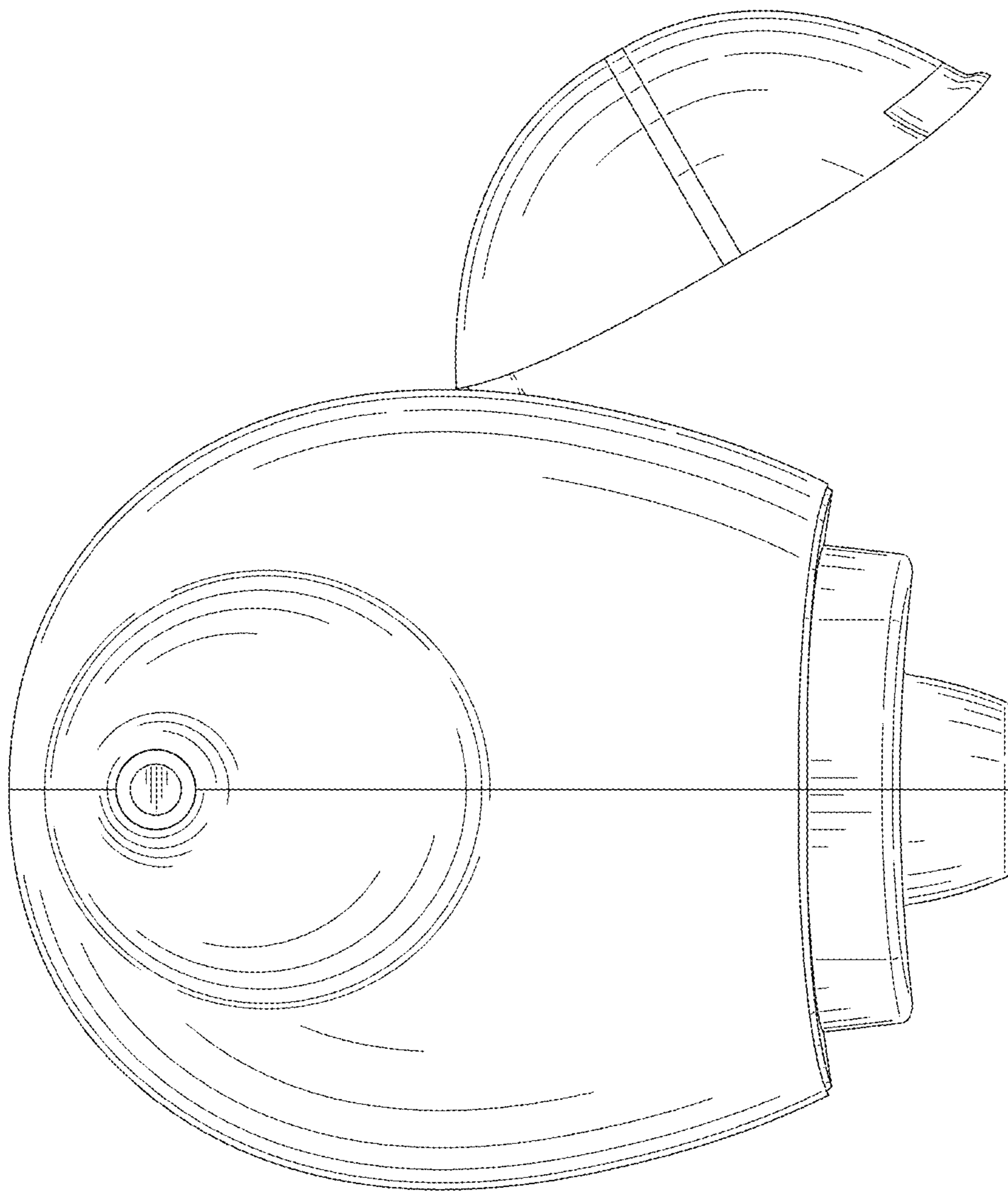


FIG. 11

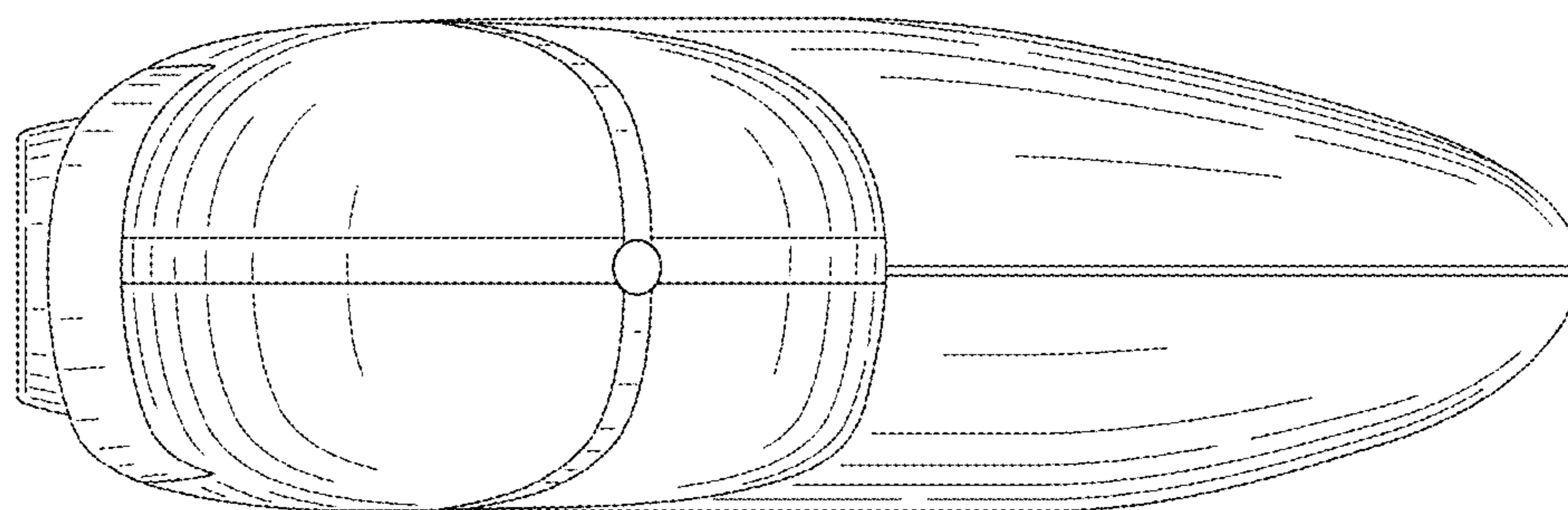


FIG. 12

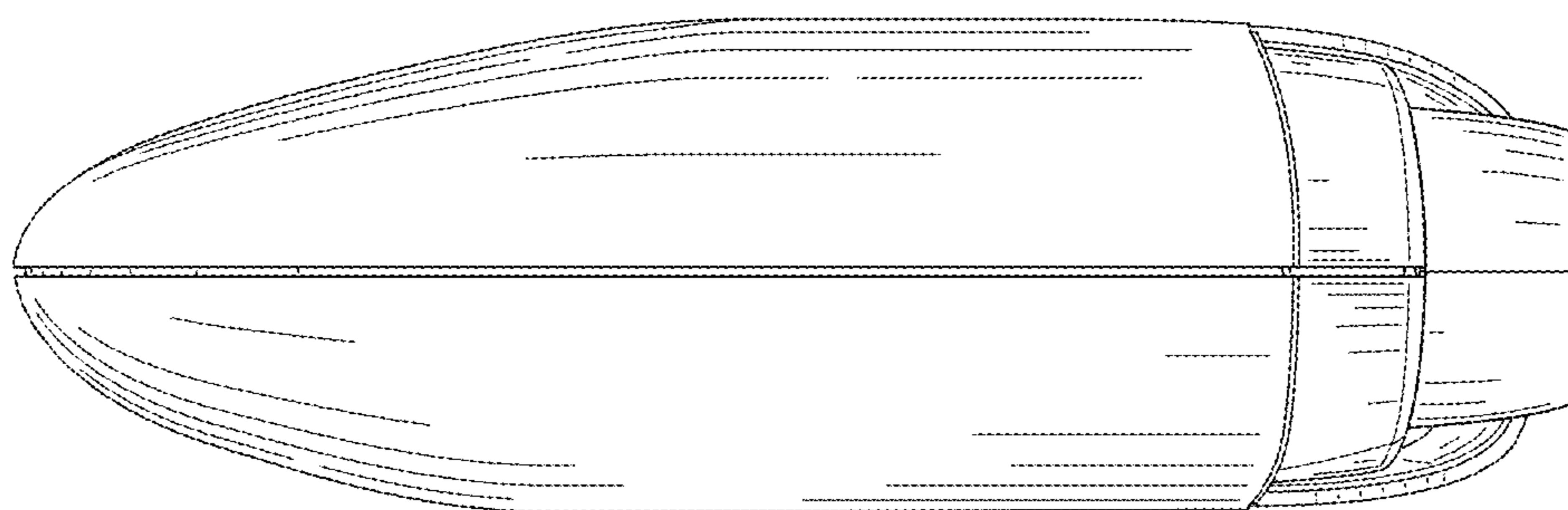


FIG. 13

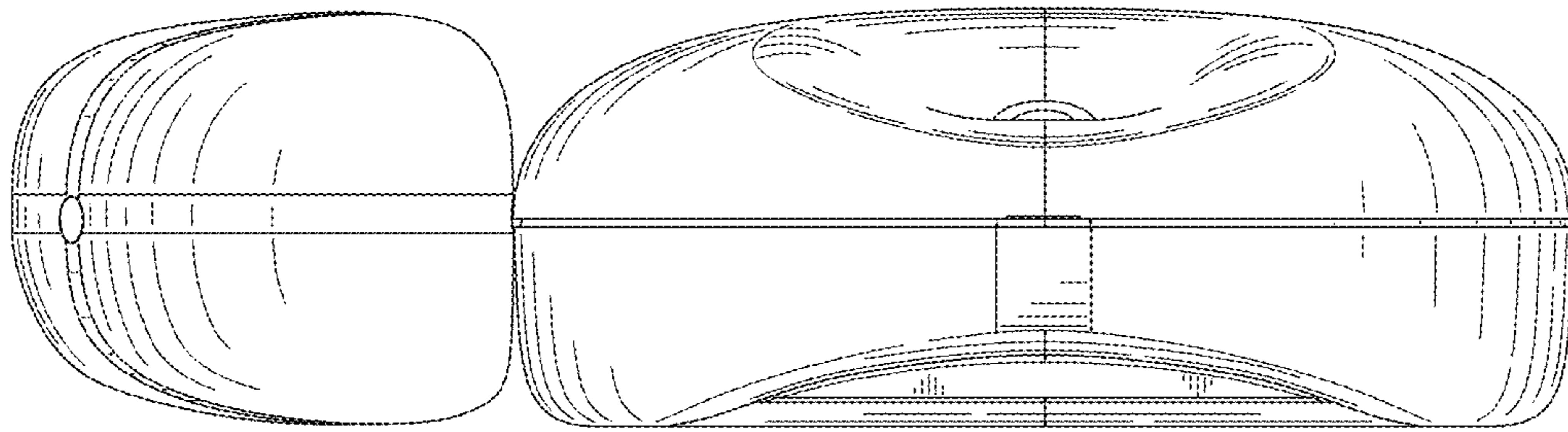


FIG. 14

