



US00D804011S

(12) **United States Design Patent** (10) **Patent No.:** **US D804,011 S**
Holmes et al. (45) **Date of Patent:** **** Nov. 28, 2017**

(54) **CEILING FAN**
(71) Applicant: **HUNTER FAN COMPANY**,
Memphis, TN (US)
(72) Inventors: **Christine Holmes**, Memphis, TN (US);
Claire Bernice McRoberts, Memphis,
TN (US)
(73) Assignee: **Hunter Fan Company**, Memphis, TN
(US)
(**) Term: **15 Years**
(21) Appl. No.: **29/556,851**
(22) Filed: **Mar. 3, 2016**
(51) **LOC (10) Cl.** **23-04**
(52) **U.S. Cl.**
USPC **D23/377**; D26/59
(58) **Field of Classification Search**
USPC D23/355, 370-376, 378-387, 412, 414,
D23/377, 411, 413; D26/59; D12/214
CPC F04D 25/088; F21V 33/0096
See application file for complete search history.

D627,046 S * 11/2010 Wang D23/377
D627,048 S 11/2010 Shurtleff
D627,049 S * 11/2010 Glasbrenner D23/411
D632,382 S * 2/2011 Pan D23/377
2004/0022636 A1* 2/2004 Bilskie F04D 25/088
416/244 R
2014/0268803 A1* 9/2014 Keng F21V 5/04
362/294

OTHER PUBLICATIONS

<http://www.montecarlofans.com/33294/44-Centro-Max-II-5CQM44PN.html>, Item Specification for the Monte Carlo Centro Max II, Product #: 5CQM44PN, 52 Inch Canfield Ceiling Fan 300117WH (White), accessed Mar. 3, 2016.

(Continued)

Primary Examiner — Cathron C Brooks
Assistant Examiner — Sharon S Oum
(74) *Attorney, Agent, or Firm* — McGarry Bair PC

(57) **CLAIM**

The ornamental design for a ceiling fan, as shown and described.

DESCRIPTION

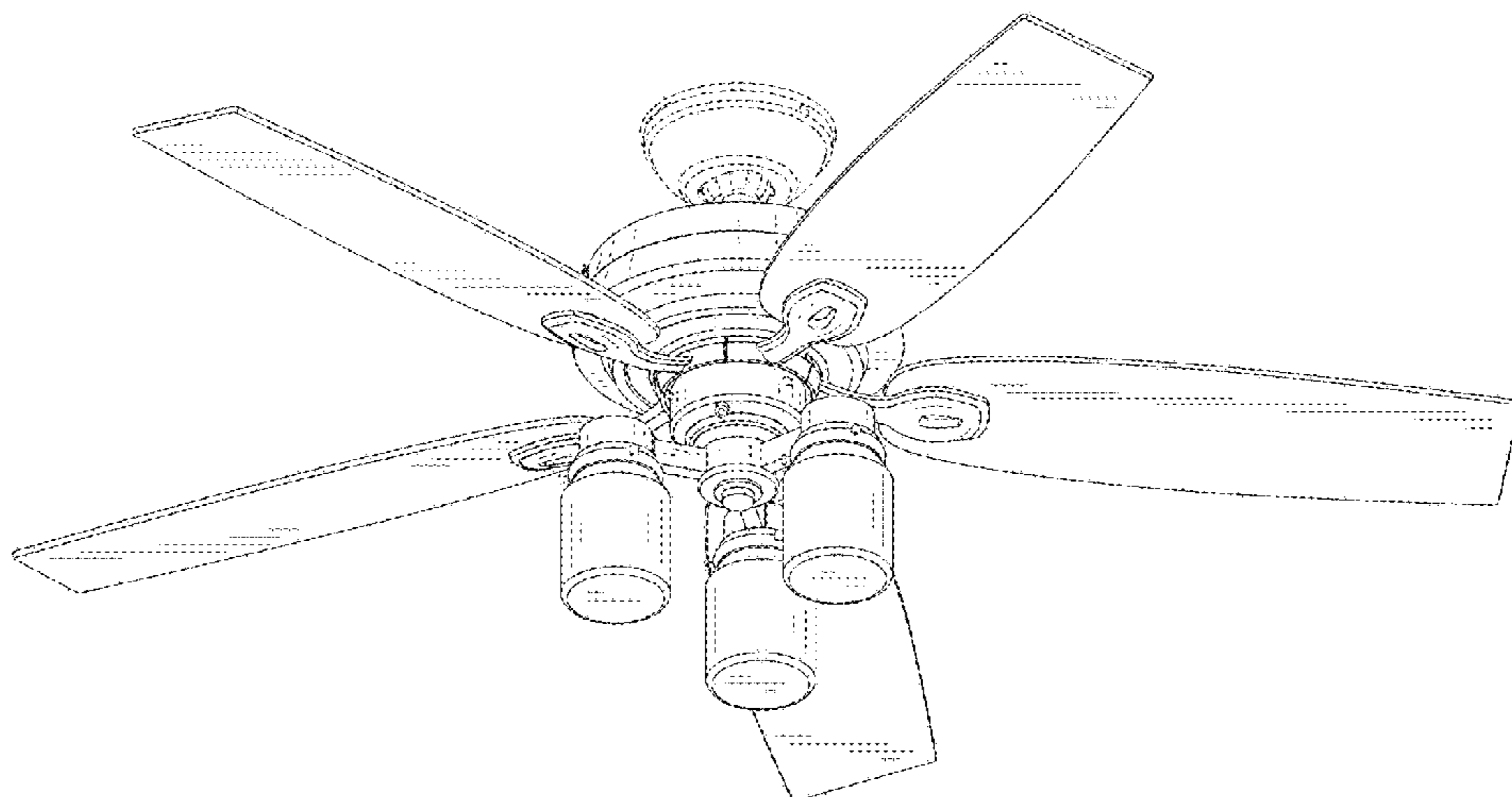
FIG. 1 is a top perspective view of a ceiling fan showing our new design;
FIG. 2 is a bottom perspective view of the ceiling fan of FIG. 1;
FIG. 3 is a top view of the ceiling fan of FIG. 1;
FIG. 4 is a bottom view of the ceiling fan of FIG. 1;
FIG. 5 is a front view of the ceiling fan of FIG. 1;
FIG. 6 is a rear view of the ceiling fan of FIG. 1;
FIG. 7 is a left side view of the ceiling fan of FIG. 1; and,
FIG. 8 is a right side view of the ceiling fan of FIG. 1.
Portions of the ceiling fan shown in broken lines form no part of the claimed design.

1 Claim, 6 Drawing Sheets

(56) **References Cited**

U.S. PATENT DOCUMENTS

D315,205 S * 3/1991 Cook D23/377
D344,794 S * 3/1994 Galler D23/377
5,404,284 A * 4/1995 Davis, Jr. F04D 25/088
362/147
D421,113 S * 2/2000 Zuege D23/377
D483,463 S * 12/2003 Tai D23/377
D485,349 S * 1/2004 Burns D23/411
D486,215 S * 2/2004 Hsieh D23/377
D489,810 S * 5/2004 Burns D23/411
D499,478 S * 12/2004 Thomas, Jr. D23/411
D504,501 S 4/2005 Young
D533,937 S * 12/2006 Pan D23/411
D567,421 S 4/2008 Pan



(56)

References Cited

OTHER PUBLICATIONS

<http://www.kichler.com/products/product/52-inch-canfield-ceiling-fan-wh-300117wh.aspx>, Item Specification for The Kichler Canfield 52 Inch Canfield Ceiling Fan 300117WH (White), accessed Mar. 3, 2016.

<http://www.minkagroup.net/products/f614-dbb>, Item Specification for The MinkaAire Timeless 54" 5 Blade in Dark Brushed Bronze Finish w/Dark Maple Blades Model #F614-DBB, accessed Mar. 3, 2016.

<http://ceilingfans.emerson.com/shop/en/fan/fans-s-emerson-fans/emerson-fans-browse-all/ashland-fan-p-cf717>, Item Specification for the Emerson Ashland Model #CF717ORB, accessed Mar. 3, 2016.

http://www.fanimation.com/products/edgewood_deluxe/, Item Specification for The Fanimation Edgewood Model No. TF610, accessed Mar. 3, 2016.

<http://www.kingoffans.com/#/products>, Item Specification for the King of Fans Chardonnay Model #51528, accessed Mar. 3, 2016.

<https://www.etsy.com/listing/152096263/mason-jar-ceiling-fan-light-kit-only>, Item Specification for The LampGoods Mason Jar Ceiling Fan (Light Kit Only), accessed Mar. 3, 2016.

<http://www.craftmade.com/Collections-by-Craftmade.HTML>, Item Specification for The Craftmade Trenton Model # TRE54ESP5, accessed Mar. 3, 2016.

* cited by examiner

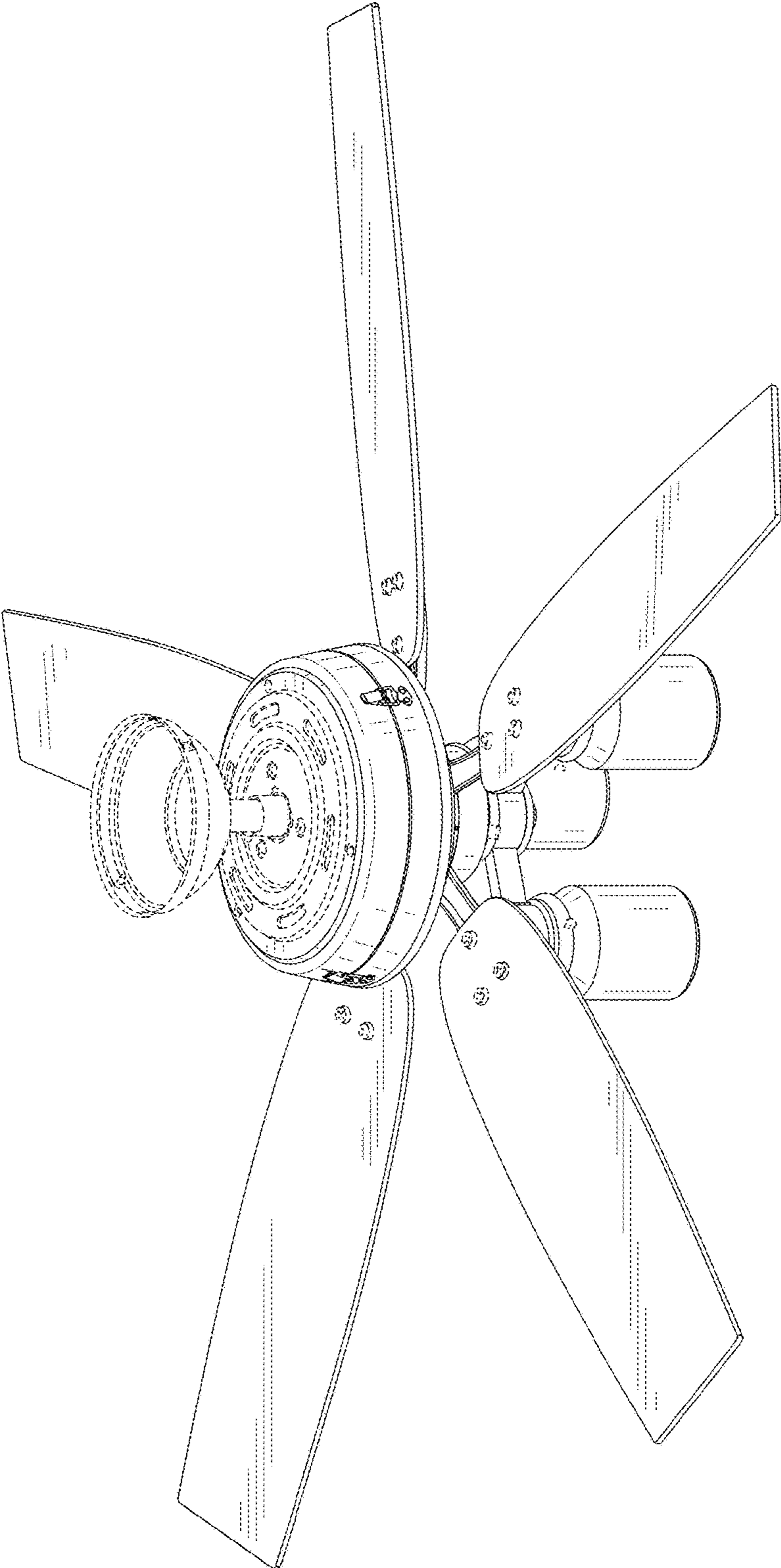


FIG. 1

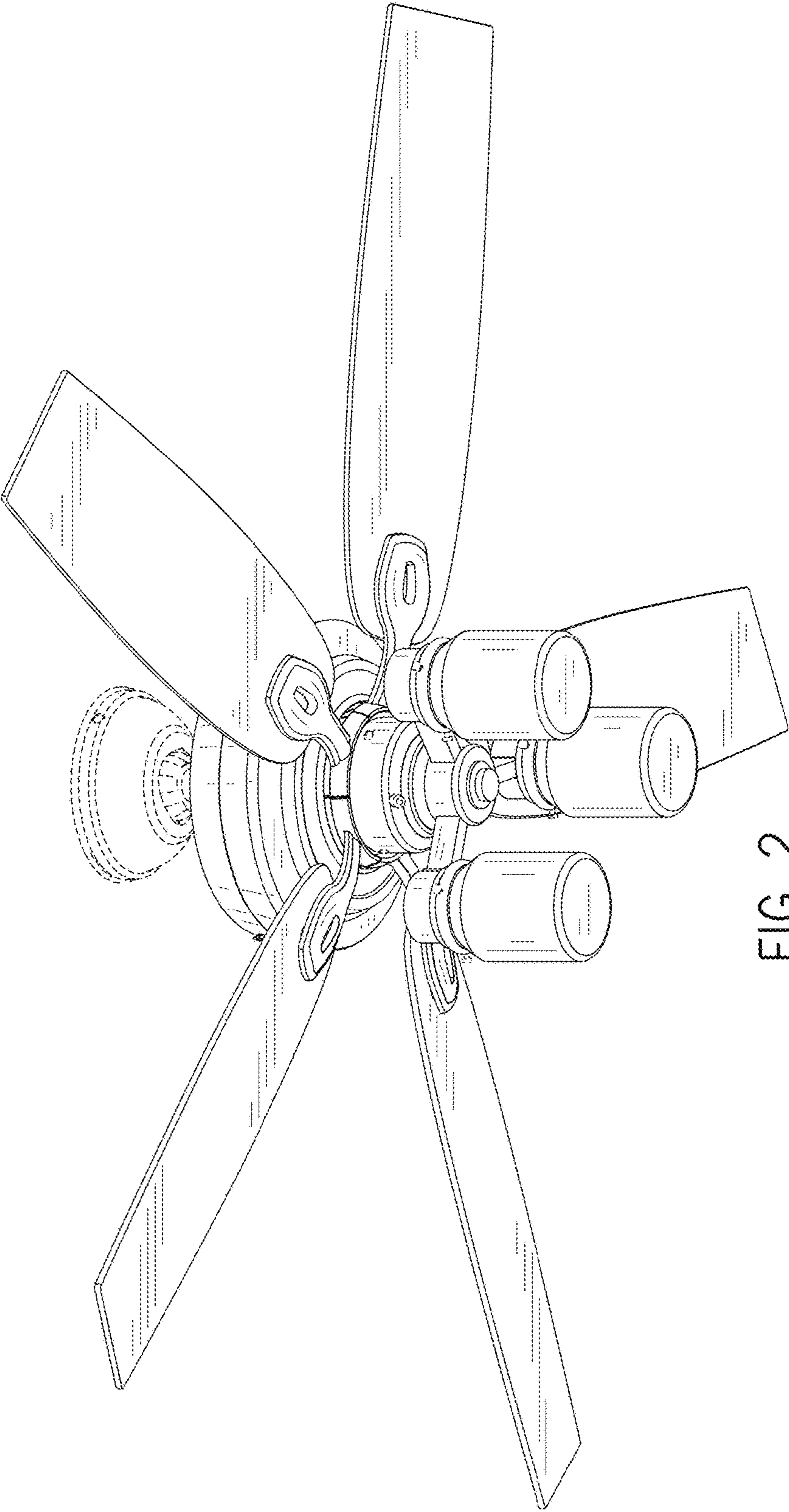


FIG. 2

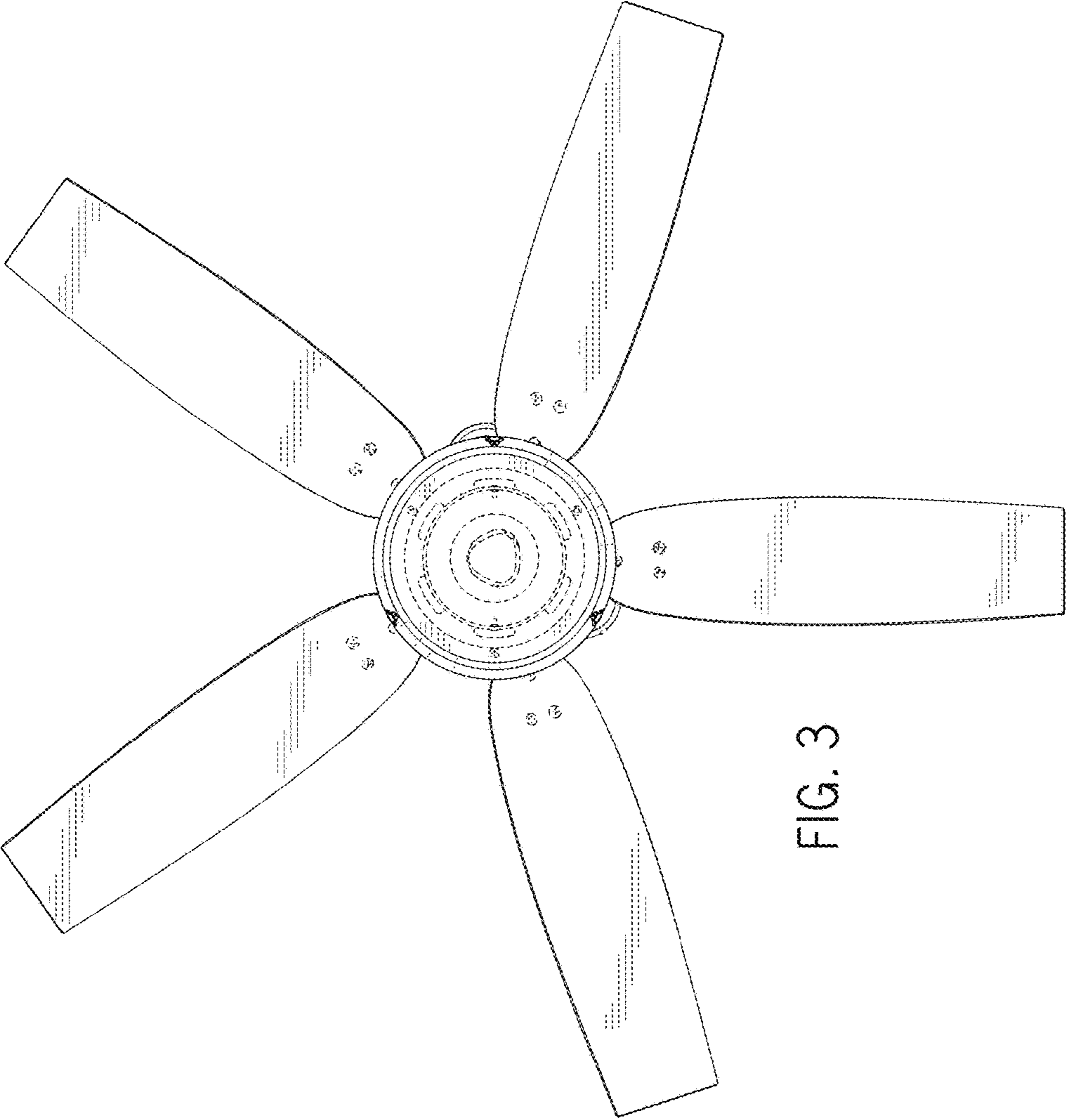


FIG. 3

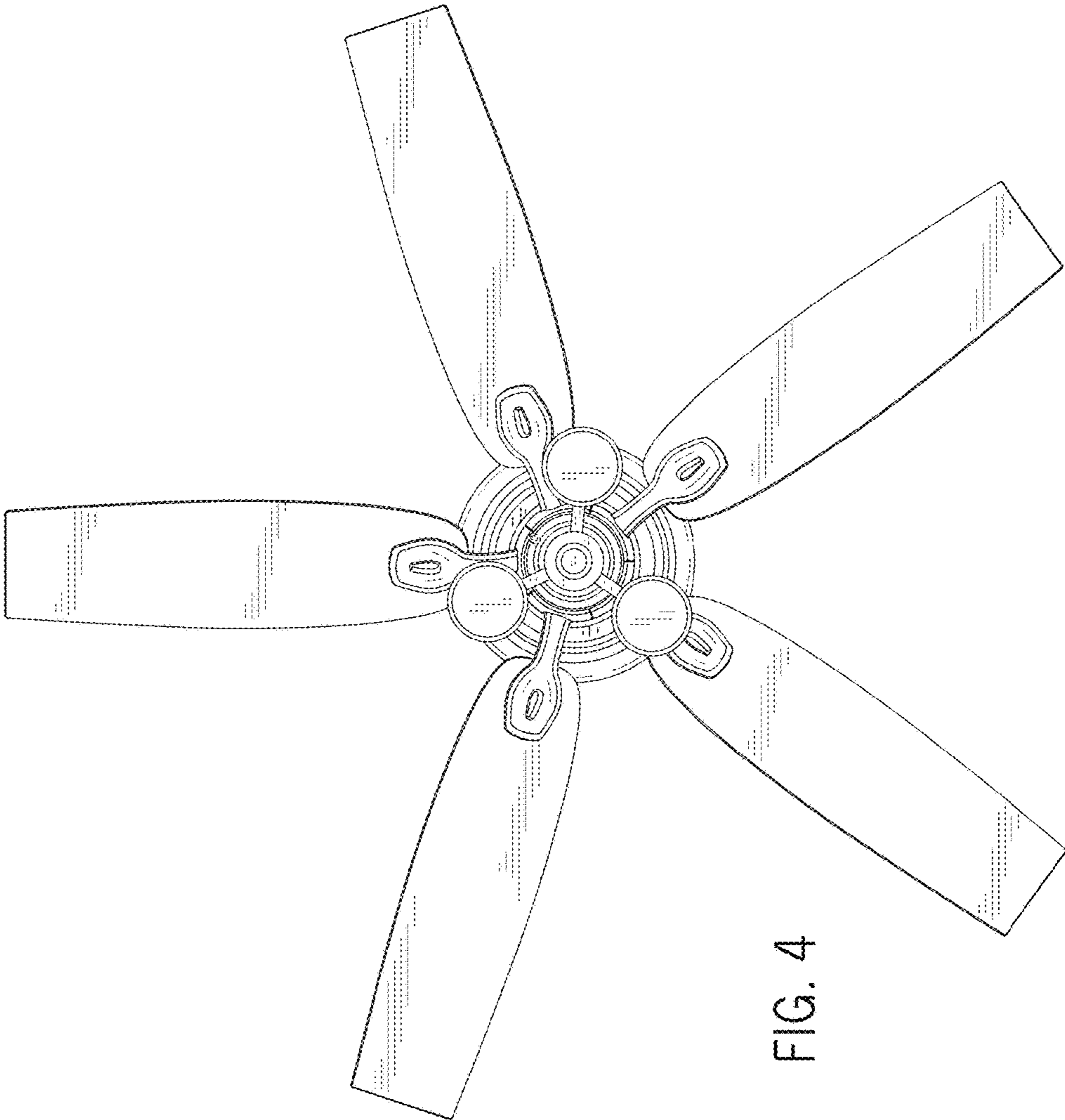


FIG. 4

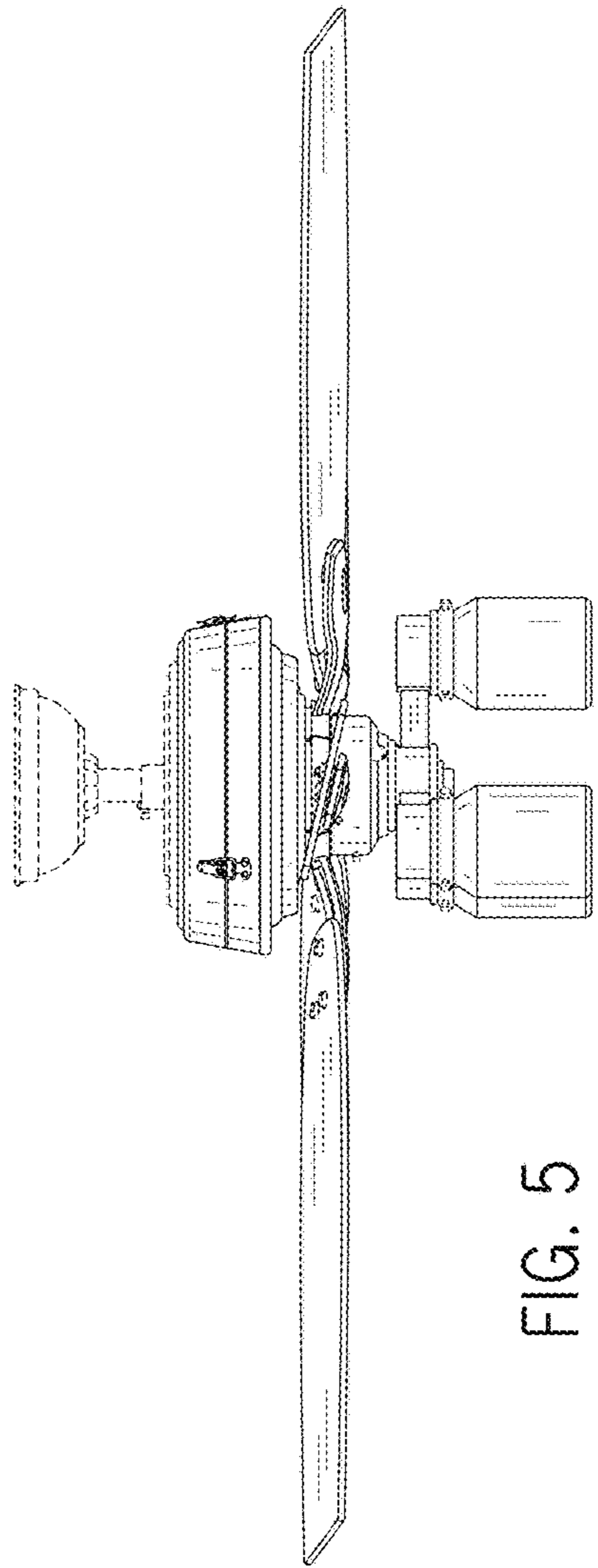


FIG. 5

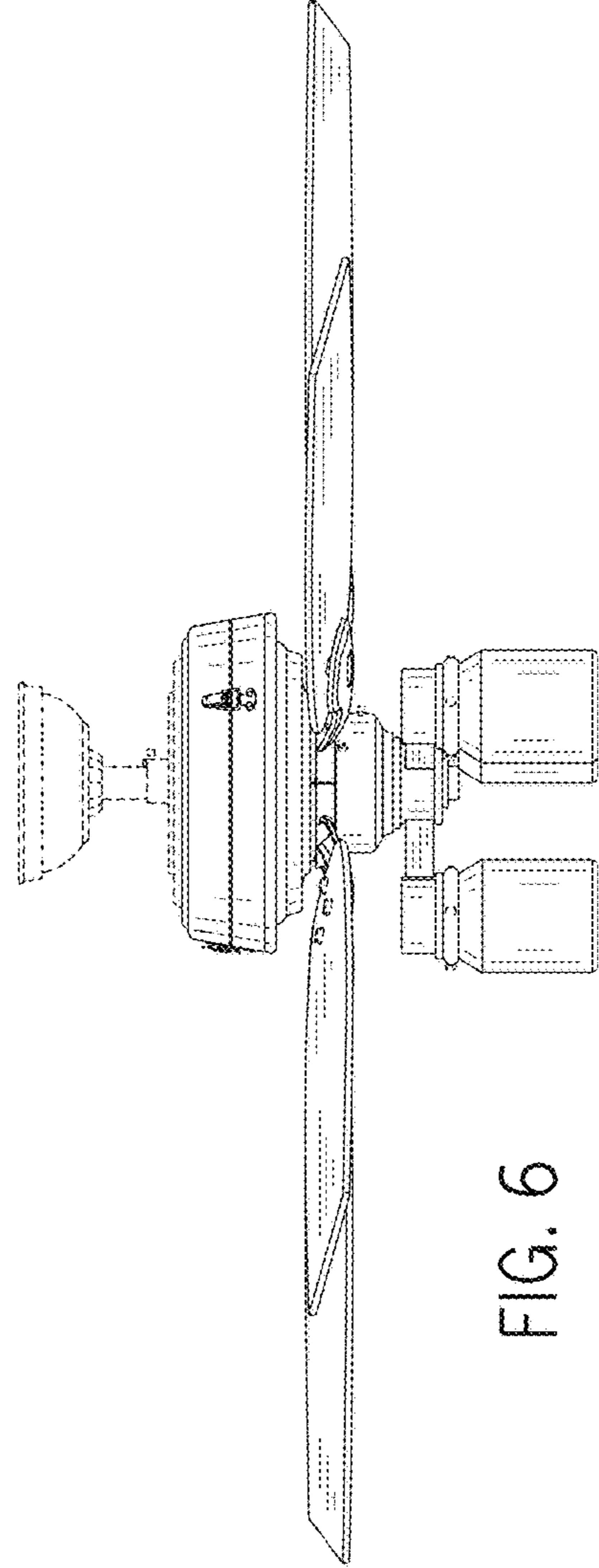


FIG. 6

