



US00D804010S

(12) **United States Design Patent** (10) **Patent No.:** **US D804,010 S**
Guthrie (45) **Date of Patent:** **** Nov. 28, 2017**

- (54) **CEILING FAN**
- (71) Applicant: **HUNTER FAN COMPANY,**
Memphis, TN (US)
- (72) Inventor: **Benjamin Scotti Guthrie,**
Germantown, TN (US)
- (73) Assignee: **Hunter Fan Company,** Memphis, TN
(US)
- (**) Term: **15 Years**
- (21) Appl. No.: **29/556,776**
- (22) Filed: **Mar. 3, 2016**
- (51) **LOC (10) Cl.** **23-04**
- (52) **U.S. Cl.**
USPC **D23/377**
- (58) **Field of Classification Search**
USPC D23/355, 370-376, 378-387, 412, 414,
D23/377, 411, 413; D26/59; D12/214
CPC F04D 25/088; F21V 33/0096
See application file for complete search history.

- D632,381 S * 2/2011 Davenport D23/377
- D705,970 S * 5/2014 Ertze D26/59
- D707,336 S * 6/2014 Pan D23/377
- D751,187 S * 3/2016 Dolan D23/377
- 2015/0078906 A1* 3/2015 Wang F04D 29/34
416/219 R

OTHER PUBLICATIONS

Hunter 59216 52" Dempsey Ceiling Fan with Light and Remote, Brushed Nickel, date first available Feb. 29, 2016, amazon.com, site visited Jun. 21, 2017, Copyright © 1996-2017, Available from Internet, <https://www.amazon.com/Hunter-59216-Dempsey-Ceiling-Fan/dp/B01CDFZRTS/ref=pd_rhf_dp_s_cp_6?_encoding=UTF8&pd_rd_i=B01CDFZRTS&pd_rd_r=H1FJ244WDSQCSPDBZ8X>.

(Continued)

Primary Examiner — Cathron C Brooks
Assistant Examiner — Sharon S Oum
(74) *Attorney, Agent, or Firm* — McGarry Bair PC

(57) **CLAIM**

The ornamental design for a ceiling fan, as shown and described.

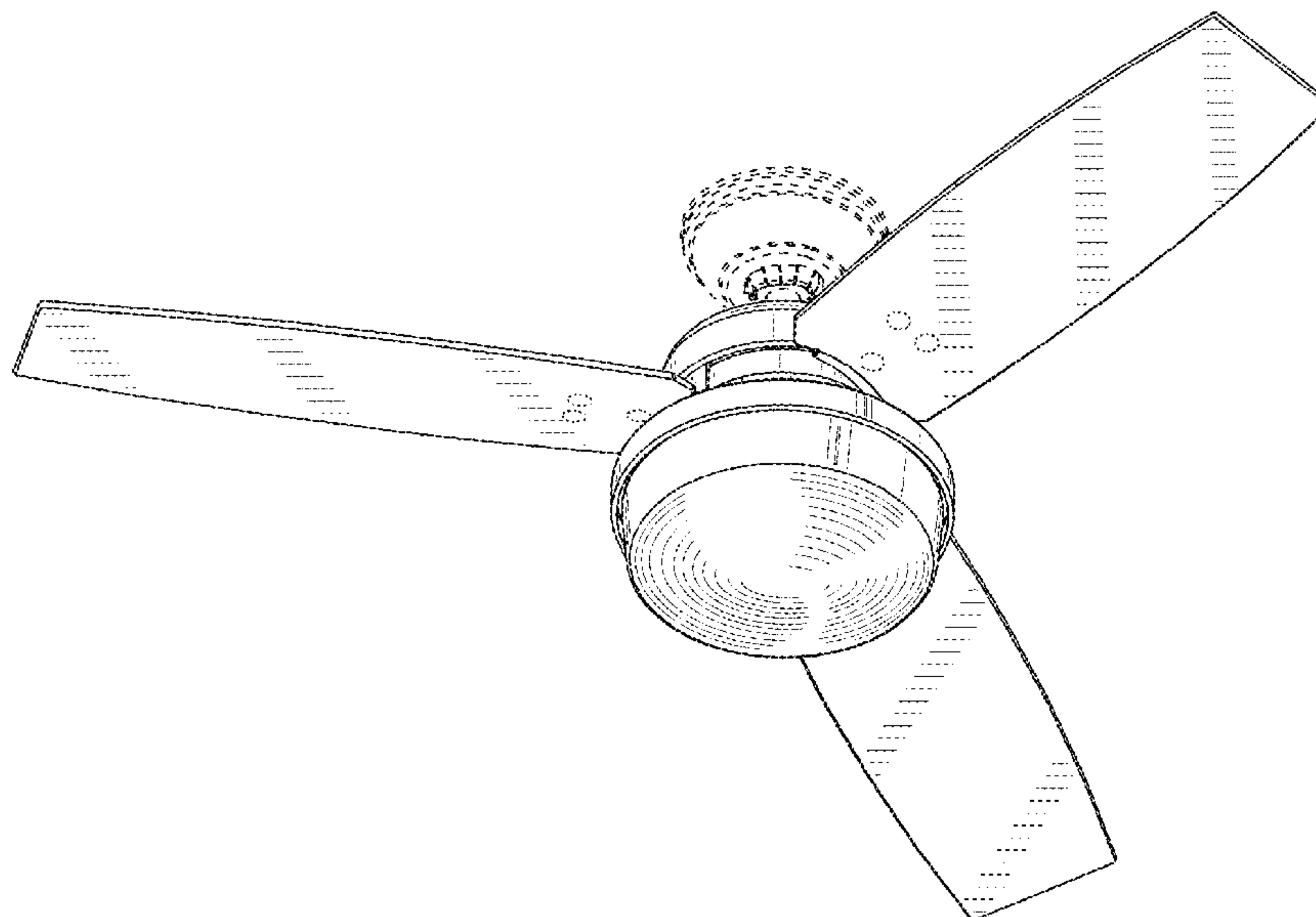
DESCRIPTION

FIG. 1 is a top perspective view of a ceiling fan showing my design;
FIG. 2 is a bottom perspective view of the ceiling fan of FIG. 1;
FIG. 3 is a top view of the ceiling fan of FIG. 1;
FIG. 4 is a bottom view of the ceiling fan of FIG. 1;
FIG. 5 is a front view of the ceiling fan of FIG. 1;
FIG. 6 is a rear view of the ceiling fan of FIG. 1;
FIG. 7 is a right side view of the ceiling fan of FIG. 1; and,
FIG. 8 is a left side view of the ceiling fan of FIG. 1.
Portions of the drawings shown in broken lines form no part of the claimed design.

1 Claim, 8 Drawing Sheets

(56) **References Cited**
U.S. PATENT DOCUMENTS

- 4,592,702 A * 6/1986 Bogage F04D 25/088
310/89
- D314,618 S * 2/1991 Yen D23/377
- D421,113 S * 2/2000 Zuege D23/377
- D453,216 S * 1/2002 Gajewski D23/377
- D525,694 S * 7/2006 Young
- D532,510 S * 11/2006 Pickett D23/411
- 7,210,910 B1 * 5/2007 Parker F04D 25/088
416/223 R
- D627,456 S * 11/2010 Glasbrenner D23/411
- D627,873 S * 11/2010 Pan D23/411
- D627,874 S * 11/2010 Pan D23/411
- D628,688 S * 12/2010 Pan D23/377



(56)

References Cited

OTHER PUBLICATIONS

Fanimation FP6728DZ Xeno, date first available Sep. 26, 2015, amazon.com, site visited Jun. 21, 2017, Copyright © 1996-2017, Available from Internet, <https://www.amazon.com/Fanimation-FP6728DZ-Xeno-Blades-Bronze/dp/B015UH37L6/ref=sr_1_1?ie=UTF8&qid=1498052903&sr=8-1&keywords=fanimation+xeno>.*

<http://www.menards.com/main/p-1444424537879-c-7487.htm?tid=3675202324194494198>, Item Specification for The Turn of the Century Montego Bay 52" Weathered Copper Wet Rated Ceiling Fan, Model # CP152115, accessed Mar. 2, 2016.

<http://www.quoruminternational.com/index.cfm/app/productDetail?product=82524-86>, Item Specification for The Quorum International Model # 82524-86, Oiled Bronze Ceiling Fan (1) 75W Oiled Bronze blades, accessed Mar. 2, 2016.

[\[storelocator.beans LocatorStoreBean%4016bc16bc%5D&storeNumber=1517&kpid=50057405&cm_mmc=SCE_PLA-_-FashionFixtures-_-CeilingFans-_-50057405%3AHunter&CAWELAID=&CAWELAID=320011480001472458#img\]\(storelocator.beans LocatorStoreBean%4016bc16bc%5D&storeNumber=1517&kpid=50057405&cm_mmc=SCE_PLA-_-FashionFixtures-_-CeilingFans-_-50057405%3AHunter&CAWELAID=&CAWELAID=320011480001472458#img\), Item Specification for the Hunter Windemere 54-in Brushed Nickel Downrod Mount Ceiling Fan with Light Kit and Remote, accessed Mar. 2, 2016.

<http://www.kingoffans.com/#/products/ceilingFans>, Item Specification for the King of Fans Cabrerra, Model #61375, accessed Mar. 2, 2016.

<http://ceilingfans.emerson.com/shop/en/fan/fans-s-emerson-fans/fans-s-contemporary/highpointe-fan-p-cf205>, Item specification for the Emerson Highpointe, Model # CF205GES, accessed Mar. 2, 2016.

<http://www.kichler.com/products/product/52-inch-leeds-fan-obb-300427obb.aspx>, Item Specification for the Kichler Leeds Colection 52 Inch Leeds Fan OBB, accessed Mar. 2, 2016.

<http://ceilingfans.emerson.com/shop/en/fan/fans-s-emerson-fans/fans-s-transitional/portland-eco-fan-p-cf965>, Item Specification for the Emerson Portland Eco Model # CF965BS, accessed Mar. 2, 2016.](http://www.lowes.com/pd_459540-79-59039_0_?k_clickID=1b862be8-cceb-4c5b-9fdb-fabda0a026c7&store_code=1517&productId=50057405&selectLocalStoreBeanArray=%5Bcom.lowes.commerce.</p>
</div>
<div data-bbox=)

* cited by examiner

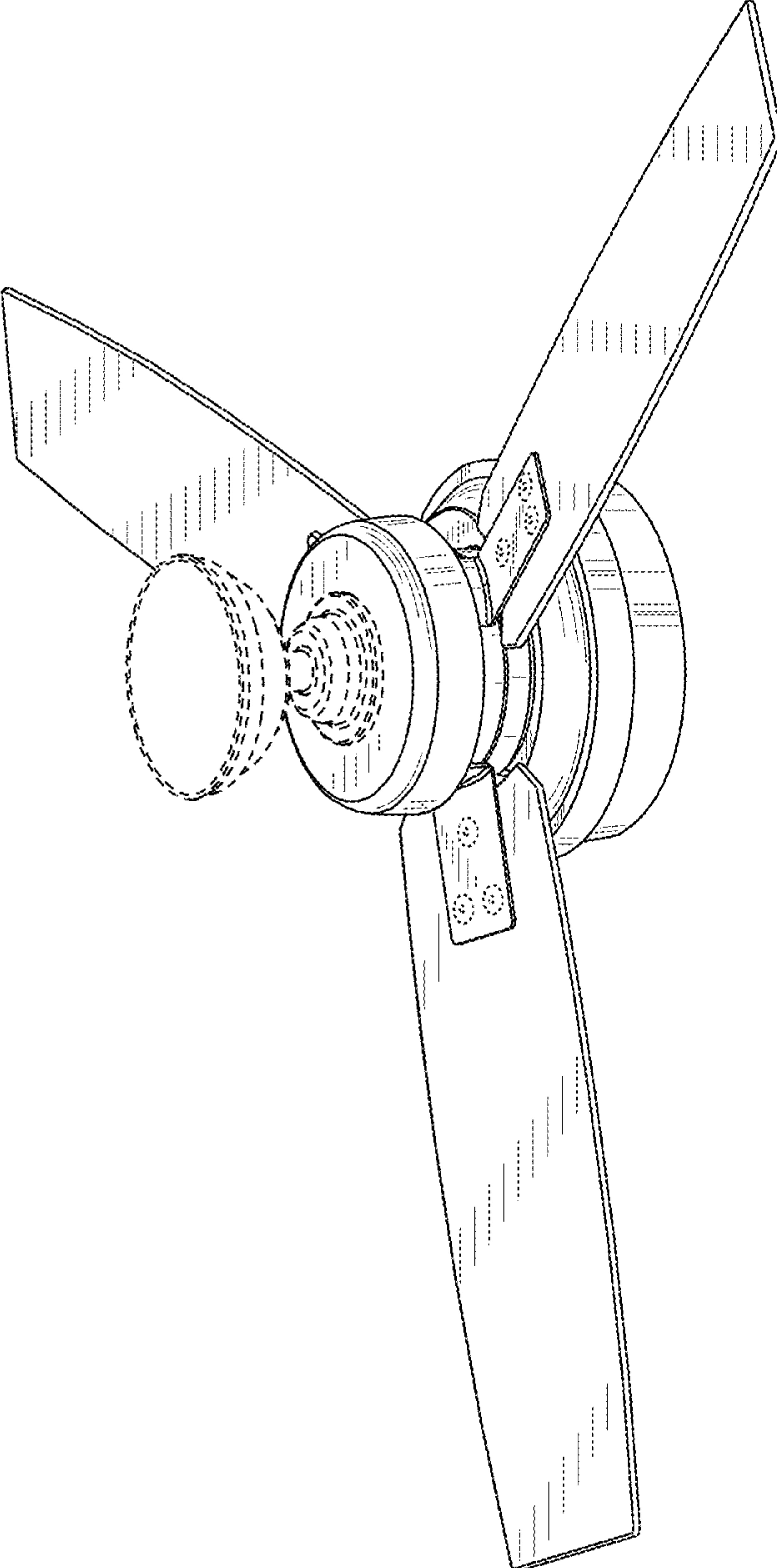


FIG. 1

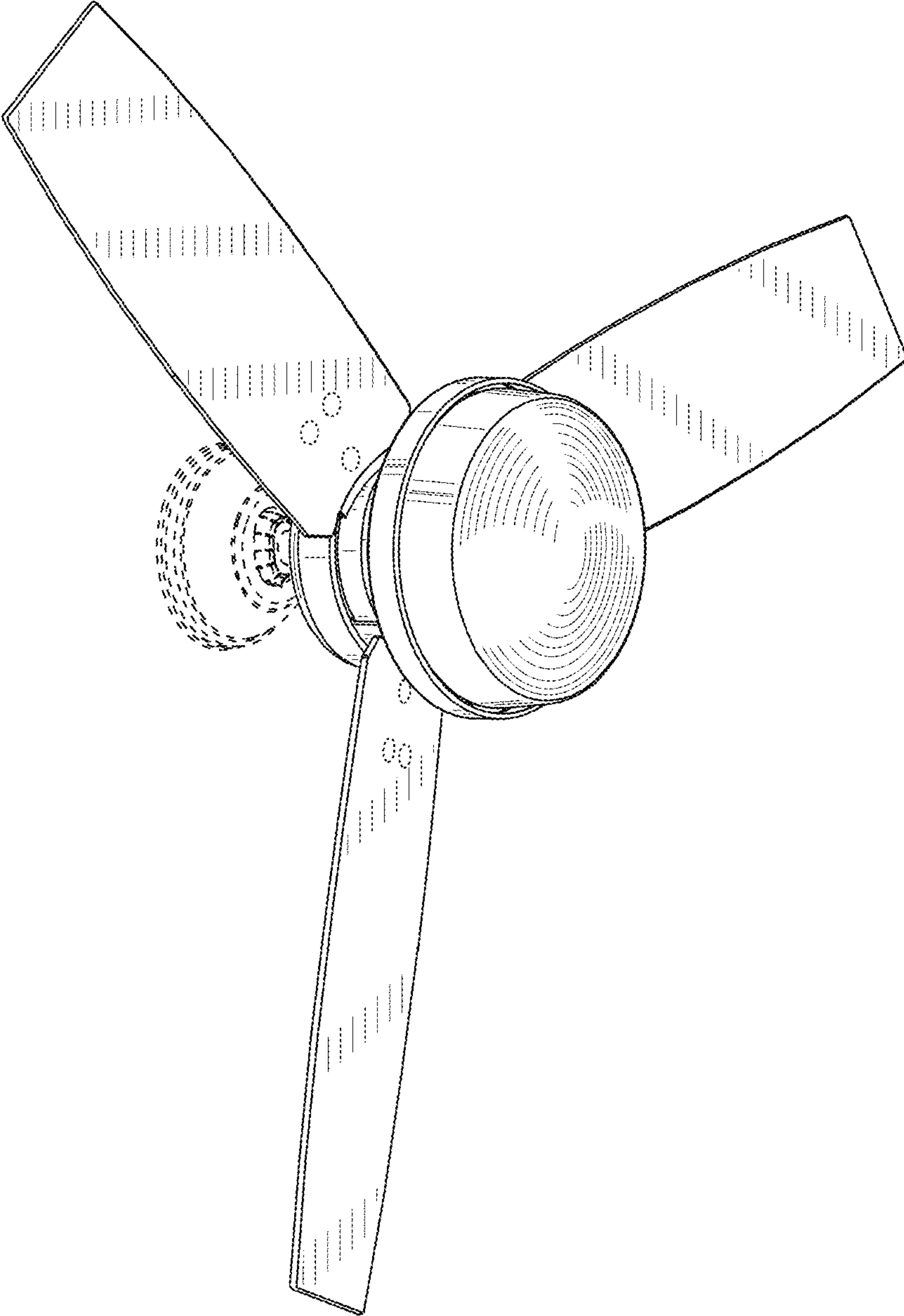


FIG. 2

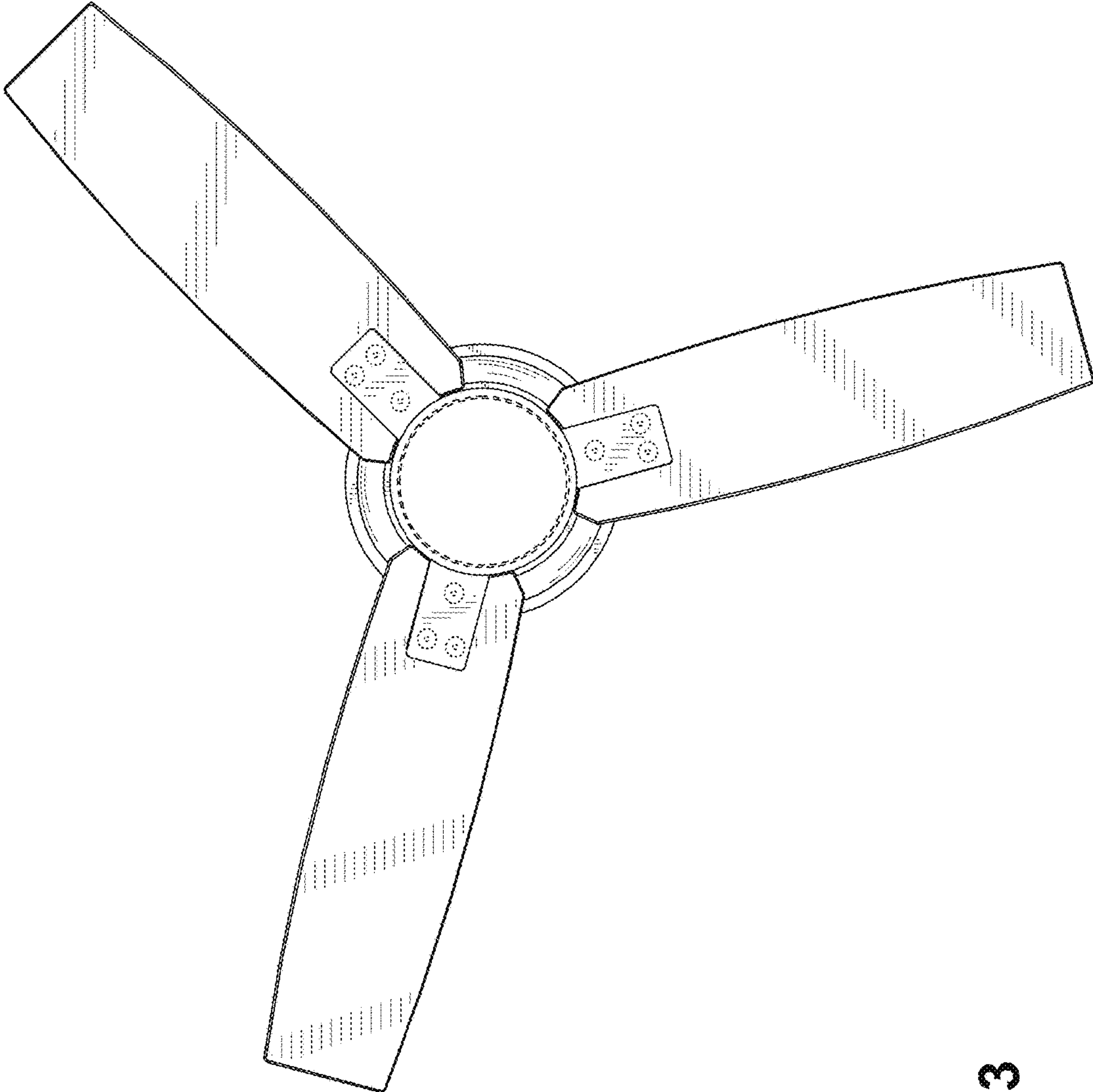


FIG. 3

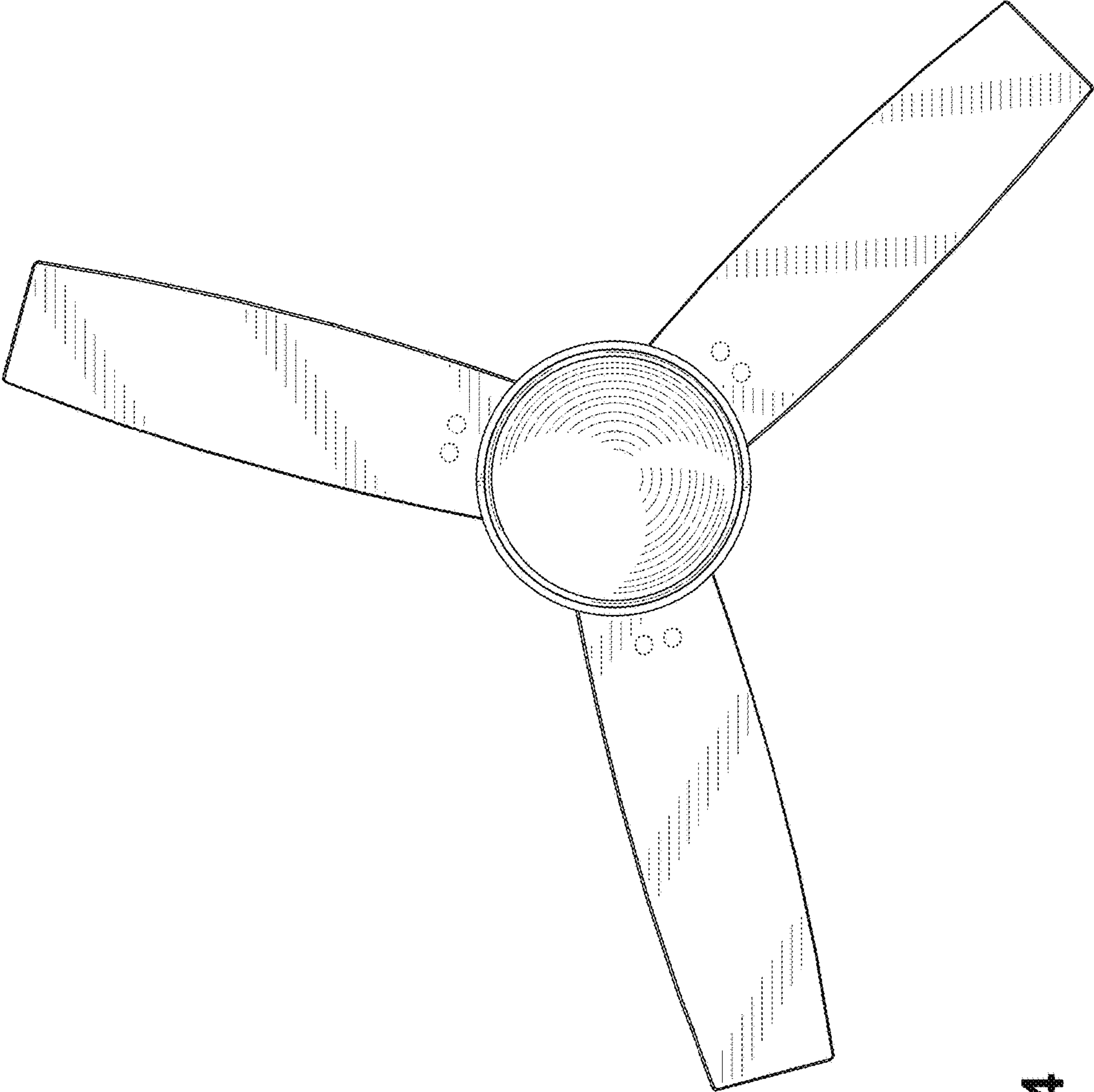


FIG. 4

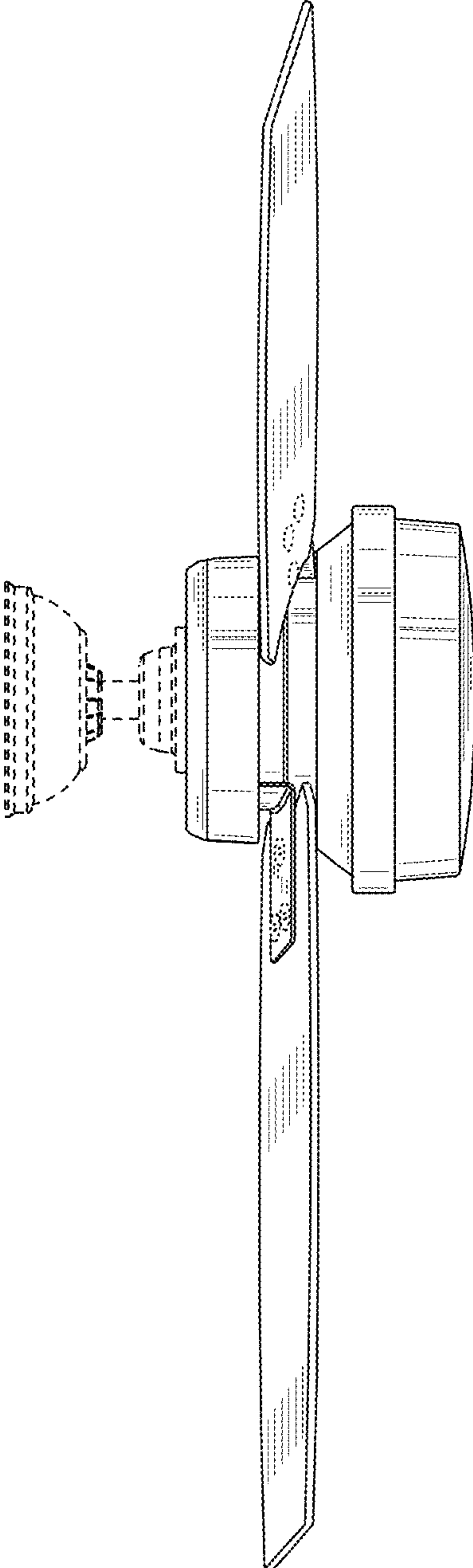


FIG. 5

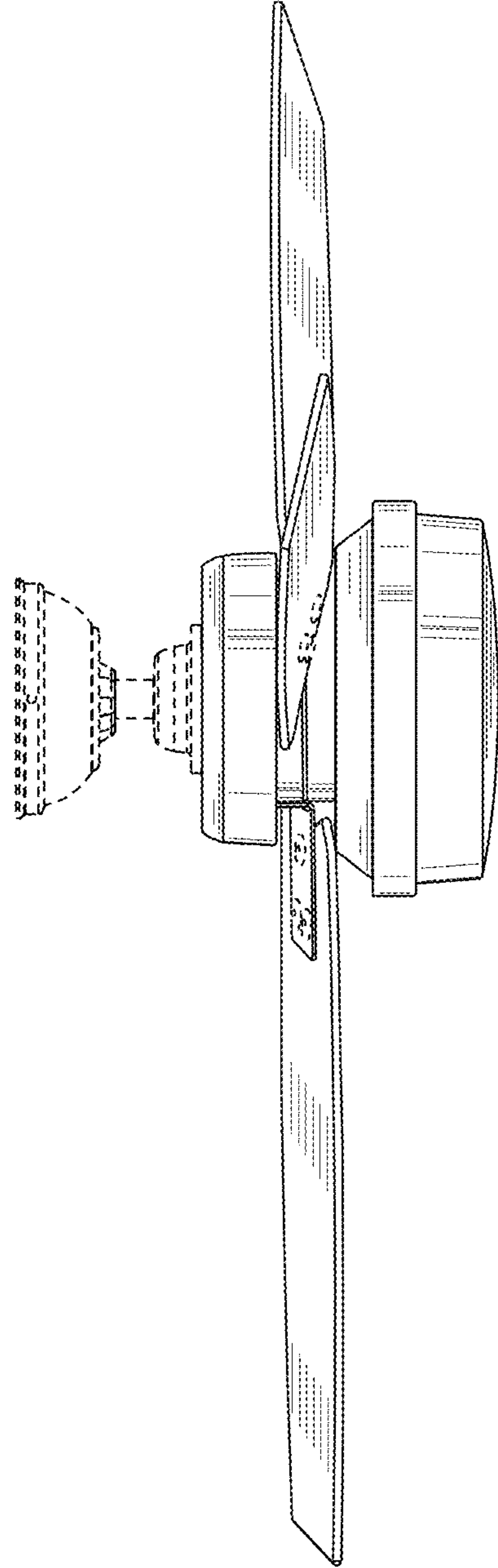


FIG. 6

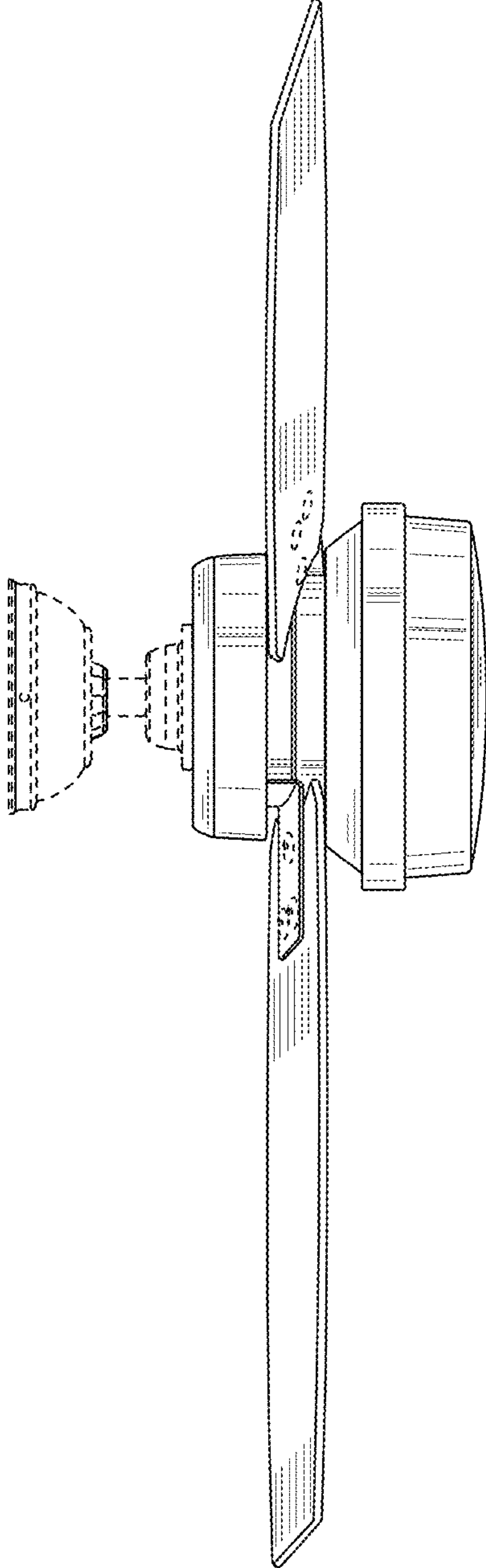


FIG. 7

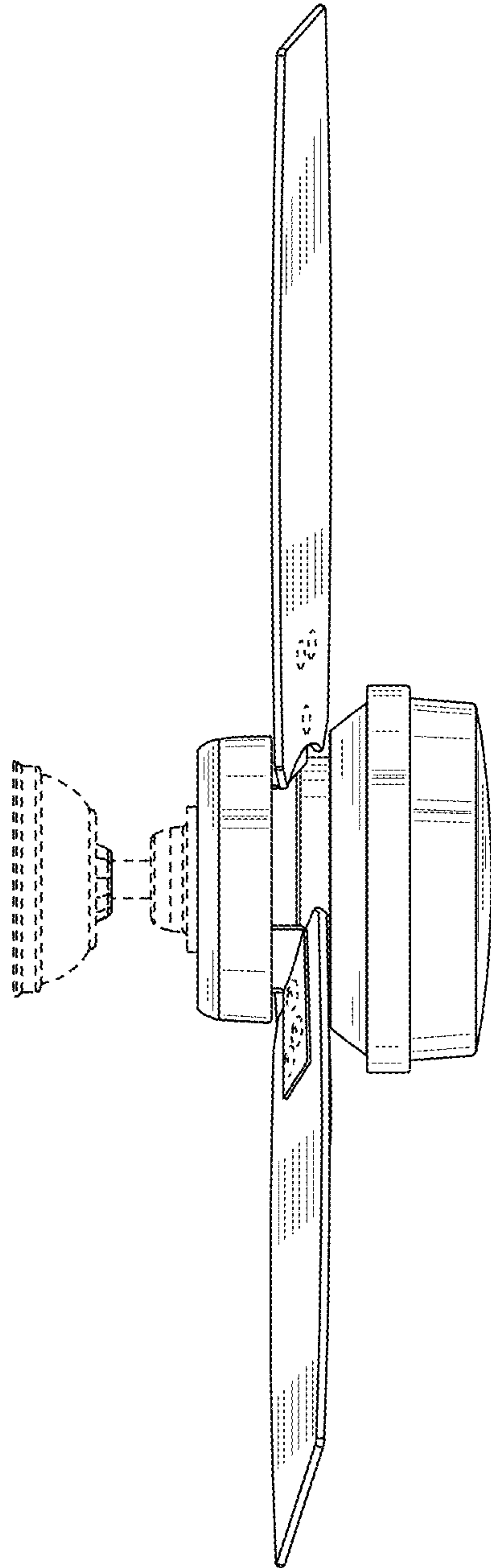


FIG. 8