



US00D804009S

(12) **United States Design Patent** (10) **Patent No.:** **US D804,009 S**
Mok (45) **Date of Patent:** **** Nov. 28, 2017**

(54) **RETRACTABLE DOWNDRAFT**

(71) Applicants: **BSH Home Appliances Corporation**,
Irvine, CA (US); **BSH Hausgeräte GmbH**, Munich (DE)

(72) Inventor: **Andy Mok**, Stanton, CA (US)

(73) Assignees: **BSH Home Appliances Corporation**,
Irvine, CA (US); **BSH Hausgeräte GmbH**, Munich (DE)

(**) Term: **15 Years**

(21) Appl. No.: **29/535,938**

(22) Filed: **Aug. 12, 2015**

(51) **LOC (10) Cl.** **23-04**

(52) **U.S. Cl.**
USPC **D23/372**

(58) **Field of Classification Search**
USPC D23/372, 371, 370, 355, 314
CPC B01D 2273/30; B01D 2265/026; F24F
2001/0096; F24F 2011/0093
See application file for complete search history.

(56) **References Cited**

U.S. PATENT DOCUMENTS

5,254,034 A * 10/1993 Roth F24F 13/08
454/277
6,814,660 B1 * 11/2004 Cavett B01D 46/0005
454/284

D593,193 S * 5/2009 Jackson D23/371
D683,009 S * 5/2013 Gartner D23/370
D761,411 S * 7/2016 Schanzenbach D23/371
D780,901 S * 3/2017 Huang D23/370
2003/0114101 A1 * 6/2003 Paz E06B 5/02
454/224

* cited by examiner

Primary Examiner — Cynthia Underwood

(74) *Attorney, Agent, or Firm* — Michael E. Tschupp;
Andre Pallapies; Brandon G. Braun

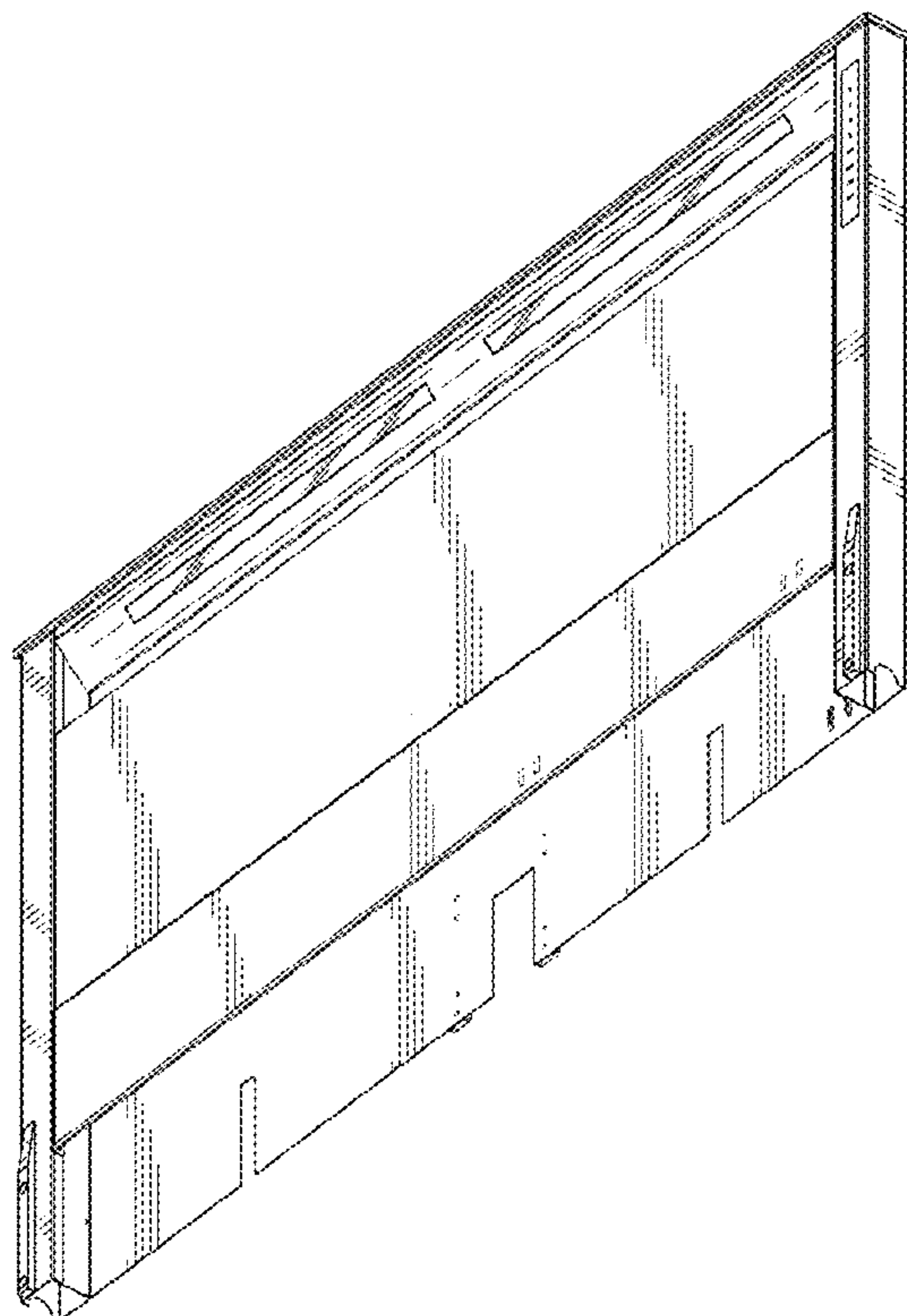
(57) **CLAIM**

The ornamental design for a retractable downdraft, as shown and described.

DESCRIPTION

FIG. 1 is a perspective view of a retractable downdraft showing my new ornamental design;
FIG. 2 is a front view thereof;
FIG. 3 is a rear view thereof;
FIG. 4 is a top view thereof;
FIG. 5 is an enlarged version of the control panel shown in FIG. 1;
FIG. 6 is a left side view thereof;
FIG. 7 is a right side view thereof;
FIG. 8 is another perspective view; and,
FIG. 9 is yet another perspective view.
The broken lines represent environment and form no part of the claim.

1 Claim, 7 Drawing Sheets



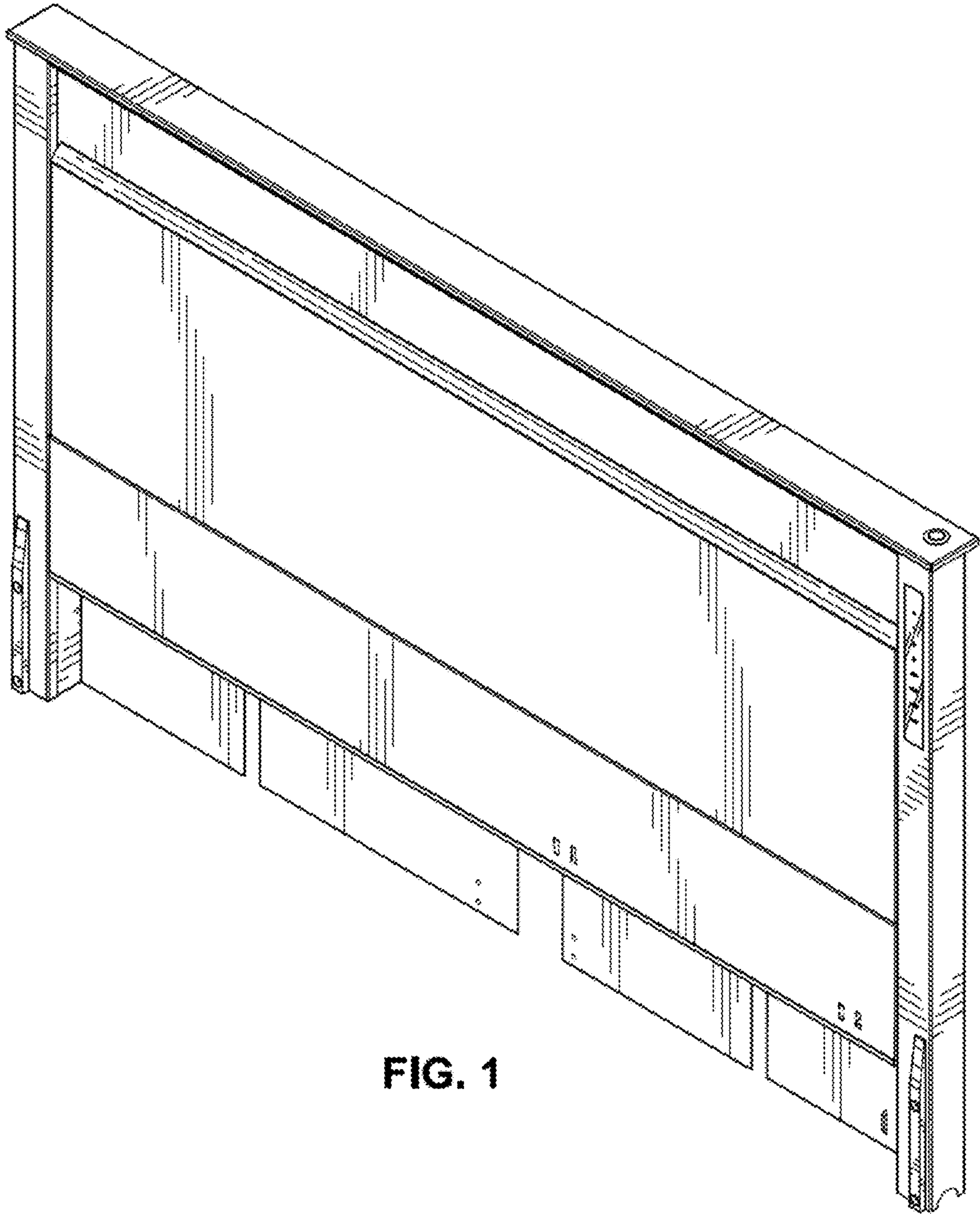


FIG. 1

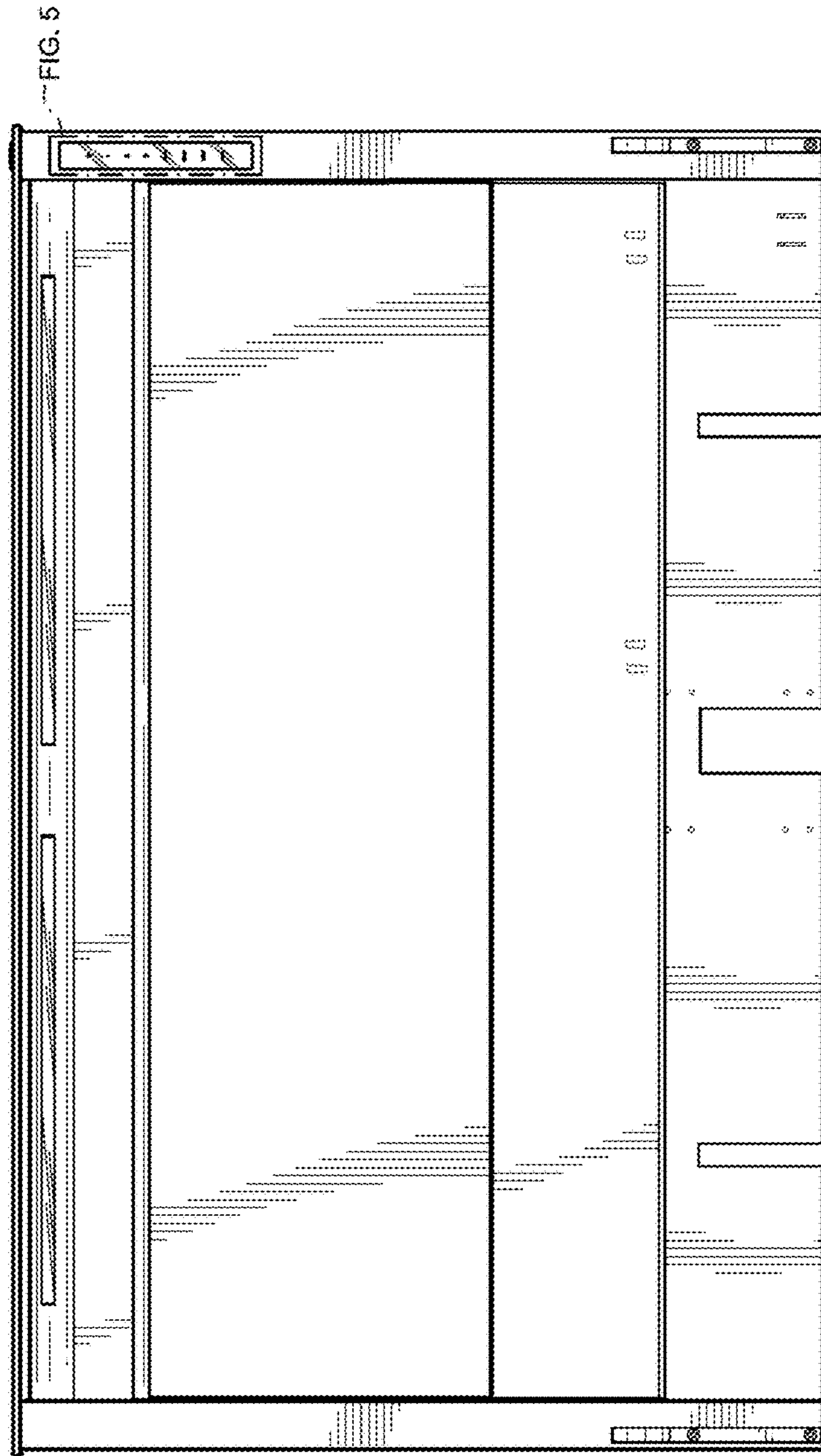


FIG. 2

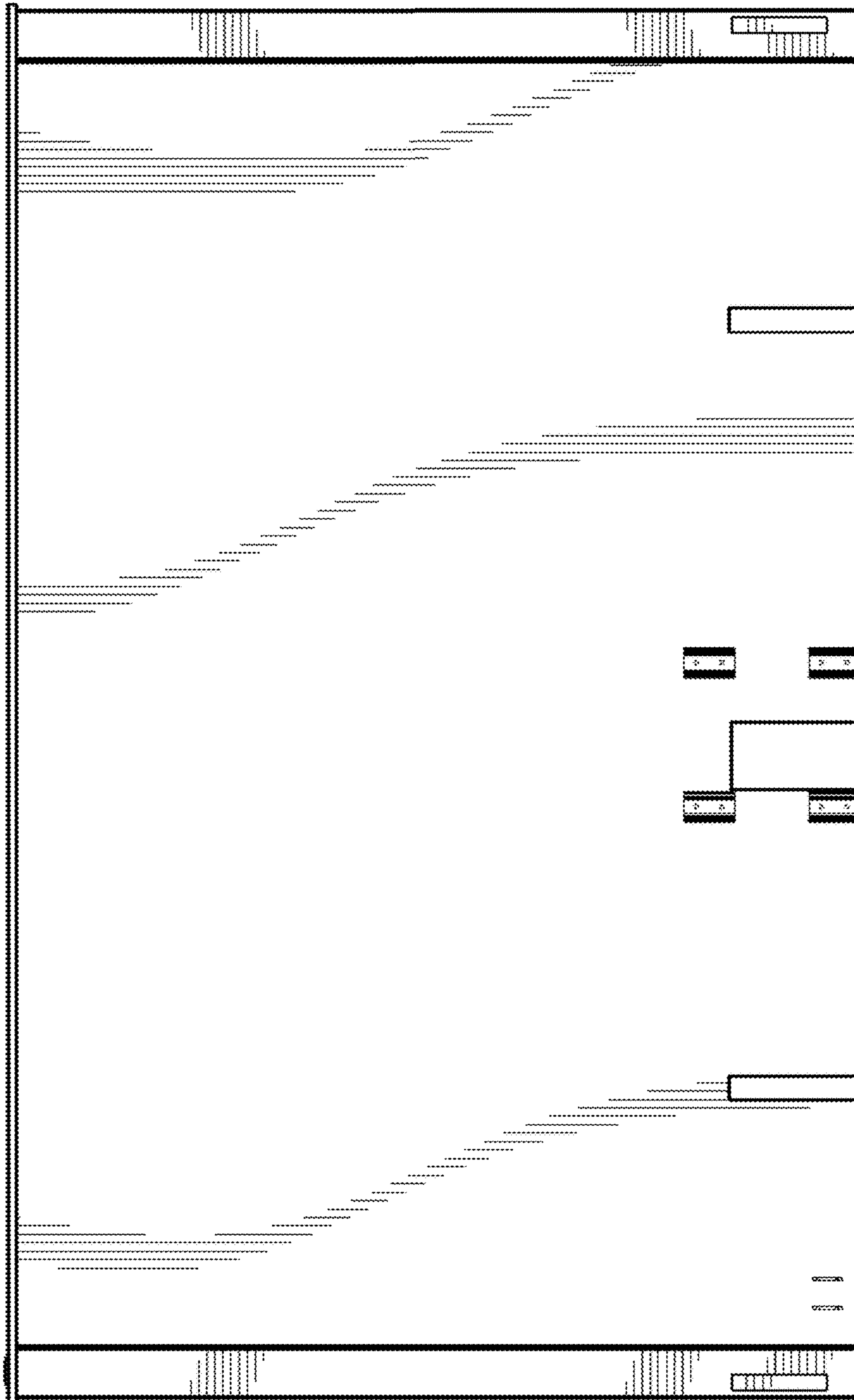


FIG. 3

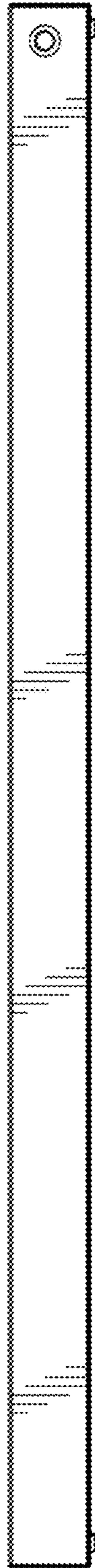


FIG. 4

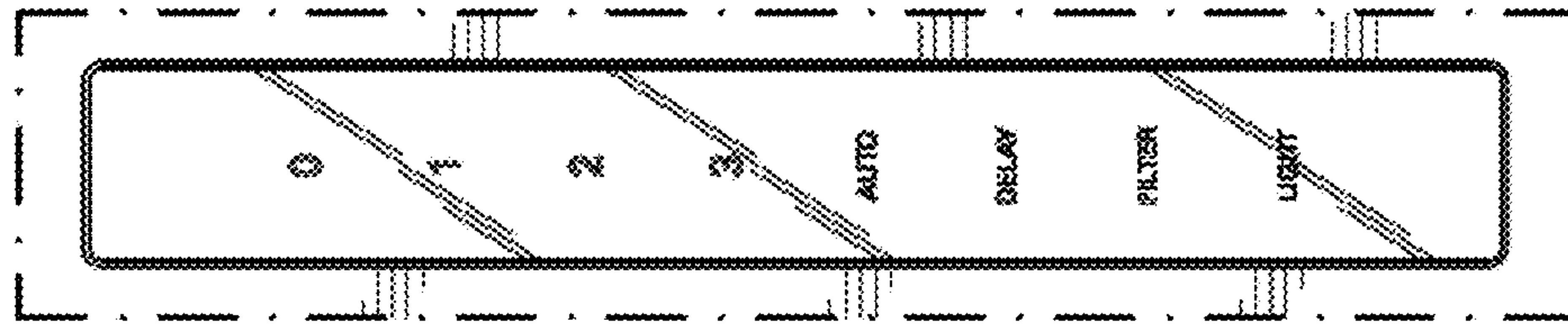


FIG. 5



FIG. 7

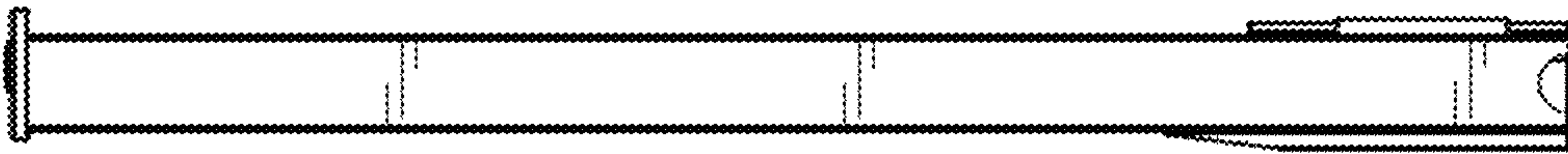


FIG. 6

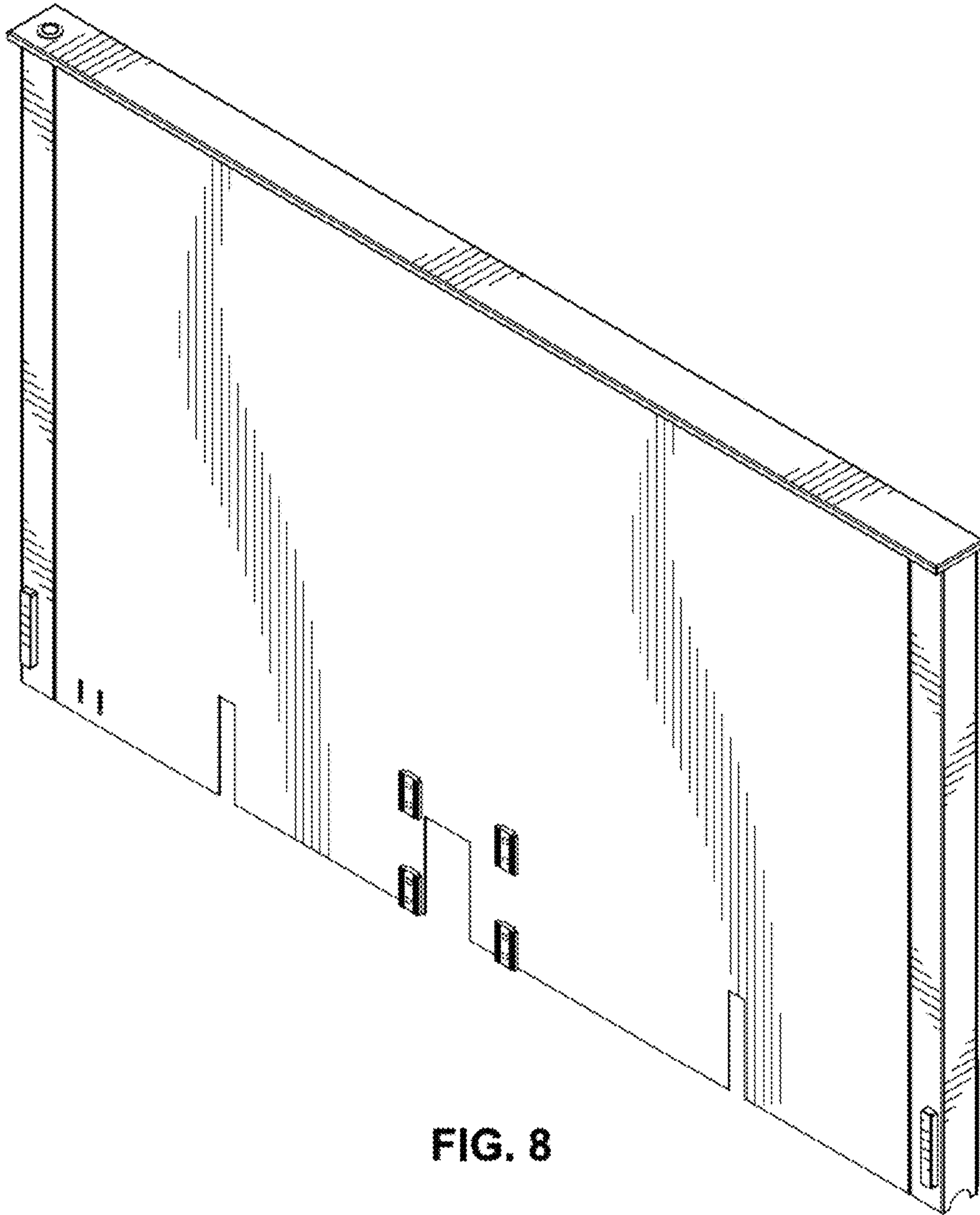


FIG. 8

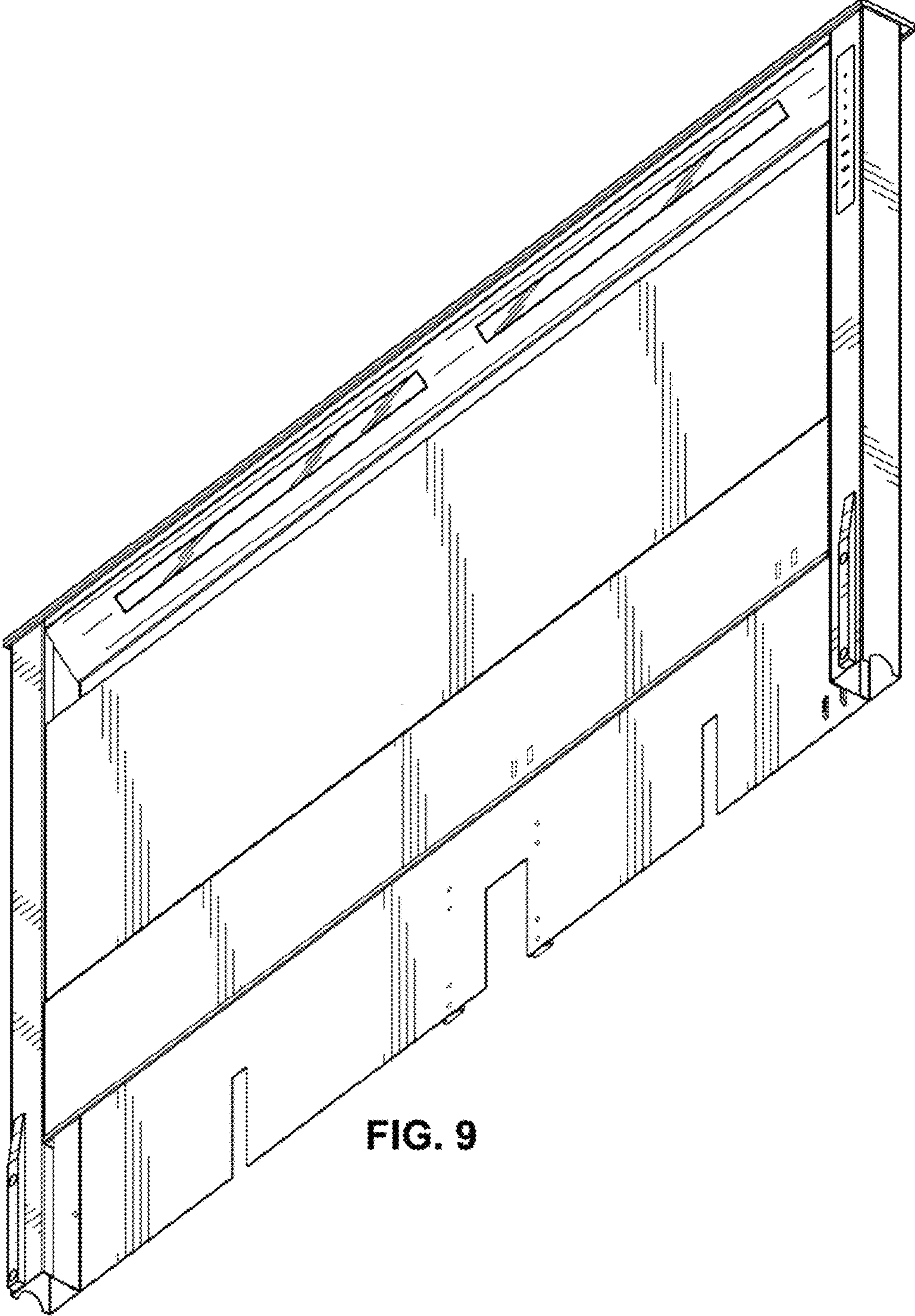


FIG. 9