



US00D804006S

(12) **United States Design Patent**  
**Gobber et al.**

(10) **Patent No.:** **US D804,006 S**

(45) **Date of Patent:** **\*\* Nov. 28, 2017**

(54) **AIR FRESHENER**

(71) Applicant: **ZOBELE HOLDING SPA**, Trento (IT)

(72) Inventors: **Cedric Gobber**, Barcelona (ES);  
**Joaquim Llorente Alonso**, Barcelona (ES)

(73) Assignee: **ZOBELE HOLDING SPA**, Trento (IT)

(\*\*) Term: **15 Years**

(21) Appl. No.: **35/500,964**

(22) Filed: **Nov. 18, 2015**

(80) **Hague Agreement Data**

Int. Filing Date: **Nov. 18, 2015**

Int. Reg. No.: **DM/089561**

Int. Reg. Date: **Nov. 18, 2015**

Int. Reg. Pub. Date: **May 20, 2016**

(51) **LOC (10) Cl.** ..... **28-99**

(52) **U.S. Cl.**  
USPC ..... **D23/366**

(58) **Field of Classification Search**

USPC ..... D23/355-369; D28/5, 6; 261/DIG. 17,  
261/DIG. 42, DIG. 47, DIG. 55, DIG. 65,  
261/DIG. 70, DIG. 88, DIG. 89; 392/386,  
392/389, 394, 395, 403; 239/34, 44, 45,  
239/53, 56

CPC ... A61L 9/02; A61L 9/03; A61L 9/034; A61L  
9/04; A61L 9/12; A61L 9/032; A61L  
9/122; A61L 9/127; A61L 9/22

See application file for complete search history.

(56) **References Cited**

U.S. PATENT DOCUMENTS

D544,594 S *	6/2007	Zobeles	.....	D23/366
D648,018 S *	11/2011	Sordo	.....	D23/366
D658,753 S *	5/2012	Zhang	.....	D23/366
D698,431 S *	1/2014	Garbusi	.....	D23/366
D698,912 S *	2/2014	Garbusi	.....	D23/366
D699,334 S *	2/2014	Alesi	.....	D23/366
D715,915 S *	10/2014	Schouten	.....	A61L 9/03 D23/368
D767,109 S *	9/2016	Gobber	.....	D23/368
2013/0266486 A1 *	10/2013	Wu	.....	A61L 9/12 422/123

\* cited by examiner

*Primary Examiner* — Keli L Hill

(74) *Attorney, Agent, or Firm* — Ostrolenk Faber LLP

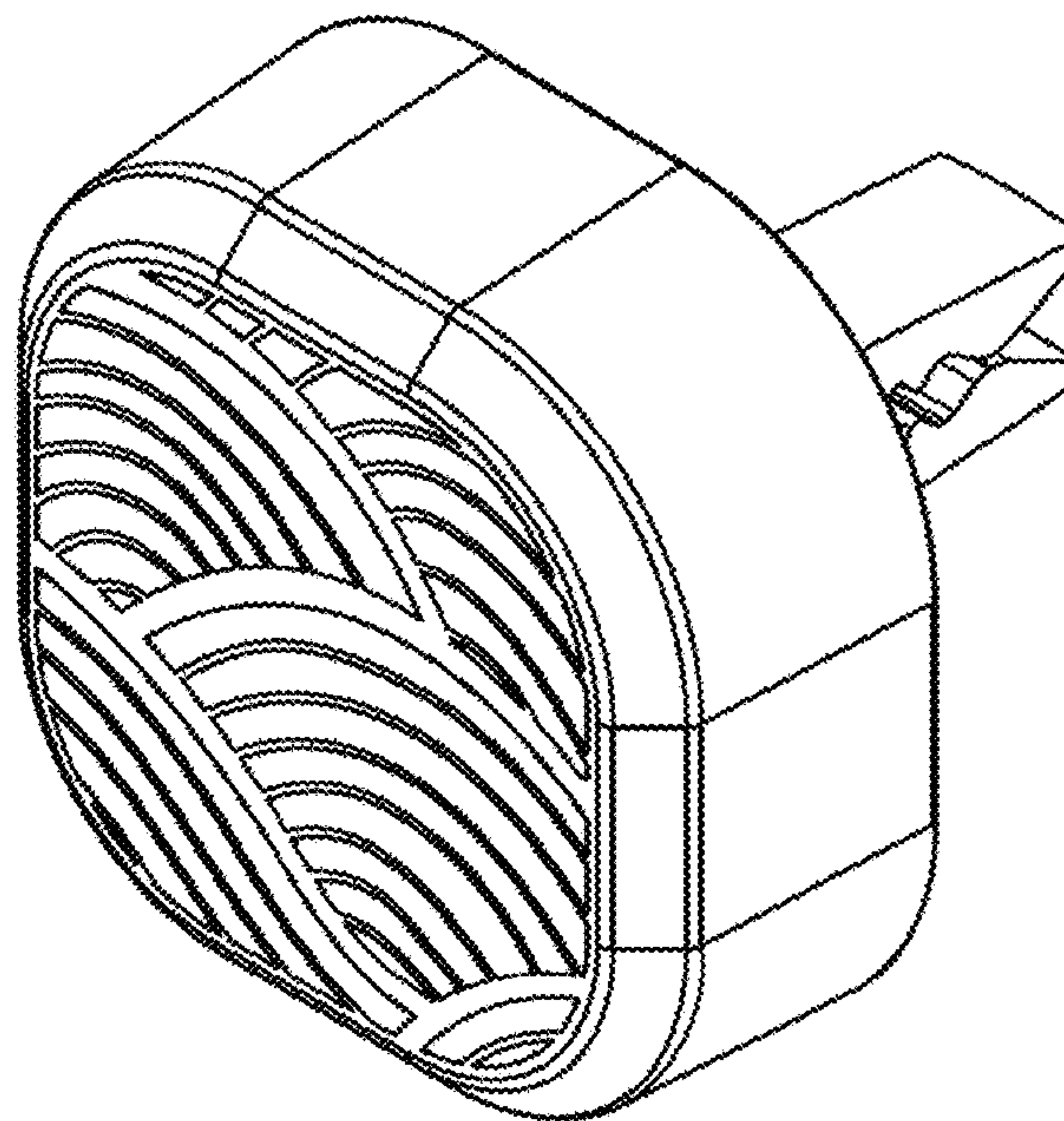
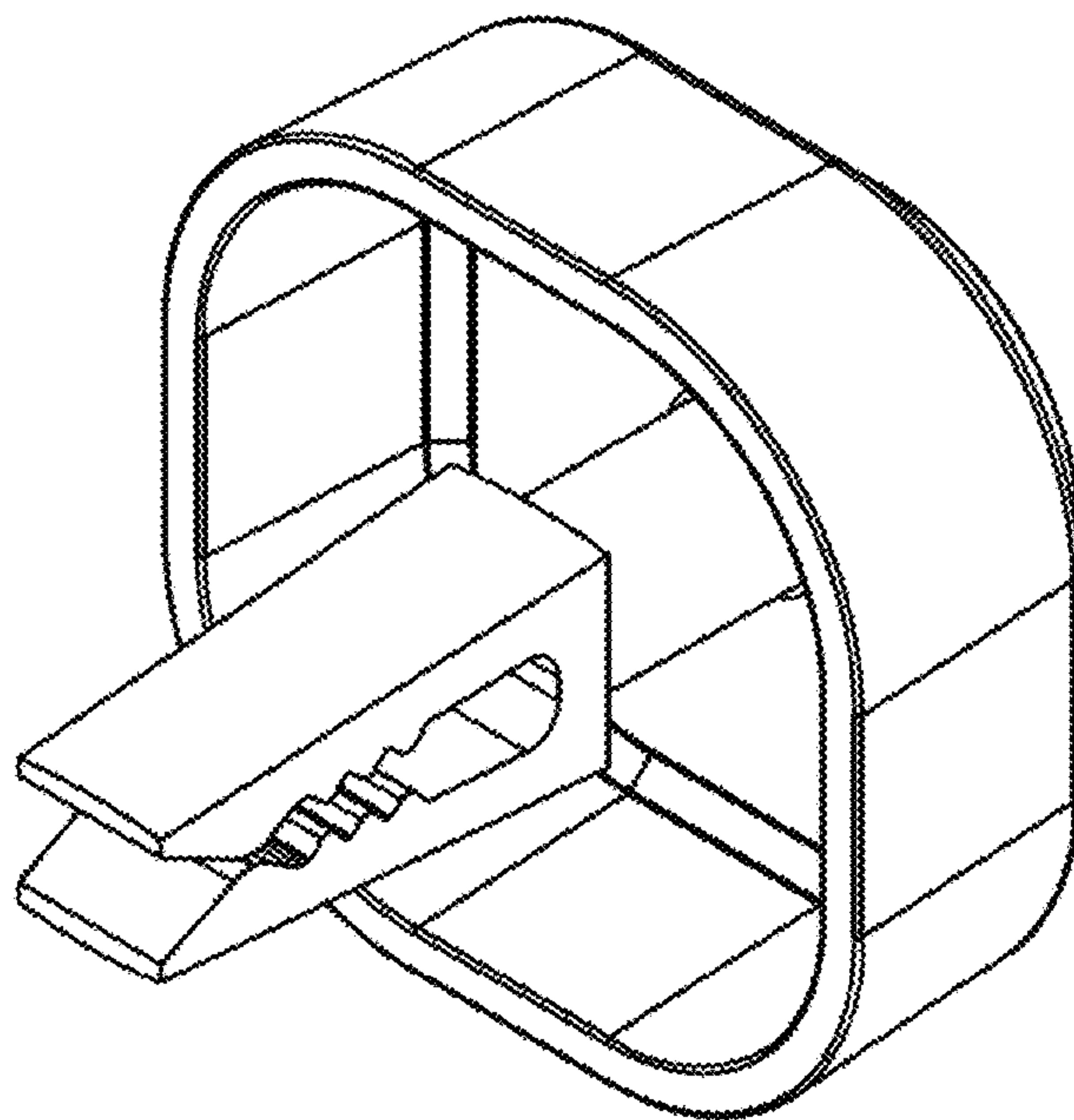
(57) **CLAIM**

The ornamental design for an air freshener, as shown and described.

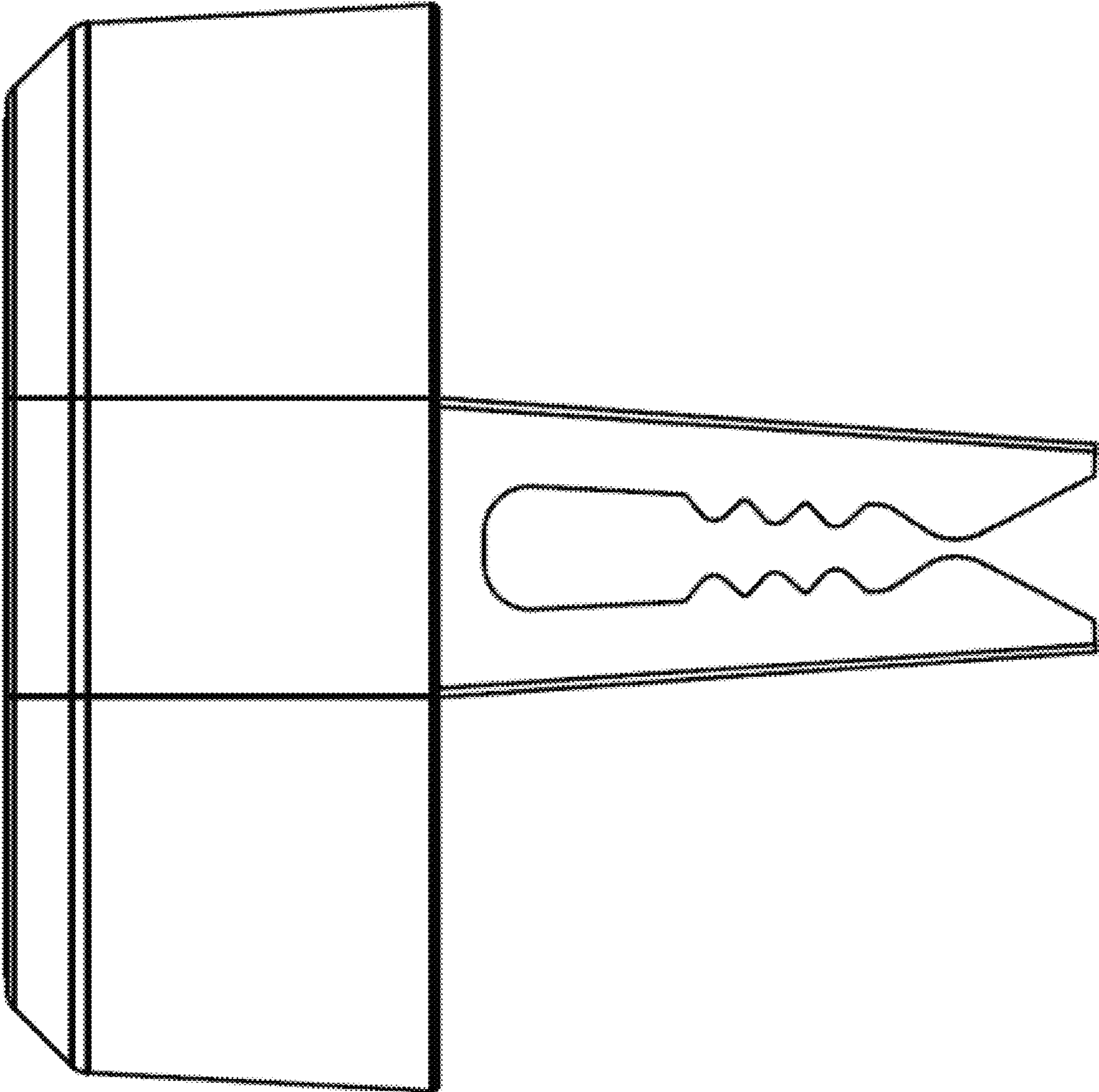
**DESCRIPTION**

**1.1** is a side elevation view of an air freshener showing my new design;  
**1.2** is a top, rear and opposite side perspective view thereof;  
**1.3** is a top, front and side perspective view thereof; and  
**1.4** is a front elevation view thereof.

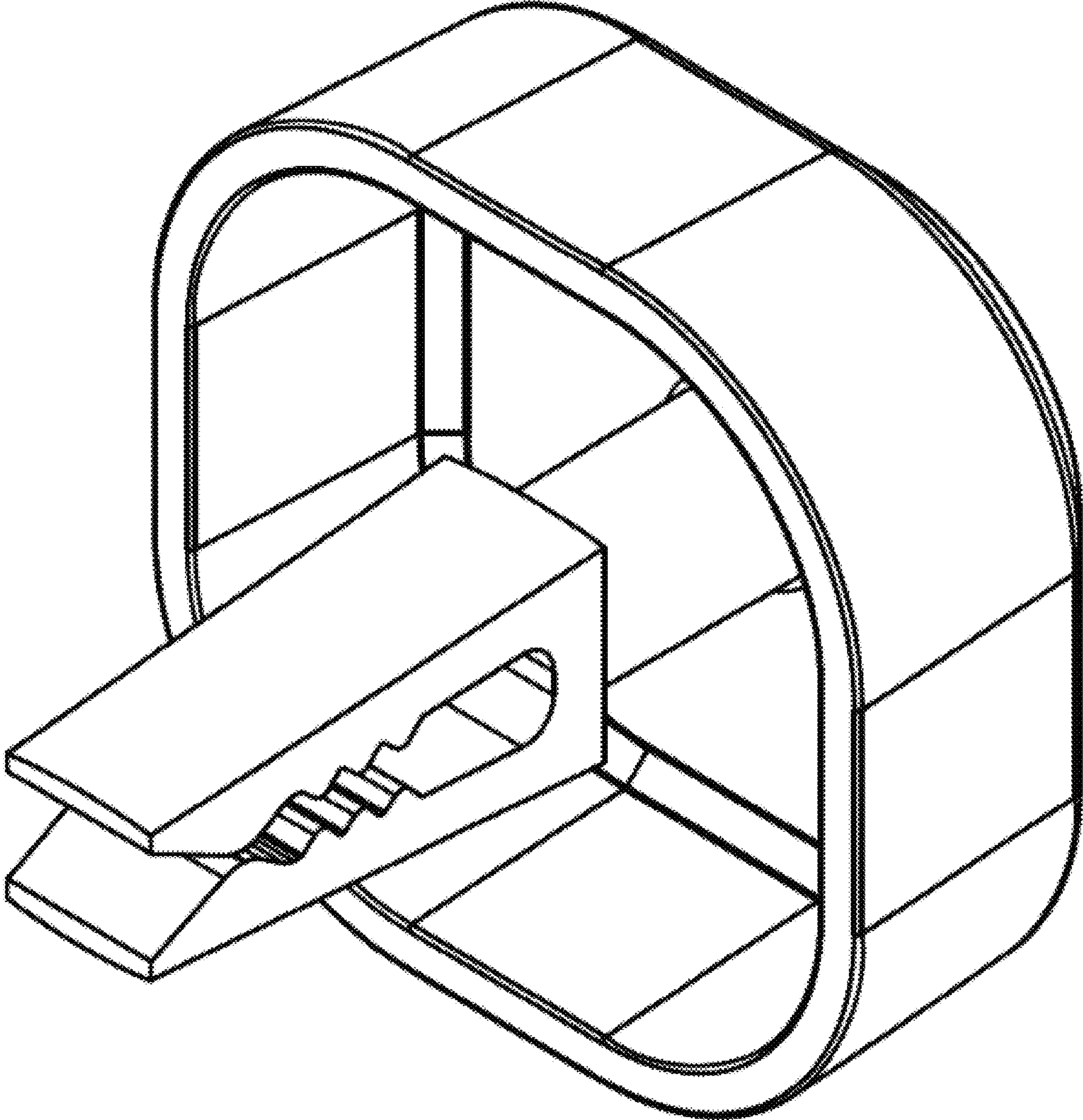
**1 Claim, 4 Drawing Sheets**



**1.1**

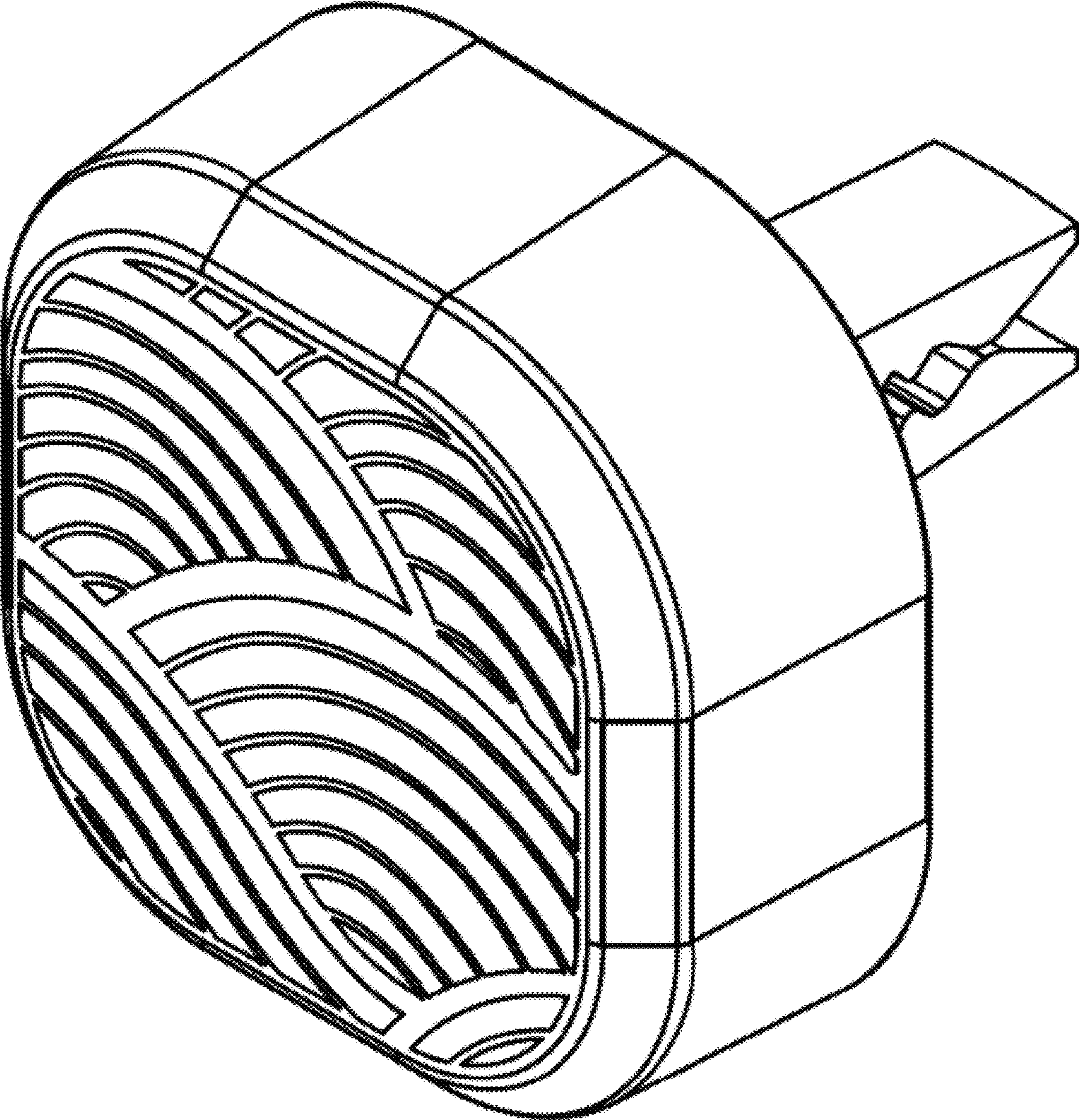


1.2





**1.3**





1.4

