



US00D804005S

(12) **United States Design Patent**  
**Spear**

(10) **Patent No.:** **US D804,005 S**

(45) **Date of Patent:** **\*\* Nov. 28, 2017**

(54) **POWERED AIR PURIFYING RESPIRATOR  
FILTER WITH DIAMOND PATTERN**

(71) Applicant: **LINCOLN GLOBAL, INC.**, City of  
Industry, CA (US)

(72) Inventor: **Theresa Spear**, Highland Heights, OH  
(US)

(73) Assignee: **LINCOLN GLOBAL, INC.**, City of  
Industry, CA (US)

(\*\*) Term: **15 Years**

(21) Appl. No.: **29/542,943**

(22) Filed: **Oct. 19, 2015**

(51) **LOC (10) Cl.** ..... **23-04**

(52) **U.S. Cl.**

USPC ..... **D23/365**

(58) **Field of Classification Search**

USPC ..... D23/355-365, 386-388, 314, 325,  
D23/333-336; 55/478, 482, 483, 490,  
55/497, 498, 520, 521, 529

CPC .... B01D 46/00; B01D 46/0004; B01D 27/04;  
B01D 27/06; B01D 39/00

See application file for complete search history.

(56) **References Cited**

**U.S. PATENT DOCUMENTS**

D449,878 S *	10/2001	Bjersten	.....	D23/365
D451,602 S *	12/2001	Juhlin	.....	D24/162
D461,896 S *	8/2002	Worthington	.....	D24/162
D523,110 S *	6/2006	Anderson	.....	D23/209
D548,826 S *	8/2007	Katta	.....	D23/364
D568,014 S *	4/2008	Fester	.....	D32/31
D673,257 S *	12/2012	Landaverde, Jr.	.....	D24/106

8,491,690 B2 \* 7/2013 Crabtree ..... B01D 46/10  
156/293

8,834,611 B1 \* 9/2014 Dimicelli ..... B01D 46/002  
55/483

D762,832 S \* 8/2016 Gale ..... D23/365

D775,344 S \* 12/2016 Wu ..... D24/162

D787,656 S \* 5/2017 Yoo ..... D23/351

2002/0078953 A1 \* 6/2002 Fecteau ..... A62B 18/084  
128/202.27

2004/0055604 A1 \* 3/2004 Viner ..... A62B 23/02  
128/206.16

\* cited by examiner

*Primary Examiner* — Sandra Snapp

(74) *Attorney, Agent, or Firm* — Perkins Coie LLP

(57) **CLAIM**

The ornamental design for a powered air purifying respirator filter with diamond pattern, as shown and described.

**DESCRIPTION**

FIG. 1 is perspective view of a design for a powered air purifying respirator filter with diamond pattern.

FIG. 2 is a top view of a design for the powered air purifying respirator filter with diamond pattern.

FIG. 3 is a front view of a design for the powered air purifying respirator filter with diamond pattern.

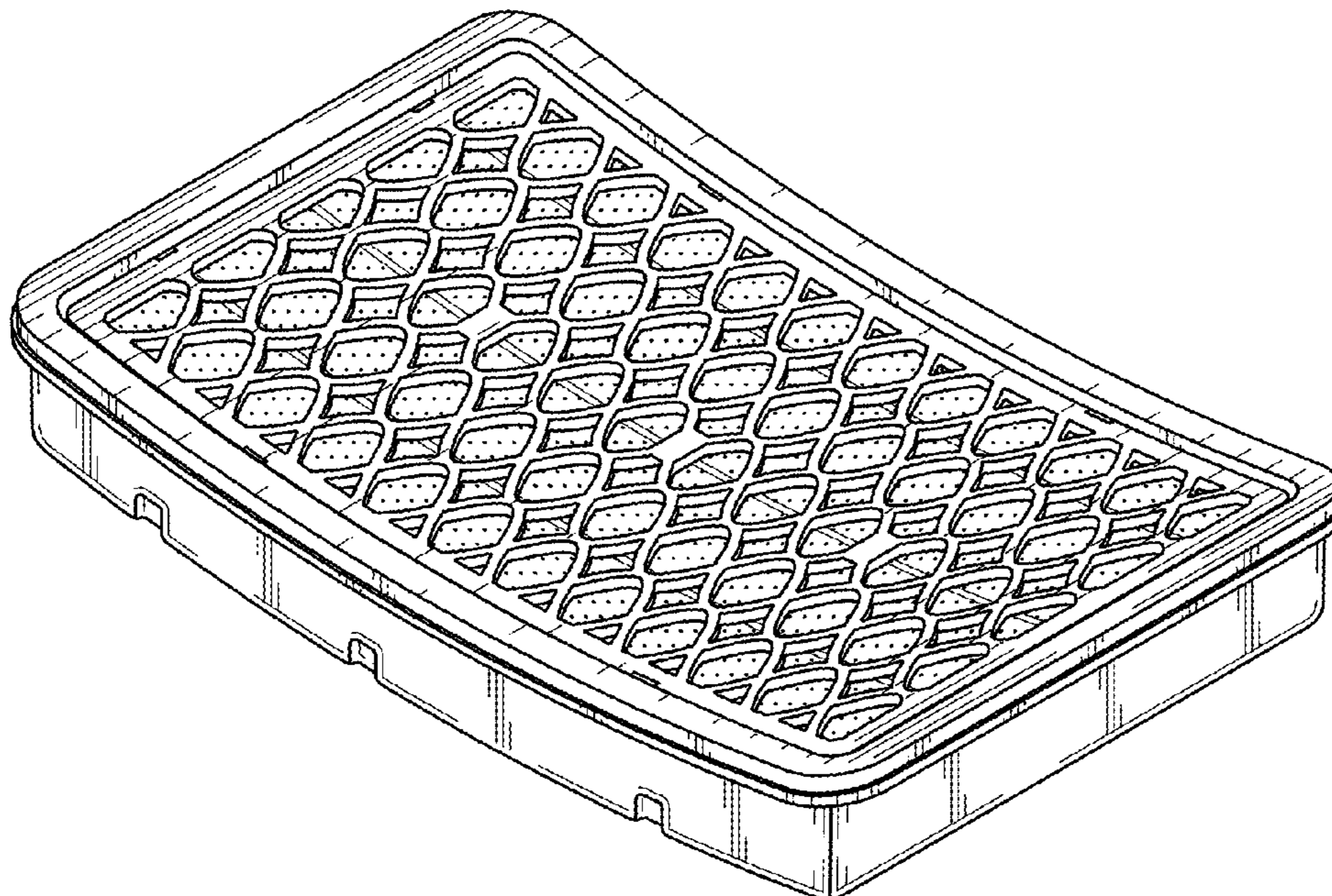
FIG. 4 is a back view of a design for the powered air purifying respirator filter with diamond pattern.

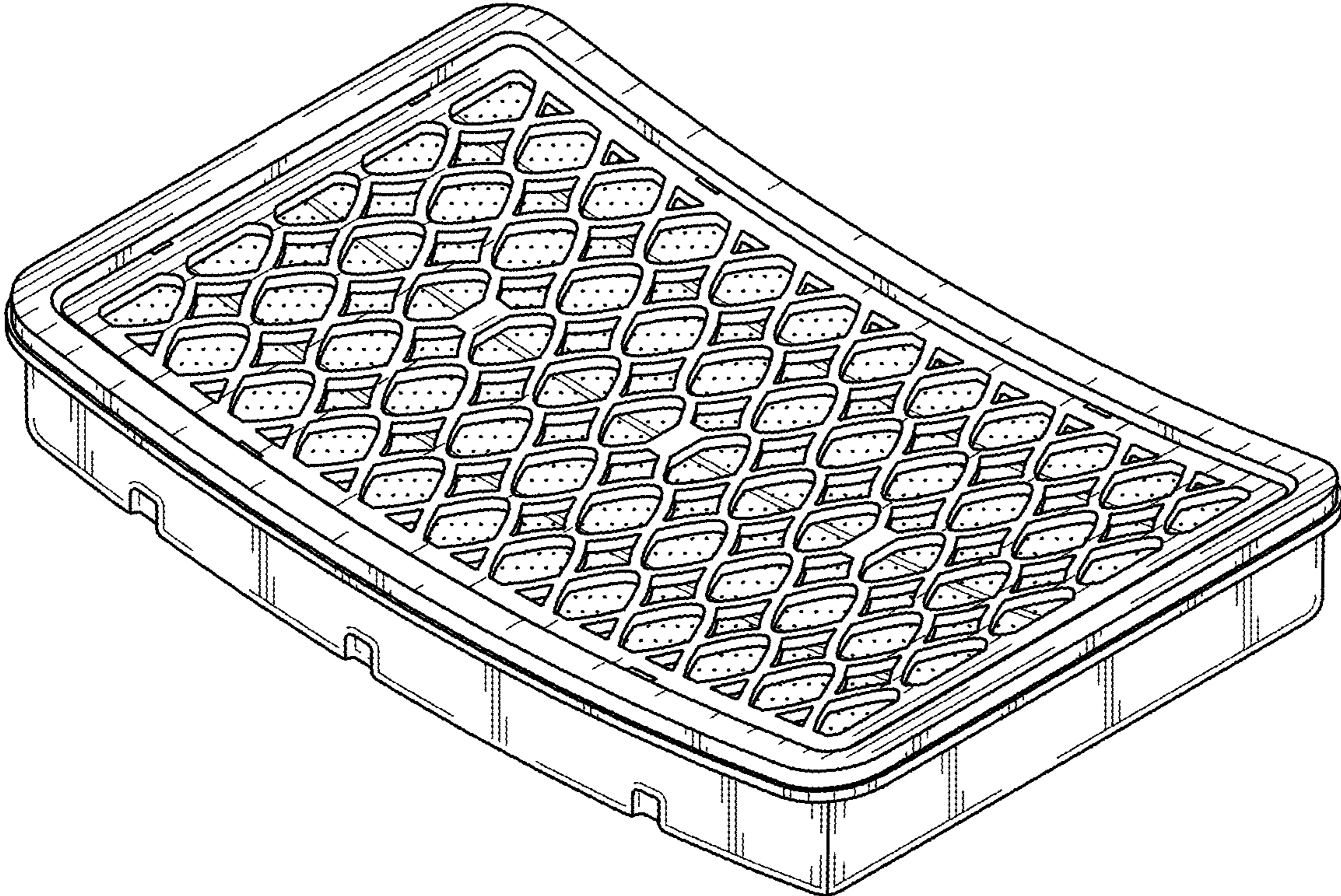
FIG. 5 is a bottom view of a design for the powered air purifying respirator filter with diamond pattern.

FIG. 6 is a side view of a design for the powered air purifying respirator filter with diamond pattern; and,

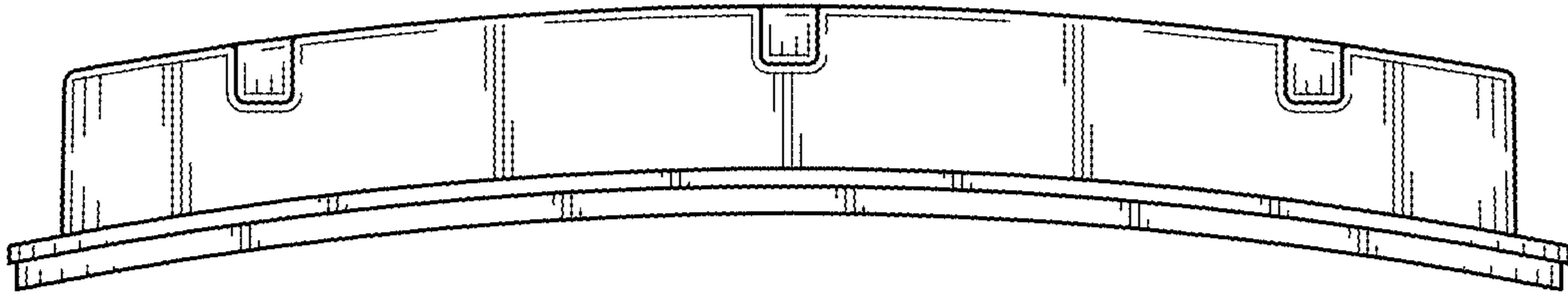
FIG. 7 is another side view of a design for the powered air purifying respirator filter with diamond pattern.

**1 Claim, 4 Drawing Sheets**

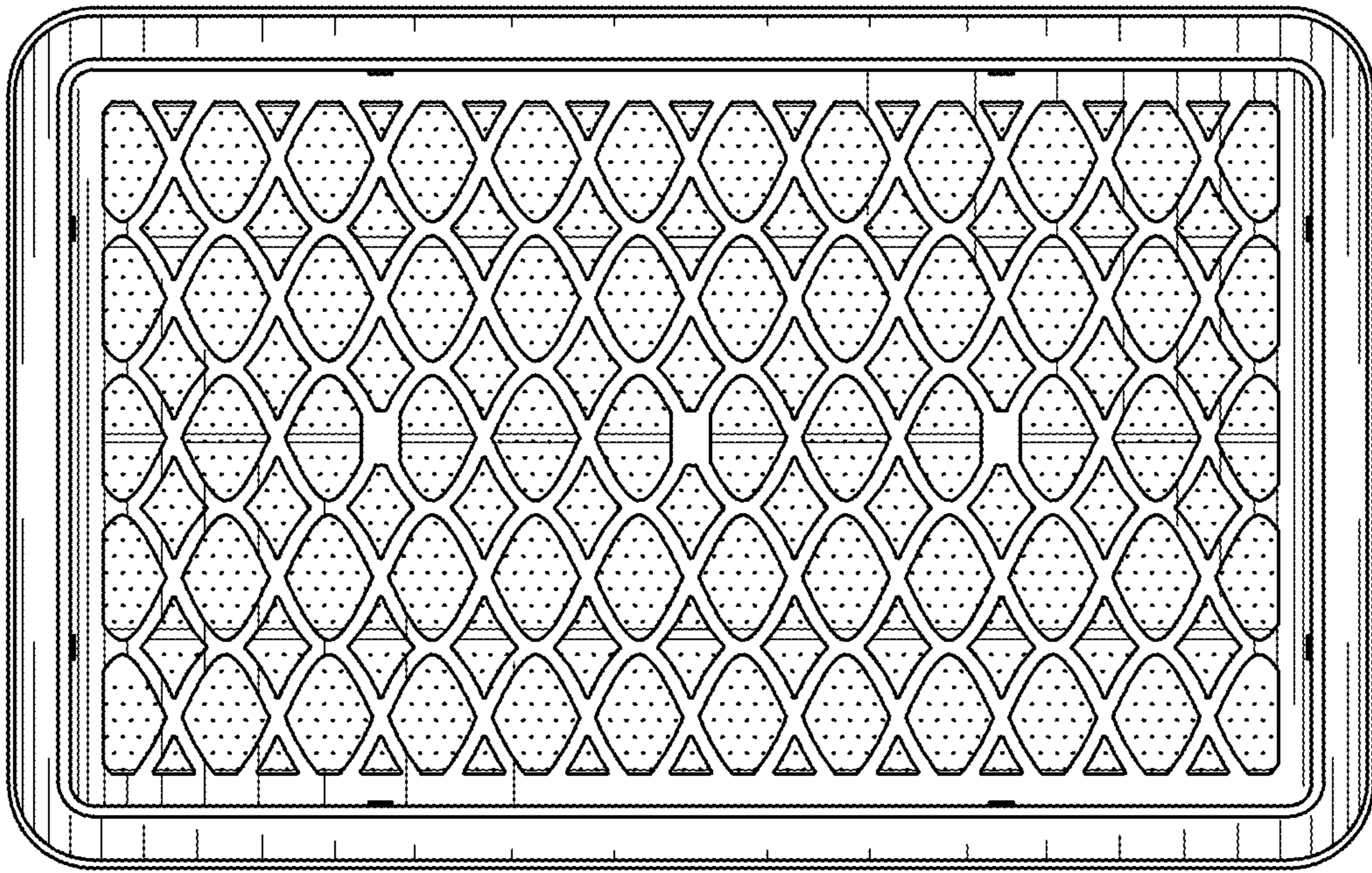




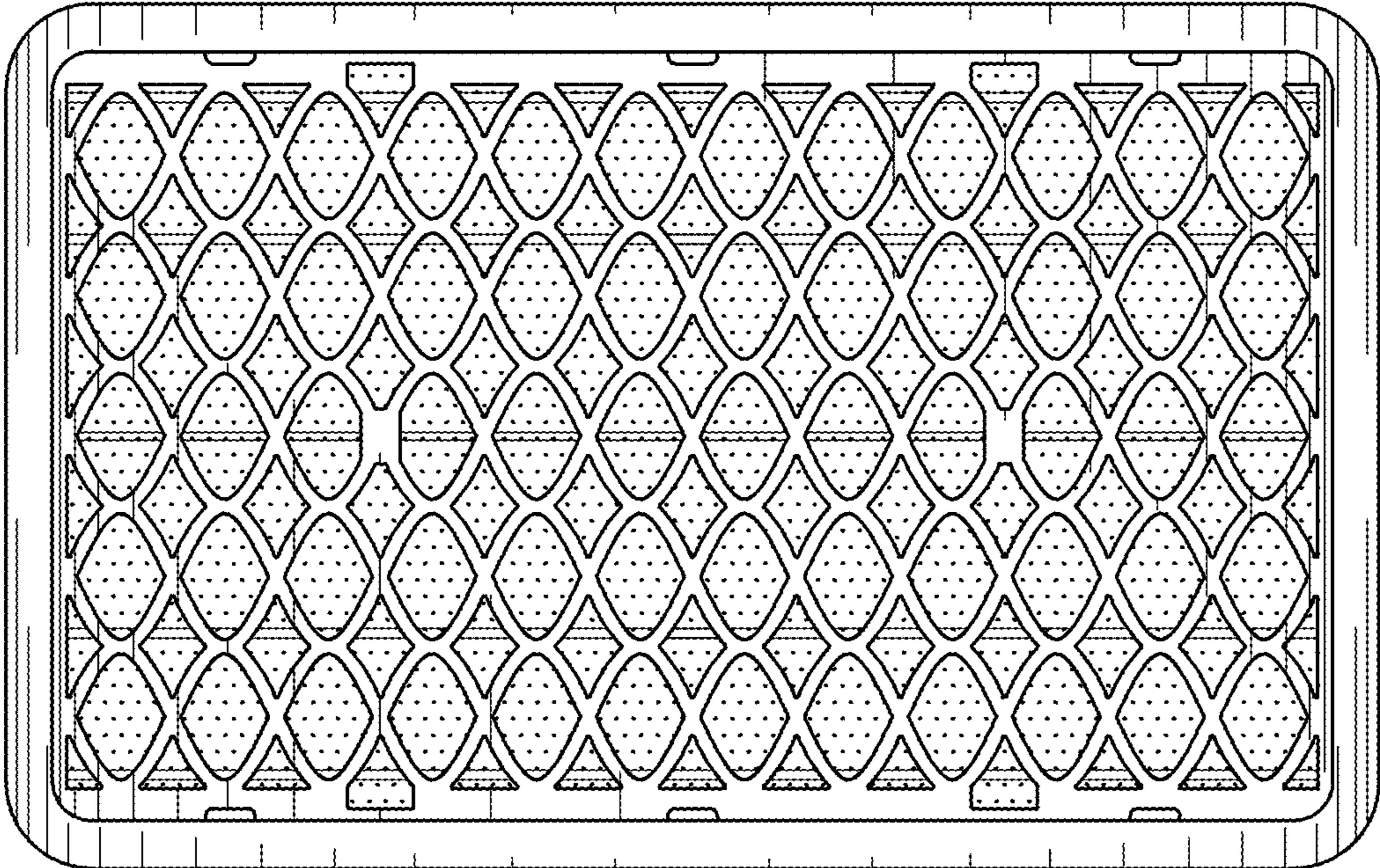
**FIG. 1**



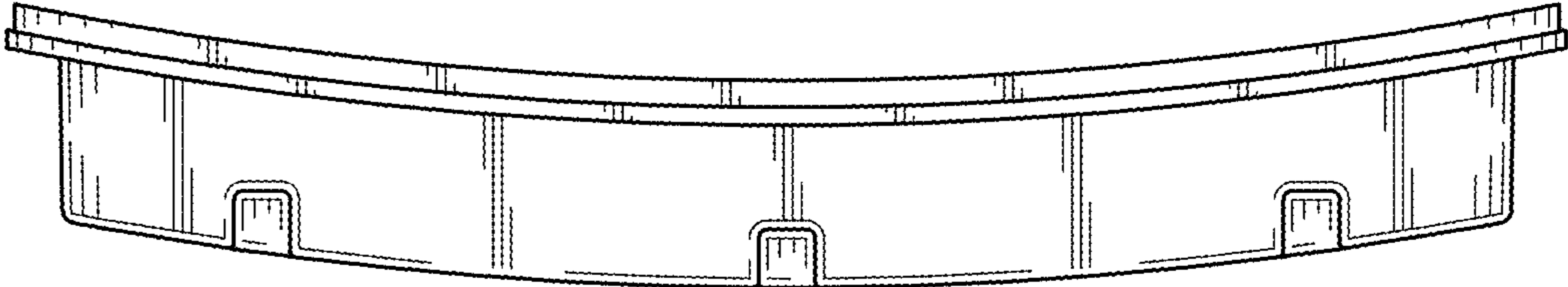
**FIG. 2**



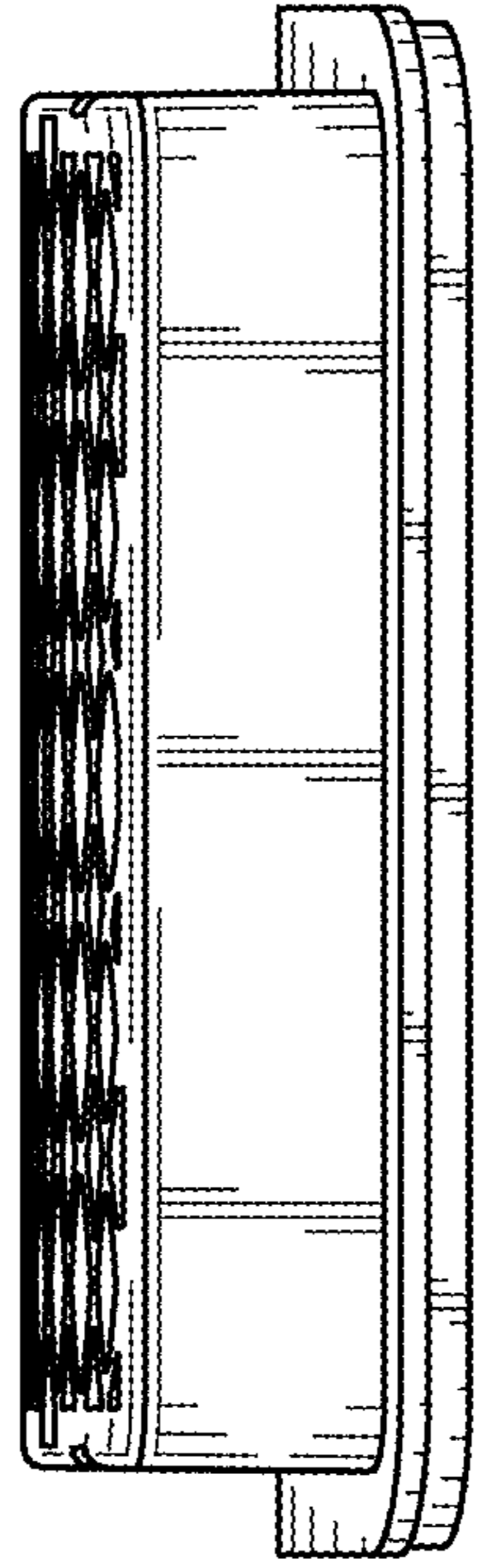
**FIG. 3**



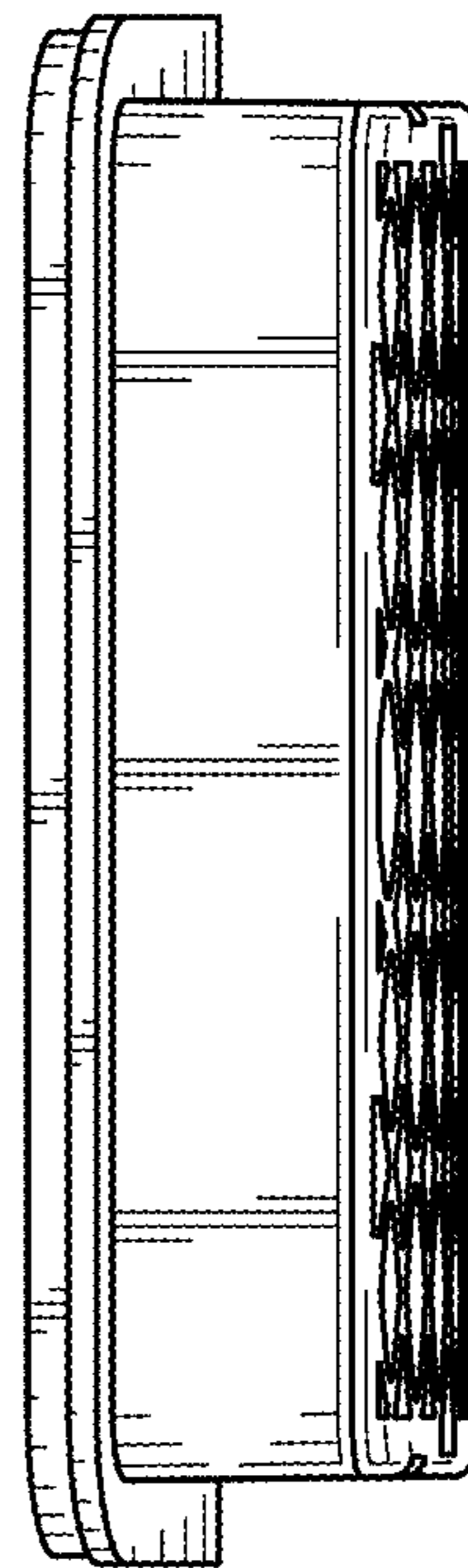
**FIG. 4**



**FIG. 5**



**FIG. 6**



**FIG. 7**