



US00D804001S

(12) **United States Design Patent** (10) **Patent No.:** **US D804,001 S**  
**Cartwright et al.** (45) **Date of Patent:** **\*\* Nov. 28, 2017**

(54) **HEATER**

(71) Applicant: **VORNADO AIR LLC**, Andover, KS (US)

(72) Inventors: **Brian M. Cartwright**, Wichita, KS (US); **Glen W. Ediger**, North Newton, KS (US); **Gary P. Israel**, Andover, KS (US); **Gregory Pease**, Andover, KS (US)

(73) Assignee: **Vornado Air LLC**, Andover, KS (US)

(\*\*) Term: **15 Years**

(21) Appl. No.: **29/548,007**

(22) Filed: **Dec. 9, 2015**

(51) **LOC (10) Cl.** ..... **23-04**

(52) **U.S. Cl.**  
USPC ..... **D23/355**

(58) **Field of Classification Search**  
USPC ..... D23/314, 317, 330, 332-333, 335-351, D23/354-356, 370, 376, 378, 381, 382, D23/386, 411, 412  
CPC ... F24H 3/00; F24H 3/02; F24H 3/002; F24H 3/0411; F24H 3/0417; F24H 3/08; F24H 3/081; F24H 3/10; F24H 3/102; F24H 7/00; F24H 7/002; F24H 7/0208; F24H 7/0216; F24H 9/02; F24D 13/00  
See application file for complete search history.

(56) **References Cited**

**U.S. PATENT DOCUMENTS**

D104,119 S \* 4/1937 Schwarz ..... D23/382  
D172,720 S \* 7/1954 Nordhold et al. .... D23/338  
D179,913 S \* 3/1957 McNair ..... D23/333  
3,077,531 A \* 2/1963 Wompey ..... F24H 3/0411  
392/355  
D248,043 S \* 5/1978 Schade ..... D23/335

D257,059 S \* 9/1980 Schade ..... D23/335  
D277,130 S \* 1/1985 Schade ..... D23/335  
D282,101 S \* 1/1986 Yuen ..... D23/328  
D291,350 S \* 8/1987 Sherman ..... D23/335  
4,737,616 A \* 4/1988 Wen-Ying ..... F24H 3/0417  
219/472  
D312,302 S \* 11/1990 Fan ..... D23/335  
D333,866 S \* 3/1993 Wang ..... D23/335

(Continued)

**OTHER PUBLICATIONS**

12inchSubwoofers.info, Atrend E10Sv B Box Series 10-inch single vented subwoofer enclosure, May 2012, Product review, [online], Retrieved Feb. 22, 2017 from <URL:http://www.12inchsubwoofers.info/tag/vented>.\*

(Continued)

*Primary Examiner* — Sheryl Lane

*Assistant Examiner* — Calvin E Vansant

(74) *Attorney, Agent, or Firm* — Milligan PC LLP

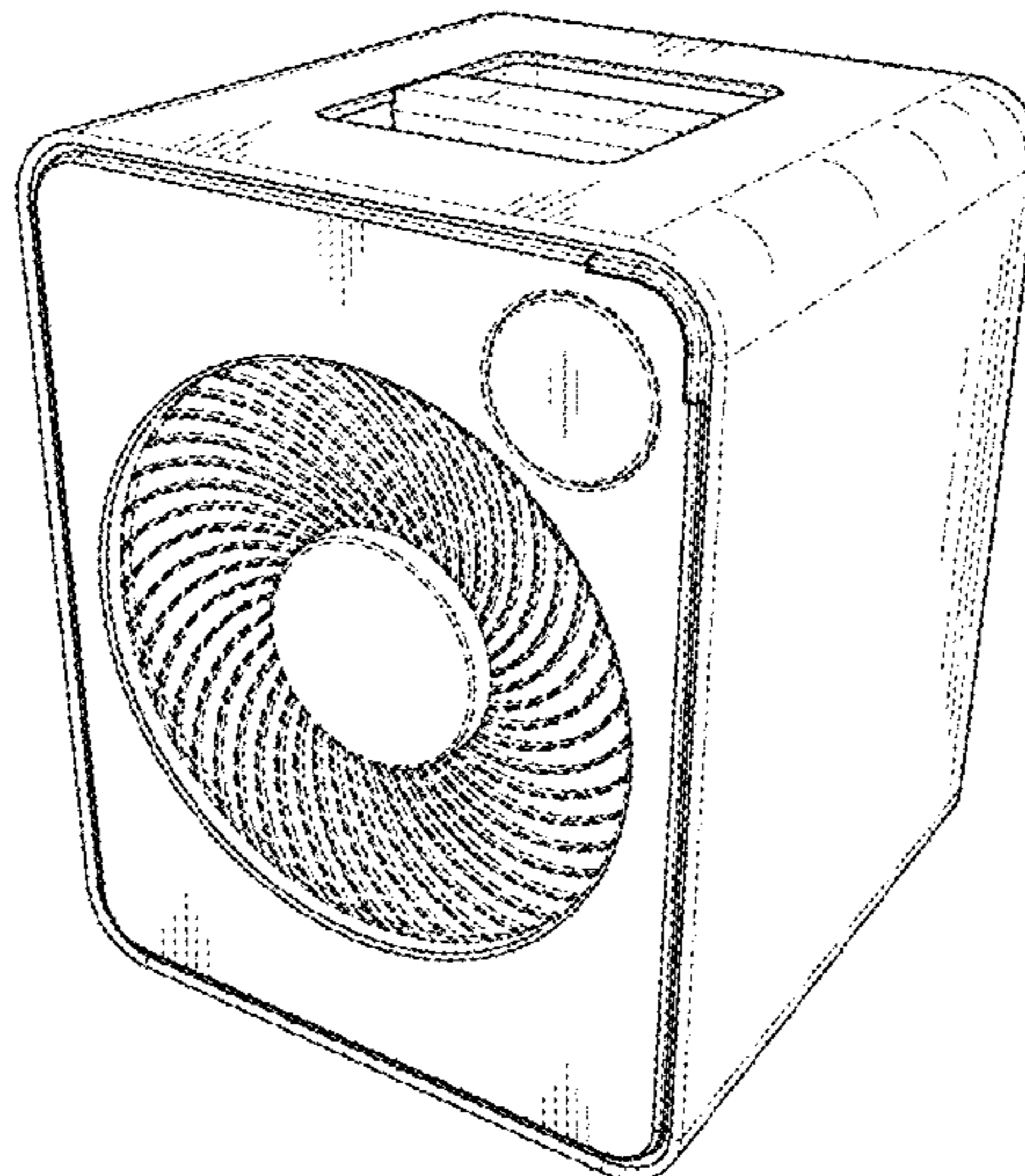
(57) **CLAIM**

The ornamental design for a heater, as shown and described.

**DESCRIPTION**

FIG. 1 is a front, right, top perspective view of the heater; FIG. 2 is a rear, left, top perspective view of the heater of FIG. 1; FIG. 3 is a rear, right, bottom perspective view of the heater of FIG. 1; FIG. 4 is a front elevation view of the heater of FIG. 1; FIG. 5 is a rear elevation view of the heater of FIG. 1; FIG. 6 is a top plan view of the heater of FIG. 1; FIG. 7 is a bottom plan view of the heater of FIG. 1; FIG. 8 is a right elevation view of the heater of FIG. 1; and, FIG. 9 is a left elevation view of the heater of FIG. 1. The broken lines represent portions of the structure that form no part of the claim.

**1 Claim, 9 Drawing Sheets**



(56)

**References Cited**

U.S. PATENT DOCUMENTS

D340,971 S	*	11/1993	Pirro	.....	D14/214
D361,828 S	*	8/1995	Chen	.....	D23/332
D583,919 S	*	12/2008	Backes	.....	D23/344
D651,300 S	*	12/2011	Xu	.....	D23/342
D733,273 S	*	6/2015	Jeon	.....	D23/333
D769,431 S	*	10/2016	Lopez	.....	D23/324
D774,174 S	*	12/2016	Chapman	.....	D23/370

OTHER PUBLICATIONS

Amazon.com, PuraFlame Octavia Red 12 inch Portable Electric Heater, Eco Friendly, 1500W, Online product page, Retrieved Feb. 22, 2017 from <URL:[https://www.amazon.com/PuraFlame-Octavia-Portable-electric-Friendly/dp/B00KIGUX30/ref=cm\\_cr\\_arp\\_d\\_product\\_top?ie=UTF8](https://www.amazon.com/PuraFlame-Octavia-Portable-electric-Friendly/dp/B00KIGUX30/ref=cm_cr_arp_d_product_top?ie=UTF8)>.\*

Optimus Enterprise, Portable Mini Ceramic Heater Model: H-7800, Product page [Online], Retrieved Feb. 22, 2017 from <URL:[http://www.optimusent.com/\\_ceramic%20heaters\\_7800.html](http://www.optimusent.com/_ceramic%20heaters_7800.html)>.\*

\* cited by examiner

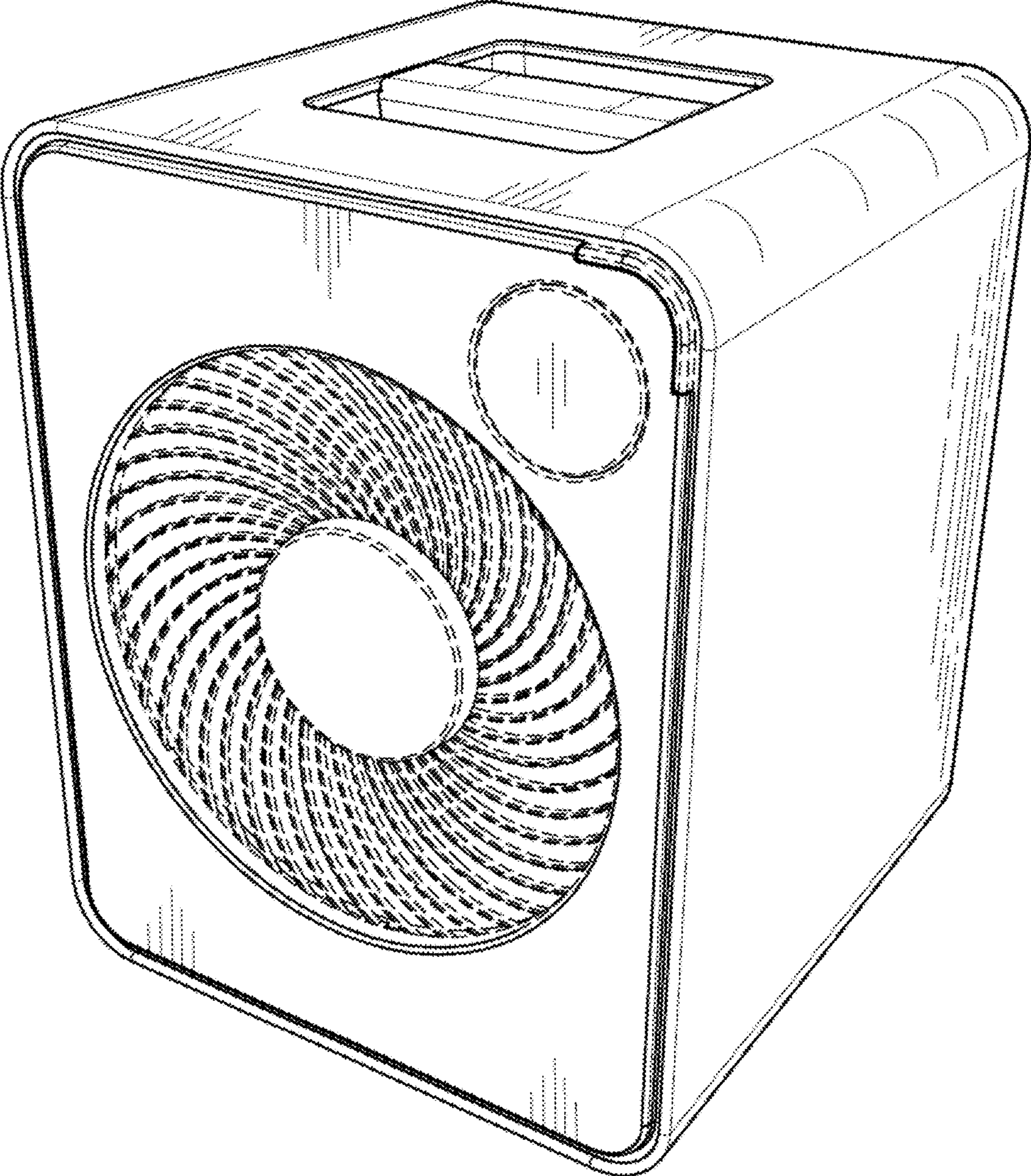


FIG. 1

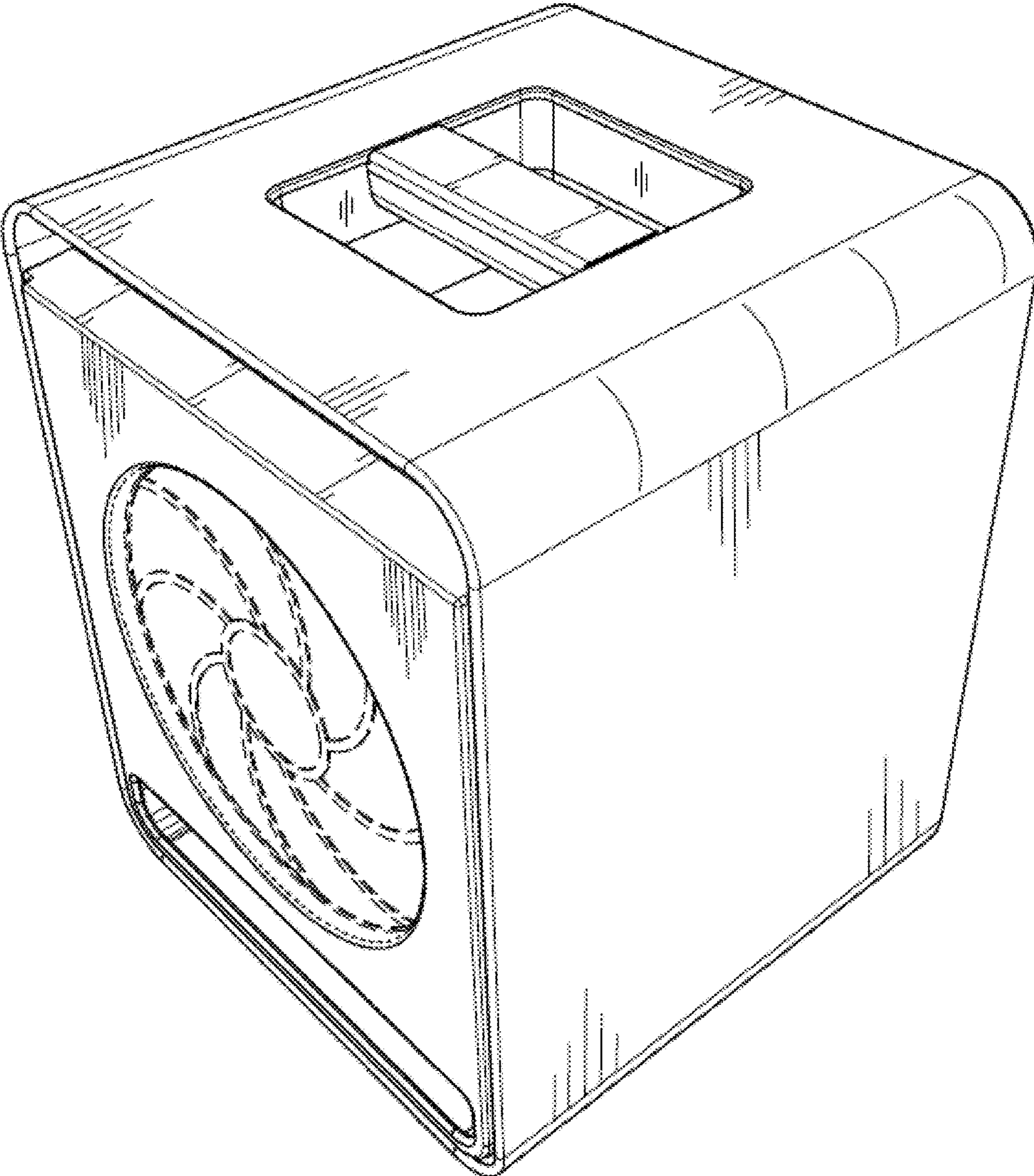


FIG. 2

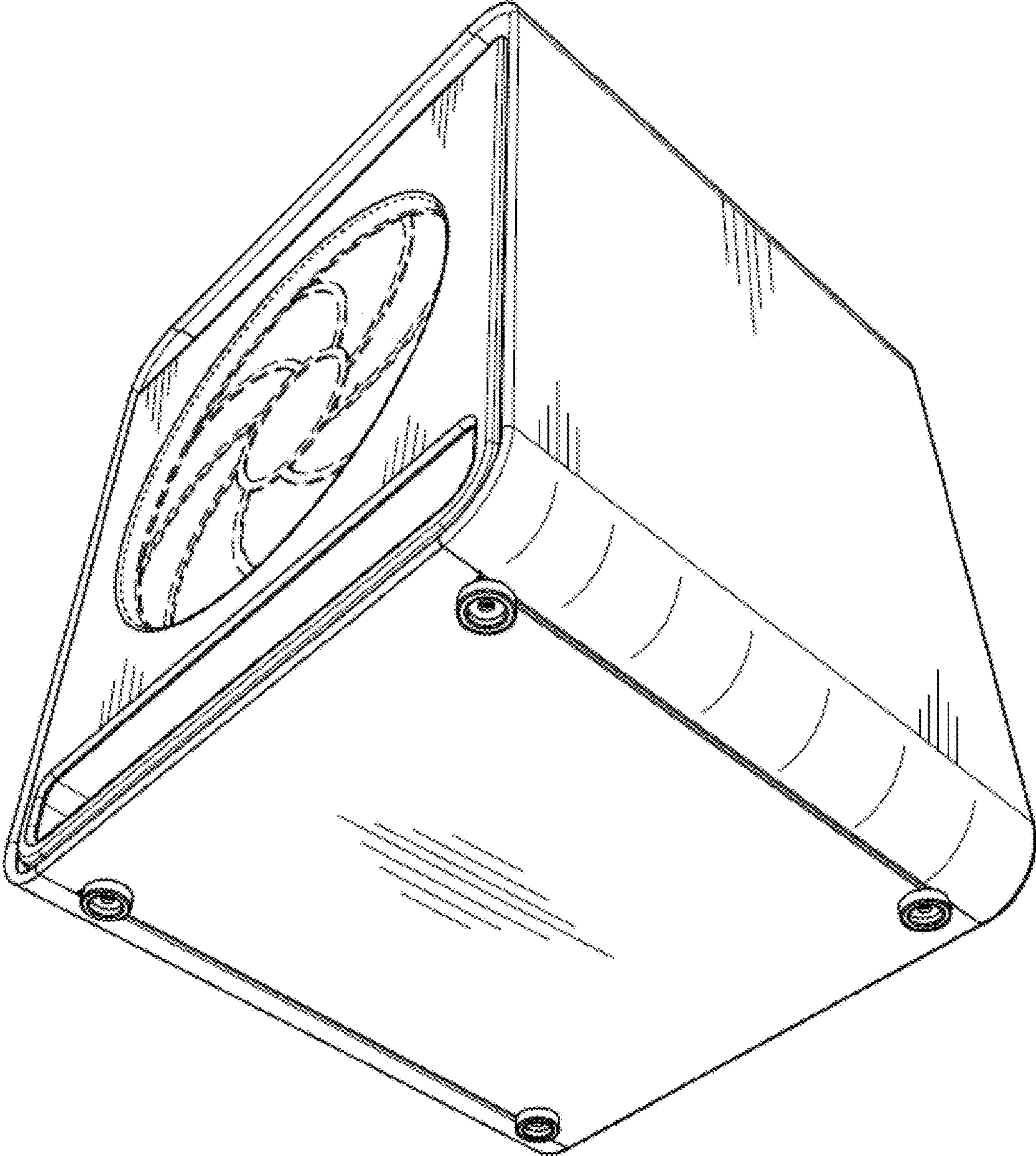


FIG. 3

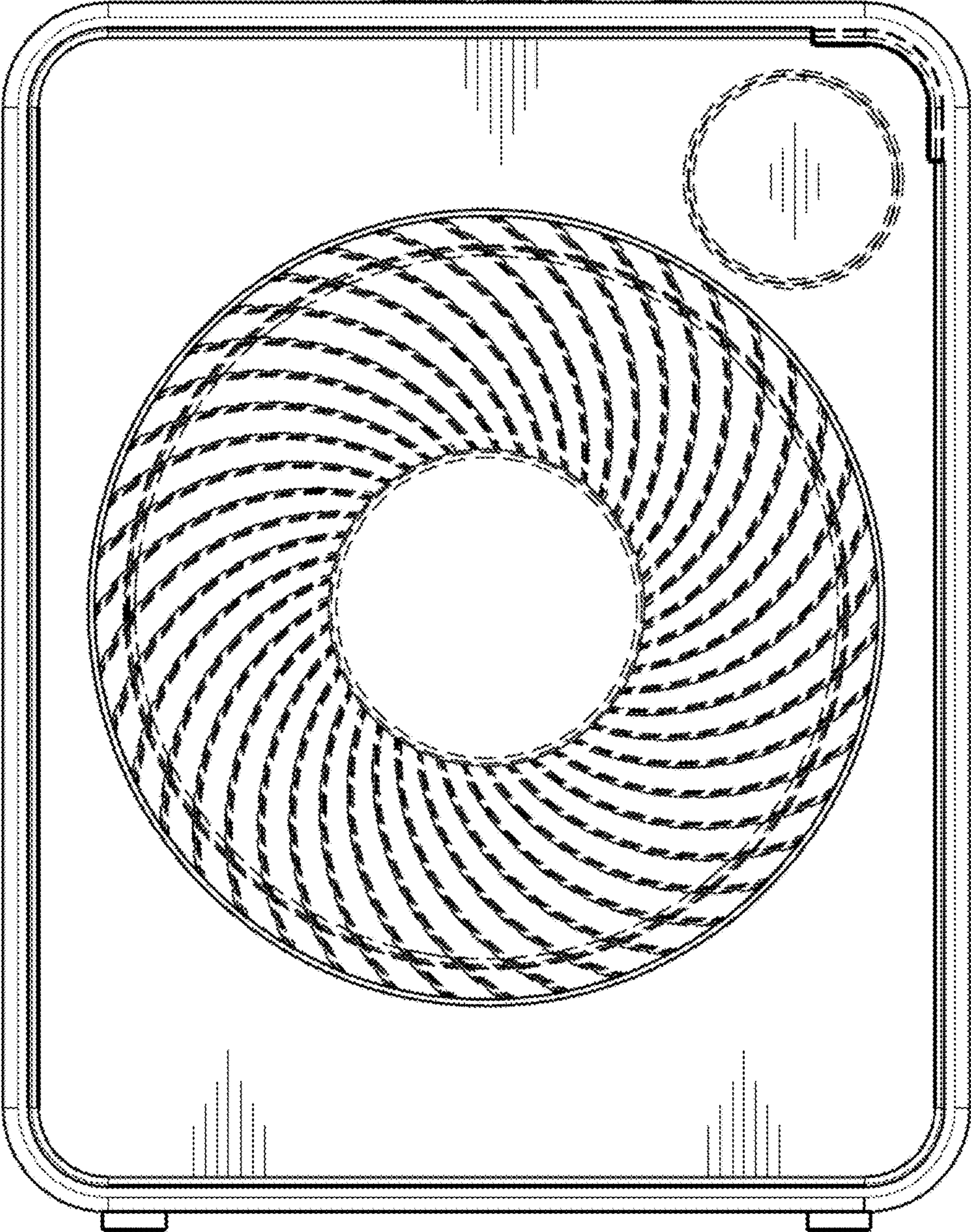


FIG. 4

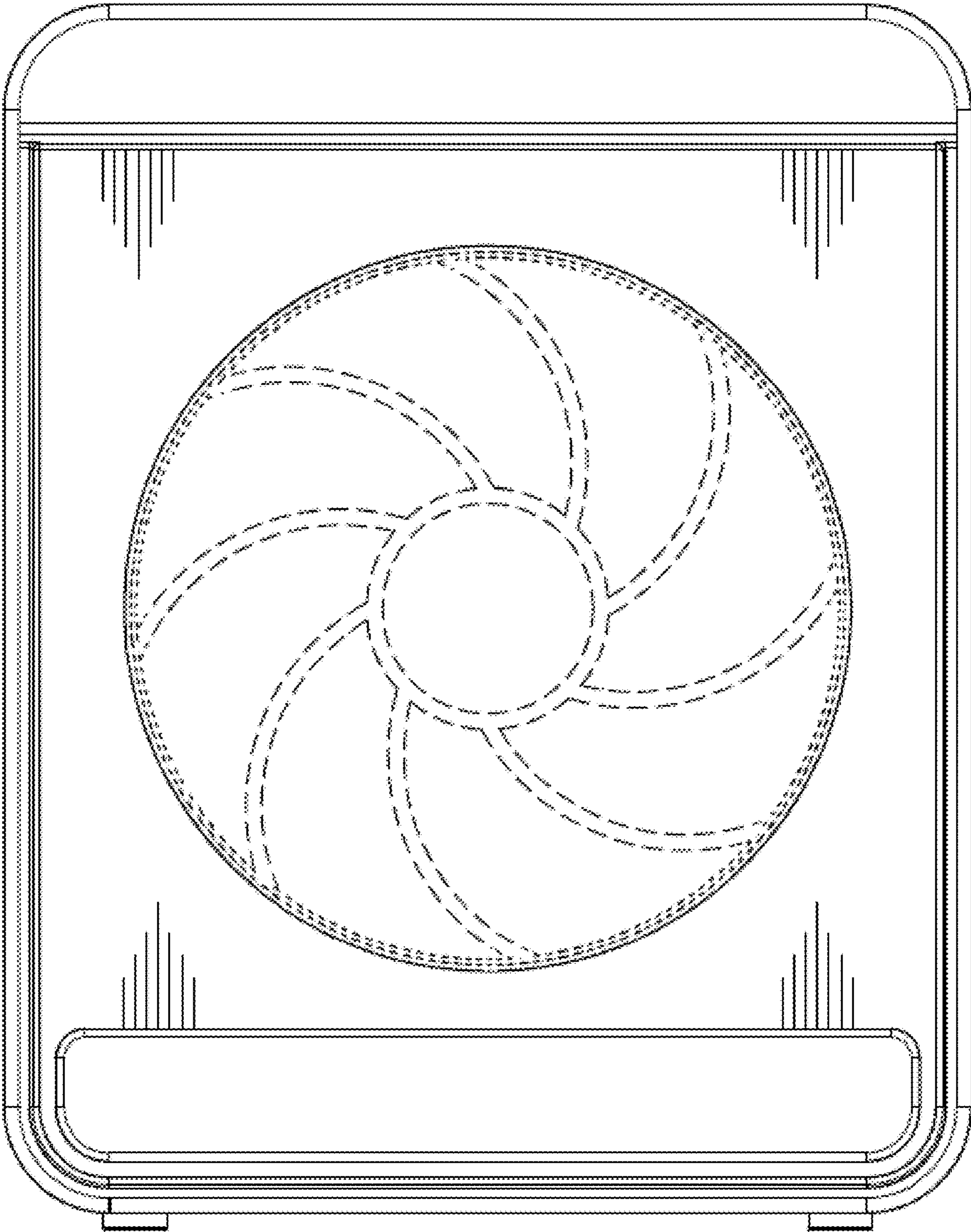


FIG. 5

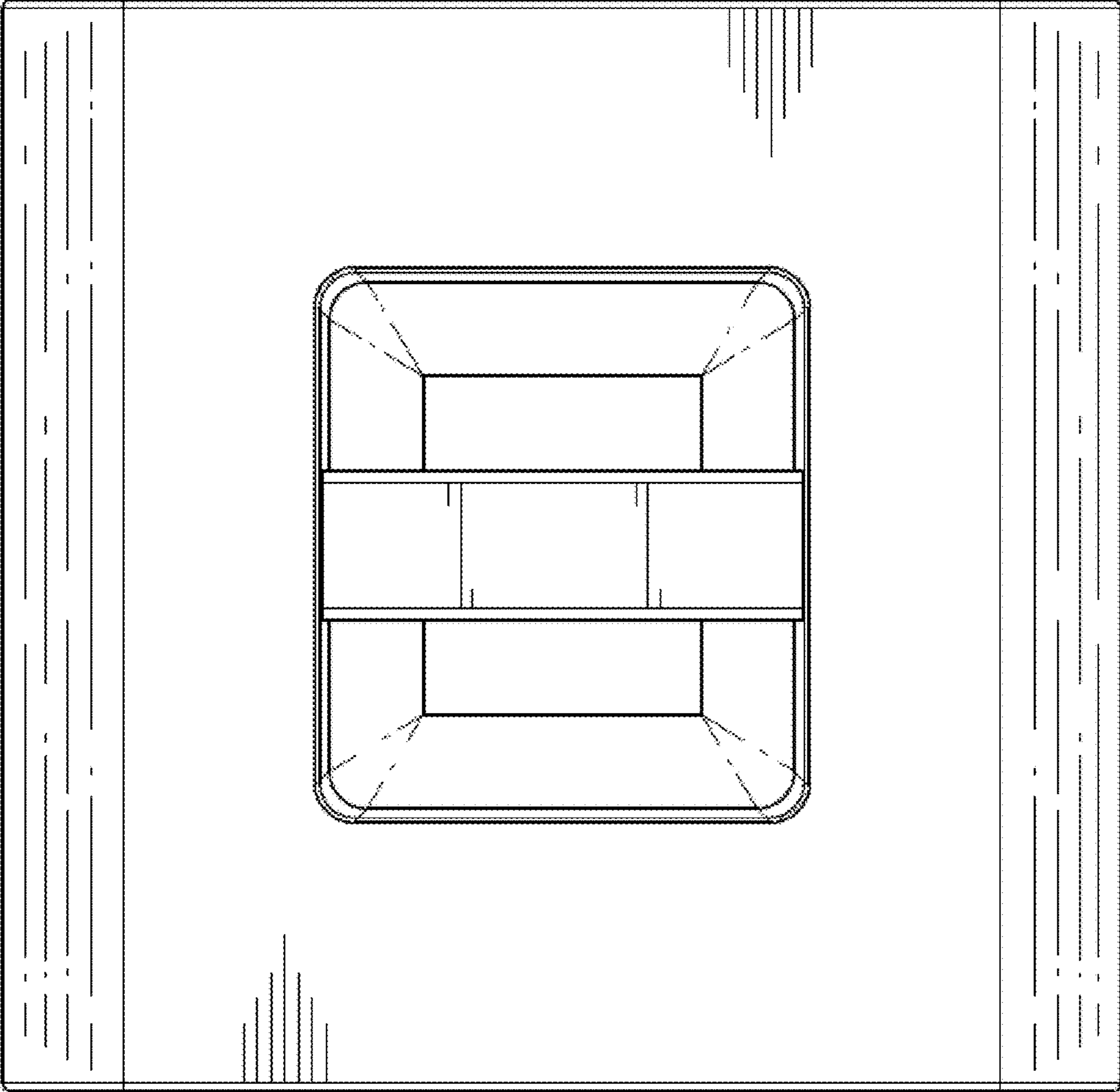


FIG. 6



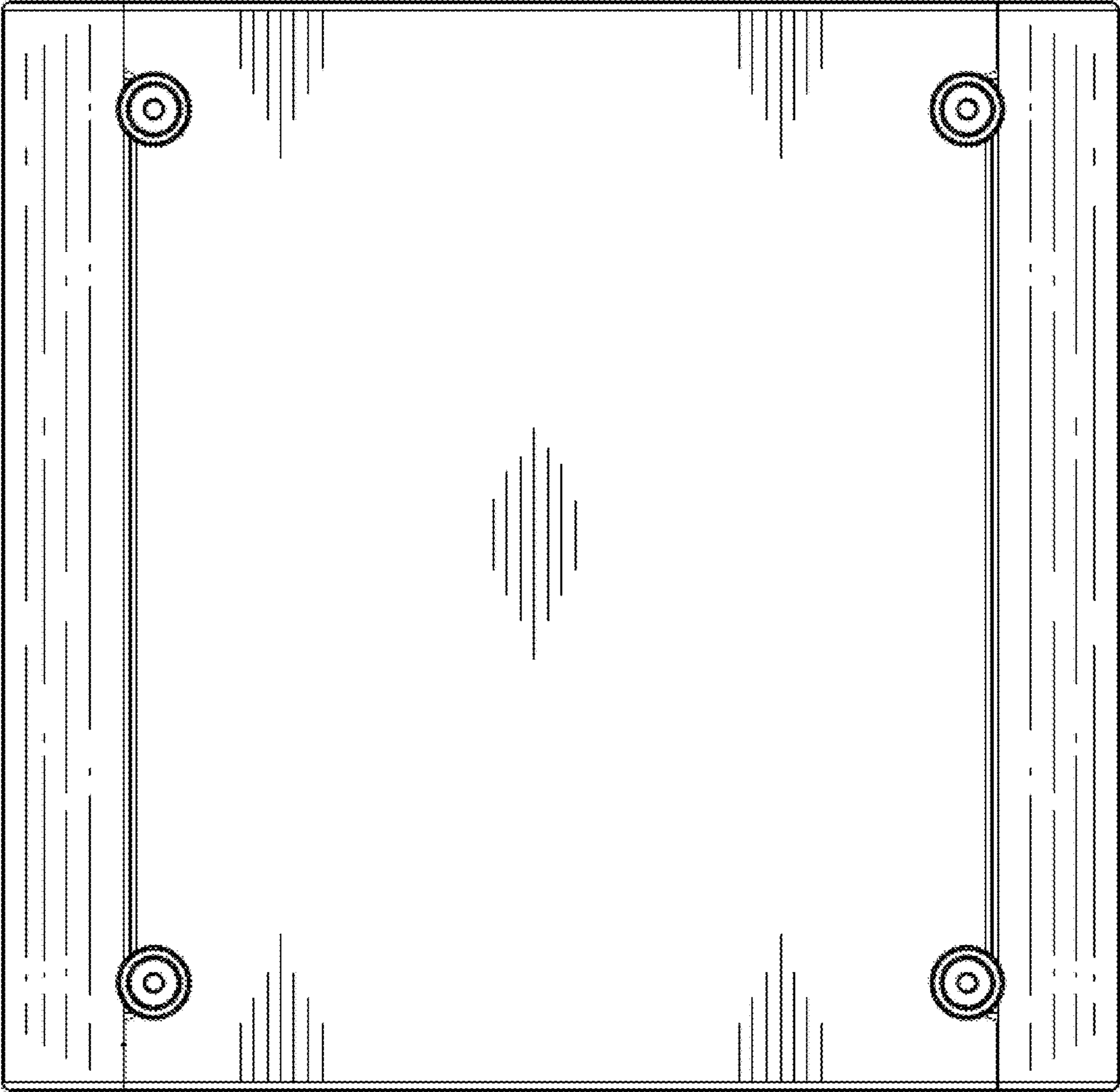


FIG. 7

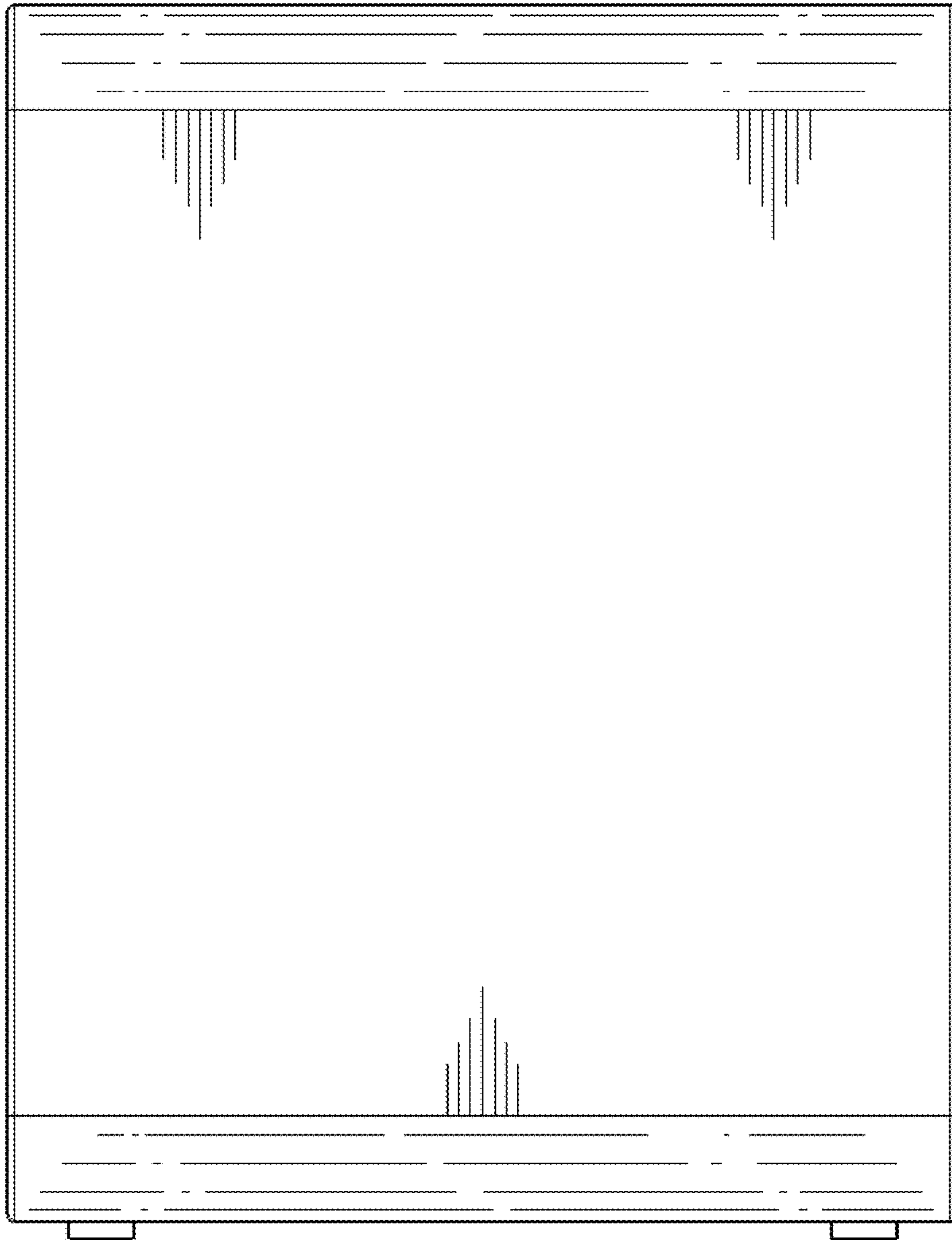


FIG. 8

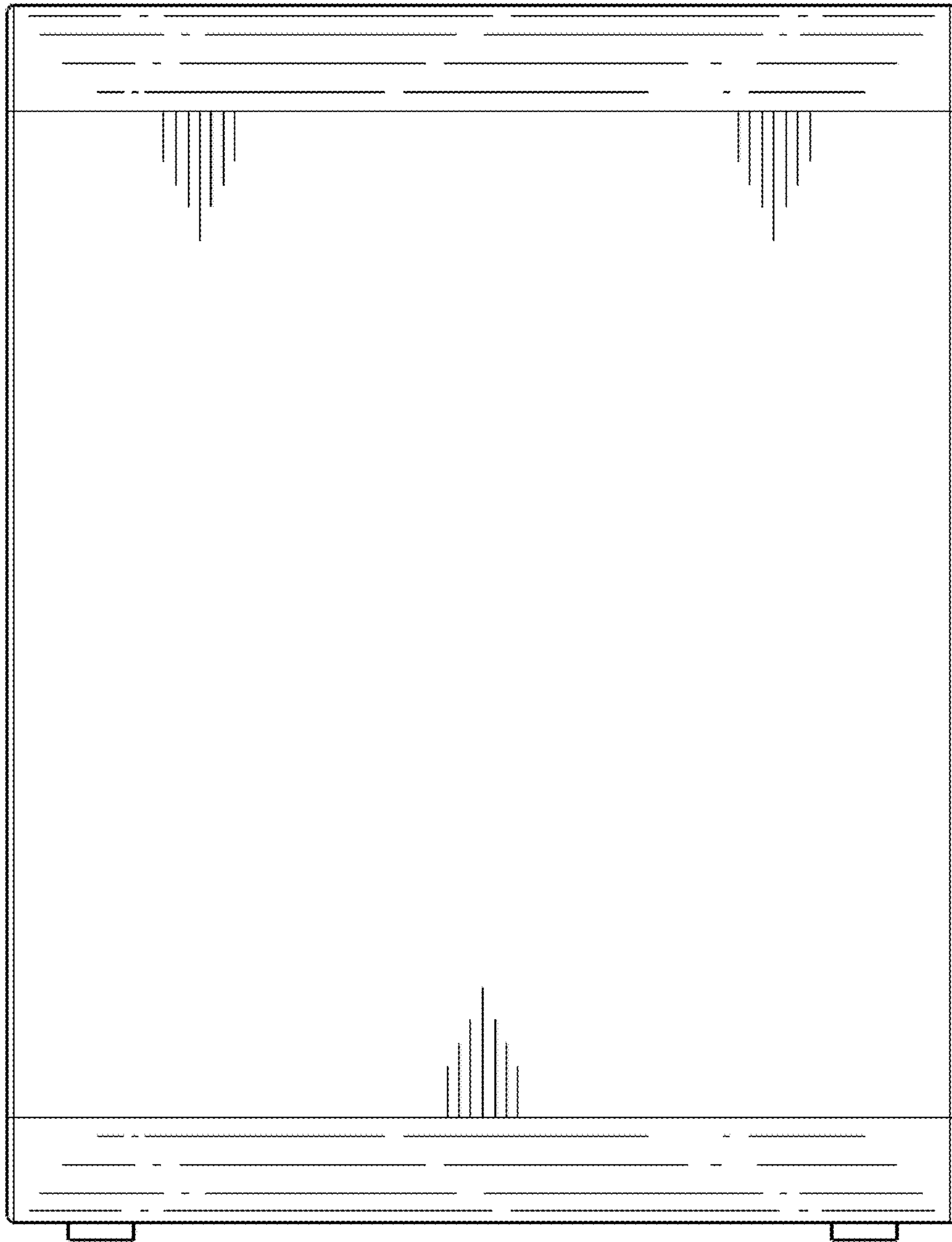


FIG. 9