



US00D804000S

(12) **United States Design Patent**  
**Nomura et al.**

(10) **Patent No.:** **US D804,000 S**

(45) **Date of Patent:** **\*\* Nov. 28, 2017**

(54) **OUTDOOR UNIT FOR AIR CONDITIONER**

(56)

**References Cited**

(71) Applicant: **HITACHI APPLIANCES, INC.**,  
Tokyo (JP)

(72) Inventors: **Kotaro Nomura**, Tokyo (JP); **Kunihito Kawamura**, Tokyo (JP); **Masayoshi Murofushi**, Tokyo (JP); **Kazuhito Sekiba**, Tokyo (JP); **Shuntaro Inoue**, Tokyo (JP)

(73) Assignee: **JOHNSON CONTROLS-HITACHI AIR CONDITIONING TECHNOLOGY (HONG KONG) LIMITED**, Kowloon Bay KLN (HK)

U.S. PATENT DOCUMENTS

D435,095 S	*	12/2000	Nanjo	.....	D23/351
D508,118 S	*	8/2005	Motonishi	.....	D23/351
D604,400 S	*	11/2009	Sata	.....	D23/351
D628,685 S	*	12/2010	Aoyama	.....	D23/351
D629,091 S	*	12/2010	Maezawa	.....	D23/351
D653,741 S	*	2/2012	Tsuji	.....	D23/351
D653,742 S	*	2/2012	Satou	.....	D23/351
D683,836 S	*	6/2013	Suzuki	.....	D23/351
D775,715 S	*	1/2017	Kim	.....	D23/351

FOREIGN PATENT DOCUMENTS

CN	300970959 S	7/2009
CN	302552883 S	8/2013

\* cited by examiner

*Primary Examiner* — George D Kirschbaum  
*Assistant Examiner* — Natasha Vujcic  
(74) *Attorney, Agent, or Firm* — Volpe and Koenig, P.C.

(\*\*) Term: **15 Years**

(21) Appl. No.: **29/556,031**

(22) Filed: **Feb. 26, 2016**

(30) **Foreign Application Priority Data**

Sep. 11, 2015	(JP)	.....	2015-020306
Sep. 11, 2015	(JP)	.....	2015-020307
Sep. 11, 2015	(JP)	.....	2015-020308

(51) **LOC (10) Cl.** ..... **26-04**

(52) **U.S. Cl.**  
USPC ..... **D23/351**

(58) **Field of Classification Search**  
USPC ..... D23/333, 335, 341, 342, 351, 353–356,  
D23/359, 364, 365, 370, 385, 386, 388,  
D23/393  
CPC .... F24F 1/00; F24F 1/0007; F24F 1/02; F24F  
1/08; F24F 1/42; F24F 1/56; F24F 1/60;  
F24F 3/044; F24F 3/048; F24F 3/16;  
F24F 7/00; F24F 7/04; F24F 12/001;  
F24F 12/006

See application file for complete search history.

(57)

**CLAIM**

We claim, the ornamental design for an outdoor unit for air conditioner, as shown and described.

**DESCRIPTION**

FIG. 1 is a perspective view of an outdoor unit for air conditioner according to our new design; FIG. 2 is a front elevational view thereof; FIG. 3 is a rear elevational view thereof; FIG. 4 is a left side elevational view thereof; FIG. 5 is a right side elevational view thereof; FIG. 6 is a top plan view thereof; and, FIG. 7 is a bottom plan view thereof.

**1 Claim, 4 Drawing Sheets**

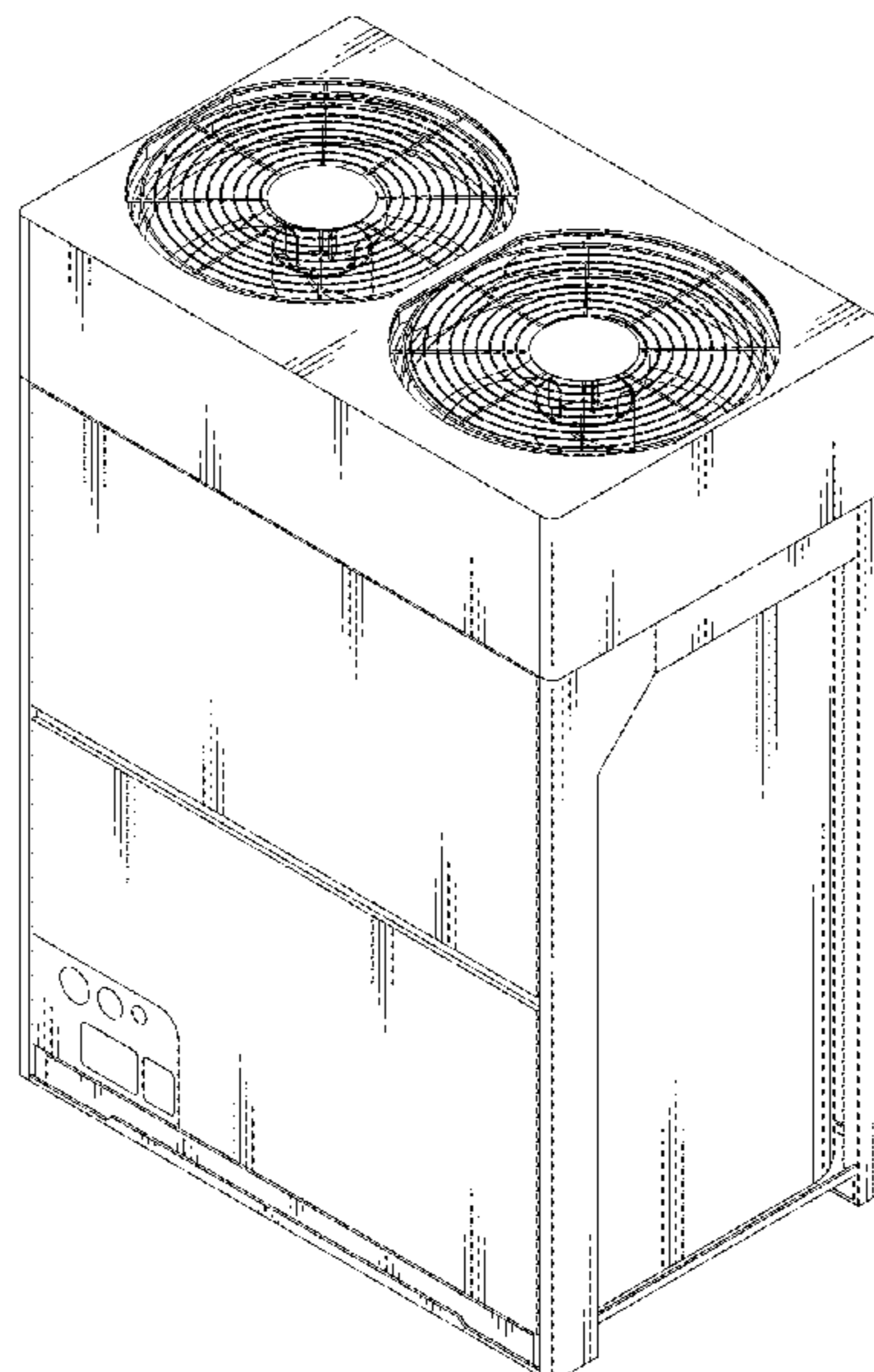


FIG. 1

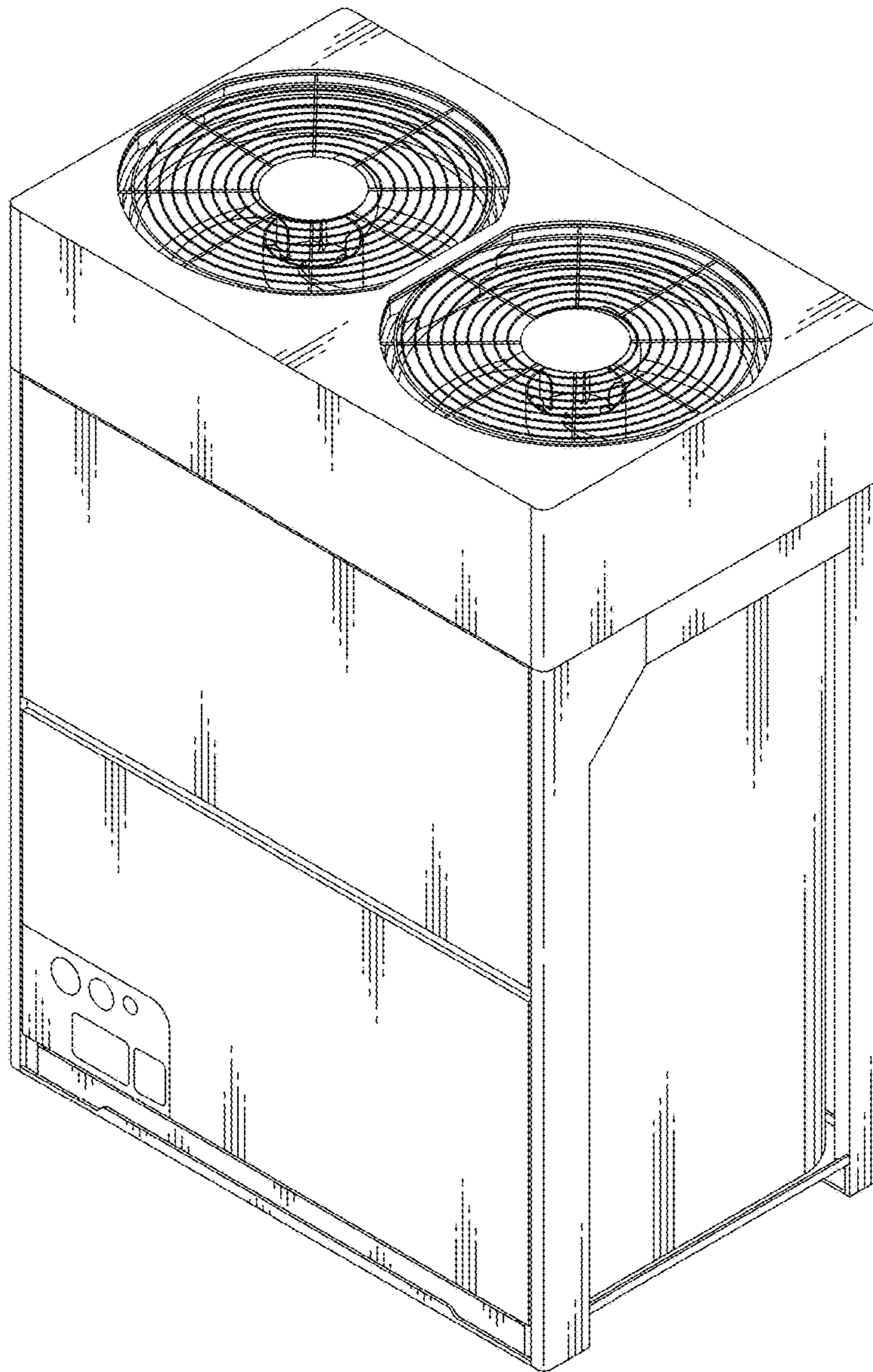


FIG.2

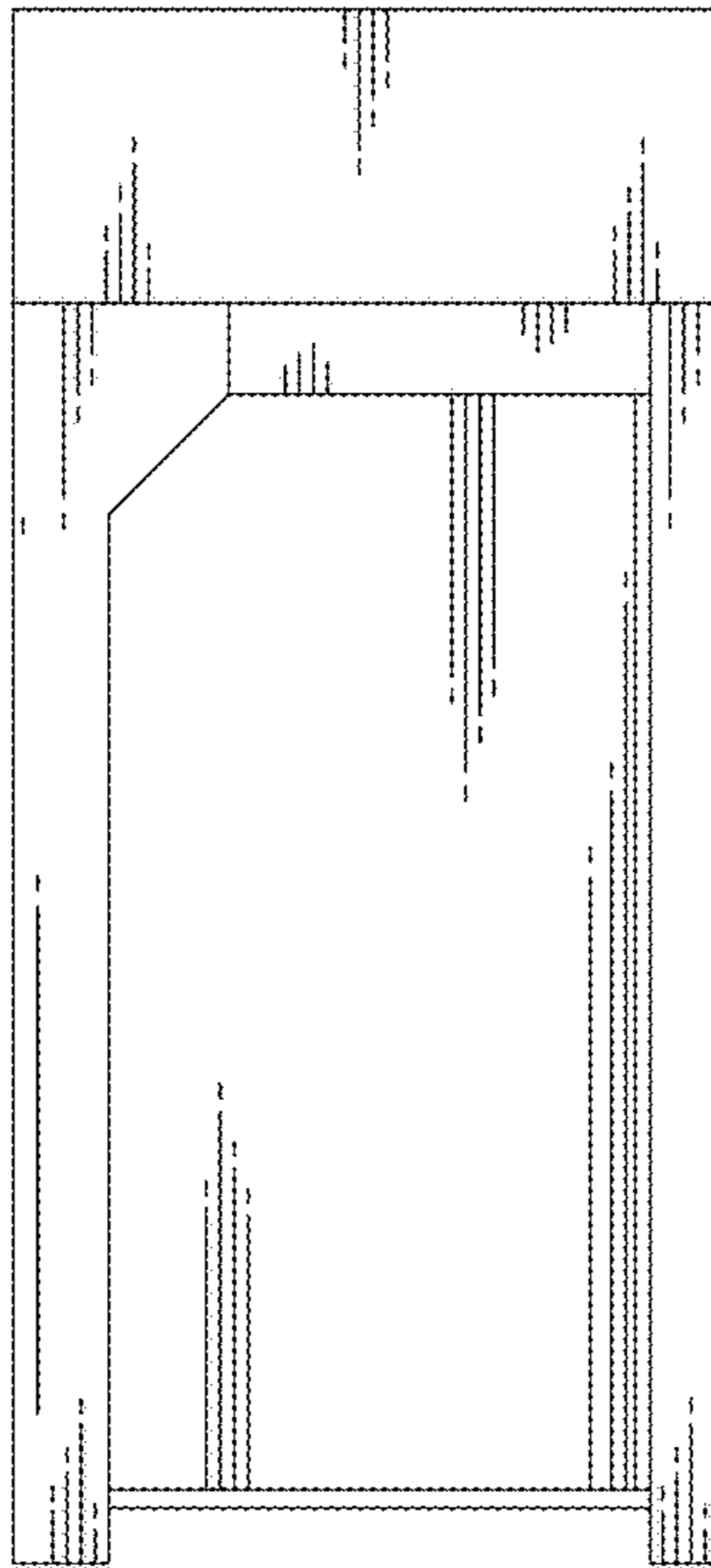


FIG.3

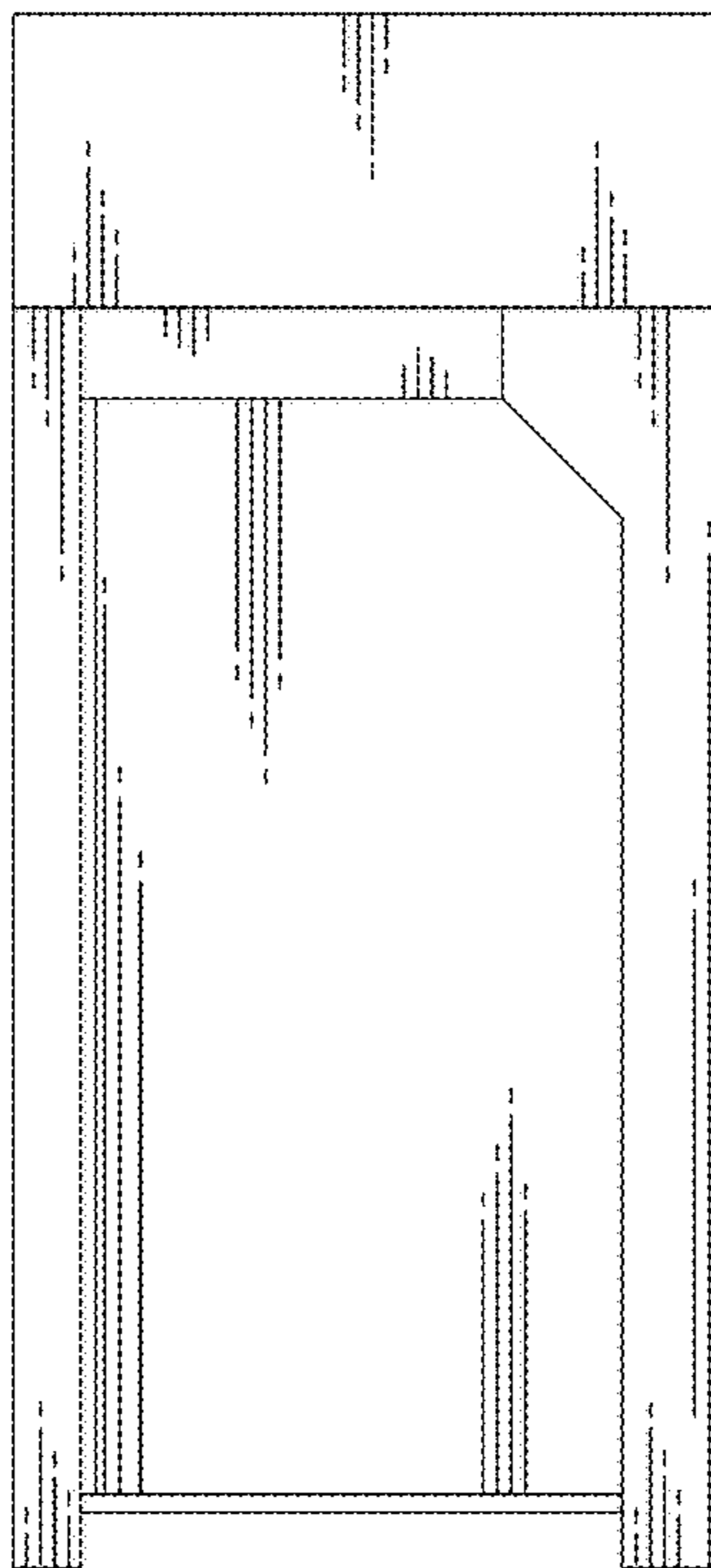


FIG.4

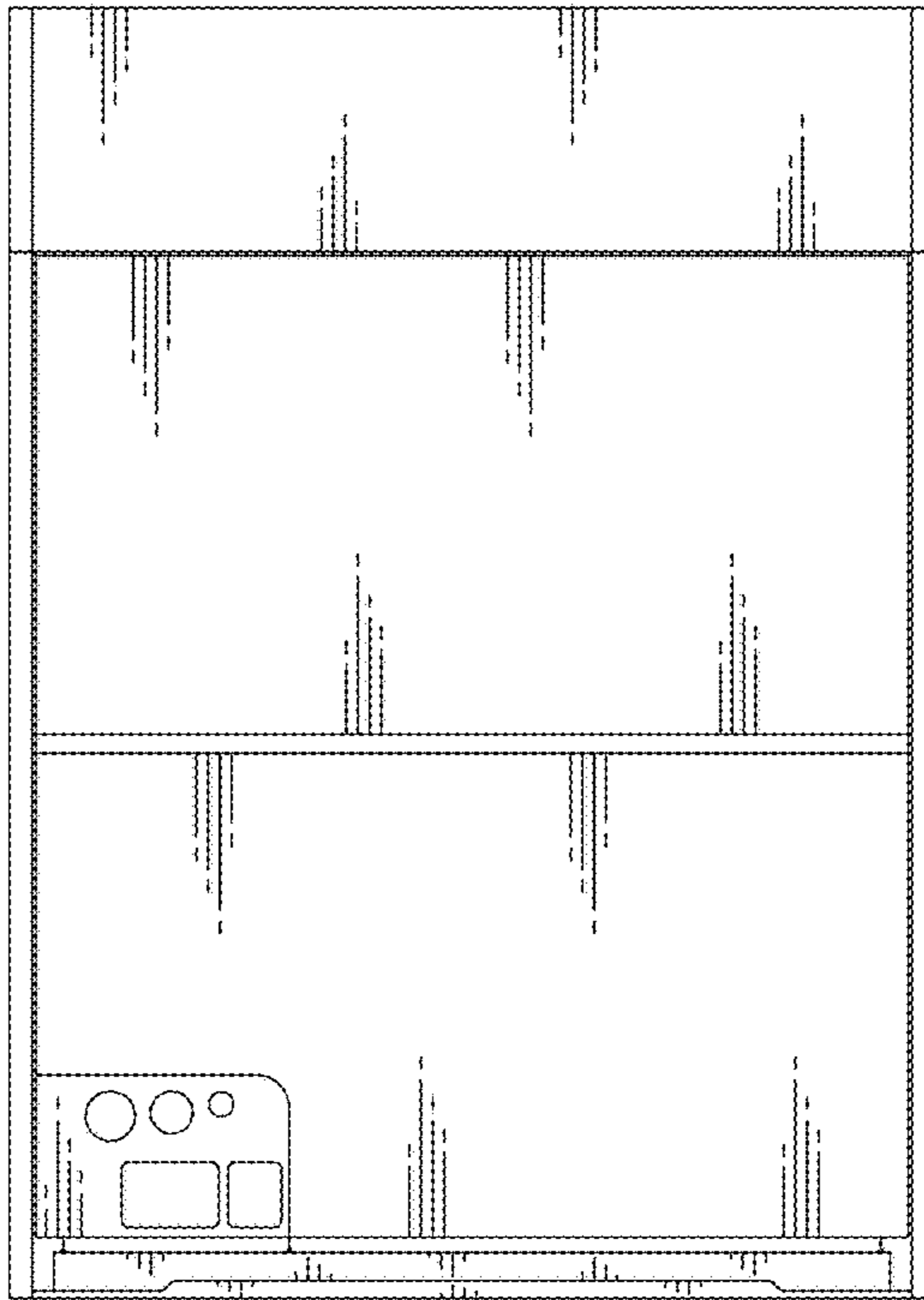


FIG.5

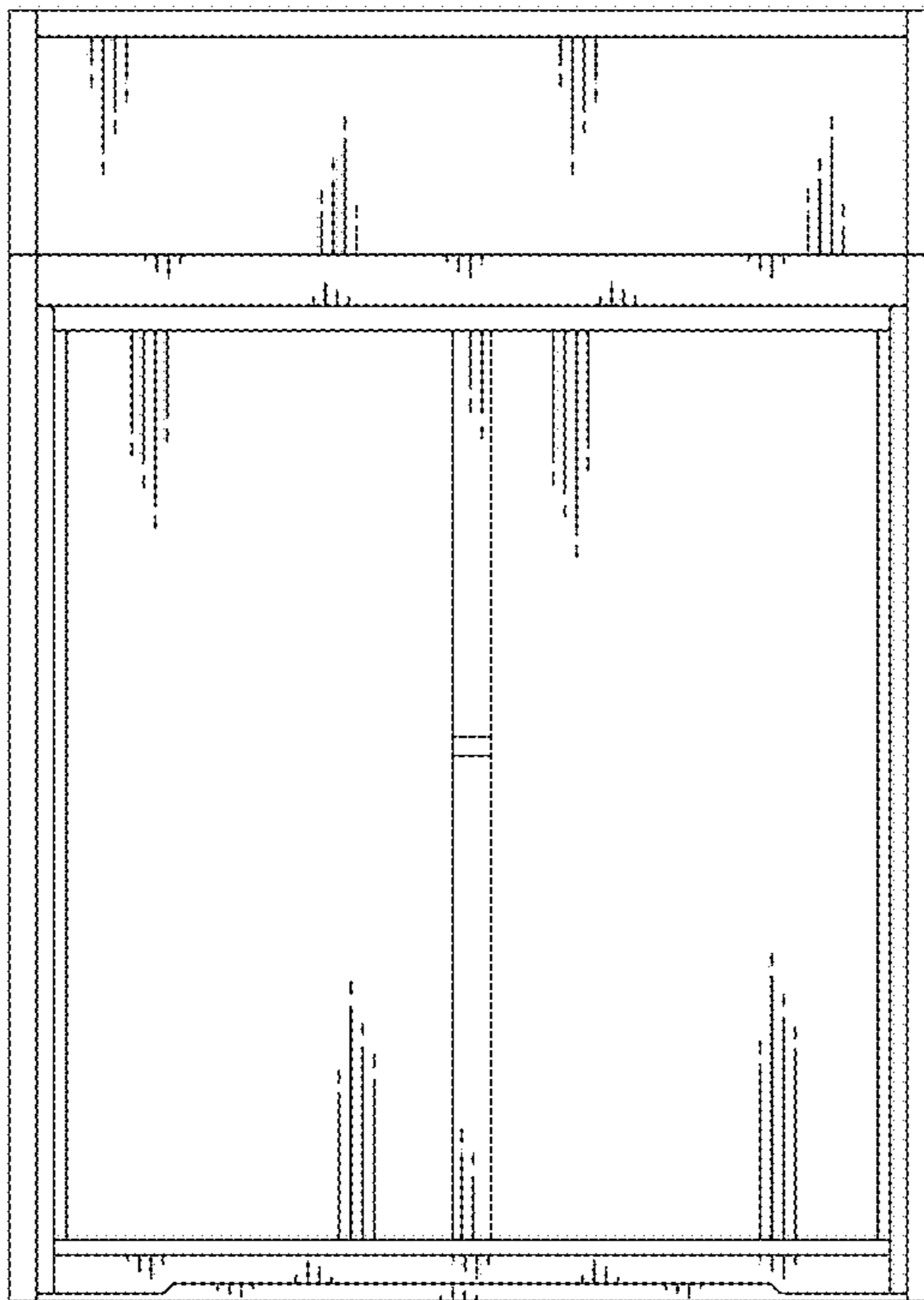




FIG.6

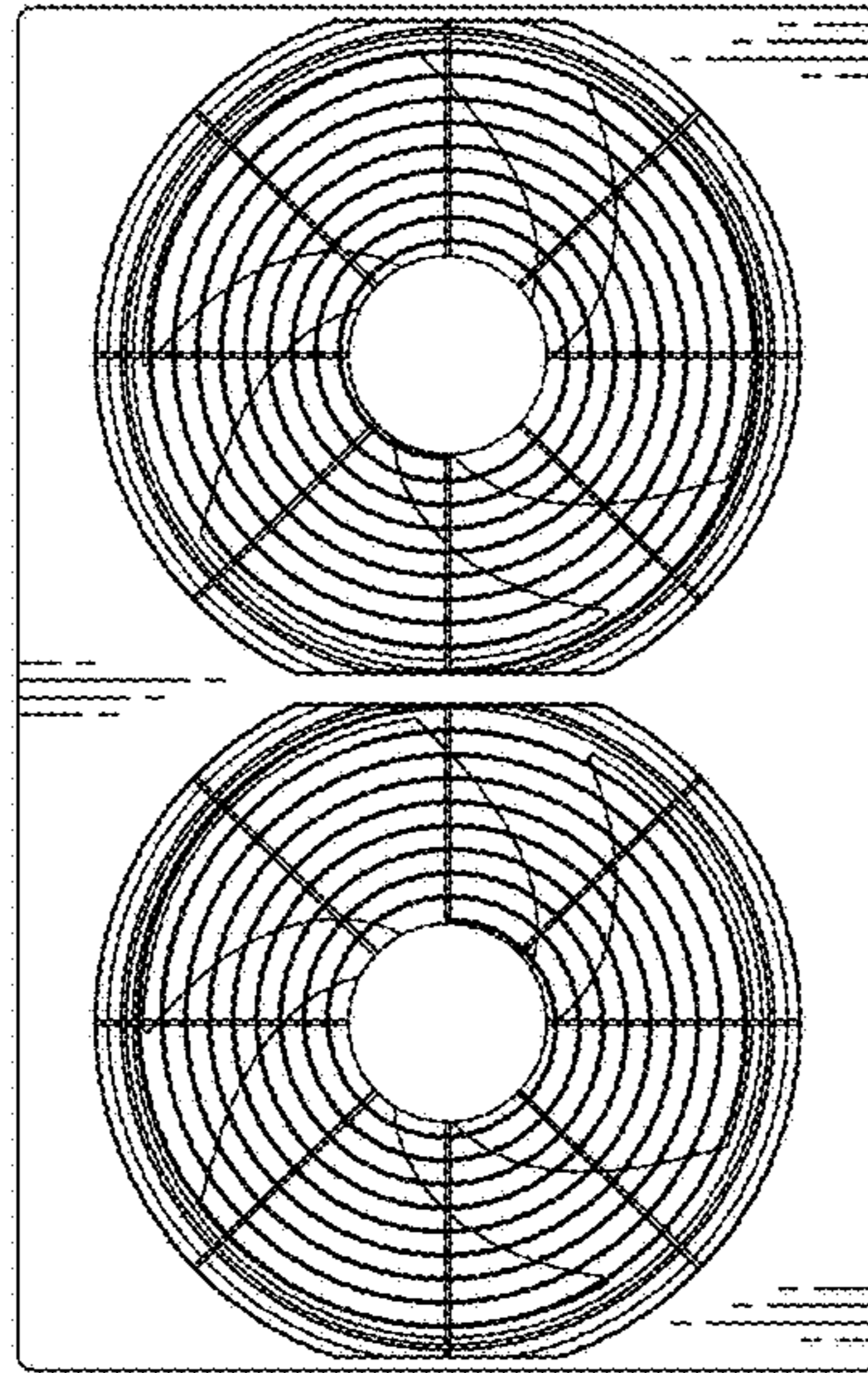


FIG.7

