

US00D803999S

(12) **United States Design Patent** (10) **Patent No.:** **US D803,999 S**  
**Oviatt** (45) **Date of Patent:** **\*\* Nov. 28, 2017**

(54) **FREESTANDING STOVE**

(71) Applicant: **William T. Oviatt**, Lander, WY (US)

(72) Inventor: **William T. Oviatt**, Lander, WY (US)

(\*\*) Term: **15 Years**

(21) Appl. No.: **29/563,728**

(22) Filed: **May 6, 2016**

(51) **LOC (10) Cl.** ..... **23-03**

(52) **U.S. Cl.**  
USPC ..... **D23/342**

(58) **Field of Classification Search**

USPC ..... D23/314, 320, 332, 335-337, 343,  
D23/347-350, 386, 403-409, 416, 41;  
D7/332, 334-337, 339, 341  
CPC . A47J 2037/0777; A47J 37/0763; A47J 33/00  
See application file for complete search history.

(56) **References Cited**

**U.S. PATENT DOCUMENTS**

D269,995 S *	8/1983	Goetz .....	D23/350
D273,035 S *	3/1984	Booker .....	D23/406
D313,070 S *	12/1990	Greene .....	D23/346
D359,115 S *	6/1995	Schroeter .....	D23/342
D390,646 S *	2/1998	Greene .....	D23/346
D427,298 S *	6/2000	Maust .....	D23/343
D493,328 S *	7/2004	Wood .....	D7/332
D710,982 S *	8/2014	Baril .....	D23/314
2009/0107483 A1 *	4/2009	Fitzgerald .....	F24B 1/181 126/519

**OTHER PUBLICATIONS**

Scott, S. Build a Pie Safe, Jun. 2012, Fine Woodworking, [online]  
Retrieved Mar. 9, 2017 from <URL:http://www.finewoodworking.com/2012/07/19/build-a-pie-safe-2>Sharel.\*

Sharkey L., Cherry Pie Safe, Product page, [online], undated,  
Retrieved Mar. 9, 2017 from <URL:http://www.leosharkeyfinewoodworking.com/casework.html>.\*

Amazon.com, Woodworking Plan and Instructions to Build a Pie Safe Cabinet, undated, [online], Retrieved Mar. 9, 2017 from <URL:https://www.amazon.com/Woodworking-Plan-Instructions-Build-Cabinet/dp/B00AWH5C1S>.\*

\* cited by examiner

*Primary Examiner* — Sheryl Lane

*Assistant Examiner* — Calvin E Vansant

(74) *Attorney, Agent, or Firm* — Polson Intellectual Property Law, PC; Margaret Polson

(57) **CLAIM**

The ornamental design for a freestanding stove, as shown and described.

**DESCRIPTION**

FIG. 1 is a front isometric view of my new design for a freestanding stove.

FIG. 2 is a front side elevation view thereof;

FIG. 3 is a right side elevation view thereof, the left side being a mirror view of FIG. 3.

FIG. 4 is a back side elevation view of FIG. 1.

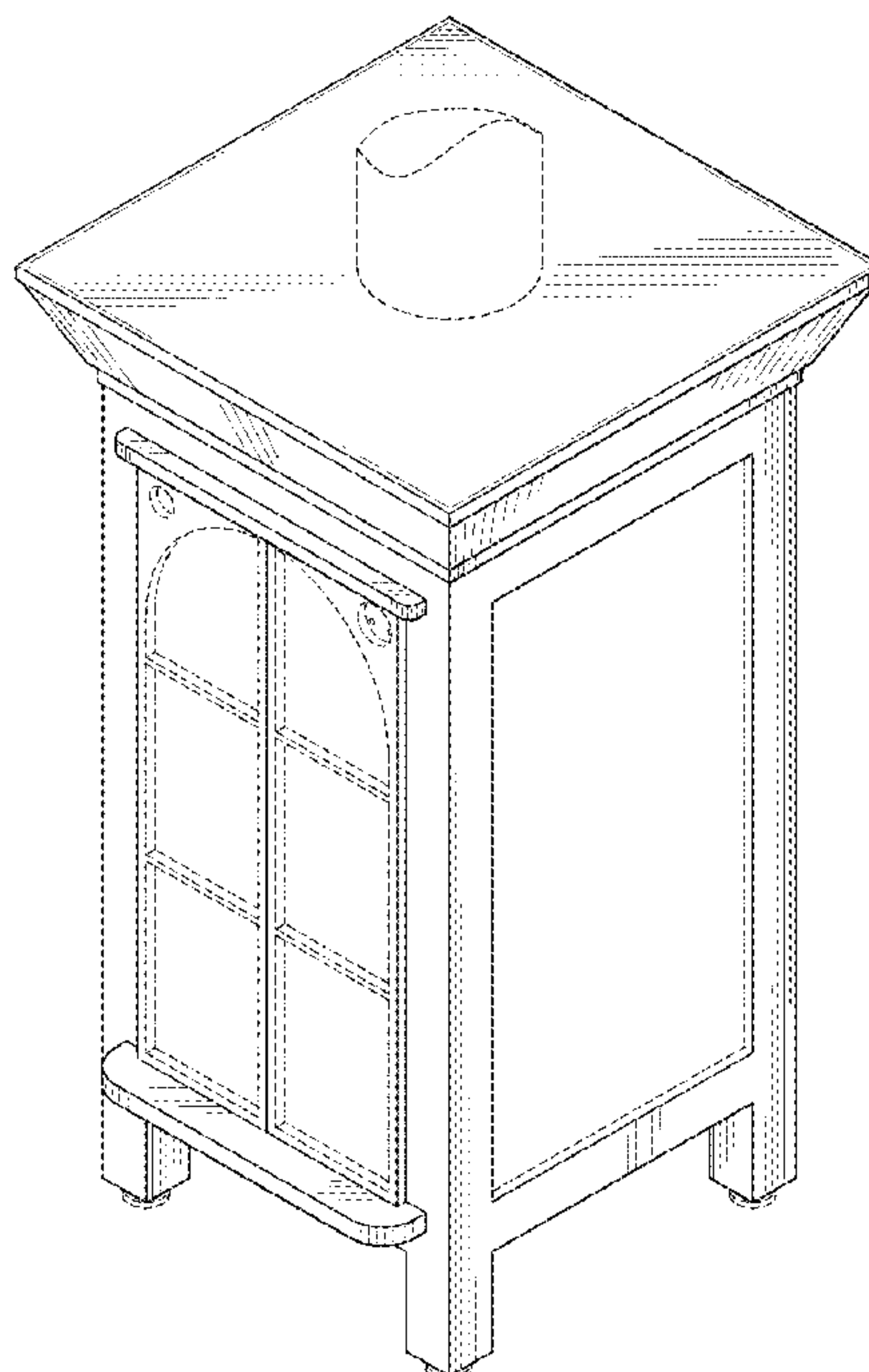
FIG. 5 is a top plan view thereof;

FIG. 6 is a bottom plan thereof; and,

FIG. 7 is a front plan view of the embodiment of FIG. 1 with the doors in the open position.

The broken lines depict portions of the freestanding stove that form no part of the claim.

**1 Claim, 3 Drawing Sheets**



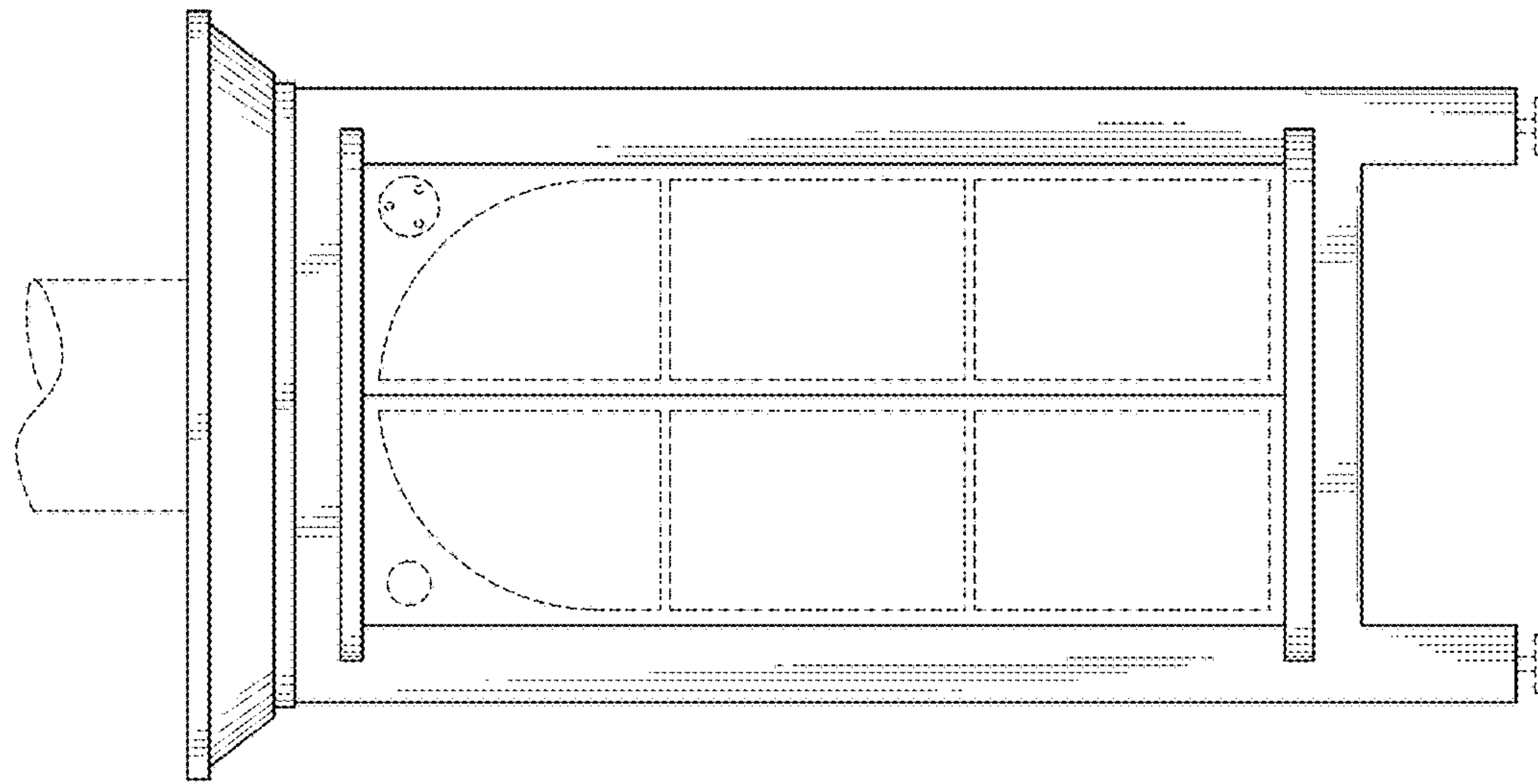


FIG. 2

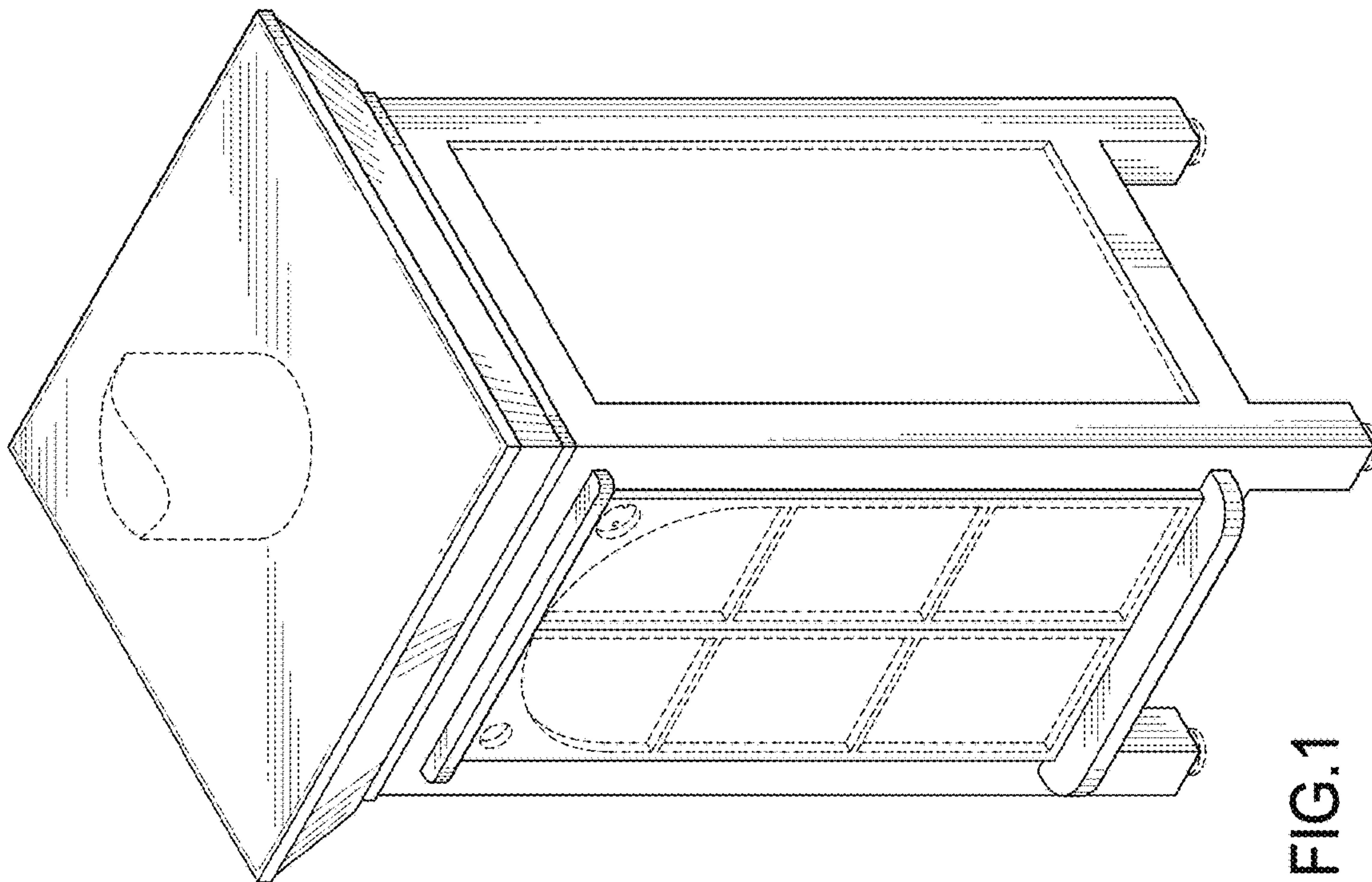


FIG. 1

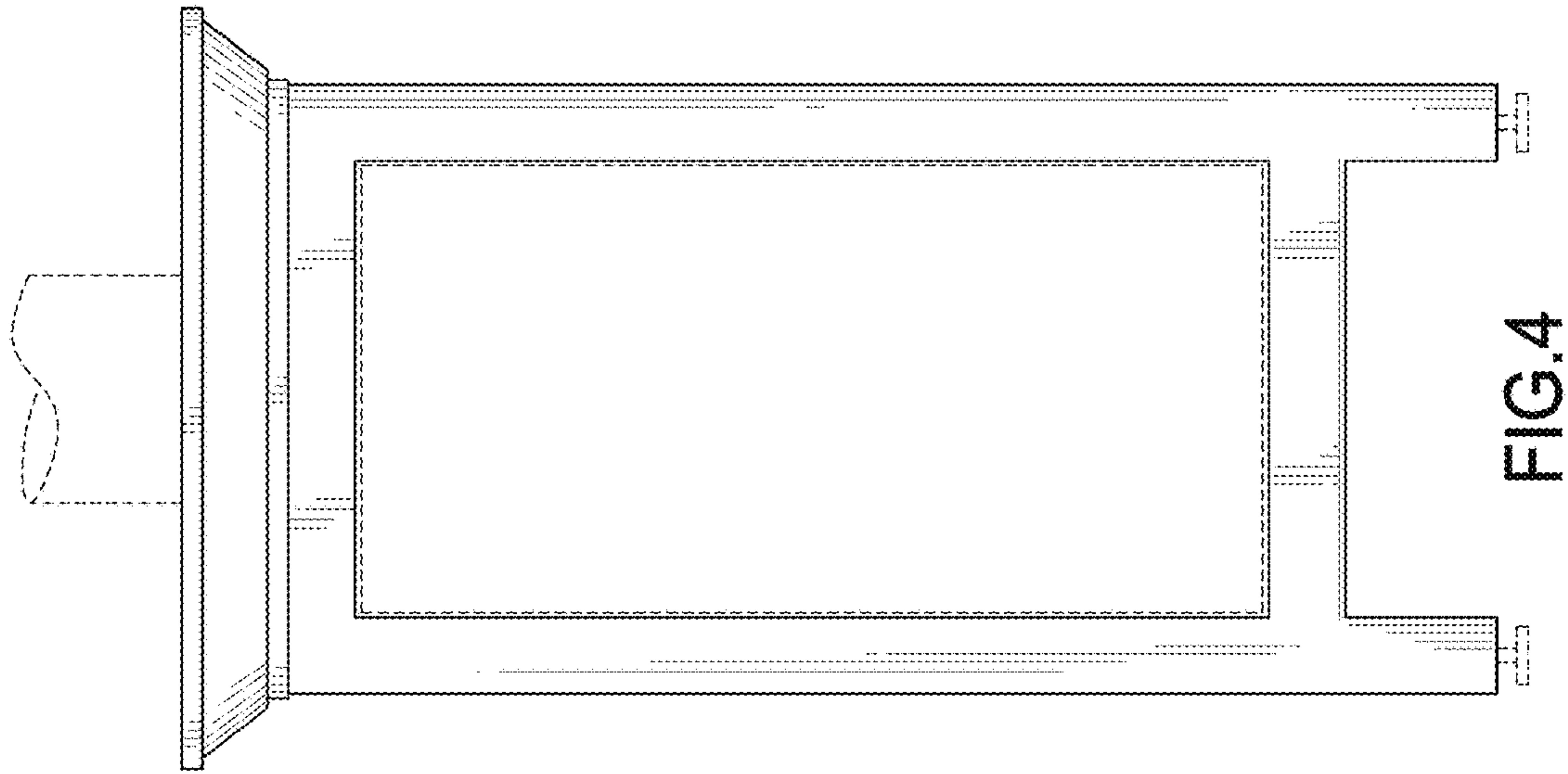


FIG. 4

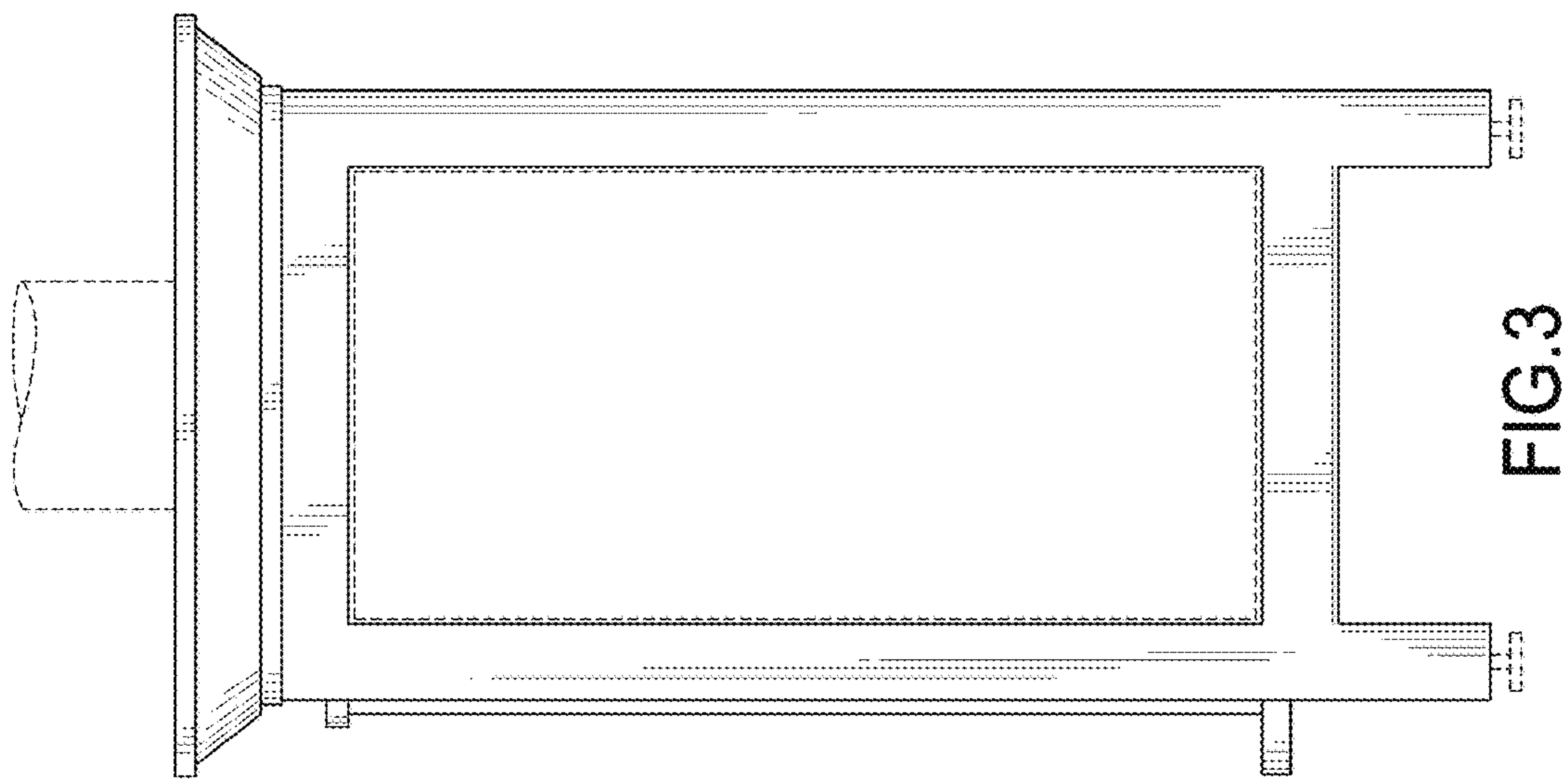


FIG. 3



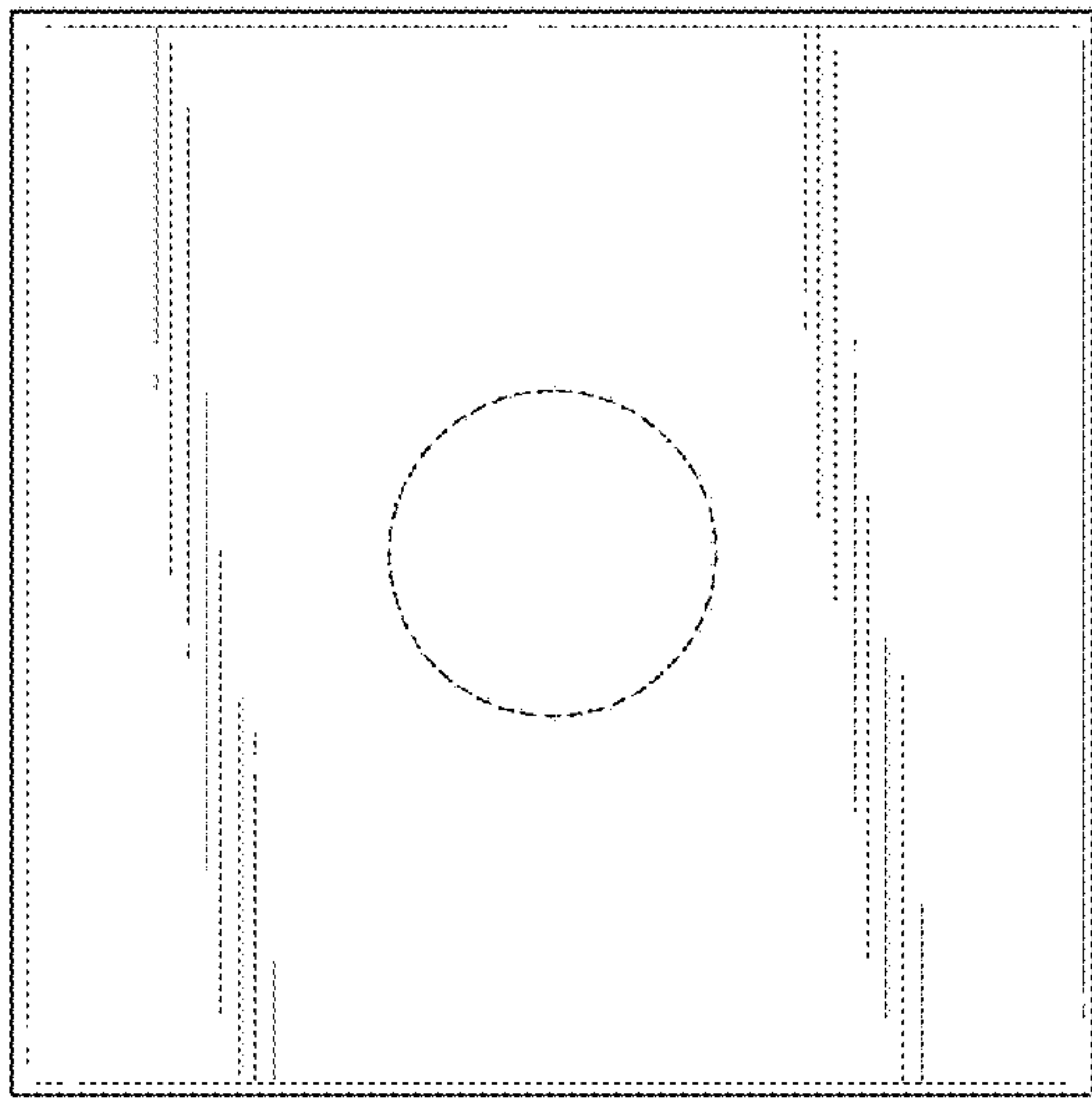


FIG. 5

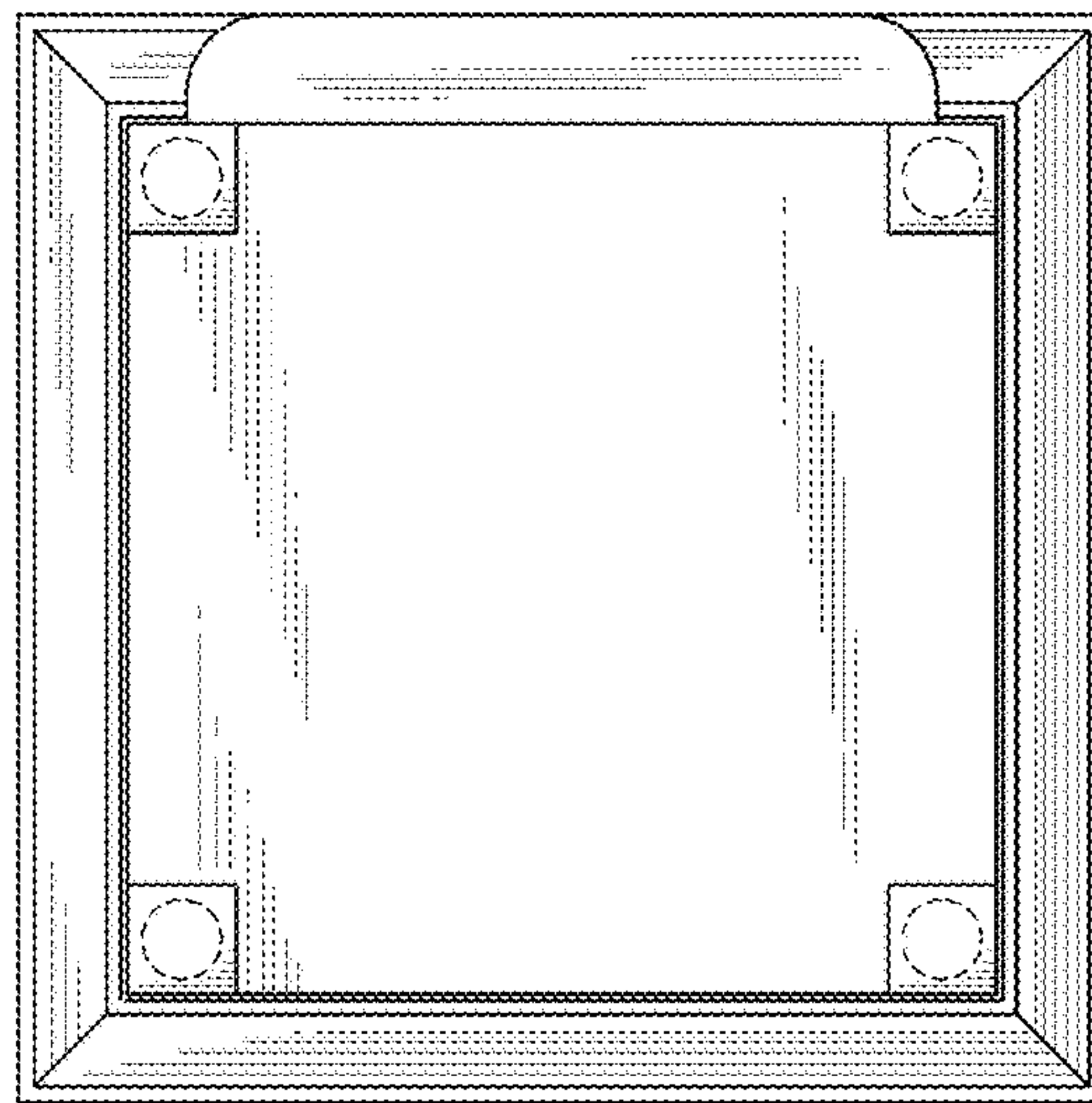


FIG. 6

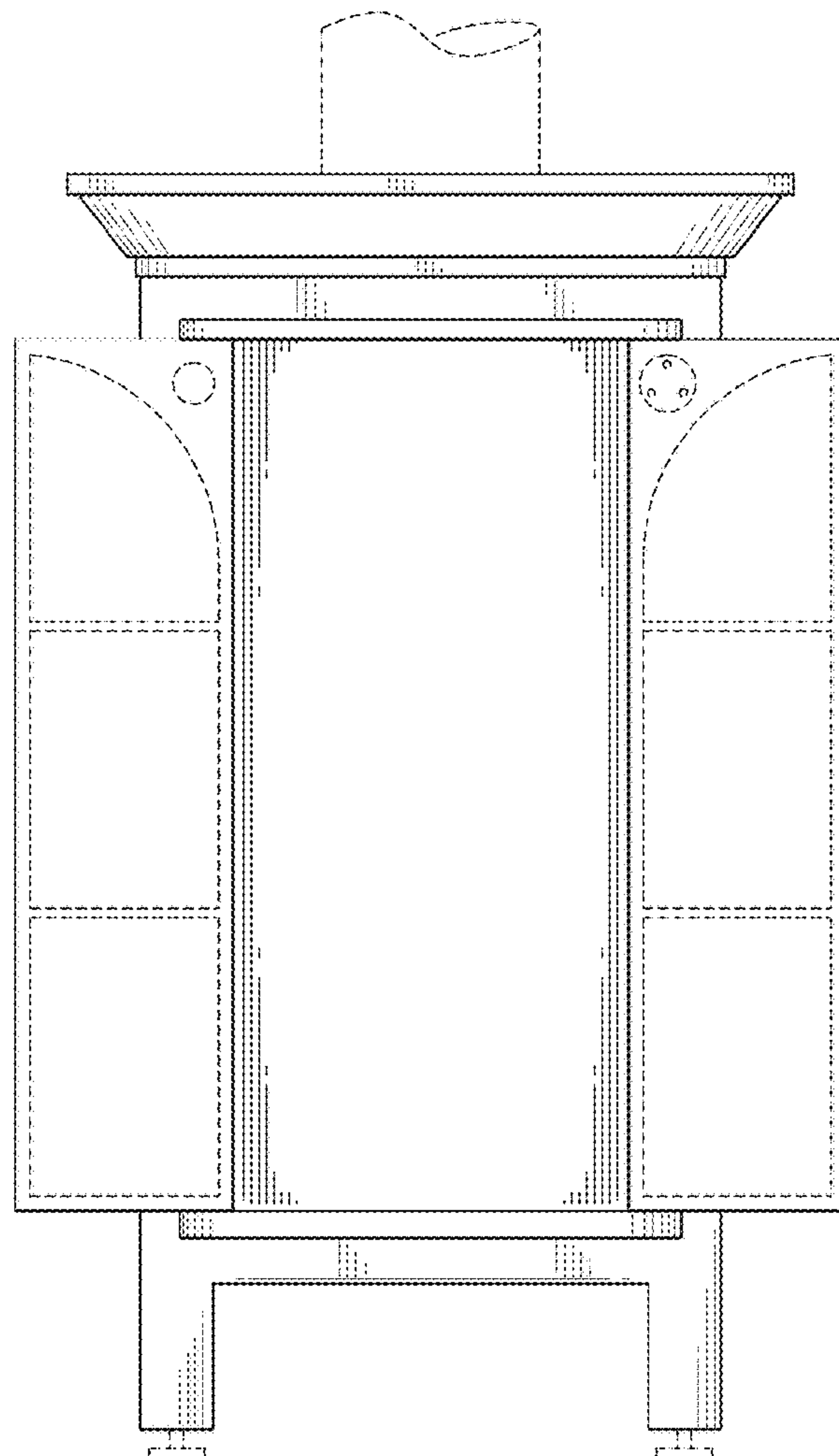


FIG. 7