



US00D803997S

(12) **United States Design Patent**  
**Bodman et al.**

(10) **Patent No.:** **US D803,997 S**  
(45) **Date of Patent:** **\*\* Nov. 28, 2017**

- (54) **TOILET RISER SUPPORT**
- (71) Applicant: **MOBB HEALTH CARE LTD CORPORATION CANADA**, Concord, Ontario (CA)
- (72) Inventors: **Moshe Bodman**, Toronto (CA); **Philip Wilcox**, Toronto (CA)
- (73) Assignee: **Mobb Health Care Ltd Corporation Canada** (CA)
- (\*\*) Term: **15 Years**
- (21) Appl. No.: **29/575,035**
- (22) Filed: **Aug. 22, 2016**
- (51) **LOC (10) Cl.** ..... **23-02**
- (52) **U.S. Cl.**  
USPC ..... **D23/309**
- (58) **Field of Classification Search**  
USPC ..... D23/295-301, 303, 309, 313; D6/709; D12/129  
CPC ..... A61G 5/1002; A47K 11/04; A47K 3/122; A47K 10/40  
See application file for complete search history.

- 4,715,069 A \* 12/1987 James ..... A47K 17/026 4/254
  - 4,882,791 A \* 11/1989 Kimes ..... A47K 17/026 4/252.1
  - D336,682 S \* 6/1993 Francke ..... D23/309
- (Continued)

**OTHER PUBLICATIONS**

Mobb Toilet Seat Frame found online [Aug. 21, 2017]—<http://agecomfort.com/products/mobb-ultimate-toilet-safety-frame.html>.\*

*Primary Examiner* — Robert M. Spear  
*Assistant Examiner* — John A Voytek  
(74) *Attorney, Agent, or Firm* — Greg M. Popowitz; Assouline & Berlowe, P.A.

(57) **CLAIM**

The ornamental design for a toilet riser support, as shown and described.

**DESCRIPTION**

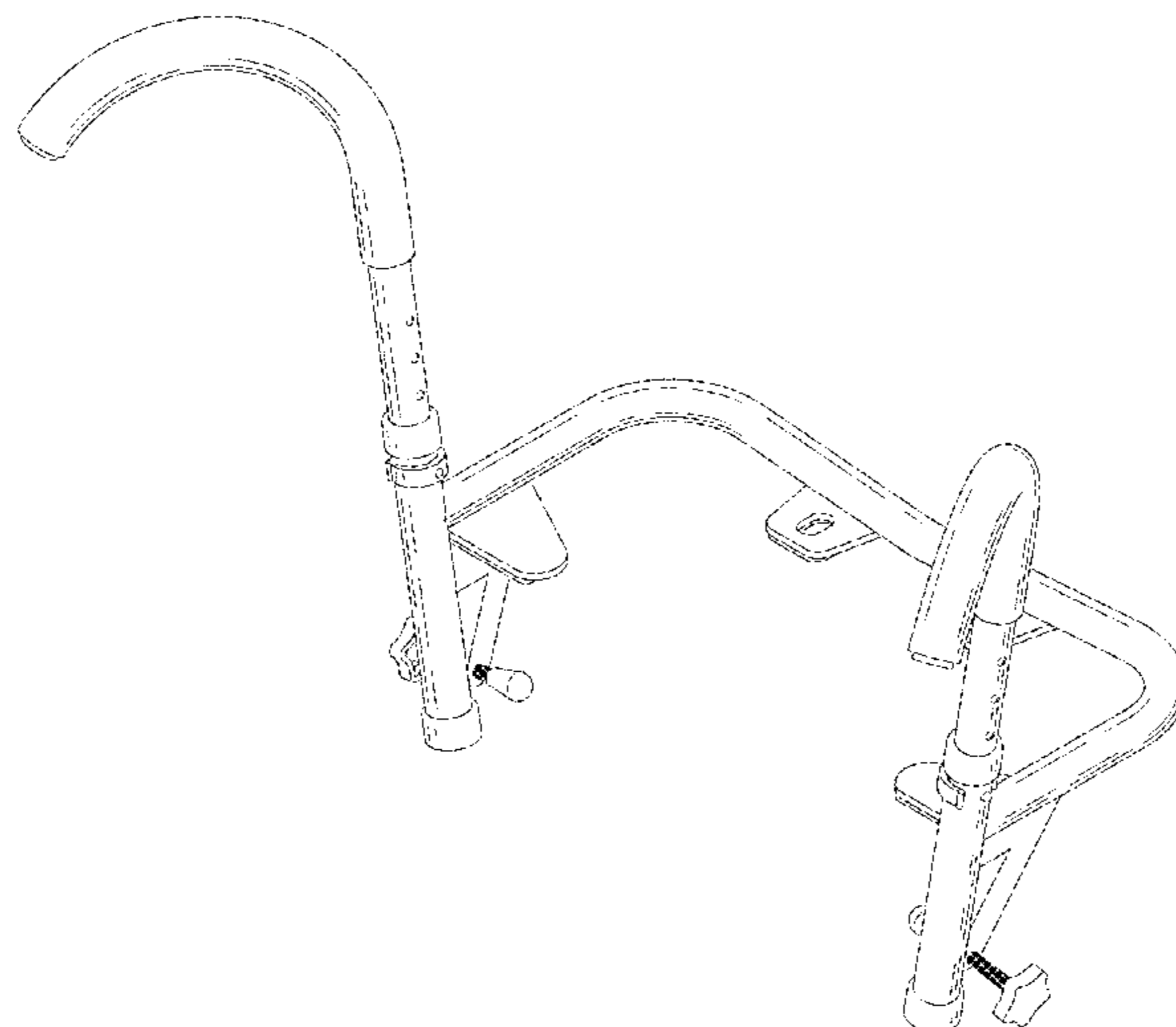
FIG. 1 is a front perspective view of the present design. FIG. 2 is a front view of the toilet riser support shown in FIG. 1. FIG. 3 is a rear view of the toilet riser support shown in FIG. 1. FIG. 4 is a left side view of the toilet riser support shown in FIG. 1. FIG. 5 is a right side view of the toilet riser support shown in FIG. 1. FIG. 6 is top view of the toilet riser support shown in FIG. 1. FIG. 7 is a bottom view of the toilet riser support shown in FIG. 1; and, FIG. 8 is a front perspective view of the toilet riser support shown in FIG. 1 positioned on a standard toilet. In the drawings, the broken lines depict environmental subject matter only and form no part of the claimed design.

**1 Claim, 8 Drawing Sheets**

(56) **References Cited**

**U.S. PATENT DOCUMENTS**

- D179,394 S \* 12/1956 Mills ..... 4/254
- 3,405,411 A \* 10/1968 Brown ..... A47K 17/02 4/254
- 3,921,236 A \* 11/1975 Klein ..... A47K 17/026 4/254
- 4,144,597 A \* 3/1979 Guenther ..... A47K 17/026 297/411.31
- 4,196,480 A \* 4/1980 Guenther ..... A47K 17/026 297/411.32
- D257,879 S \* 1/1981 Hicks ..... D23/309
- 4,343,052 A \* 8/1982 Guenther ..... A47K 17/026 297/411.23
- 4,685,157 A \* 8/1987 James ..... A47K 17/026 4/254



(56)

**References Cited**

U.S. PATENT DOCUMENTS

D367,251 S \* 2/1996 Ahlberg ..... D12/129  
5,499,645 A \* 3/1996 Baliga ..... A61H 3/00  
135/67

\* cited by examiner

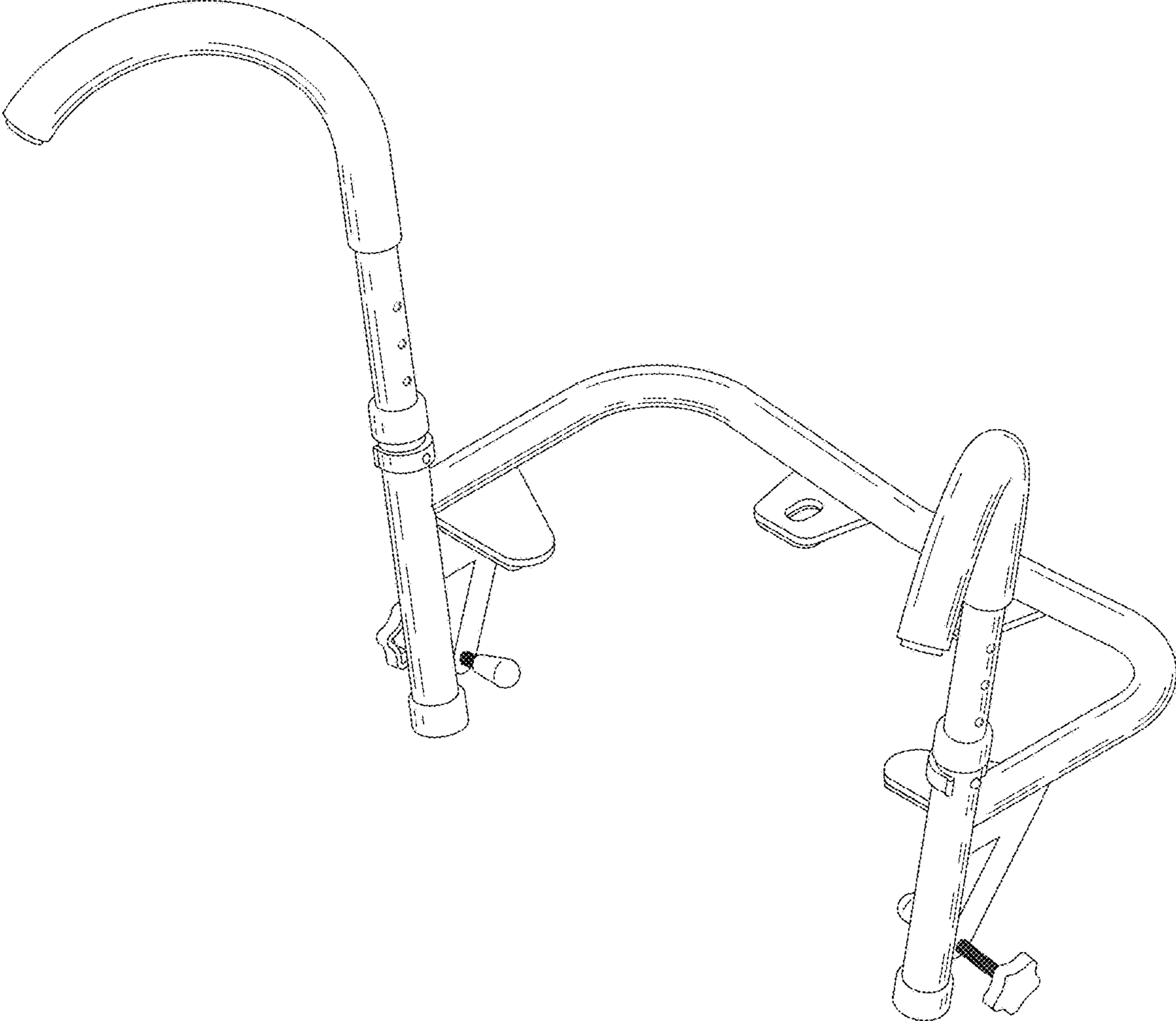


Fig. 1

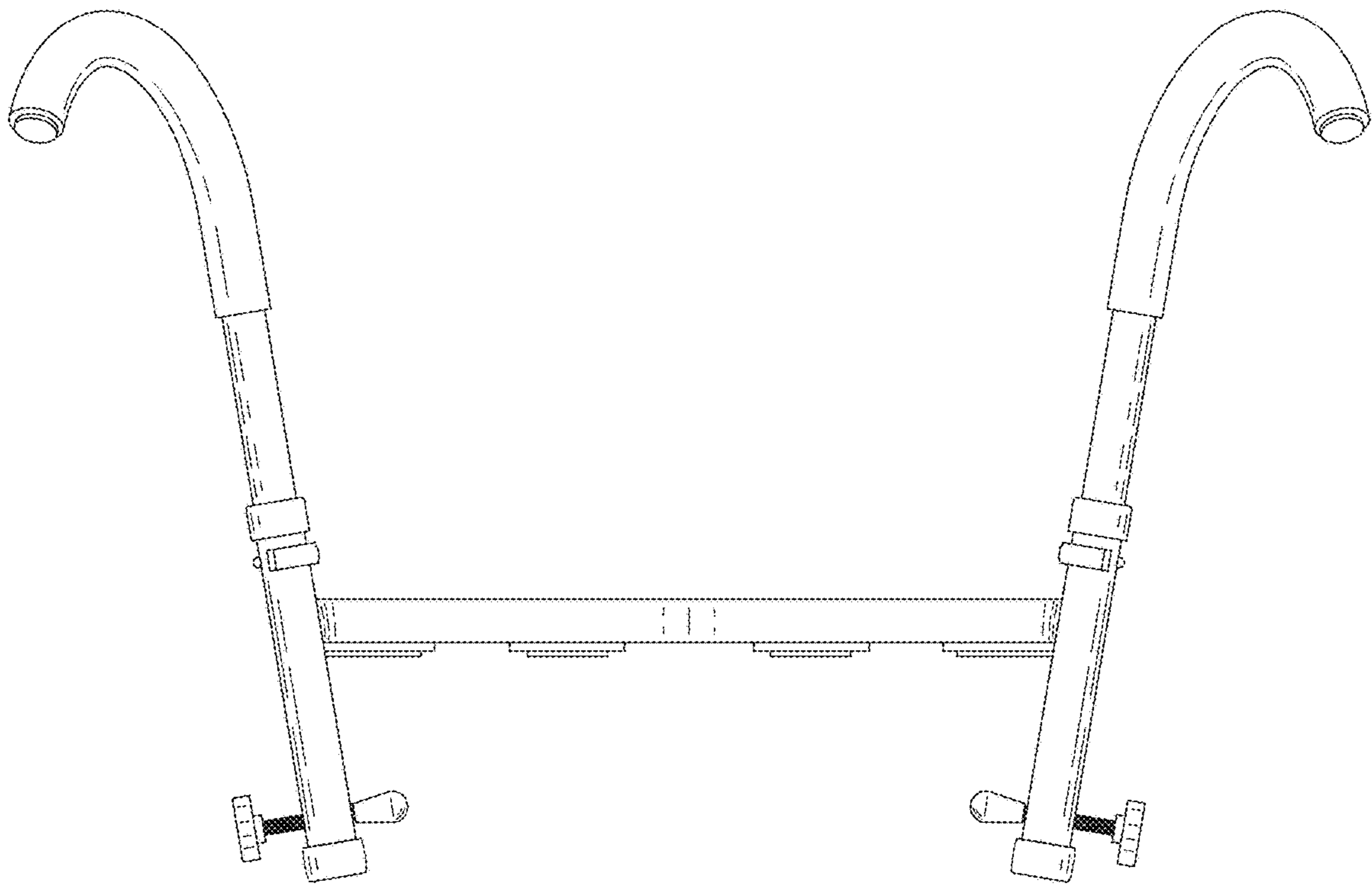


Fig. 2

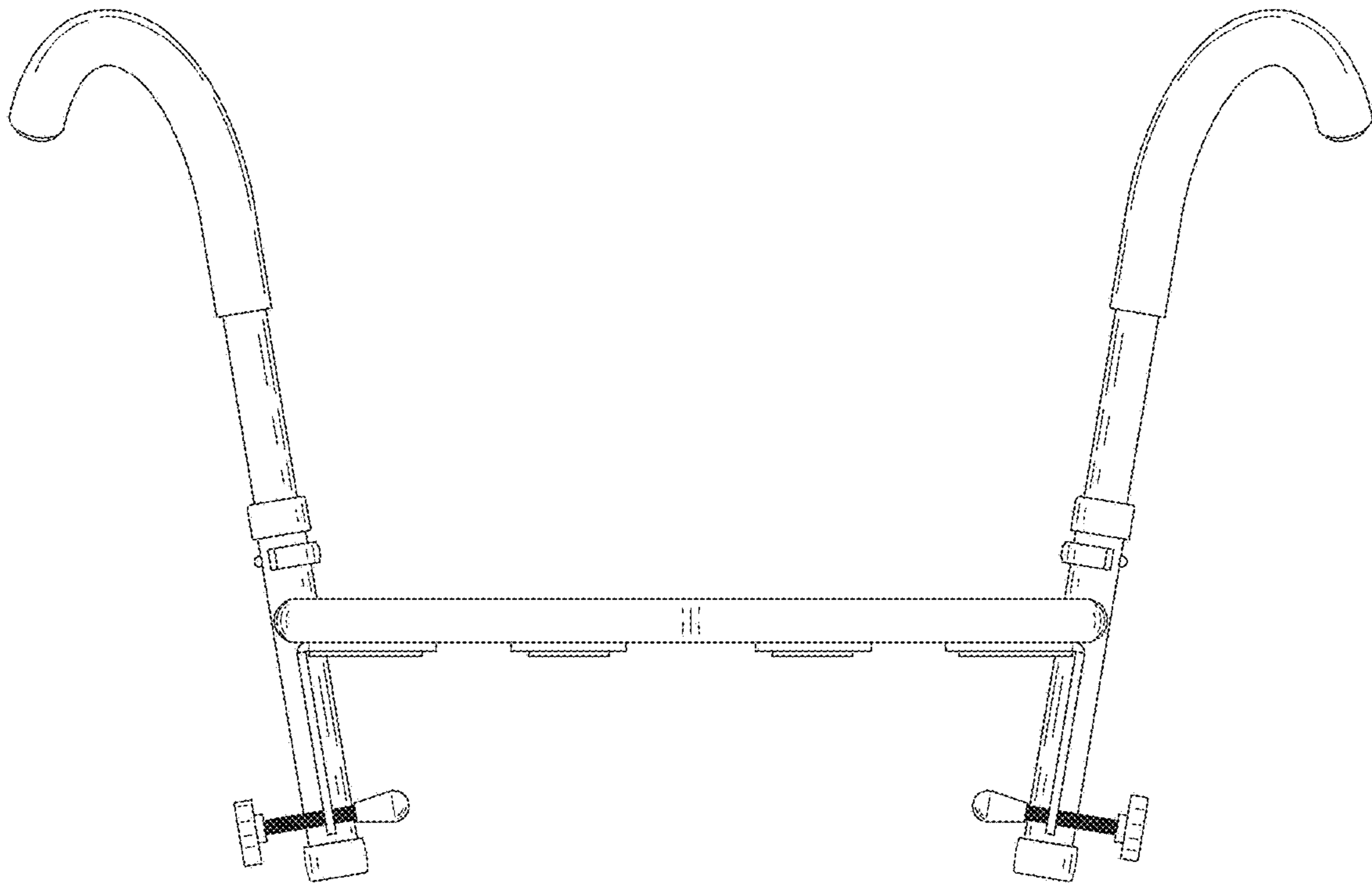


Fig. 3

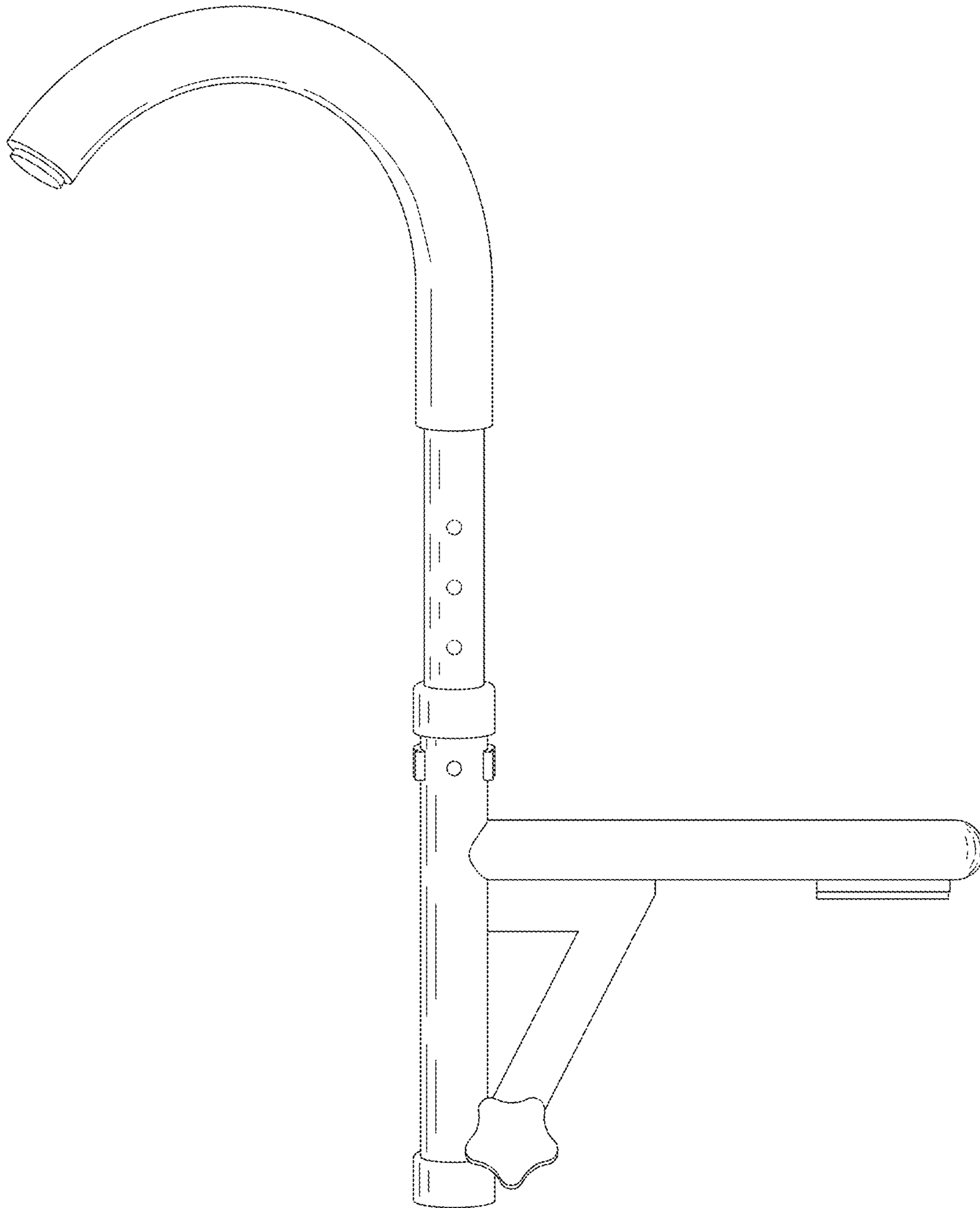


Fig. 4

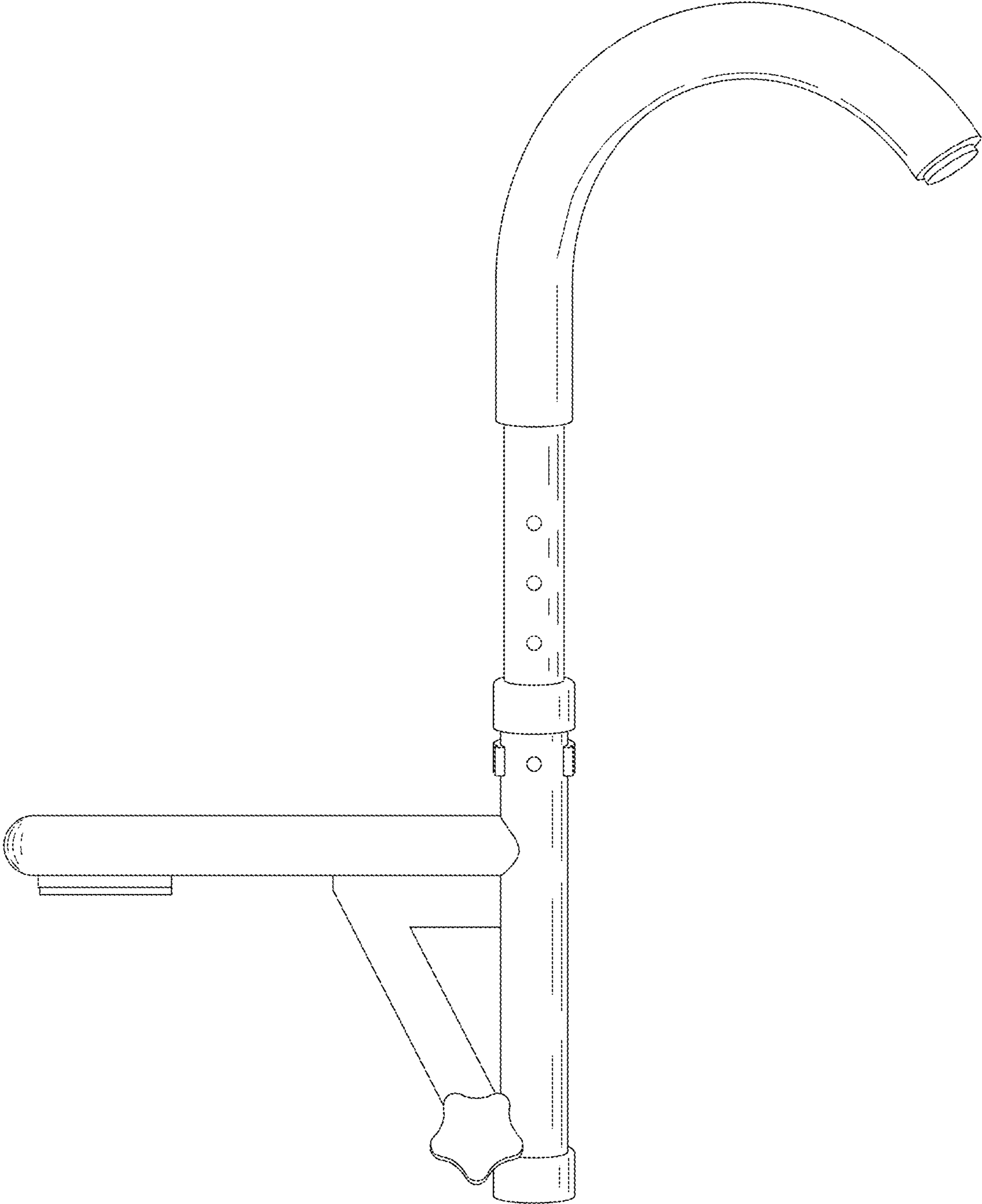


Fig. 5



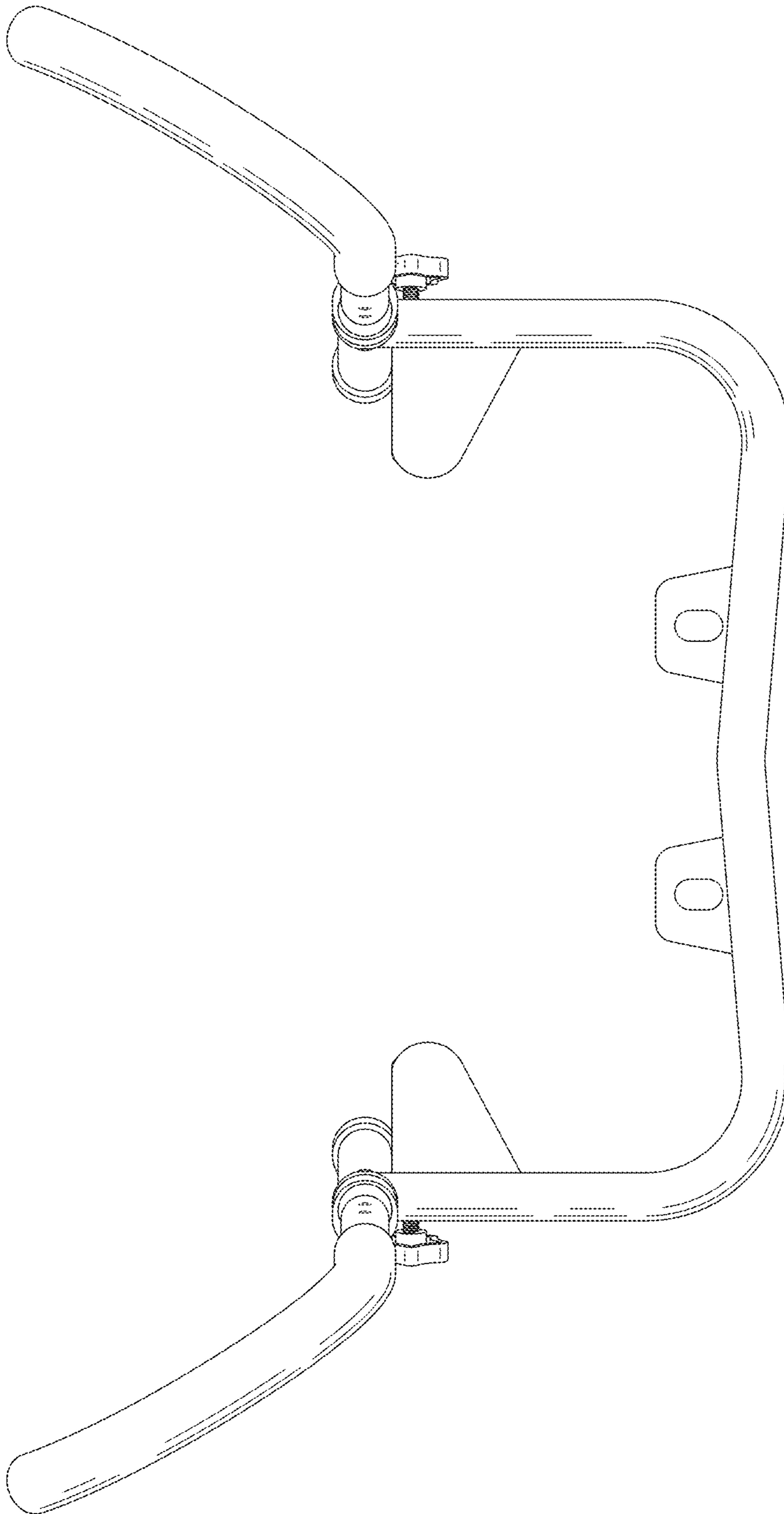


Fig. 6



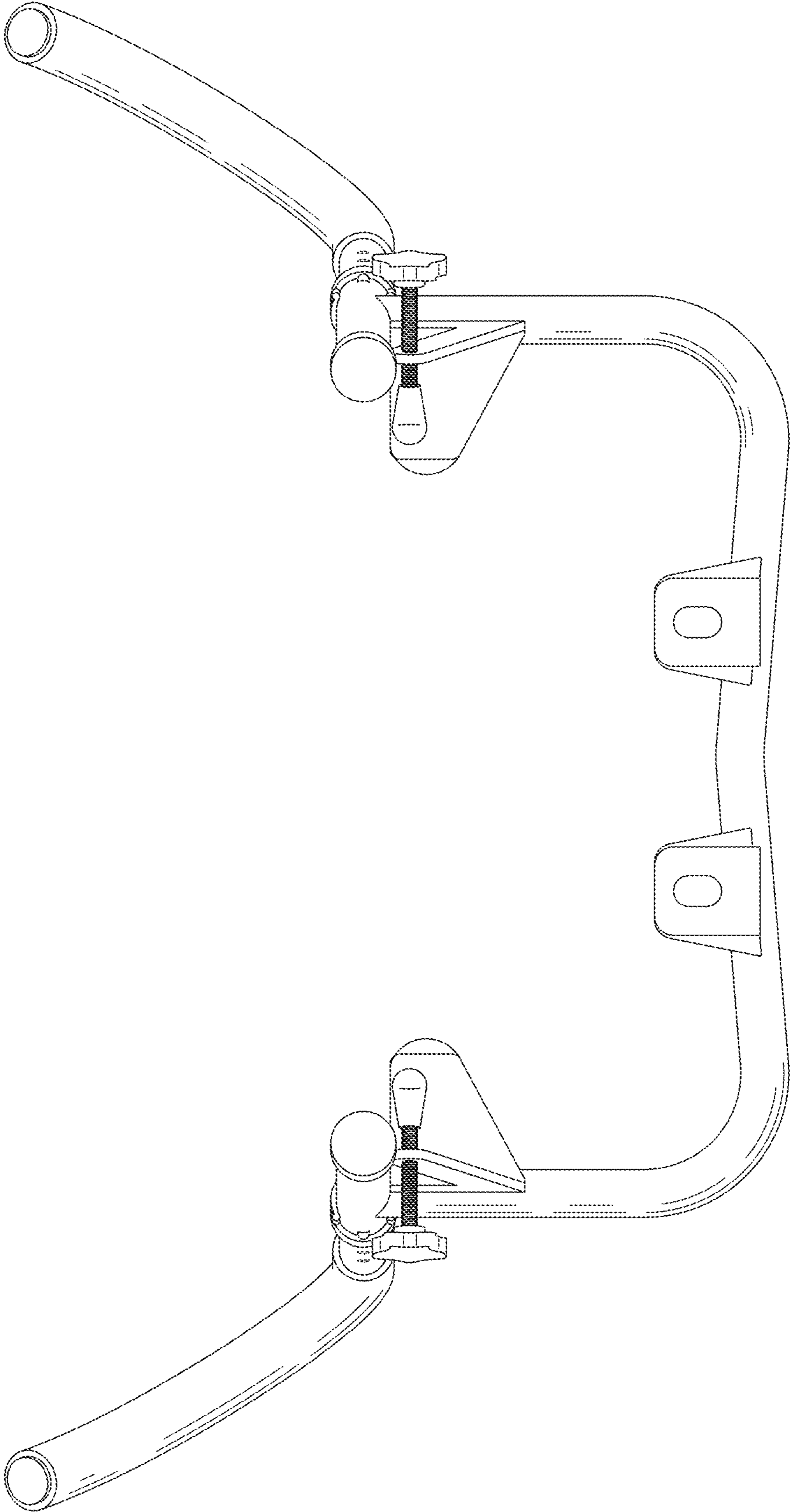


Fig. 7

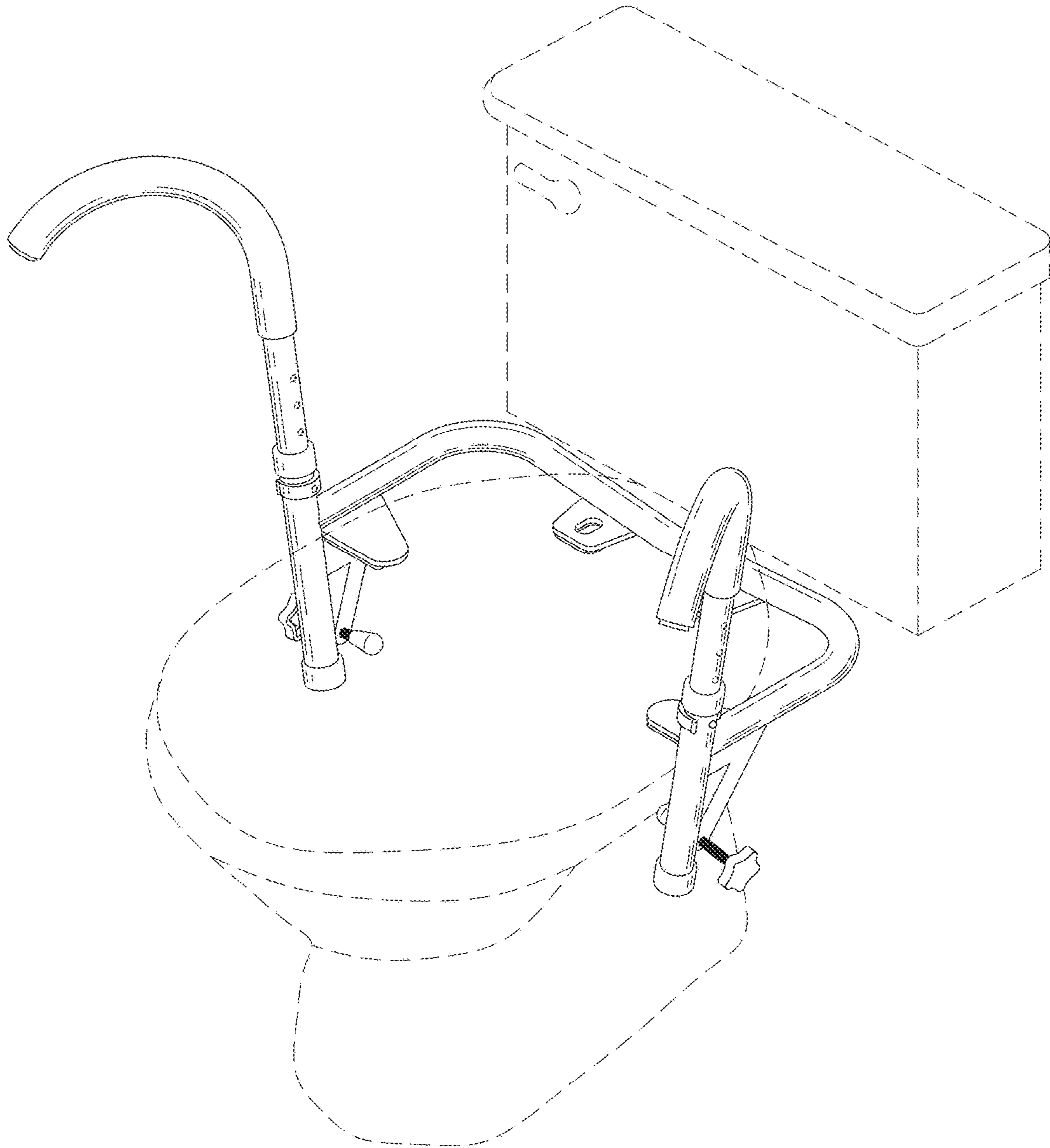


Fig. 8