



US00D803995S

(12) **United States Design Patent** (10) **Patent No.:** **US D803,995 S**
Adams (45) **Date of Patent:** **** *Nov. 28, 2017**

(54) **FASCIA GUTTER**
(71) Applicant: **Mike Adams**, Fullerton, CA (US)
(72) Inventor: **Mike Adams**, Fullerton, CA (US)
(*) Notice: This patent is subject to a terminal disclaimer.
(**) Term: **14 Years**
(21) Appl. No.: **29/526,483**
(22) Filed: **May 9, 2015**
(51) **LOC (10) Cl.** **23-01**
(52) **U.S. Cl.**
USPC **D23/267**
(58) **Field of Classification Search**
USPC D23/259, 261–262, 264–265, 267–269,
D23/393; D25/119–125, 141
CPC ... E04D 13/08; E04D 13/076; E04D 13/0722;
E04D 13/0725; E04D 2013/0833; E04D
2013/082; E04D 2013/0866; E04D
2013/086; E04B 1/3404; E04B 1/7069
See application file for complete search history.

(56) **References Cited**

U.S. PATENT DOCUMENTS

D217,247 S 4/1970 Brown
3,545,144 A 12/1970 Sickler
4,142,370 A * 3/1979 Giordano E04D 13/068
405/119
D268,703 S * 4/1983 Lloyd-Jones D25/55
D276,684 S 12/1984 Sublett
D328,500 S 8/1992 Hardy
5,216,861 A 6/1993 Meyerson
5,345,727 A 9/1994 Mccrea
5,502,939 A 4/1996 Zadok
5,765,328 A 6/1998 Moore
D420,149 S * 2/2000 Hersh D25/119
D425,605 S 5/2000 Palmisano
D450,107 S 11/2001 Van Adrichem
D454,180 S 3/2002 Wessels

D468,445 S * 1/2003 Cormier D25/55
D479,751 S * 9/2003 Schofield D23/267
D486,921 S * 2/2004 Zyburd D25/119
D497,751 S 11/2004 Roberts
6,988,335 B2 1/2006 Eyers
D518,186 S * 3/2006 Zarb D25/119
(Continued)

OTHER PUBLICATIONS

<http://www.coverkits.com/InstallationInstructions/InstructionsUninsulatedNewport.pdf> www.coverkits.com as of Apr. 13, 2015, Publication Date unknown.
(Continued)

Primary Examiner — Eric Goodman
Assistant Examiner — Amy Wierenga
(74) *Attorney, Agent, or Firm* — The Law Offices of Austin Bonderer, PC; Austin Bonderer

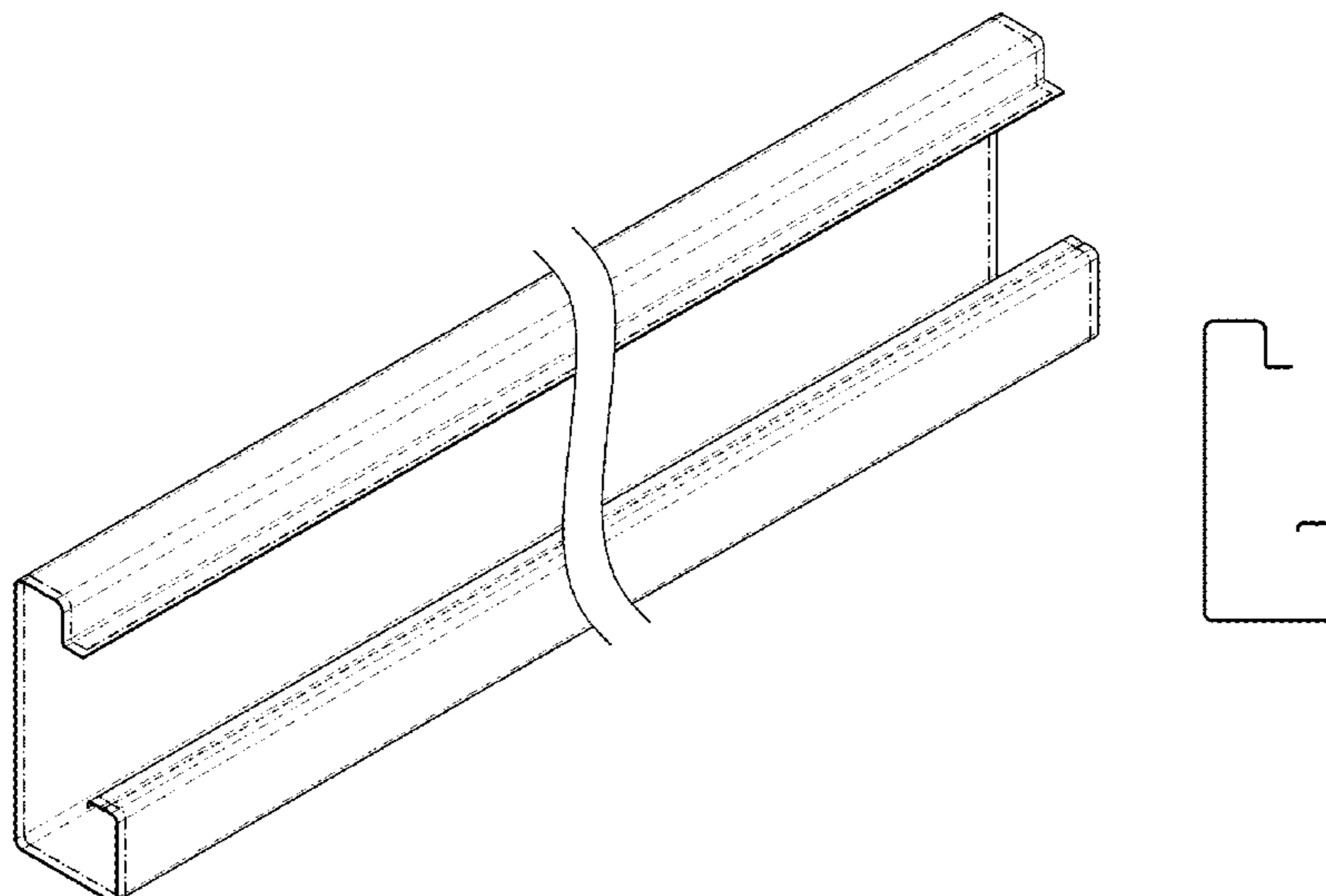
(57) **CLAIM**

The ornamental design for a fascia gutter device, as shown and described.

DESCRIPTION

FIG. 1 is a rear top auxiliary view of the fascia gutter showing my new design;
FIG. 2 is a front bottom auxiliary view thereof;
FIG. 3 is a rear side plan view thereof
FIG. 4 is a front side plan view thereof;
FIG. 5 is a bottom plan view thereof;
FIG. 6 is a top plan view thereof; and,
FIG. 7 is a side plan view thereof.
The dashed broken lines in the drawings depict portions (or contours) of the fascia gutter that form no part of the claim. The dash-dot broken lines define the boundaries of the claim that form no part of the claim.
FIGS. 1-6 are shown with a symbolic break in their length. The appearance of any portion of the article between the break lines form no part of the claimed design.

1 Claim, 4 Drawing Sheets



(56)

References Cited

U.S. PATENT DOCUMENTS

D586,436 S 2/2009 Cangialosi
D586,437 S 2/2009 Cangialosi
D646,763 S * 10/2011 Straughn D23/266
D677,767 S 3/2013 Adams
D679,369 S 4/2013 Adams
D680,200 S 4/2013 Adams
D680,201 S 4/2013 Adams
8,590,211 B1 * 11/2013 Adams E04D 13/064
52/11
8,978,312 B2 * 3/2015 Chin-Yee E04D 13/064
52/11
9,115,496 B2 * 8/2015 Adams E04D 13/158
D745,643 S * 12/2015 Rowton D23/267
D749,775 S * 2/2016 Provitola D26/118
2004/0163330 A1 8/2004 Crum
2009/0266018 A1 10/2009 Stockton
2013/0276380 A1 * 10/2013 Adams E04D 13/158
52/12

OTHER PUBLICATIONS

http://www.alumashade.com/docs/2013_Solid_Instructions.pdf
www.alumashade.com as of Apr. 13, 2015, Publication Date
unknown.
Amerimax Building Products, Inc—Amerimax Building Products
Patio Cover, Carport and Commercial Structure Engineering, Date
Unknown, but at least Jun. 2010.

* cited by examiner

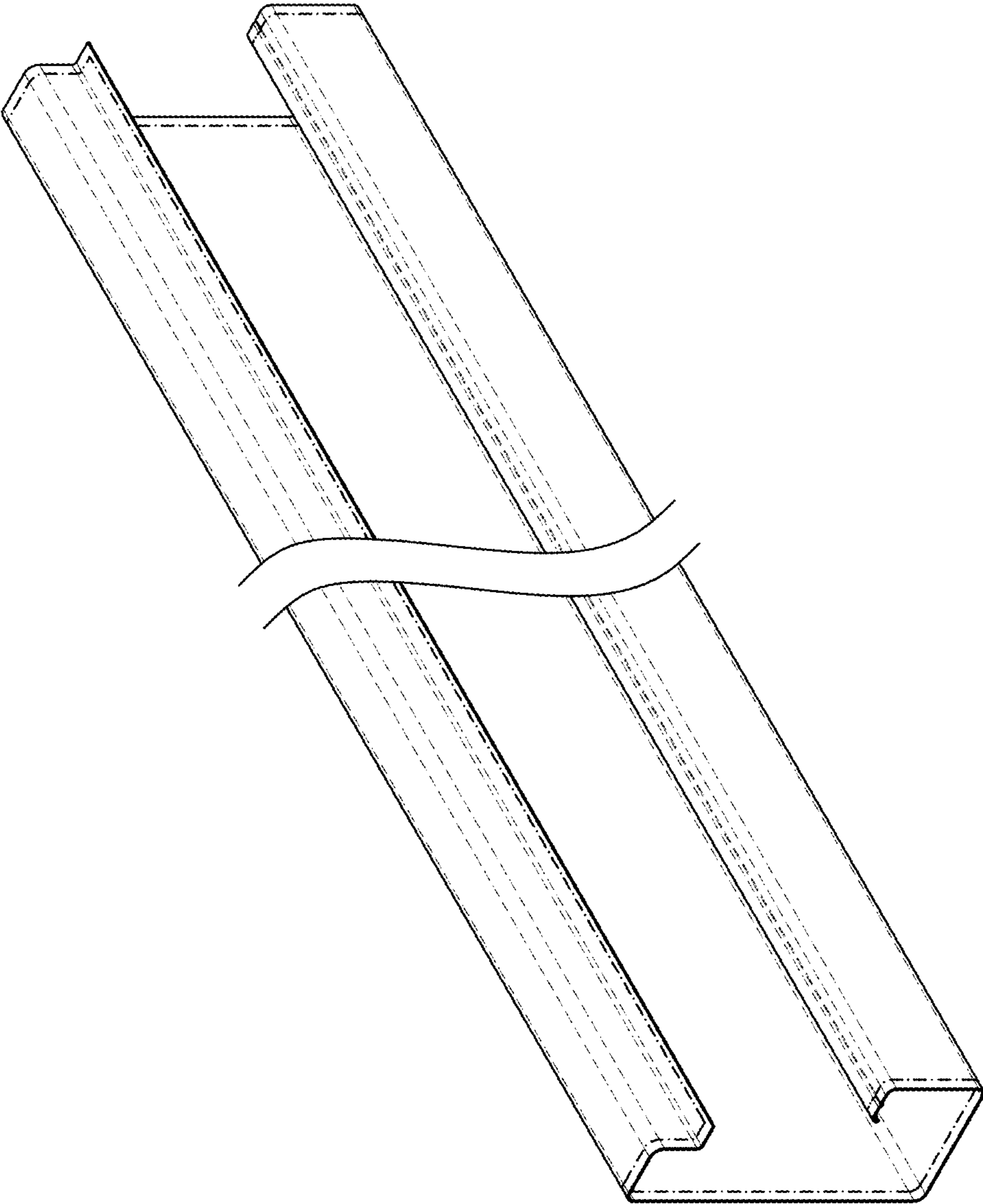


FIG. 1

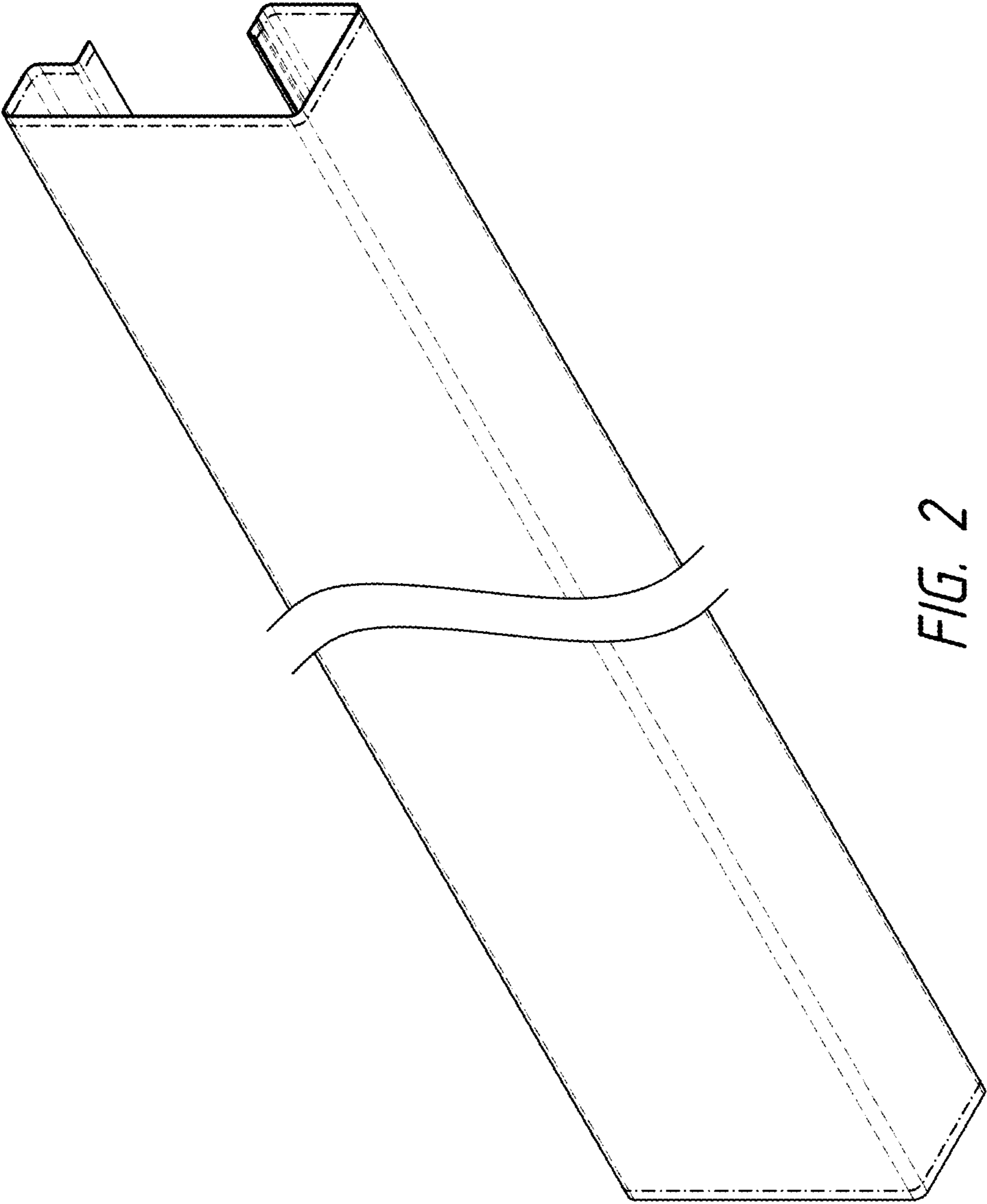


FIG. 2

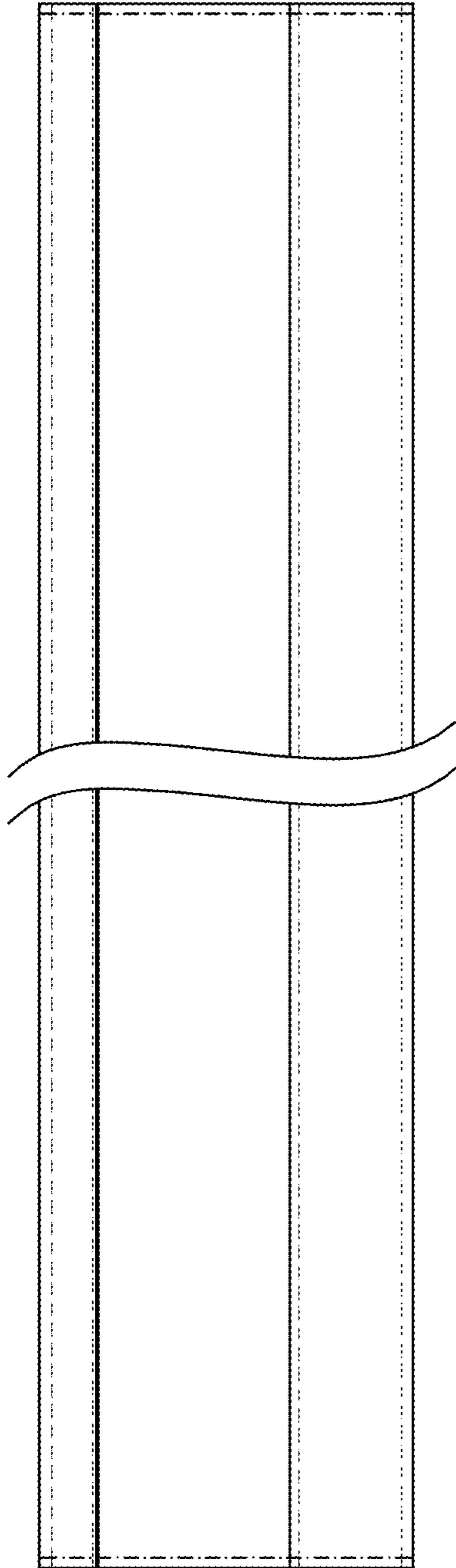


FIG. 3

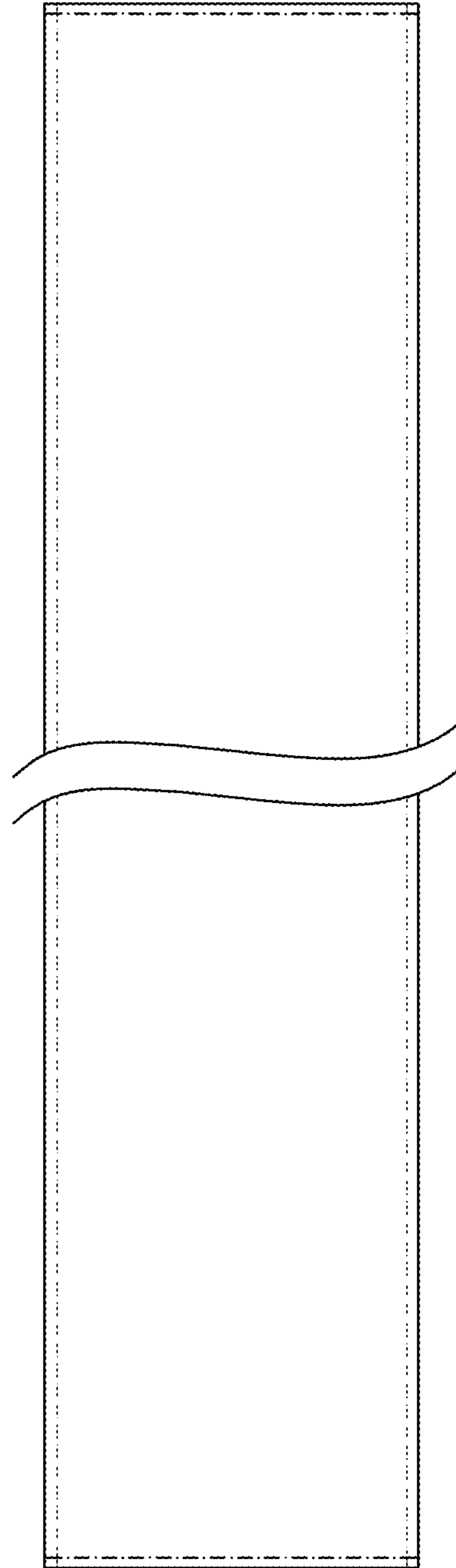


FIG. 4

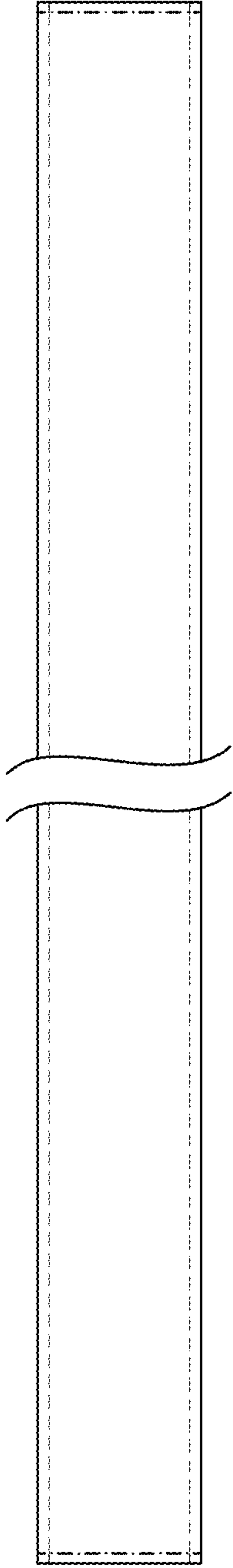


FIG. 5

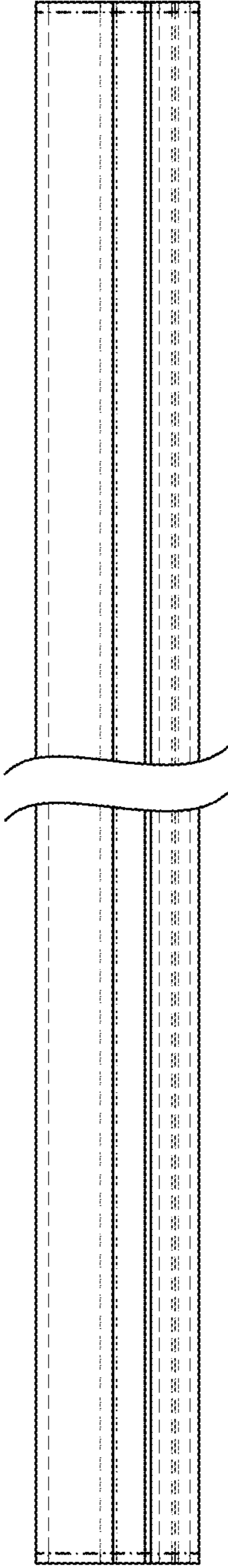


FIG. 6



FIG. 7