



US00D803994S

(12) **United States Design Patent** (10) **Patent No.:** **US D803,994 S**
Sekine (45) **Date of Patent:** **** Nov. 28, 2017**

(54) **JOINT FOR PIPES**
 (71) Applicant: **MEIWA KOGYO CO., LTD.**, Niigata (JP)
 (72) Inventor: **Shigeaki Sekine**, Niigata (JP)

D617,428 S * 6/2010 Bachmann D23/262
 D709,994 S * 7/2014 King F16L 21/035
 D727,470 S * 4/2015 Agar D23/262
 D733,846 S * 7/2015 Guest D23/262
 D746,950 S * 1/2016 Castrigno D23/259
 D773,621 S * 12/2016 Gill D23/259

(**) Term: **15 Years**

FOREIGN PATENT DOCUMENTS

(21) Appl. No.: **35/500,889**

JP 1189199 S 11/2003

(22) Filed: **Oct. 30, 2015**

* cited by examiner

(80) **Hague Agreement Data**

Primary Examiner — Darlington Ly

Int. Filing Date: **Oct. 30, 2015**
 Int. Reg. No.: **DM/088417**
 Int. Reg. Date: **Oct. 30, 2015**
 Int. Reg. Pub. Date: **May 6, 2016**

(57) **CLAIM**

The ornamental design for a joint for pipes, as shown and described.

(51) **LOC (10) Cl.** **23-01**

(52) **U.S. Cl.**
 USPC **D23/262**

(58) **Field of Classification Search**
 USPC D8/382; D23/259, 233–237, 262, 265, D23/266, 269
 CPC . F16L 15/02; F16L 15/04; F16L 15/06; F16L 15/08; F16L 17/025; F16L 17/035; F16L 17/04; F16L 23/00; F16L 23/12; F16L 23/16; F16L 23/18; F16L 23/036; F02F 11/00

DESCRIPTION

See application file for complete search history.

1. Joint for pipes
1.1 is a top, front and right perspective view of a joint for pipes showing my new design;
1.2 is a front elevation view thereof;
1.3 is a rear elevation view thereof;
1.4 is a right side elevation view thereof;
1.5 is a left side elevation view thereof;
1.6 is a top plan view thereof;
1.7 is a bottom plan view thereof; and
1.8 is a cross-sectional view as taken along cut line **1.8-1.8** in **1.6**.
1.9 is a top, front and right perspective view of the insert component being isolated;
1.10 is a front elevation view thereof;
1.11 is a rear elevation view thereof;
1.12 is a right side elevation view thereof;
1.13 is a left side elevation view thereof;
1.14 is a top plan view thereof; and
1.15 is a bottom plan view thereof.

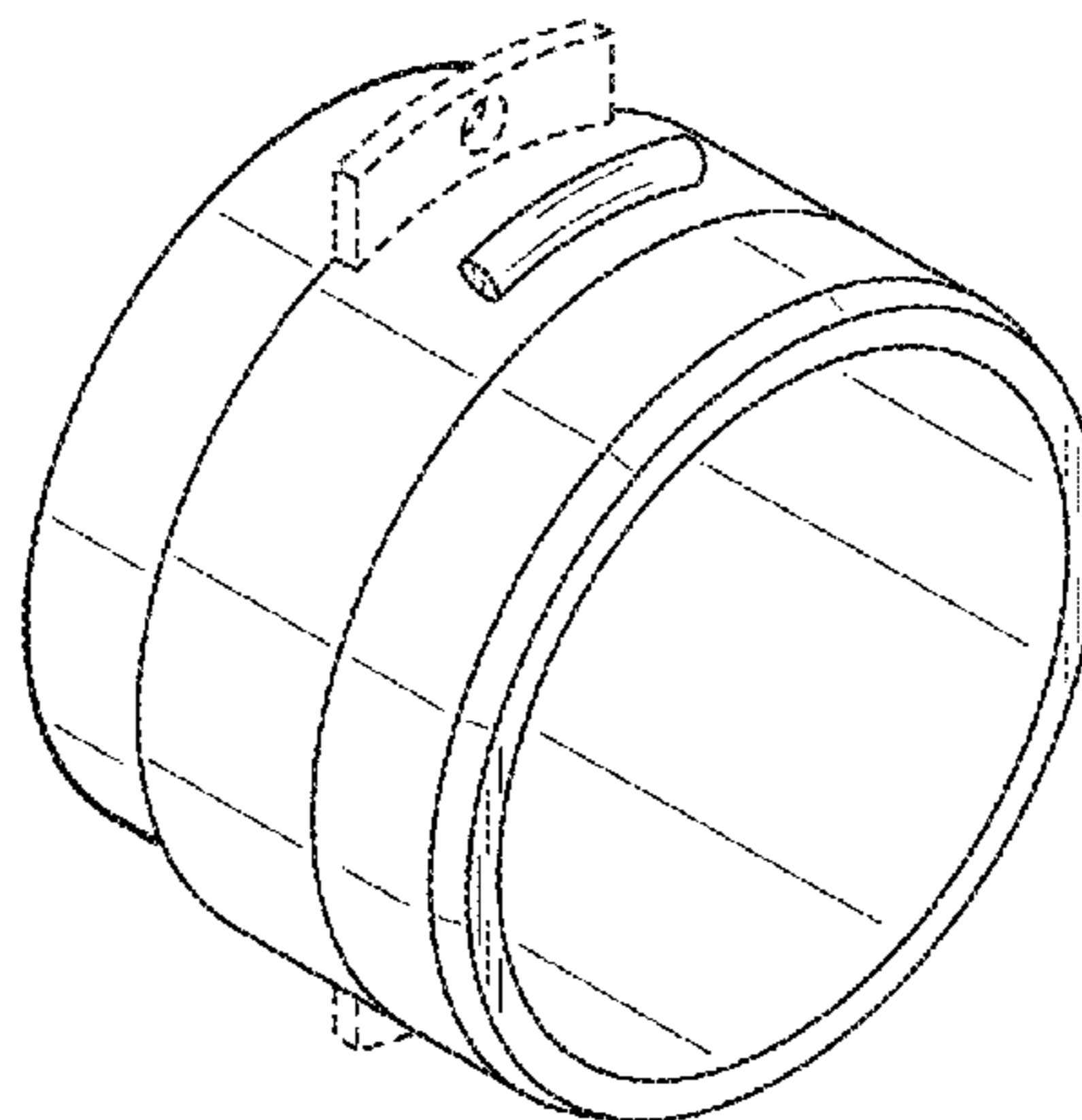
The broken lines shown in **1.1-1.15** are included for the purpose of illustrating the environmental structure and form no part of the claimed design.

(56) **References Cited**

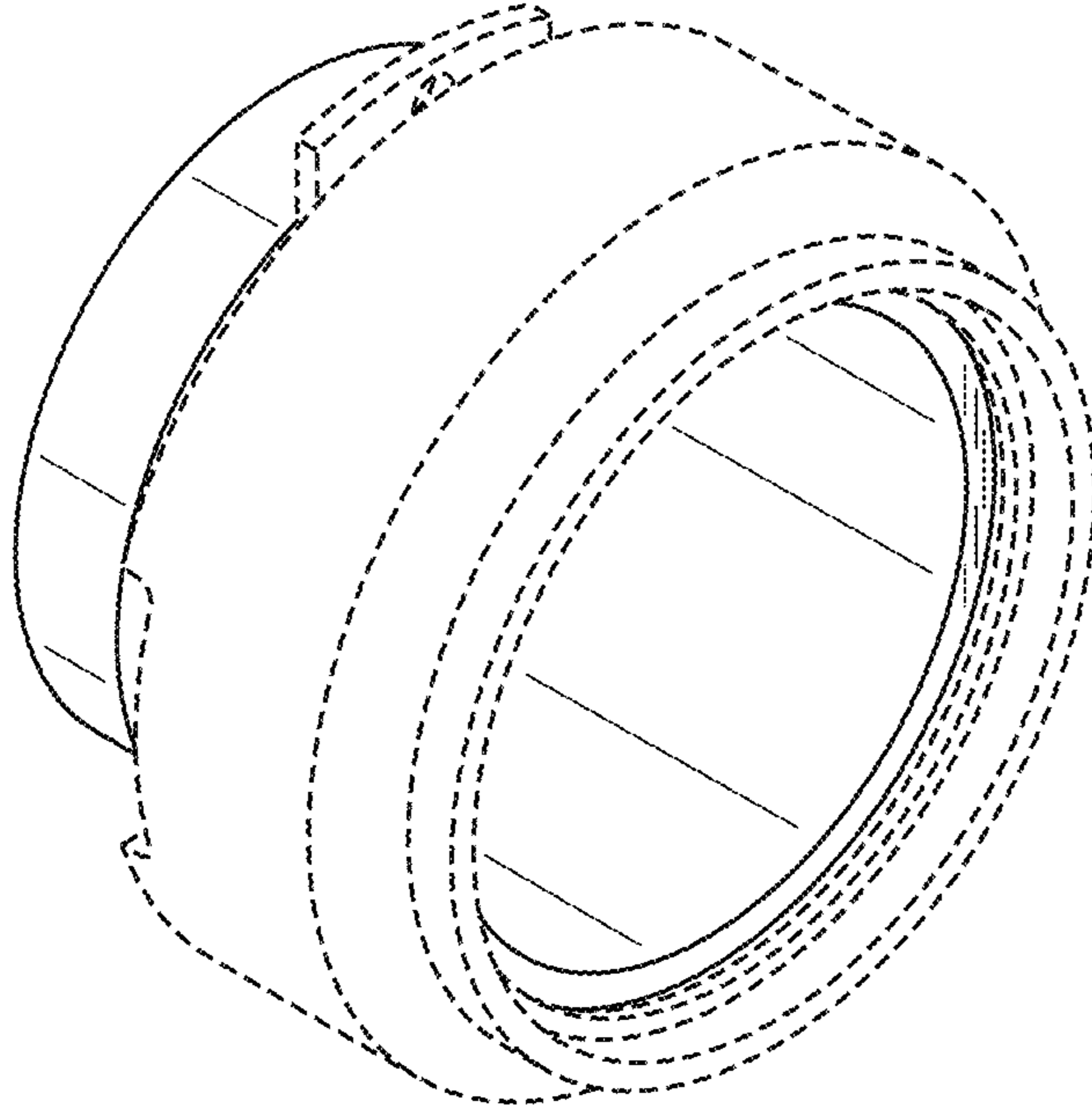
U.S. PATENT DOCUMENTS

D291,482 S * 8/1987 Vassallo D23/262
 D293,600 S * 1/1988 Hunt D23/264
 D325,775 S * 4/1992 Hayes
 D392,372 S * 3/1998 Saito D23/262
 D453,816 S * 2/2002 Sato D23/262
 D454,623 S * 3/2002 Sato D23/262
 D473,633 S * 4/2003 Chun-Lee D23/262
 D481,108 S * 10/2003 Horikawa D23/263
 D489,434 S * 5/2004 Horikawa D23/263
 D583,026 S * 12/2008 Dirneder D23/262

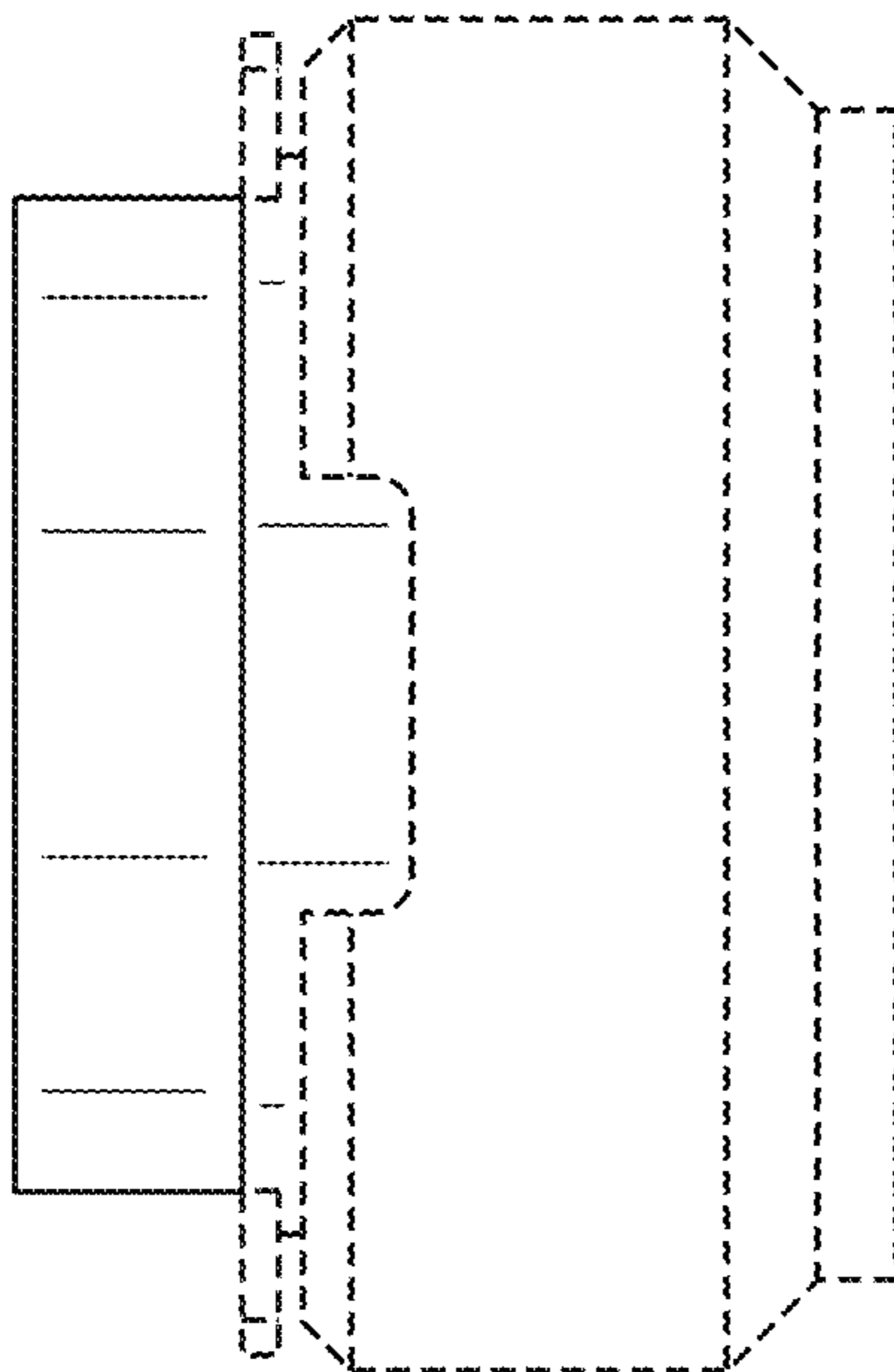
1 Claim, 8 Drawing Sheets



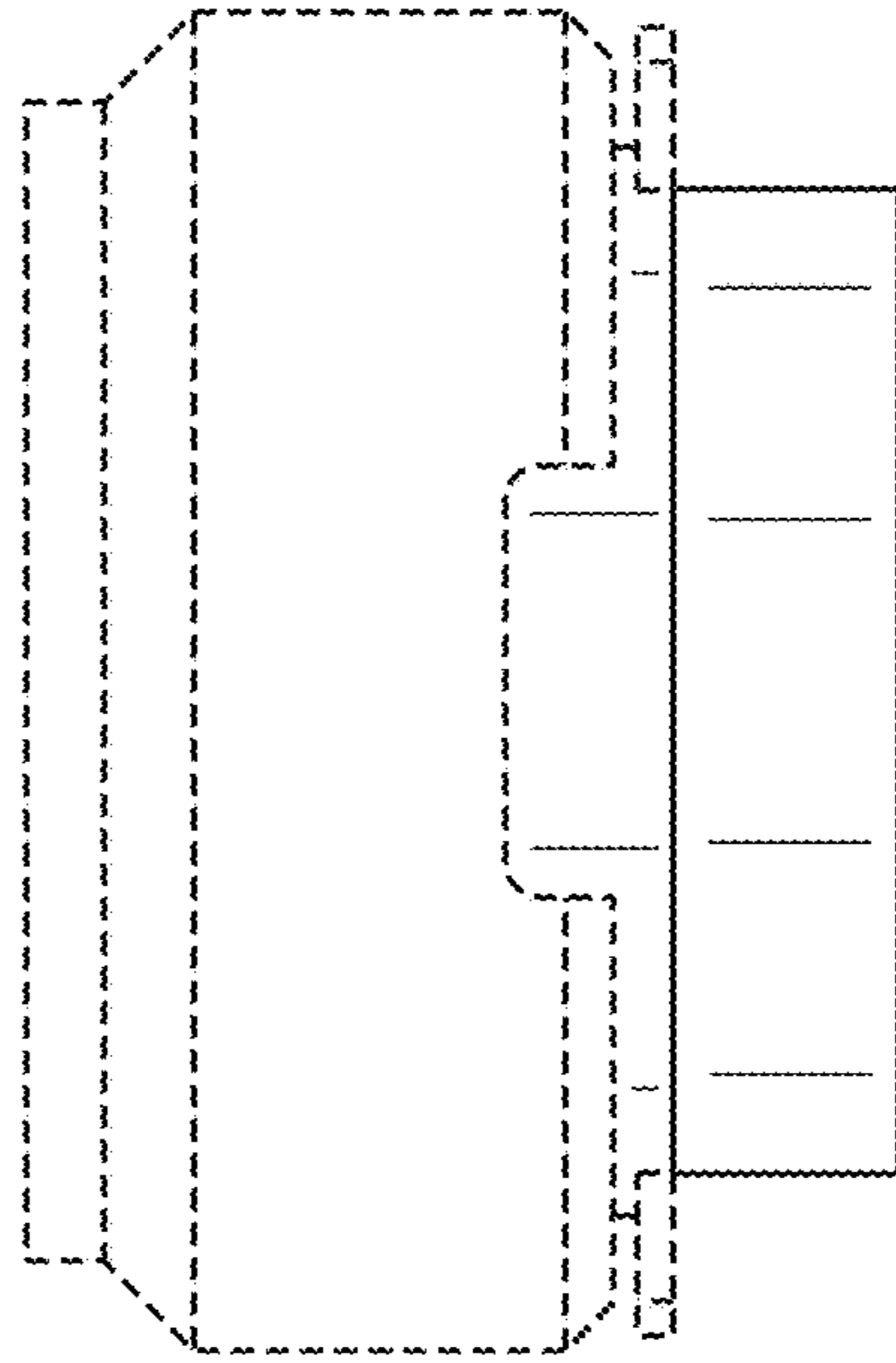
1 . 1



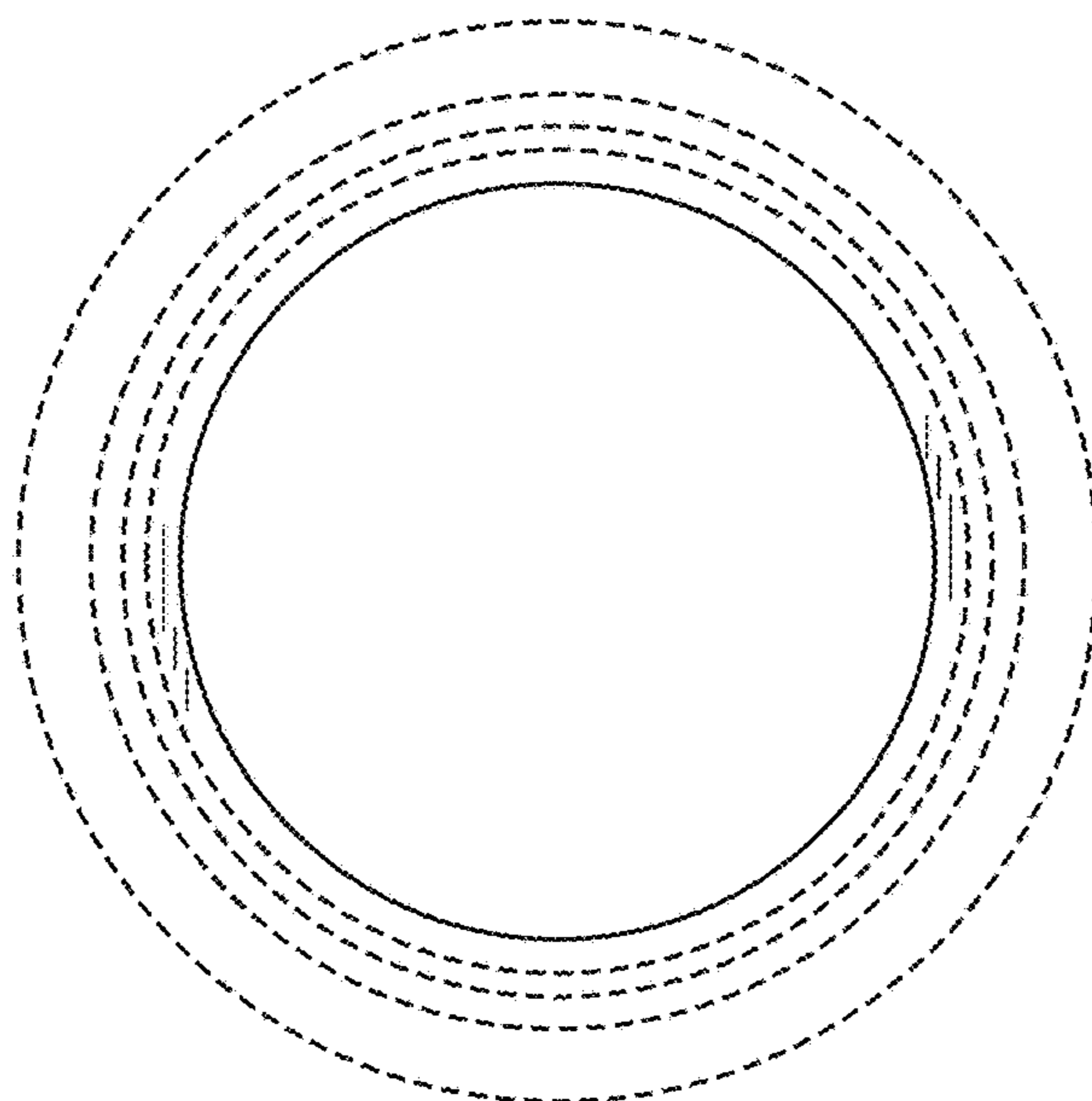
1 . 2



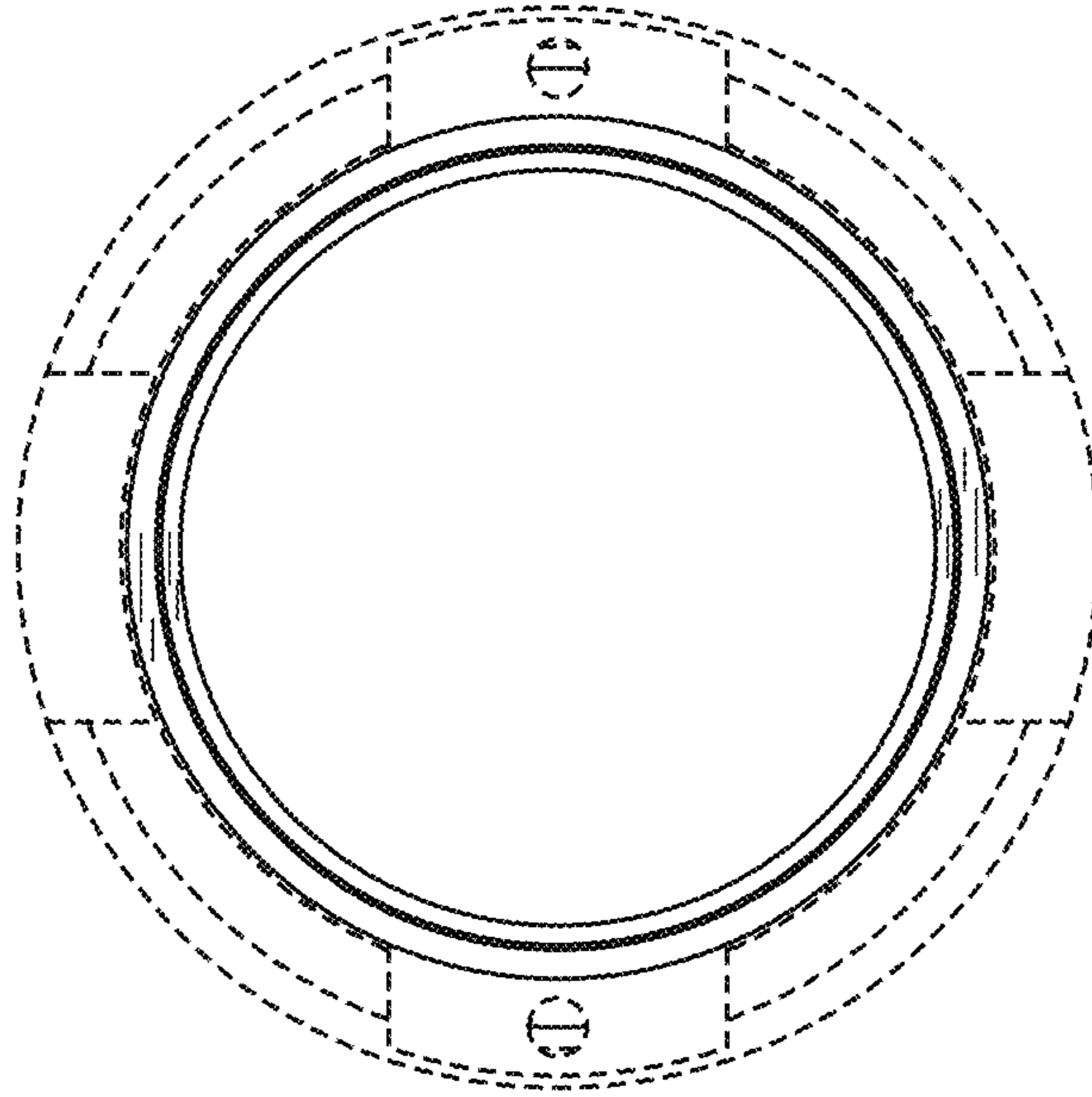
1 . 3



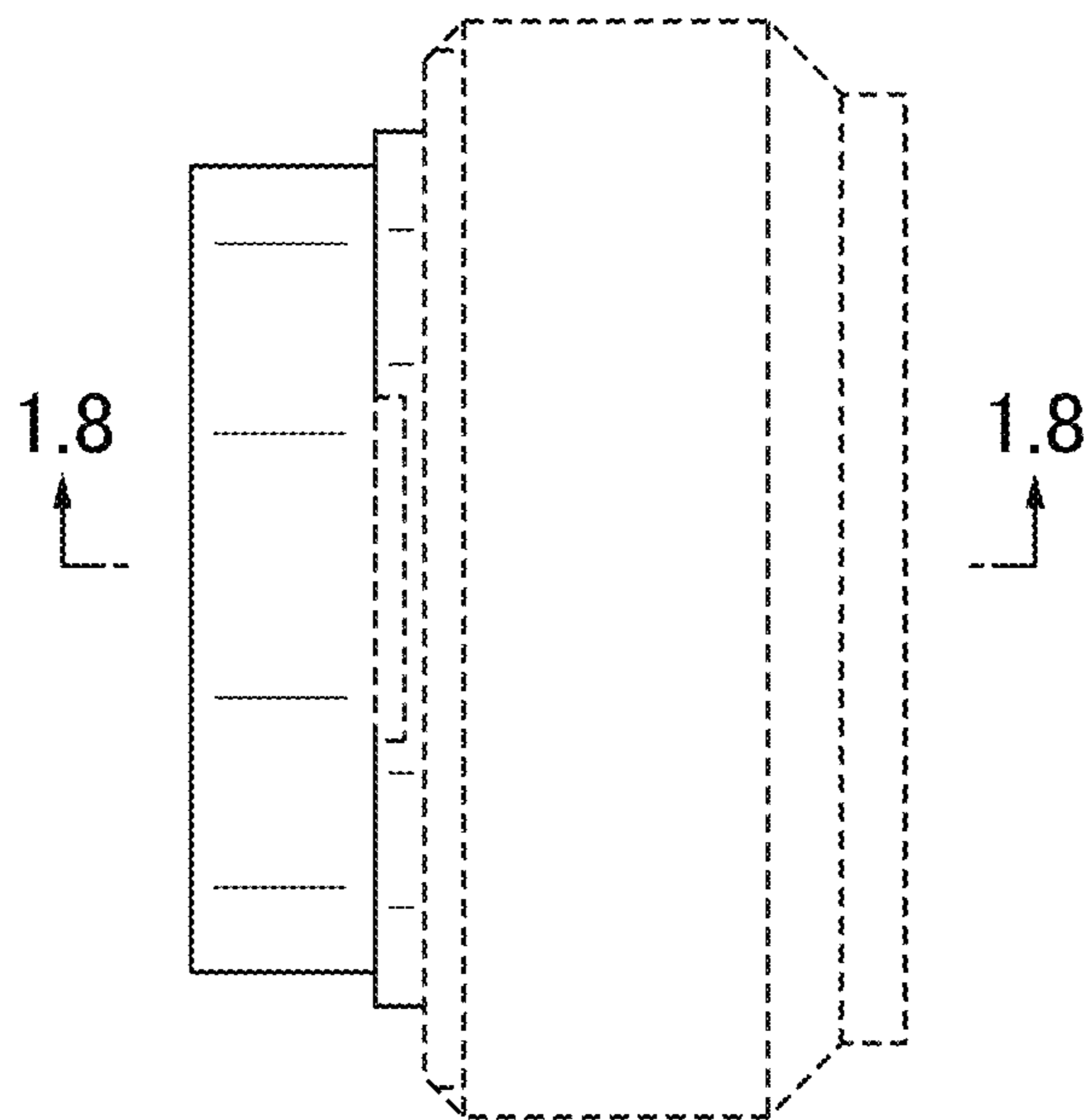
1 . 4



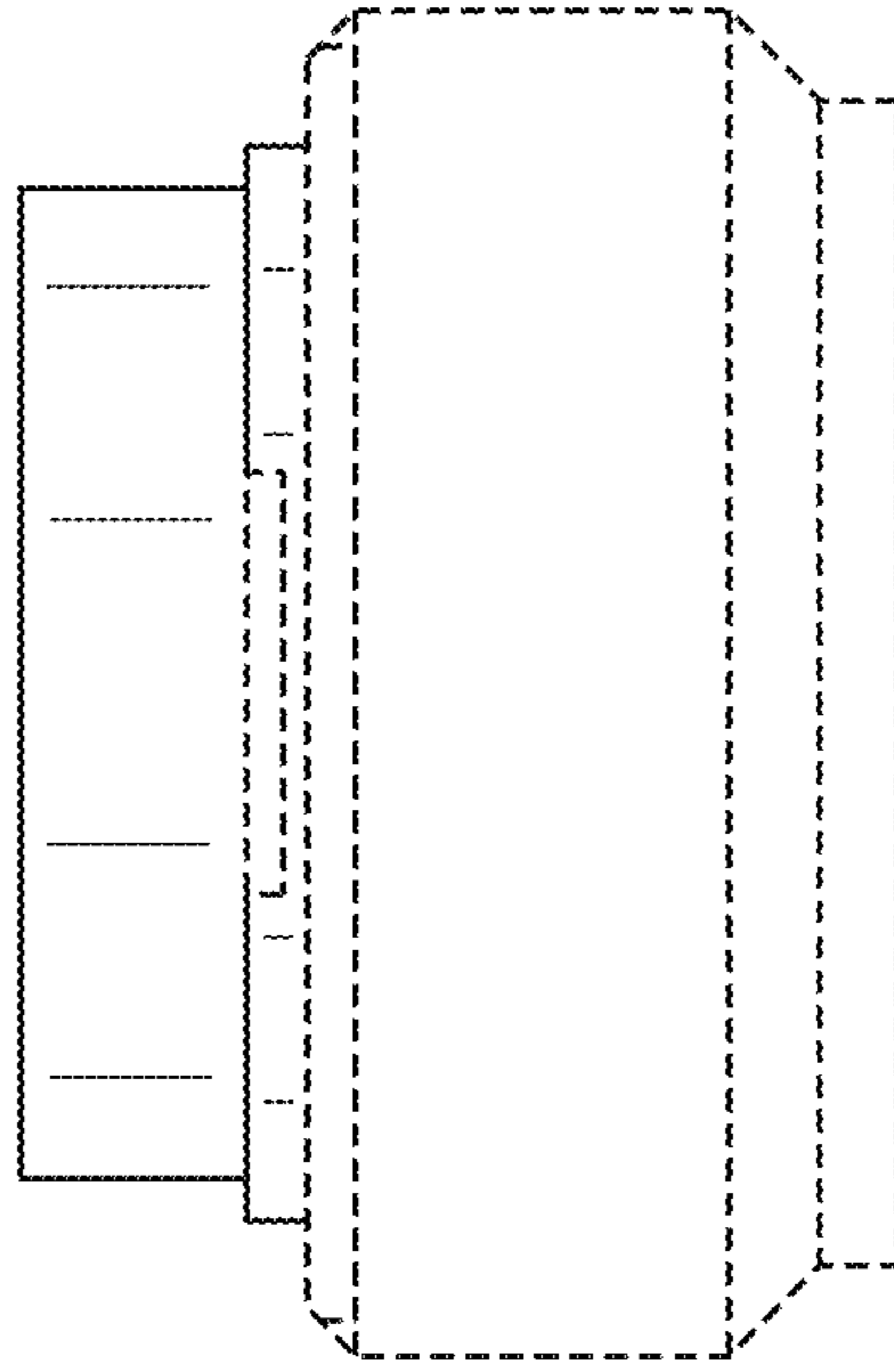
1.5



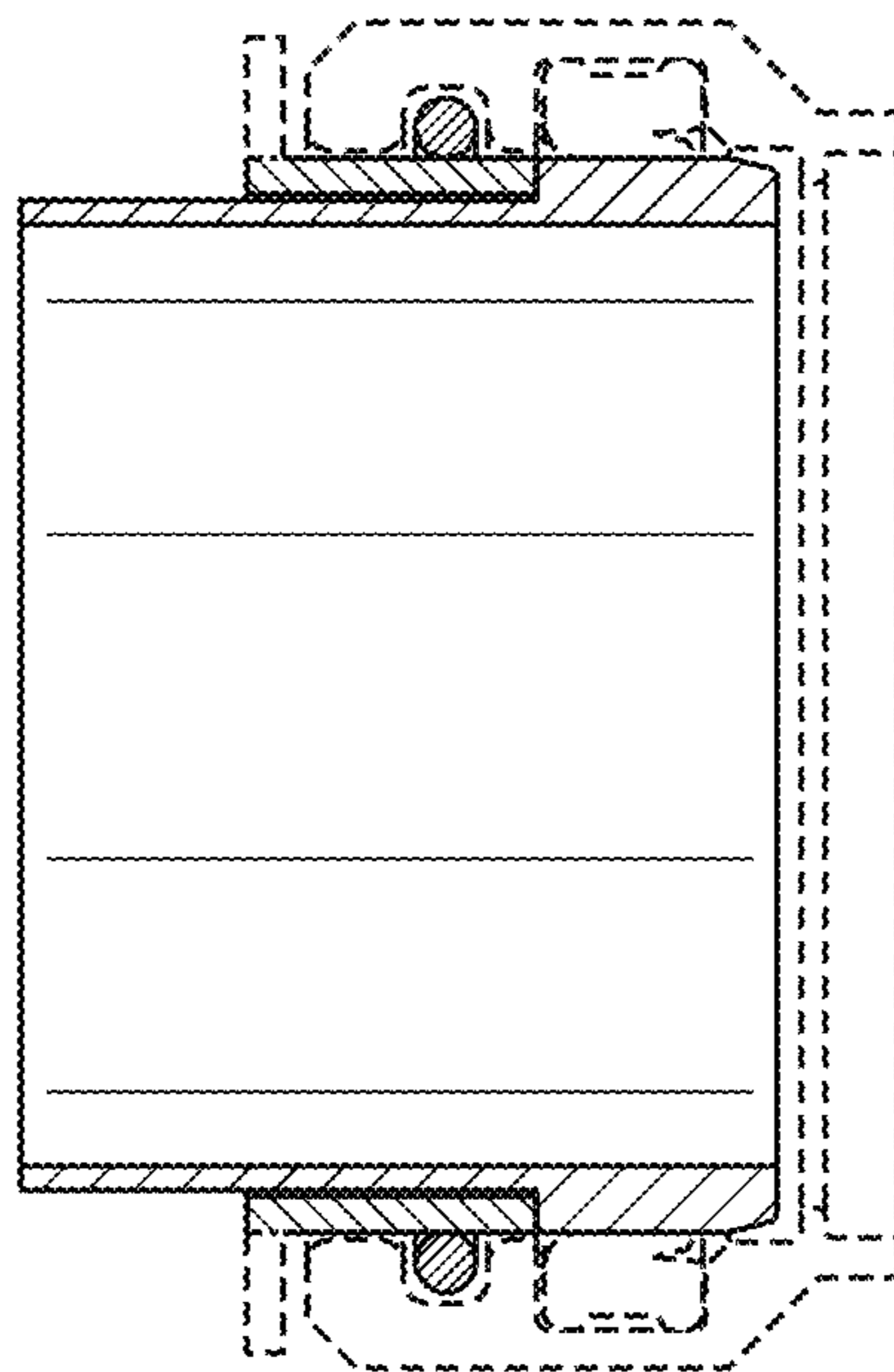
1.6



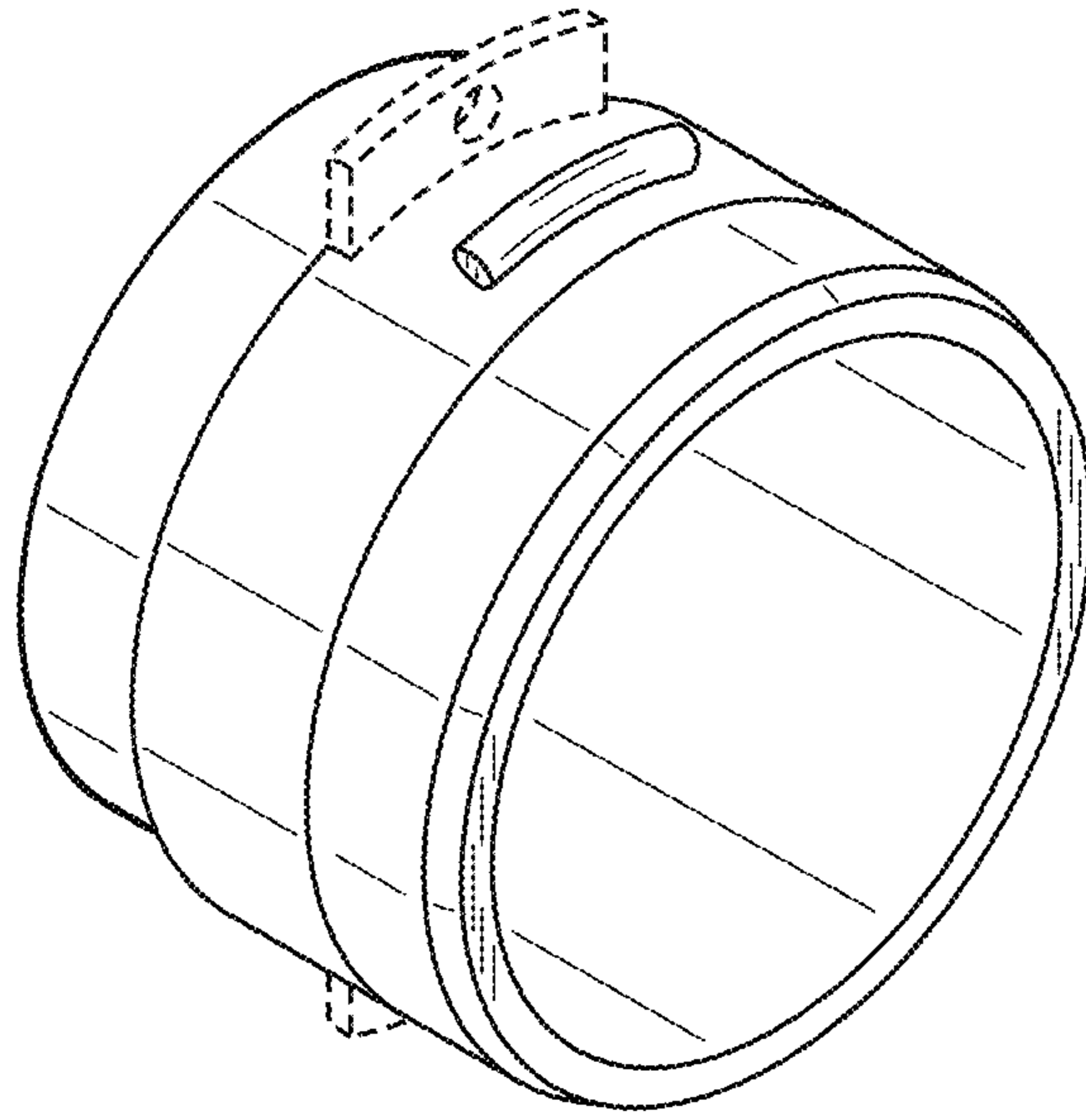
1 . 7



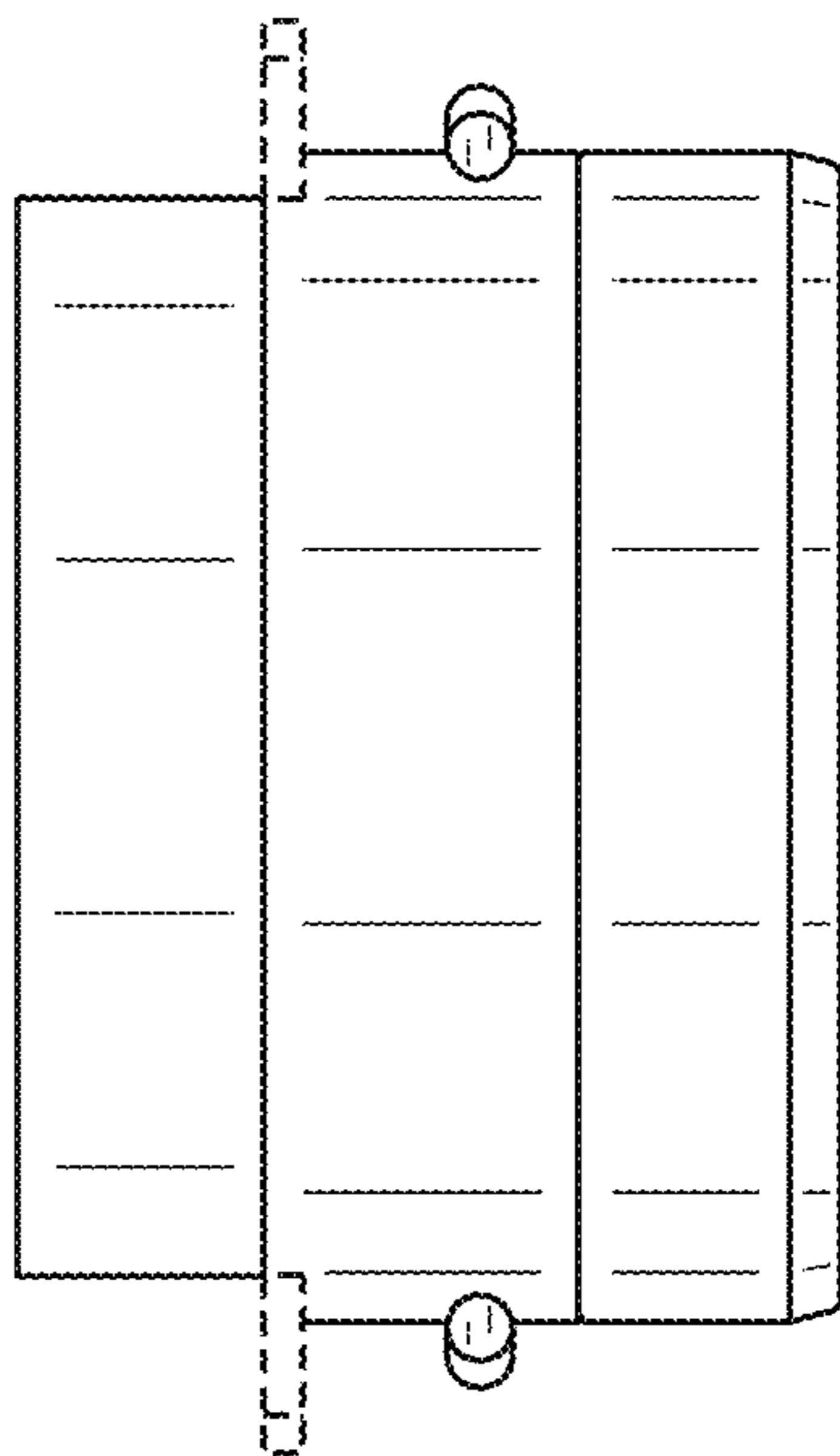
1 . 8



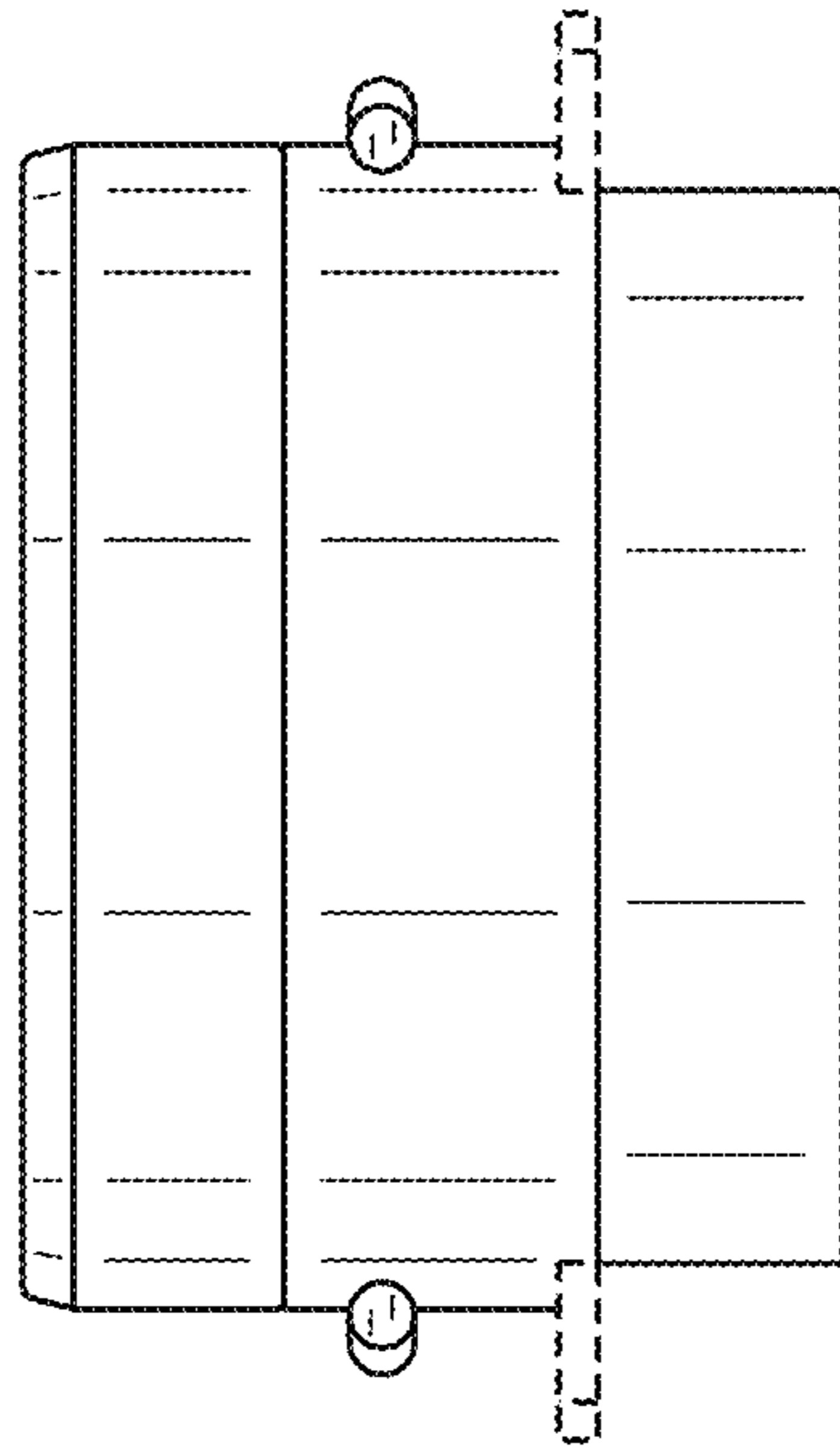
1 . 9



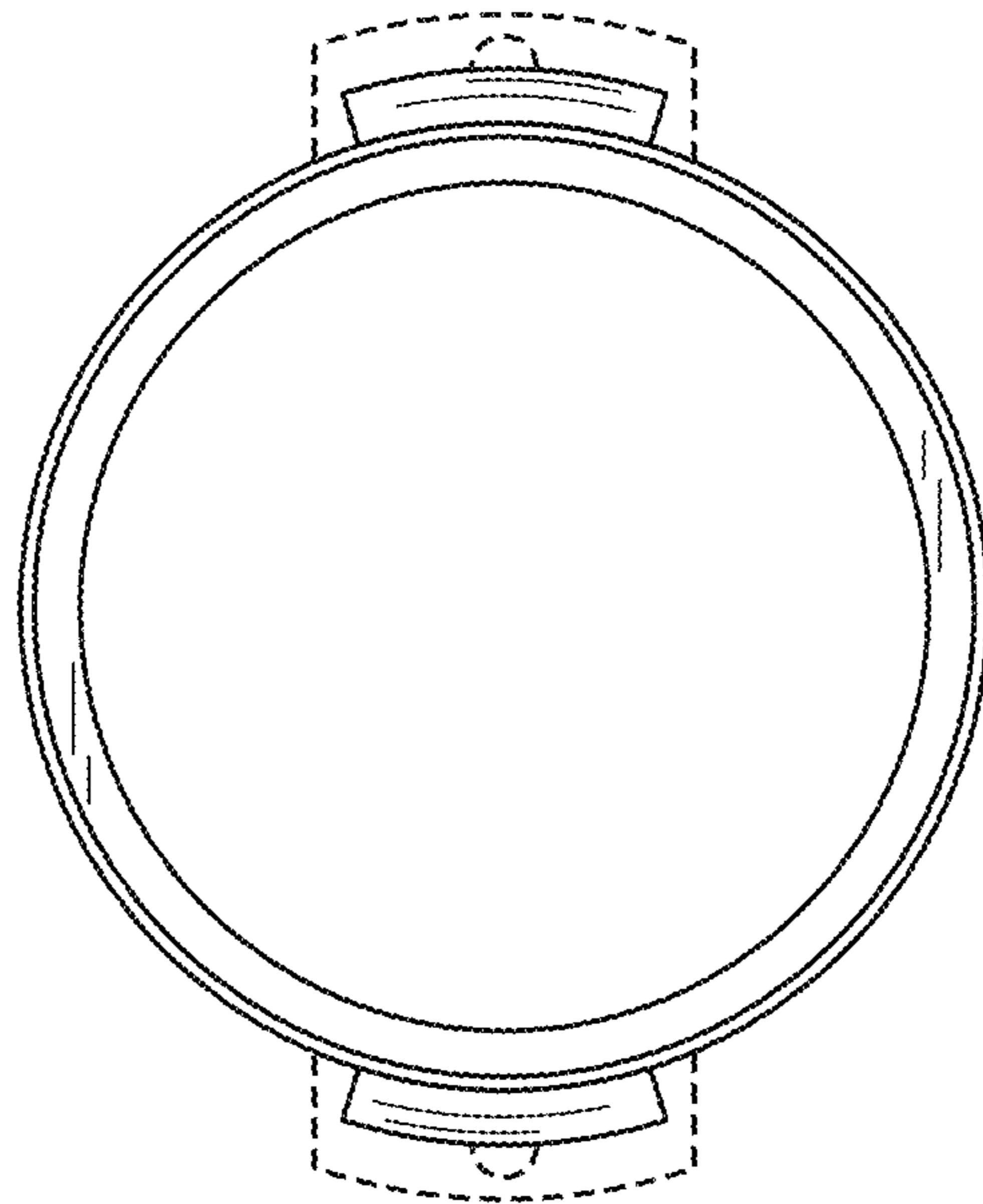
1 . 1 0



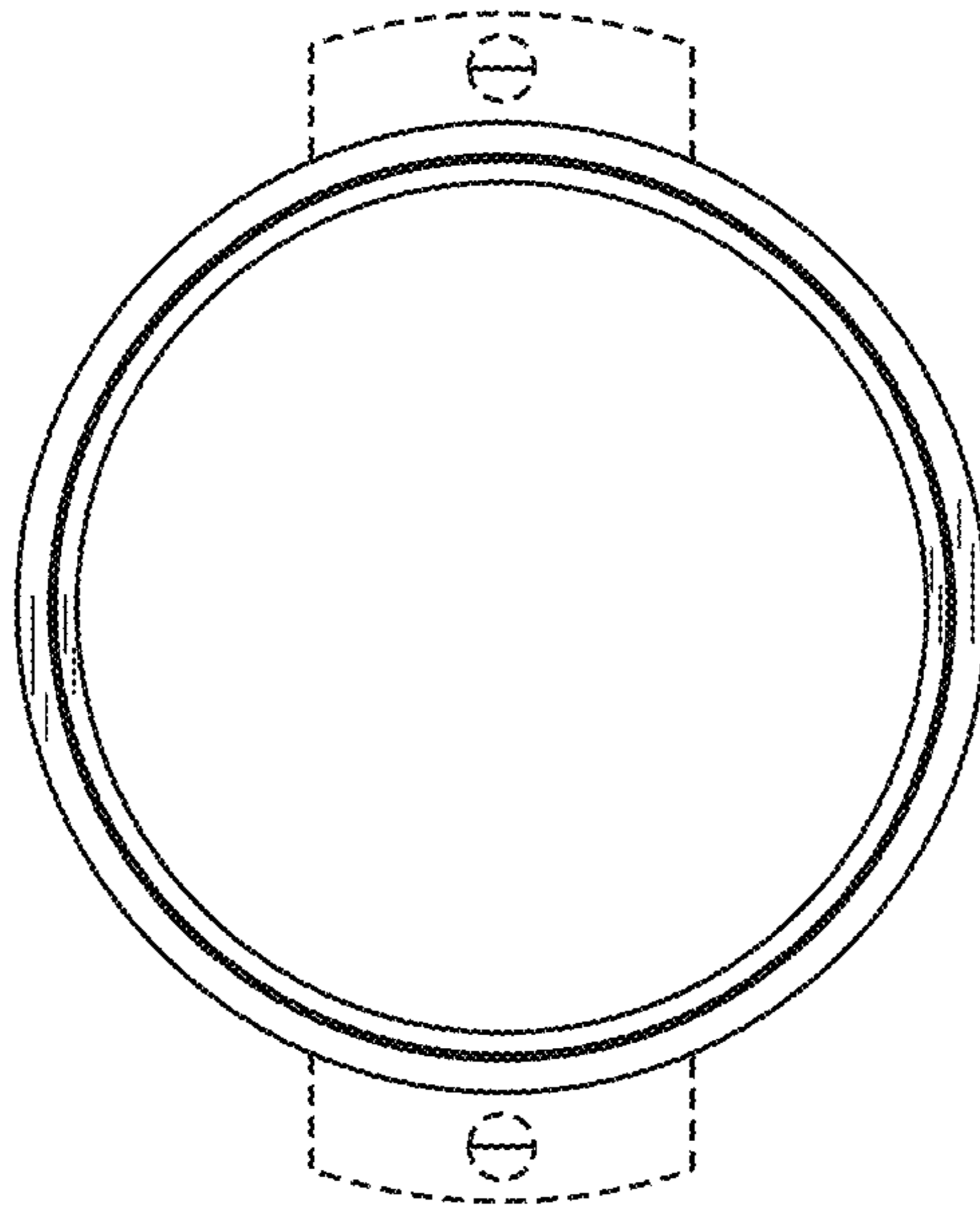
1.11



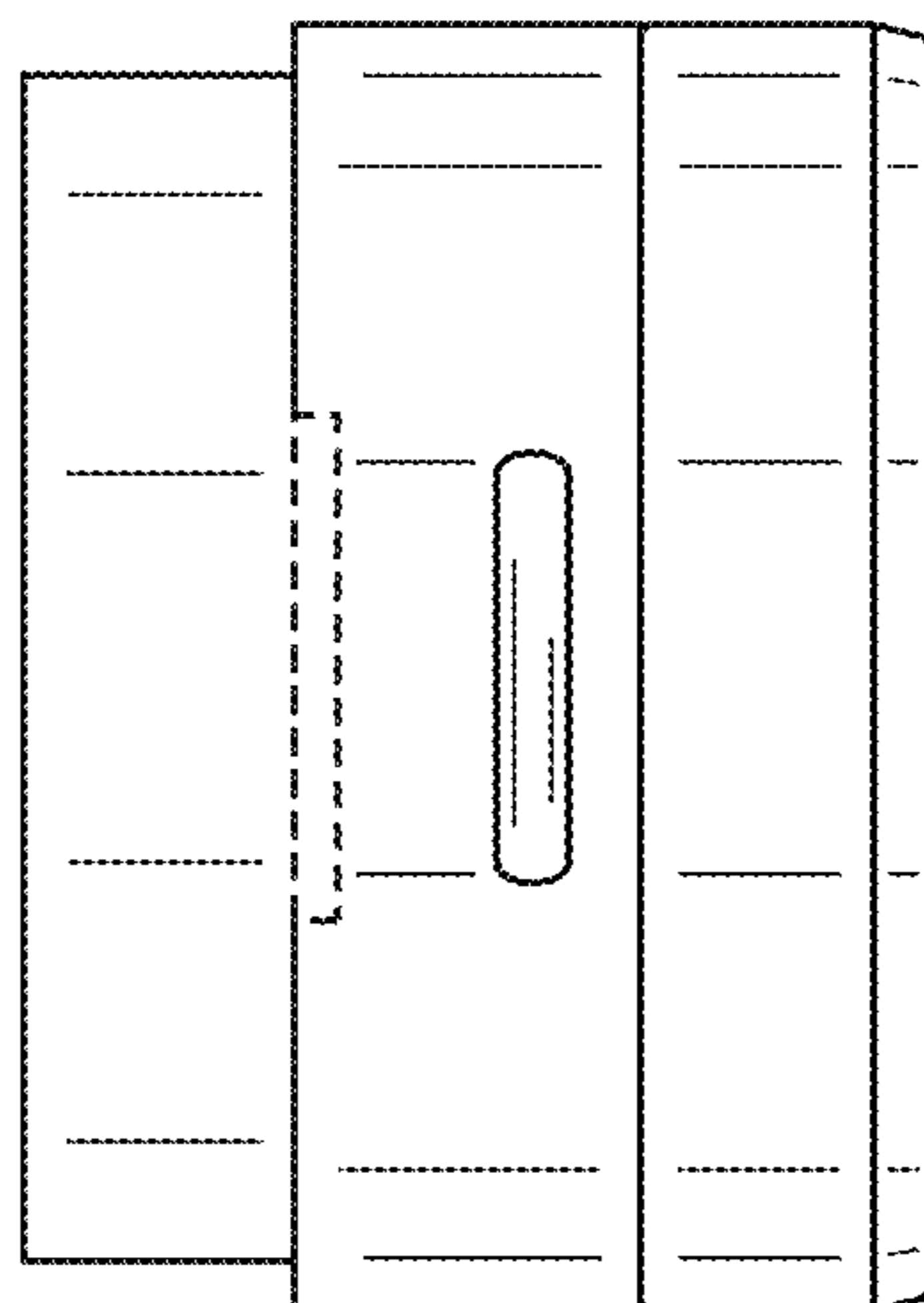
1.12



1 . 1 3



1 . 1 4



1 . 1 5

