



US00D803993S

(12) **United States Design Patent** (10) **Patent No.:** **US D803,993 S**  
**McCollum et al.** (45) **Date of Patent:** **\*\* Nov. 28, 2017**

(54) **CONNECTION COMPONENT**

(71) Applicant: **WHIRLPOOL CORPORATION**,  
Benton Harbor, MI (US)

(72) Inventors: **Kylie M. McCollum**, St. Joseph, MI  
(US); **Manjur Tamboli**, St. Joseph, MI  
(US)

(73) Assignee: **Whirlpool Corporation**, Benton  
Harbor, MI (US)

(\*\*) Term: **15 Years**

(21) Appl. No.: **29/568,728**

(22) Filed: **Jun. 21, 2016**

(51) **LOC (10) Cl.** ..... **23-01**

(52) **U.S. Cl.**  
USPC ..... **D23/262**

(58) **Field of Classification Search**  
USPC ..... D23/259–265, 268–269, 233–237,  
D23/244–249; D24/108, 111, 129;  
137/625.41, 625.47; 604/30, 32, 34, 36,  
604/93, 247; D15/89; D32/3  
CPC . B67D 3/02; B67D 3/045; F16L 29/02; F16L  
29/04; F16L 37/12; F16L 37/0841; F16L  
19/10  
See application file for complete search history.

D379,492 S \* 5/1997 Walker ..... D23/233  
5,983,964 A \* 11/1999 Zielinski ..... F16L 29/00  
137/614.04  
D441,435 S \* 5/2001 Patteson ..... D23/262  
D503,778 S \* 4/2005 Wicks ..... D23/259  
6,953,070 B1 \* 10/2005 Labinski ..... B67D 3/02  
137/614.03  
D607,090 S \* 12/2009 Johnson ..... D23/262  
D618,763 S \* 6/2010 Johnson ..... B67D 1/0082  
D23/237  
D661,786 S \* 6/2012 Johnson ..... D23/262  
D661,787 S \* 6/2012 Johnson ..... D23/262  
D733,842 S \* 7/2015 Allred ..... D23/259  
D736,899 S \* 8/2015 Courtois ..... D23/263

\* cited by examiner

*Primary Examiner* — Eric Goodman  
*Assistant Examiner* — Amy Wierenga  
(74) *Attorney, Agent, or Firm* — Price Heneveld LLP

(57) **CLAIM**

The ornamental design for a connection component, as shown and described.

**DESCRIPTION**

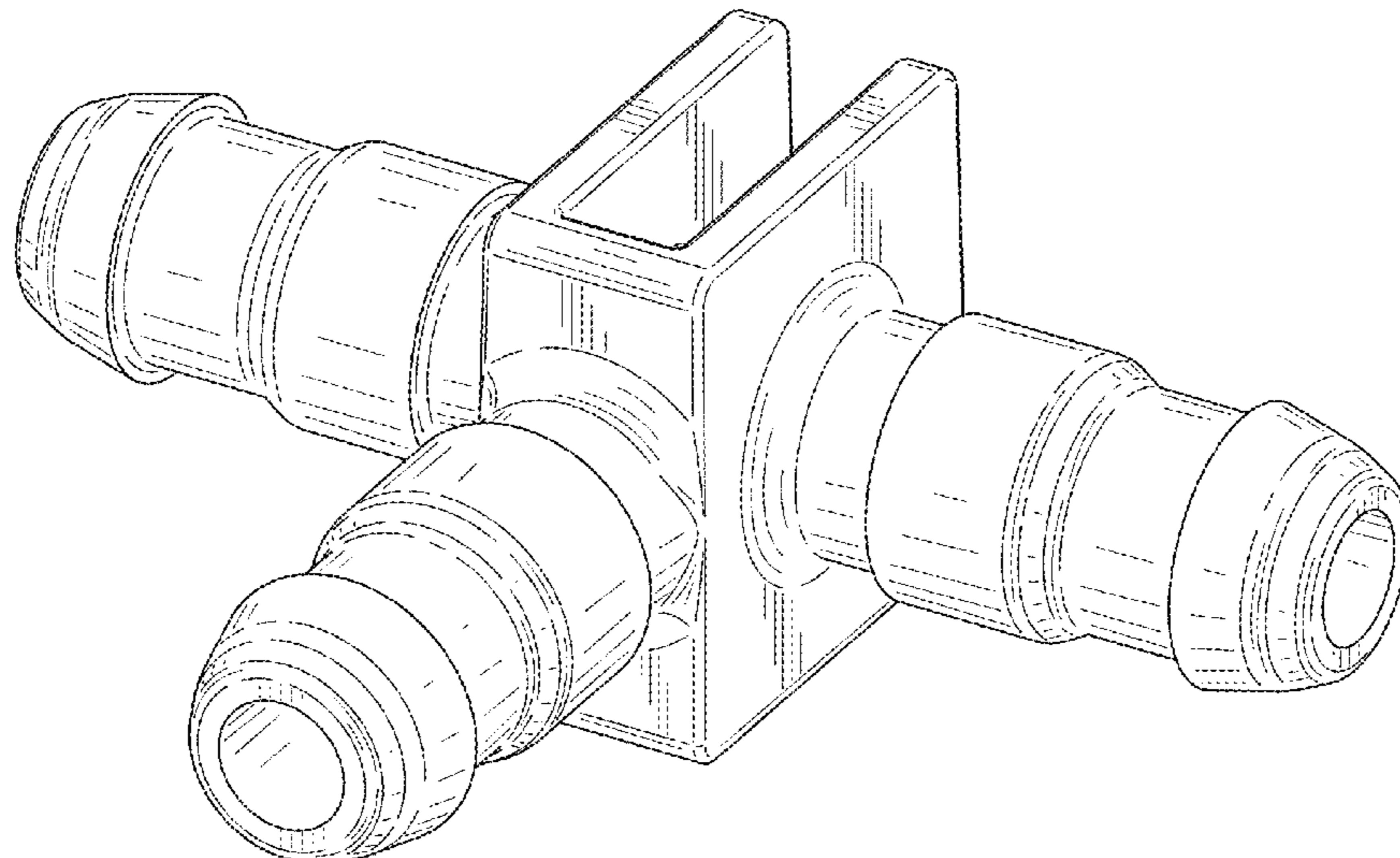
FIG. 1 is a front perspective view of a connection component showing our new design;  
FIG. 2 is a front elevation view thereof;  
FIG. 3 is a rear elevation view thereof;  
FIG. 4 is a right elevation view thereof, a left elevation view being identical thereto;  
FIG. 5 is a top plan view thereof, a bottom plan view being identical thereto; and,  
FIG. 6 is a cross-sectional view thereof taken along the line 6-6 in FIG. 4.  
The diagonal broken lines in FIG. 6 indicate solid portions of the article intersected by the projected line 6-6.

**1 Claim, 6 Drawing Sheets**

(56) **References Cited**

U.S. PATENT DOCUMENTS

D56,925 S \* 1/1921 Humphrey ..... D23/263  
D60,159 S \* 1/1922 Norwood ..... D23/226  
D251,734 S \* 5/1979 McCaw ..... D23/263  
D259,278 S \* 5/1981 McCaw ..... D23/262  
D260,810 S \* 9/1981 Cleveland ..... D15/5  
D283,725 S \* 5/1986 Mahoney ..... D23/235  
D298,850 S \* 12/1988 Lanoue ..... D23/263



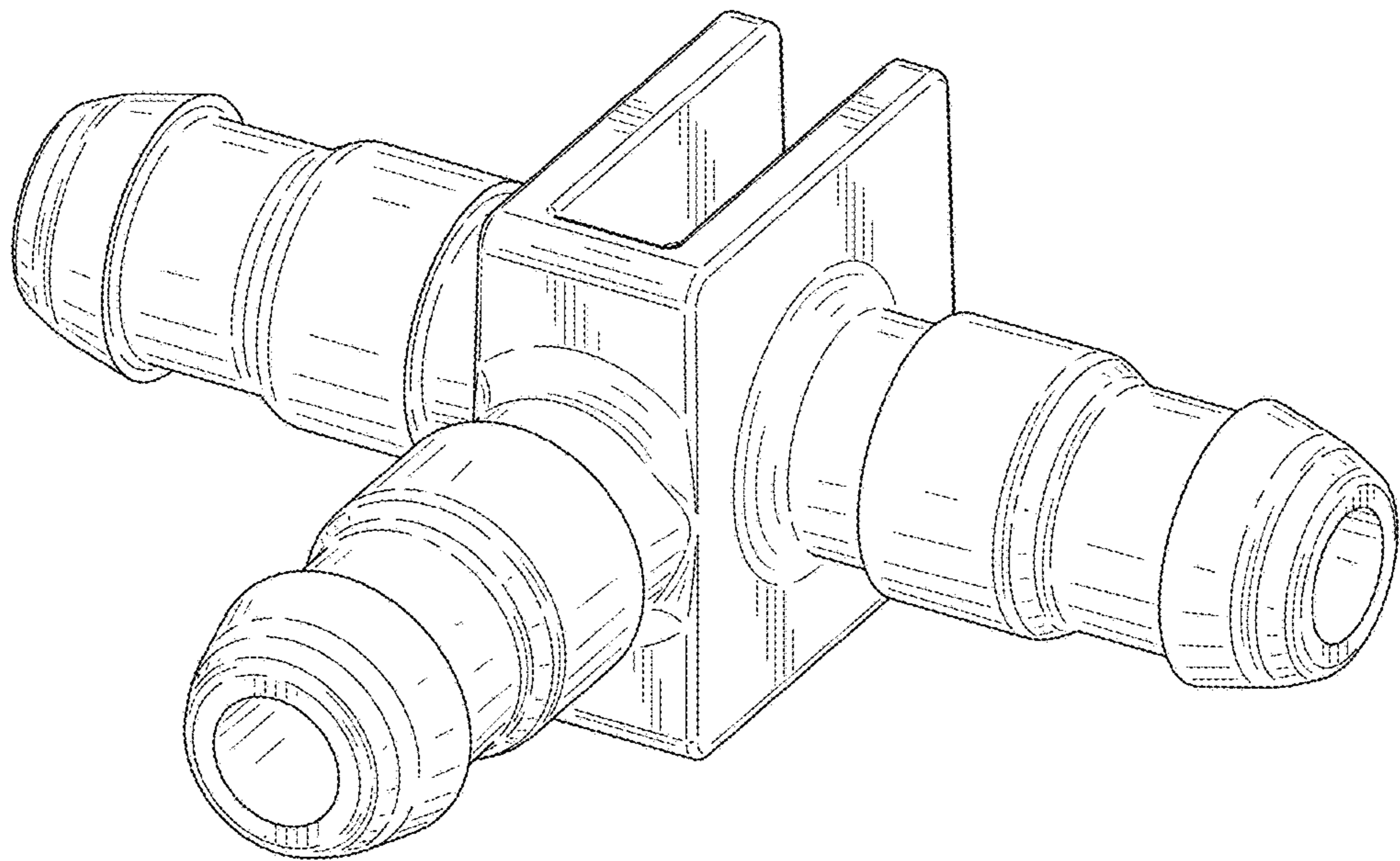


FIG. 1

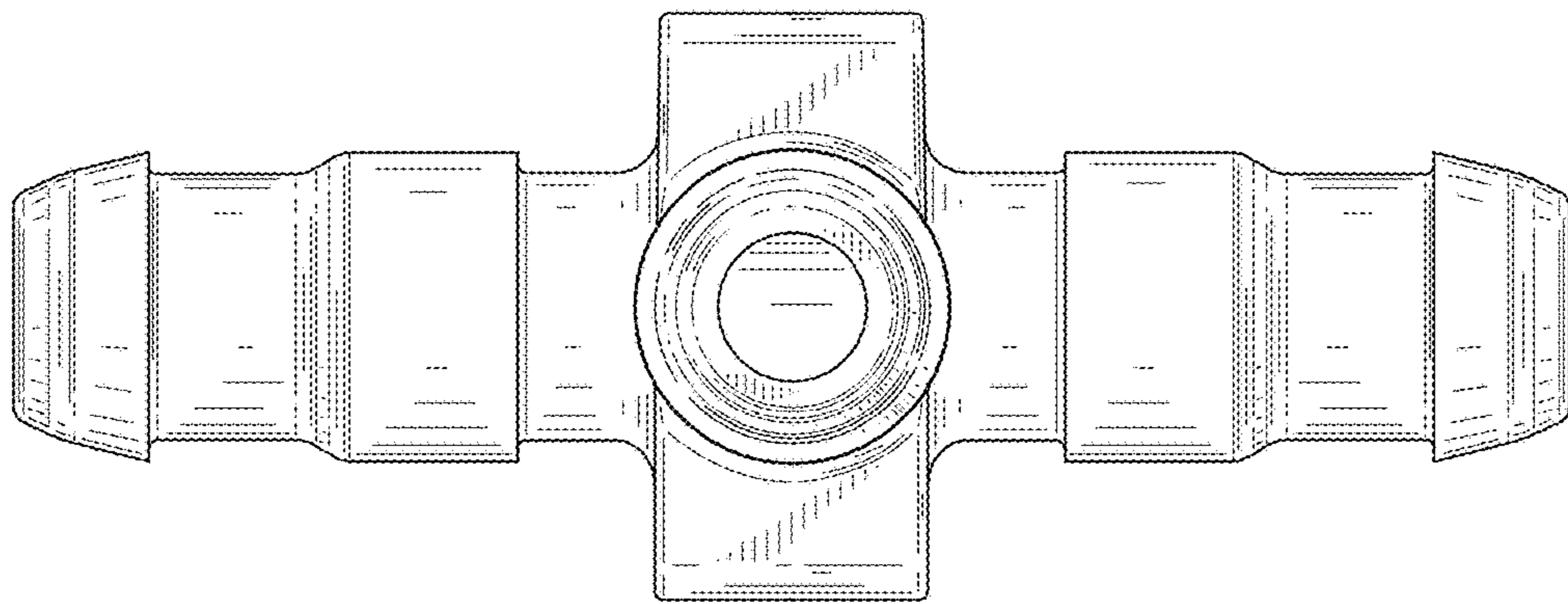
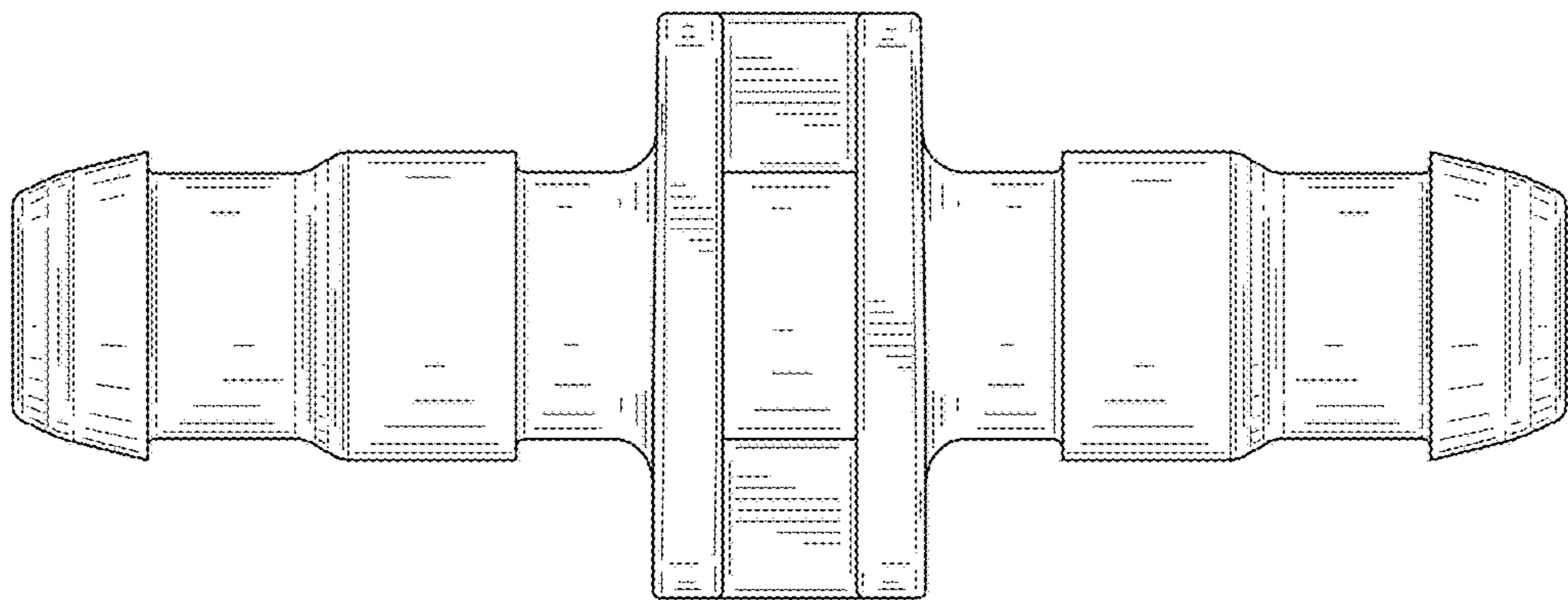


FIG. 2



**FIG. 3**

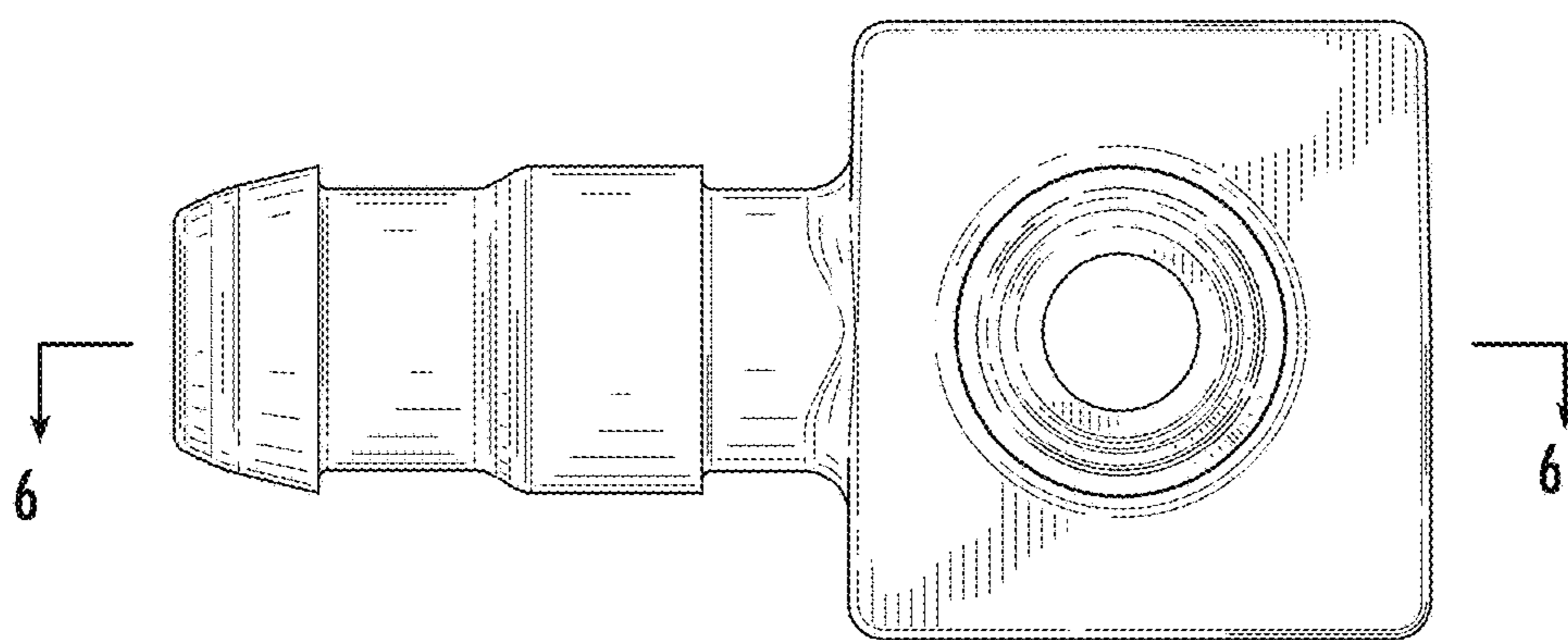


FIG. 4

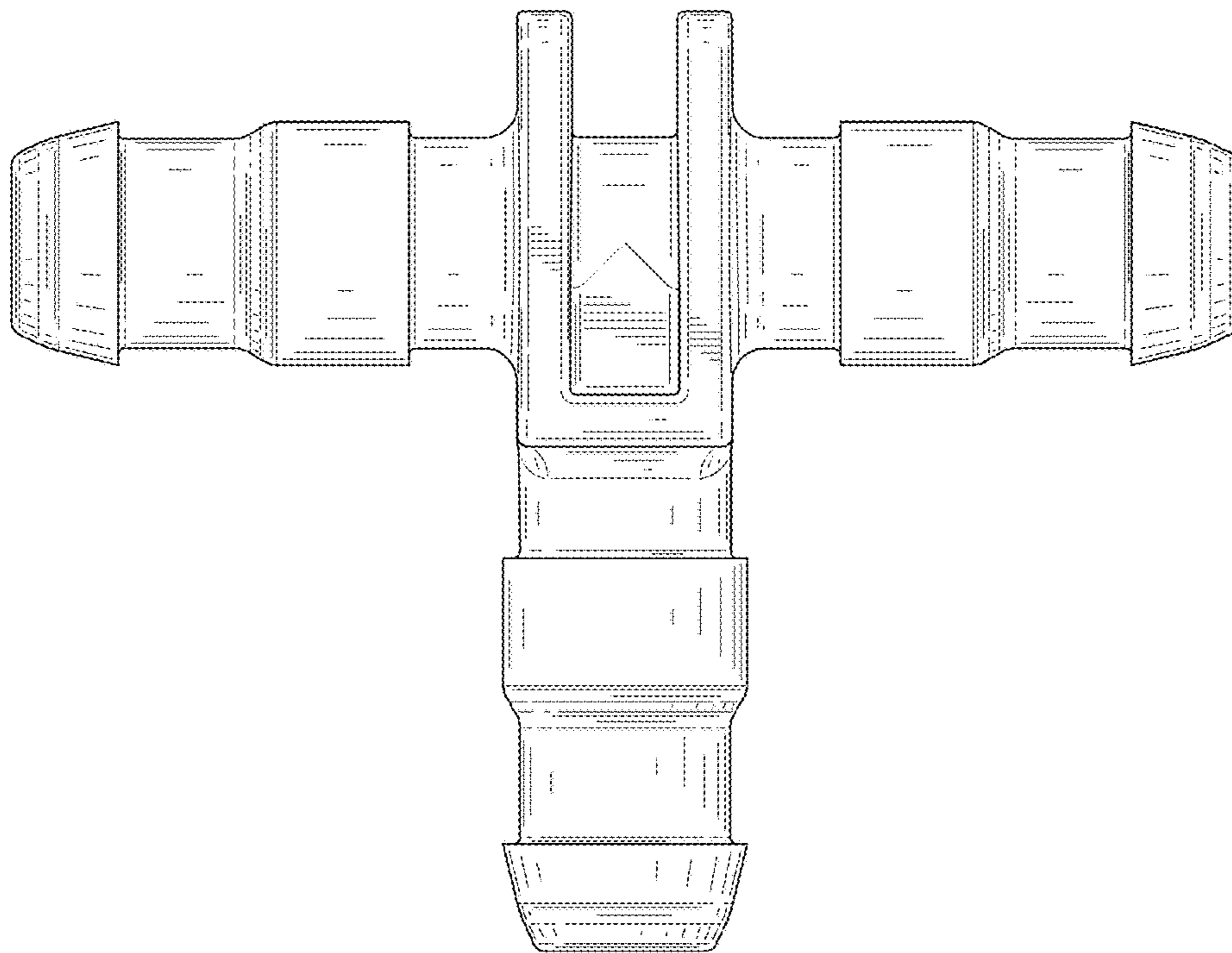


FIG. 5

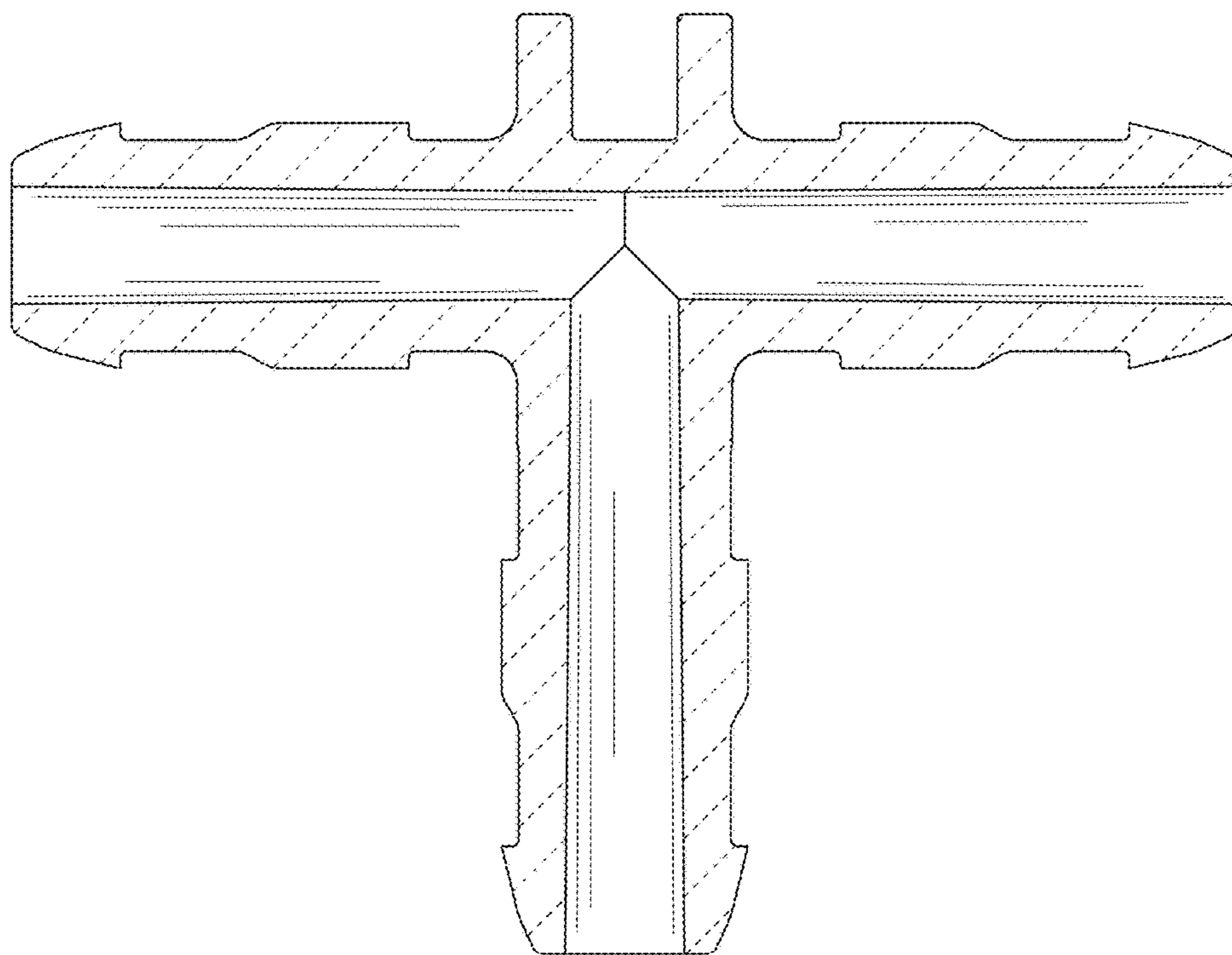


FIG. 6

UNITED STATES PATENT AND TRADEMARK OFFICE  
**CERTIFICATE OF CORRECTION**

PATENT NO. : D803,993 S  
APPLICATION NO. : 29/568728  
DATED : November 28, 2017  
INVENTOR(S) : McCollum et al.

Page 1 of 1

It is certified that error appears in the above-identified patent and that said Letters Patent is hereby corrected as shown below:

On the Title Page

Item (72) Inventor is corrected to read:  
-- Kylie M. McCollum, St. Joseph, MI (US);  
Manjur Tamboil, St. Joseph, MI (US);  
Scott Gardner, Sandy, UT (US);  
Don Currey, Chagrin Falls, OH (US) --.

Signed and Sealed this  
Fifteenth Day of March, 2022



Drew Hirshfeld  
*Performing the Functions and Duties of the  
Under Secretary of Commerce for Intellectual Property and  
Director of the United States Patent and Trademark Office*