



US00D803990S

(12) **United States Design Patent**
Clarke et al.

(10) **Patent No.:** **US D803,990 S**

(45) **Date of Patent:** **** Nov. 28, 2017**

(54) **FAUCET HANDLE**

(71) Applicant: **Kohler Co.**, Kohler, WI (US)

(72) Inventors: **Gary N. Clarke**, Sheboygan, WI (US);
Brian M. Kaule, Yardley, PA (US)

(73) Assignee: **KOHLER CO.**, Kohler, WI (US)

(**) Term: **15 Years**

(21) Appl. No.: **29/603,056**

(22) Filed: **May 5, 2017**

Related U.S. Application Data

(62) Division of application No. 29/542,967, filed on Oct. 20, 2015, now Pat. No. Des. 786,407.

(51) **LOC (10) Cl.** **23-01**

(52) **U.S. Cl.**
USPC **D23/252**

(58) **Field of Classification Search**
USPC D23/238, 241–243, 249–250, 252, 254
CPC Y10T 137/9464
See application file for complete search history.

(56) **References Cited**

U.S. PATENT DOCUMENTS

D346,205 S	4/1994	Sauter
D407,144 S	3/1999	Formgren
D444,860 S	7/2001	Slothower
D528,838 S	9/2006	Berberet
D532,486 S	11/2006	Barry
D535,359 S	1/2007	Koury
D570,449 S	6/2008	Lee
D571,897 S	6/2008	Hanna
D576,710 S	9/2008	Fritz

D583,021 S	12/2008	Downey
D594,532 S	6/2009	Schoenherr
D622,819 S	8/2010	Tippens et al.
D630,712 S	1/2011	Tippens et al.
D683,428 S	5/2013	Kwok
D683,429 S	5/2013	Kwok
D683,821 S	6/2013	Reuter
D704,027 S	5/2014	Trunek
D713,508 S	9/2014	Downey
D717,401 S	11/2014	Fritz
D721,164 S	1/2015	Georgeson

Primary Examiner — Robert A Delehanty

(74) *Attorney, Agent, or Firm* — Foley & Lardner LLP

(57) **CLAIM**

We claim the ornamental design for a faucet handle, as shown and described.

DESCRIPTION

FIG. 1 is a top, front, left perspective view of an embodiment of the claimed design;

FIG. 2 is a front elevation view thereof

FIG. 3 is a rear elevation view thereof;

FIG. 4 is a right side elevation view thereof;

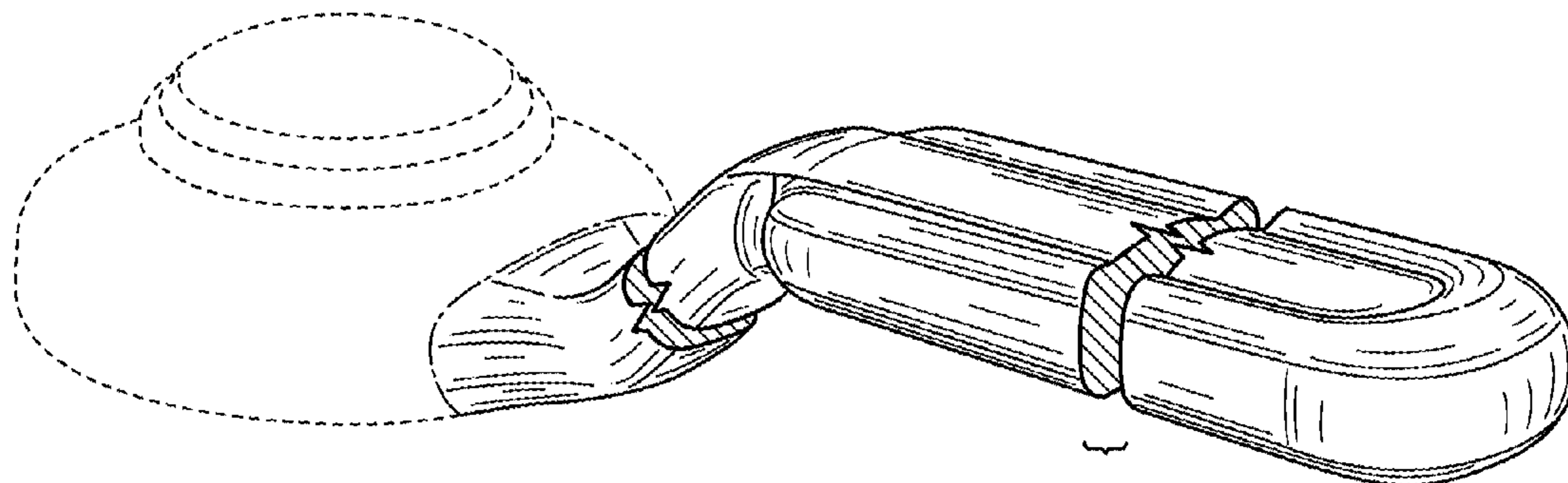
FIG. 5 is a left side elevation view thereof;

FIG. 6 is a top plan view thereof; and,

FIG. 7 is a bottom plan view thereof.

The ornamental design which is claimed is shown in solid lines in the drawings. The broken lines in the drawings form no part of the claimed design. Broken lines formed by equal length dashes show unclaimed subject matter. Broken lines formed of unequal length dashes (i.e., dash-dot) define bounds of the claimed design. Broken away symbols having a jagged element show that no particular length of the portion is claimed.

1 Claim, 7 Drawing Sheets



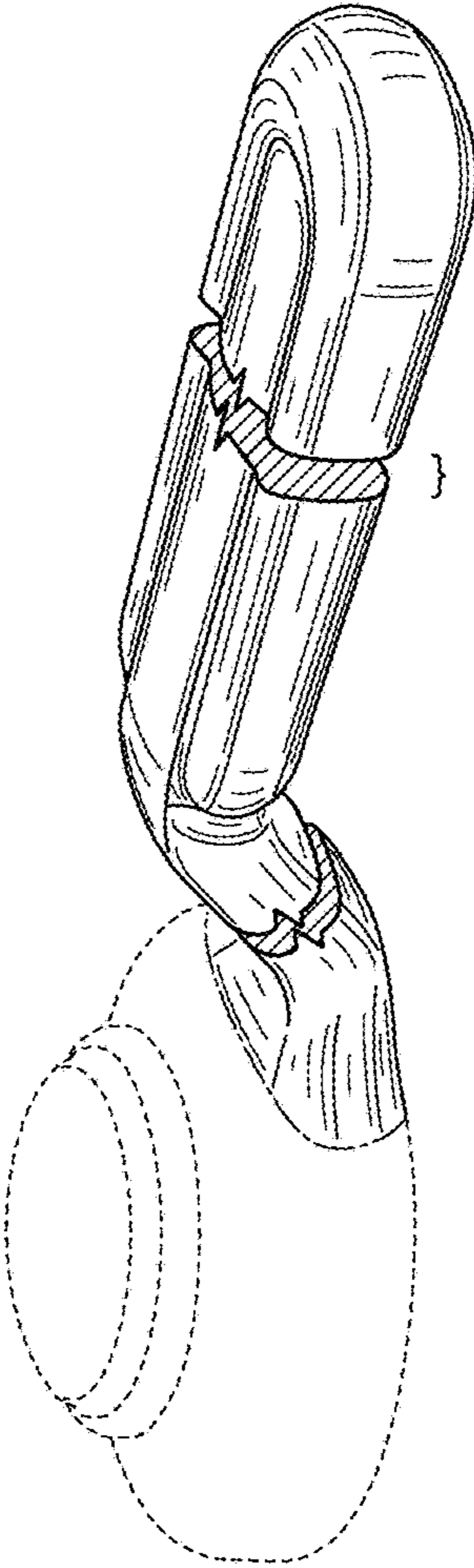


FIG. 1

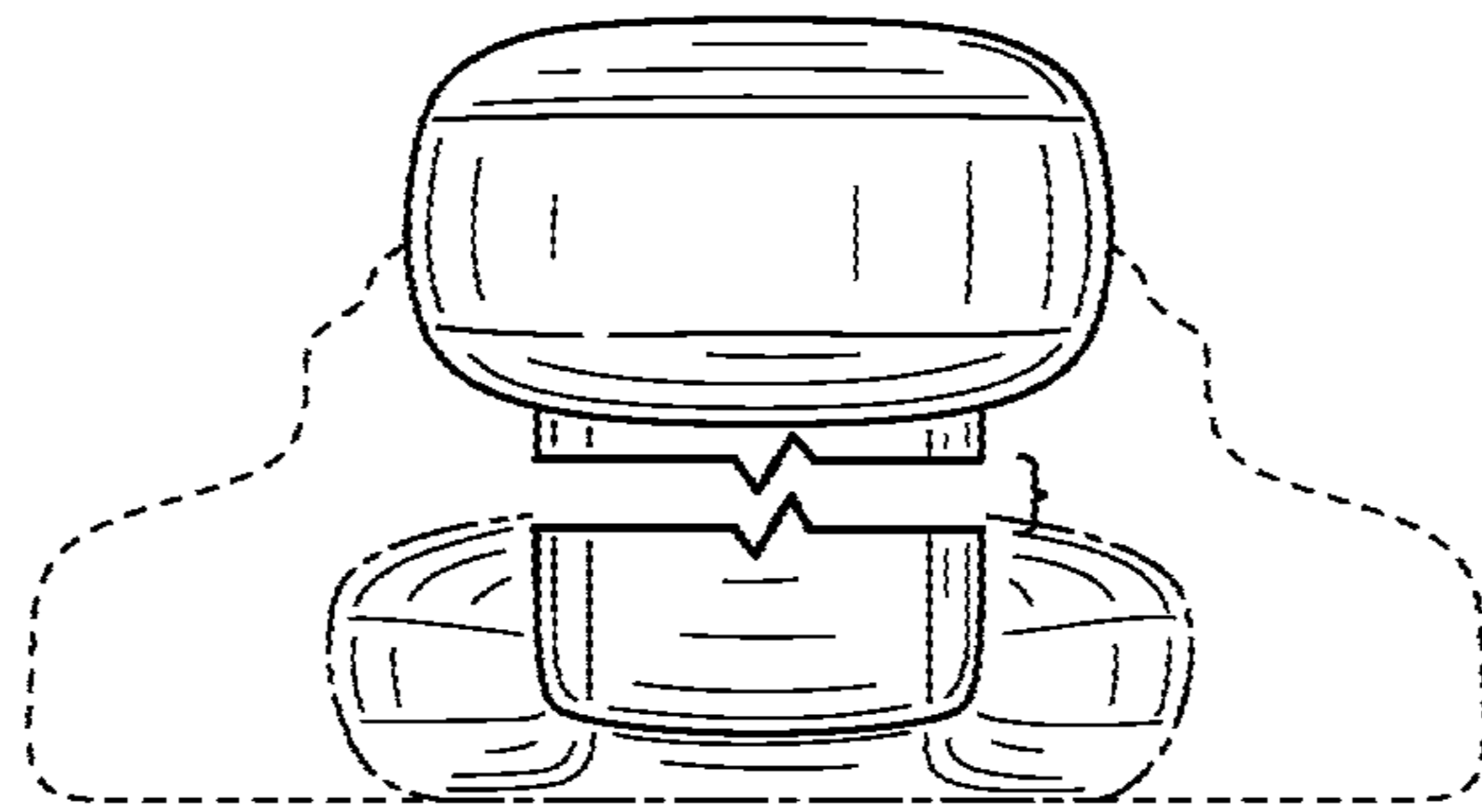


FIG. 2

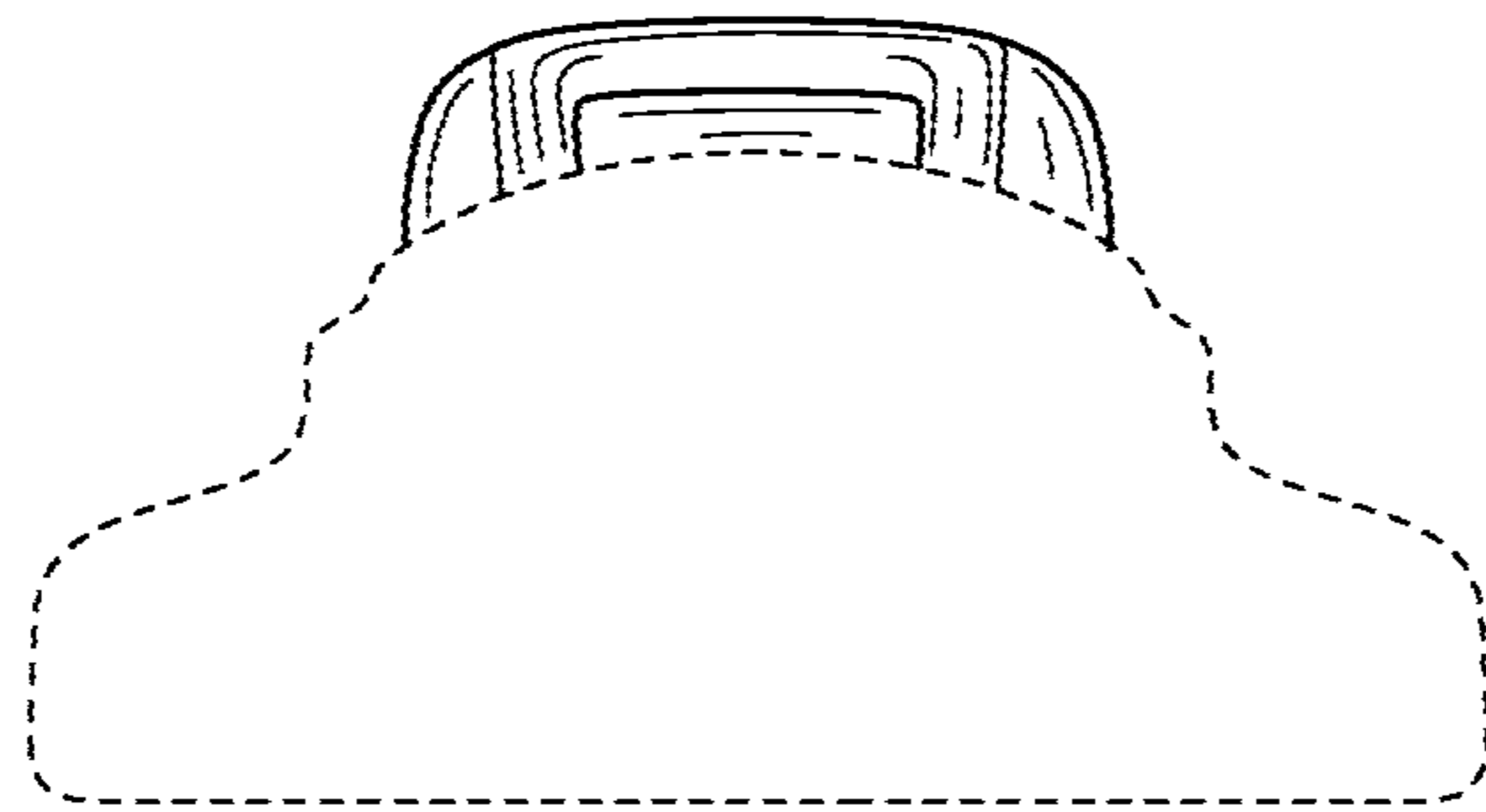


FIG. 3

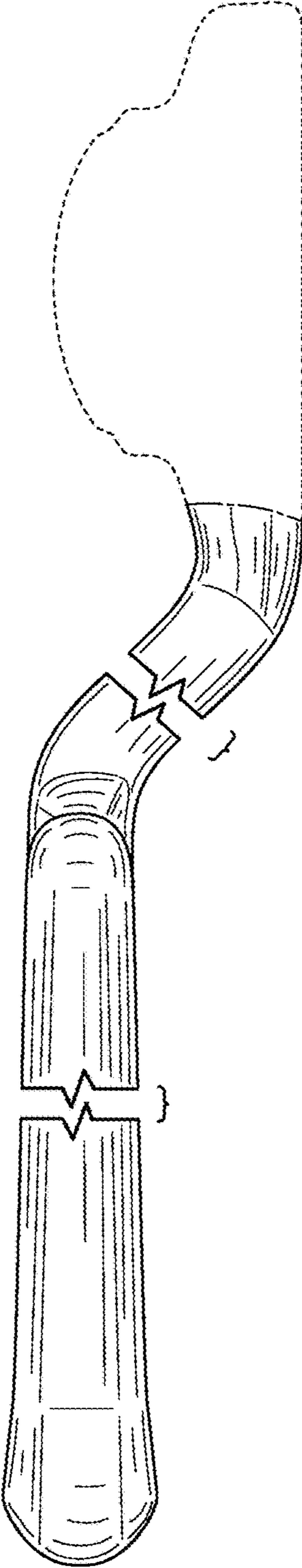


FIG. 4

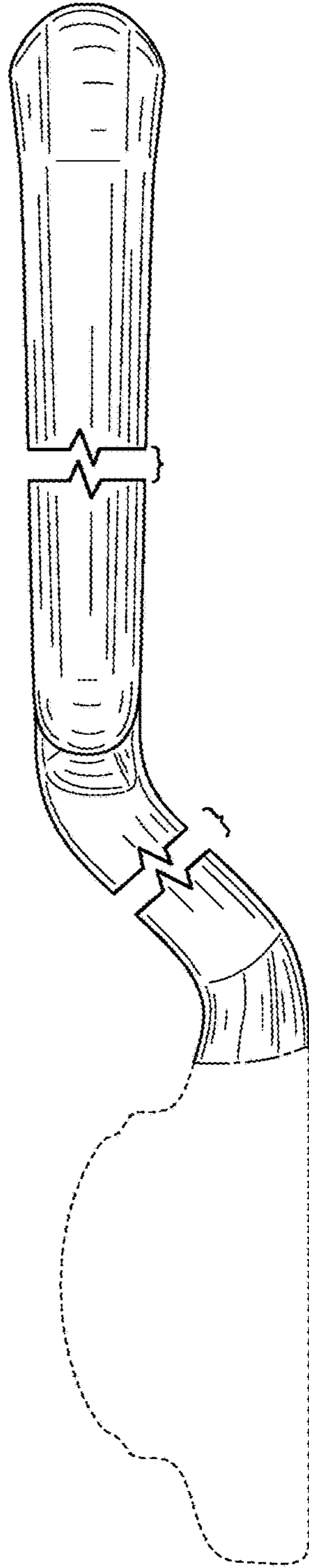


FIG. 5

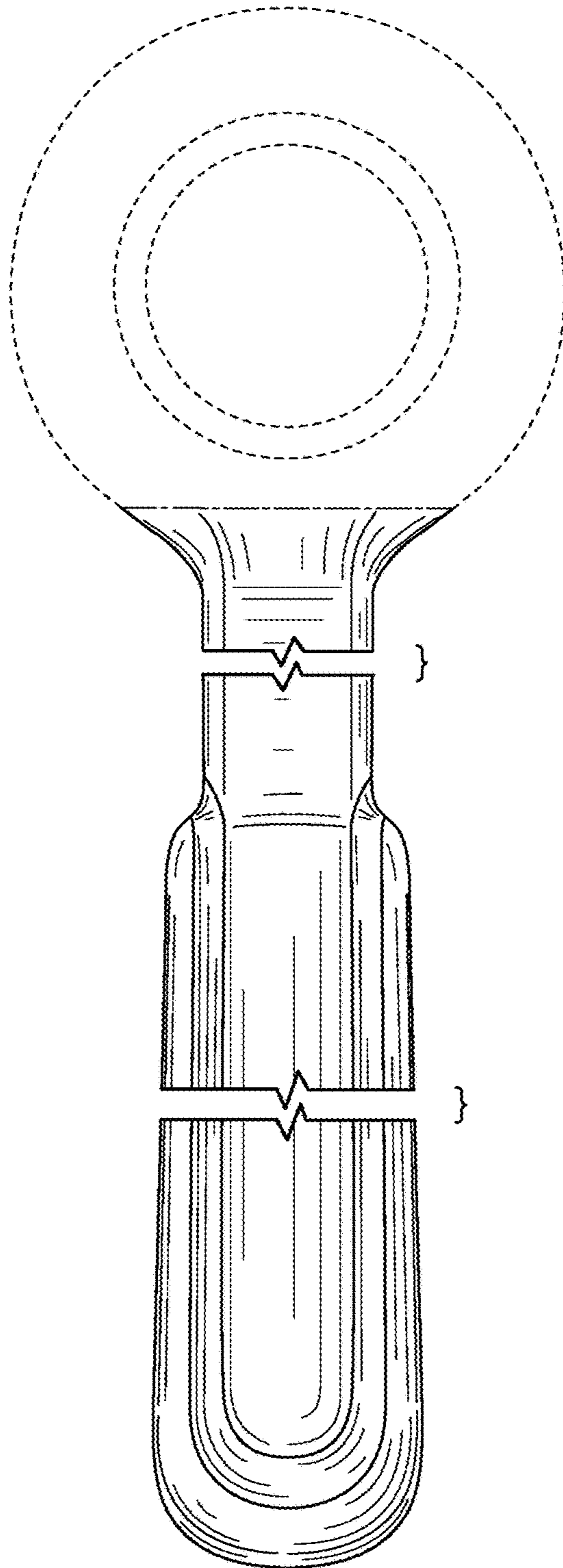


FIG. 6

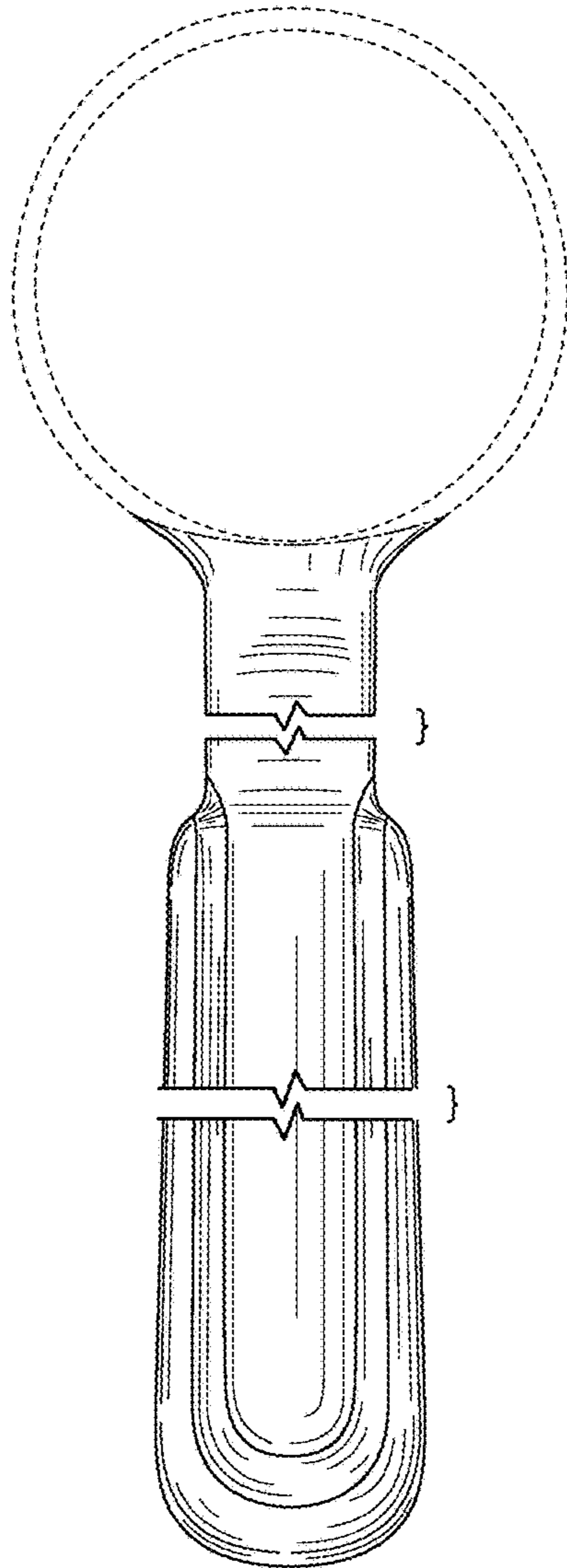


FIG. 7