

US00D803989S

(12) **United States Design Patent** (10) **Patent No.:** **US D803,989 S**  
**Flowers et al.** (45) **Date of Patent:** **\*\* Nov. 28, 2017**

(54) **FAUCET**

(71) Applicant: **Grohe AG**, Hemer (DE)

(72) Inventors: **Paul Flowers**, London (GB); **Beguem Tomruk**, Duesseldorf (DE)

(73) Assignee: **Grohe AG**, Hemer (DE)

(\*\*) Term: **15 Years**

(21) Appl. No.: **29/576,635**

(22) Filed: **Sep. 6, 2016**

(30) **Foreign Application Priority Data**

Mar. 4, 2016 (EM) ..... 003012863-0003  
Mar. 4, 2016 (EM) ..... 003012863-0004  
Mar. 4, 2016 (EM) ..... 003012863-0006

(51) **LOC (10) Cl.** ..... **23-01**

(52) **U.S. Cl.**  
USPC ..... **D23/250**

(58) **Field of Classification Search**  
USPC ..... D23/238-242, 249-250, 254-255, 257,  
D23/213, 223  
CPC ..... Y10T 137/9464  
See application file for complete search history.

(56) **References Cited**

**U.S. PATENT DOCUMENTS**

D243,608 S \* 3/1977 Mono ..... D23/238  
D444,846 S \* 7/2001 Cross ..... D23/213

D479,309 S \* 9/2003 Haug ..... D23/238  
D542,376 S \* 5/2007 Blette ..... D23/213  
D576,707 S \* 9/2008 Schonherr ..... D23/238  
D583,012 S \* 12/2008 McGilloway ..... D23/213  
D676,112 S \* 2/2013 Wu ..... D23/238  
D719,646 S \* 12/2014 Melo ..... D23/266

\* cited by examiner

*Primary Examiner* — Robert A Delehanty

(74) *Attorney, Agent, or Firm* — Muncy, Geissler, Olds & Lowe, P.C.

(57) **CLAIM**

The ornamental design for a faucet, as shown and described.

**DESCRIPTION**

FIG. 1 is a front perspective view of a faucet according to the present invention.

FIG. 2 is a front view of the faucet of FIG. 1.

FIG. 3 is a rear view of the faucet of FIG. 1.

FIG. 4 is a left side view of the faucet of FIG. 1.

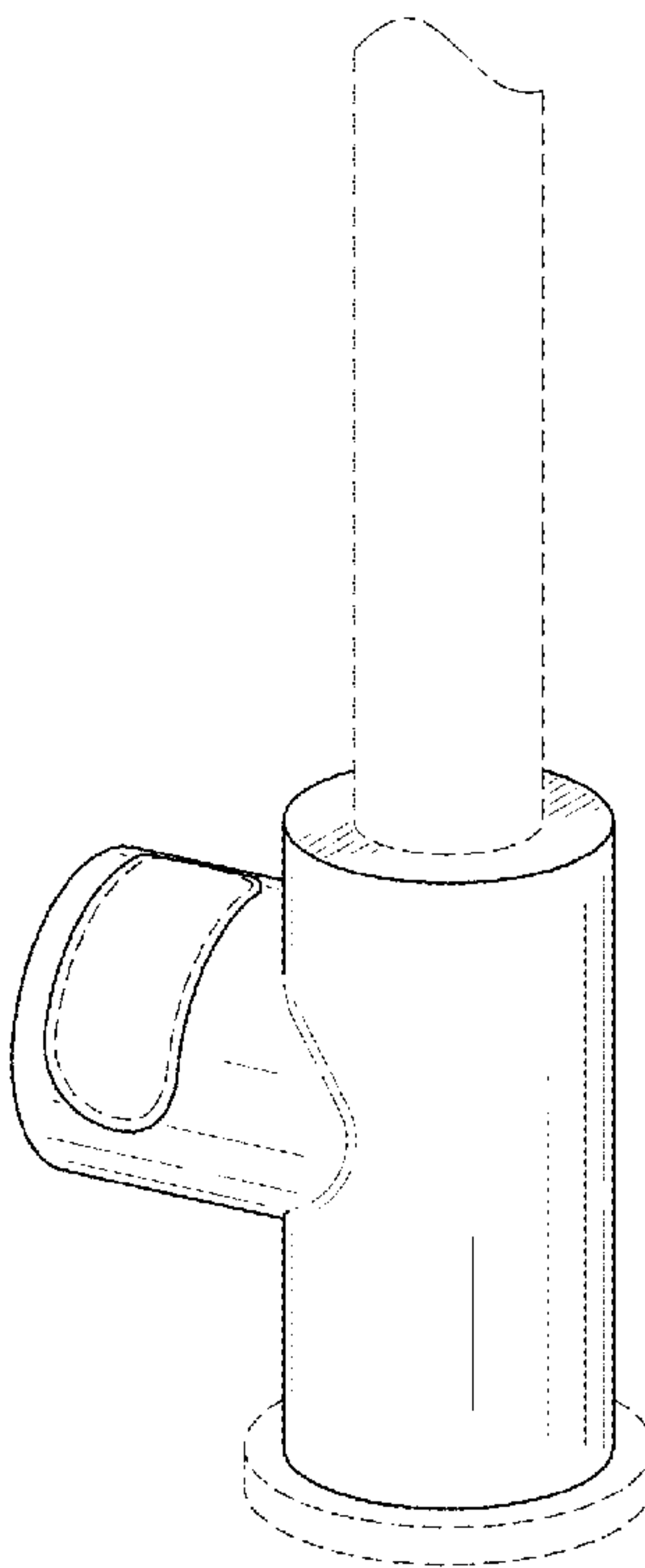
FIG. 5 is a right side view of the faucet of FIG. 1.

FIG. 6 is a top view of the faucet of FIG. 1; and,

FIG. 7 is a bottom view of the faucet of FIG. 1.

The dashed lines illustrate environment that does not form a part of the present invention, and no claim is made to the material illustrated with dashed lines.

**1 Claim, 6 Drawing Sheets**



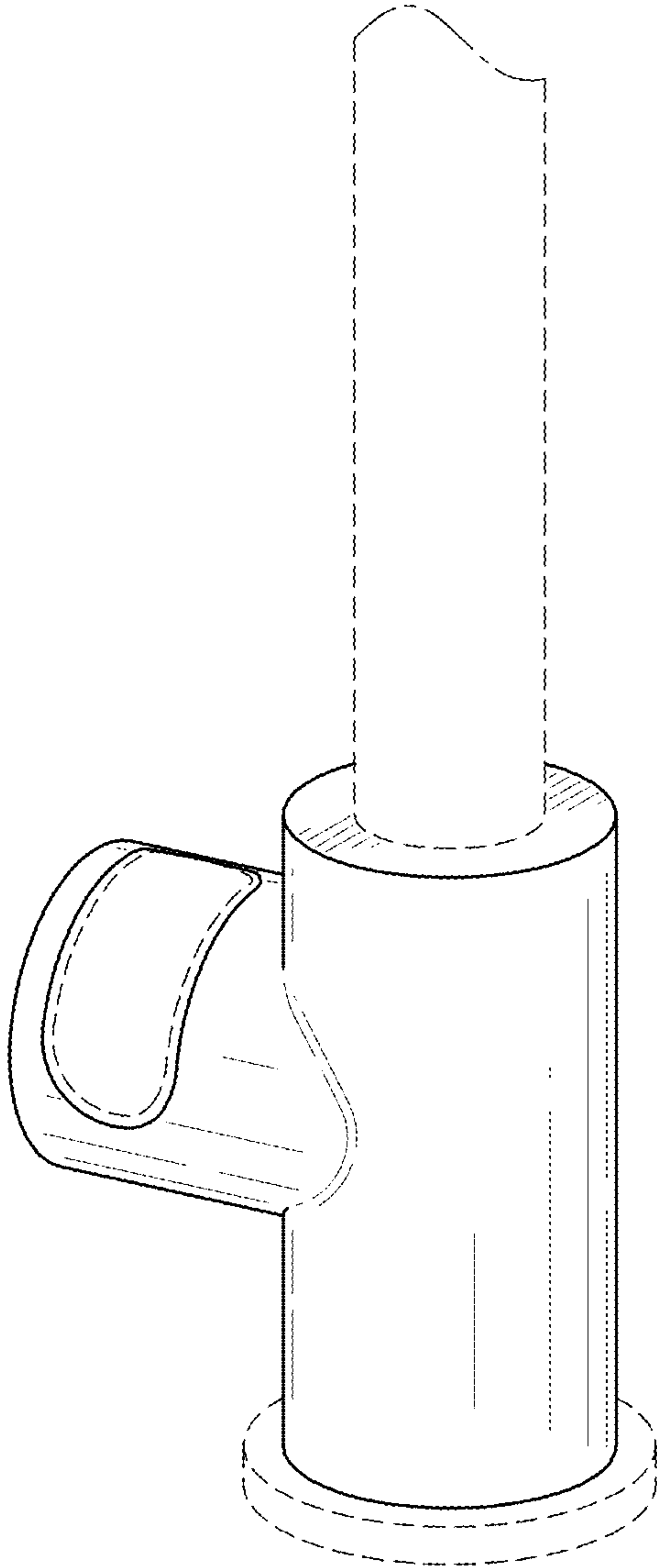


FIG. 1

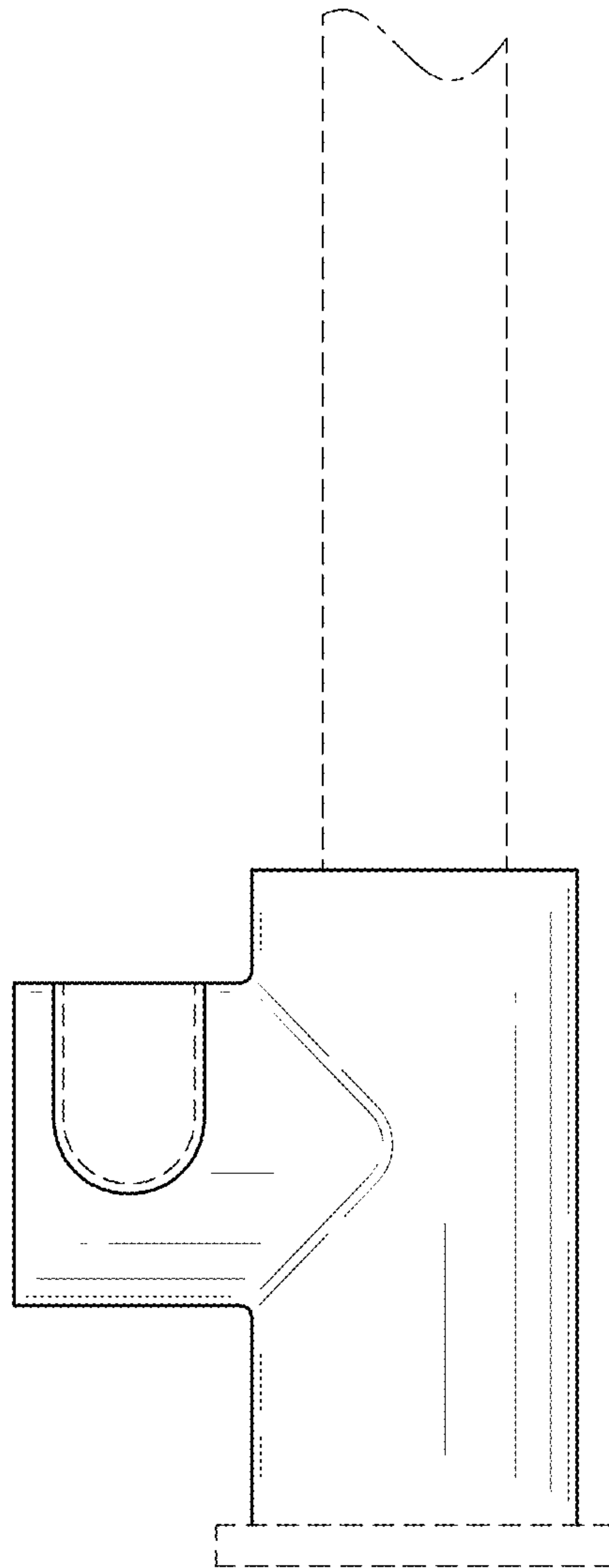


FIG.2

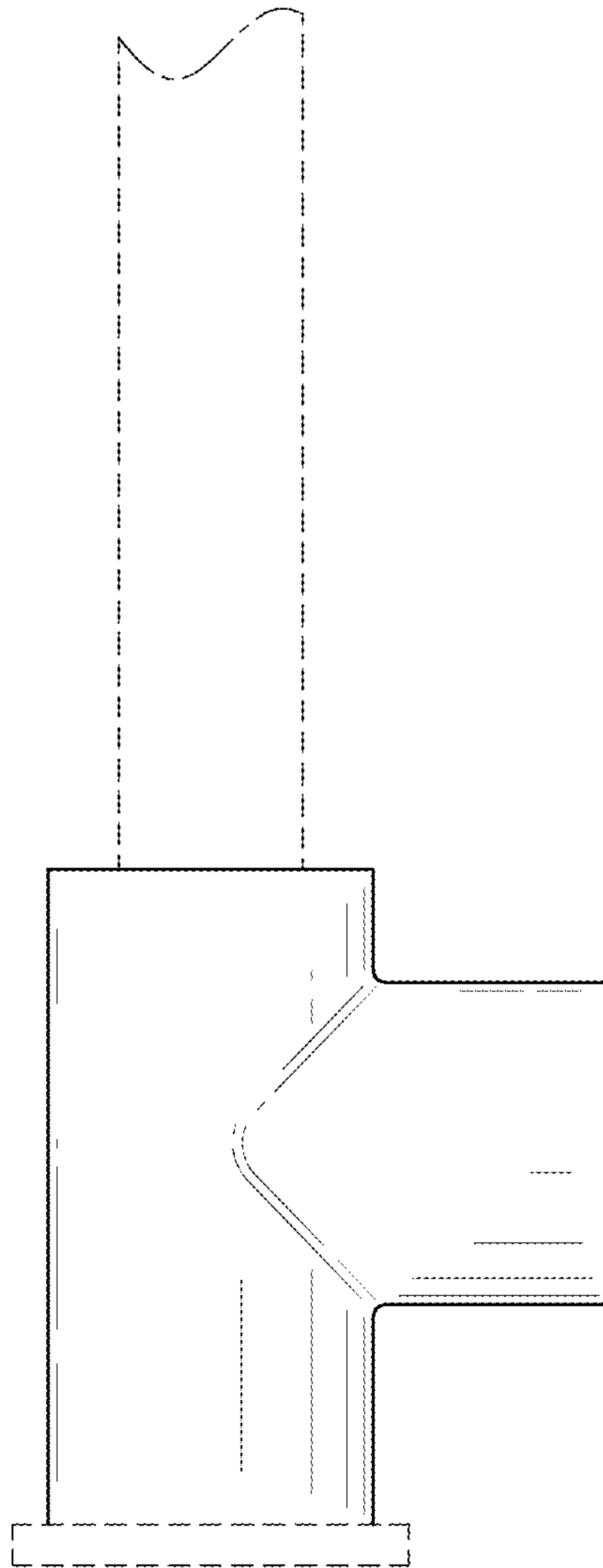


FIG.3

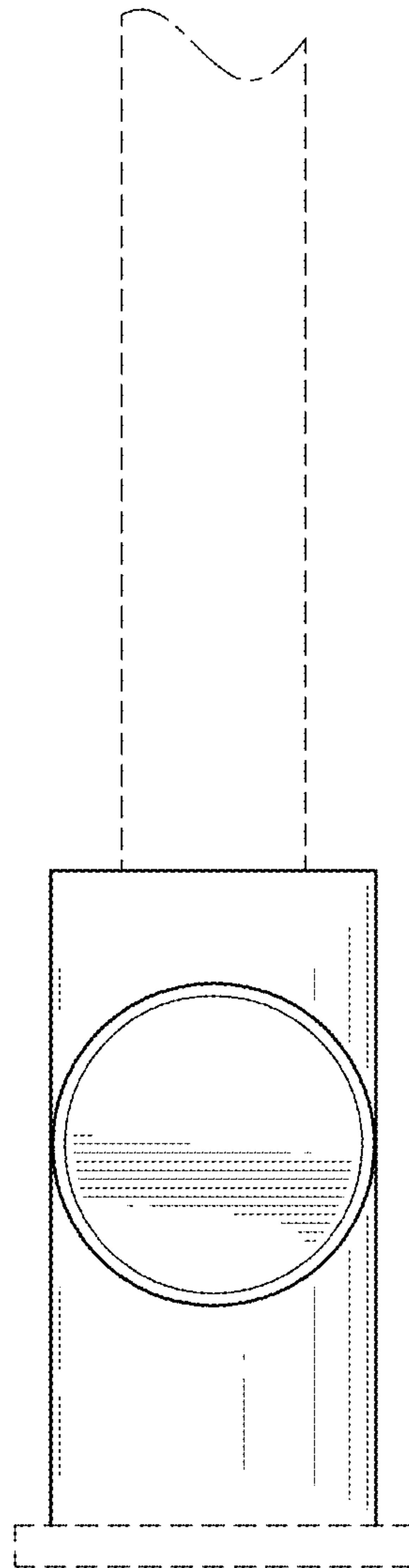


FIG.4

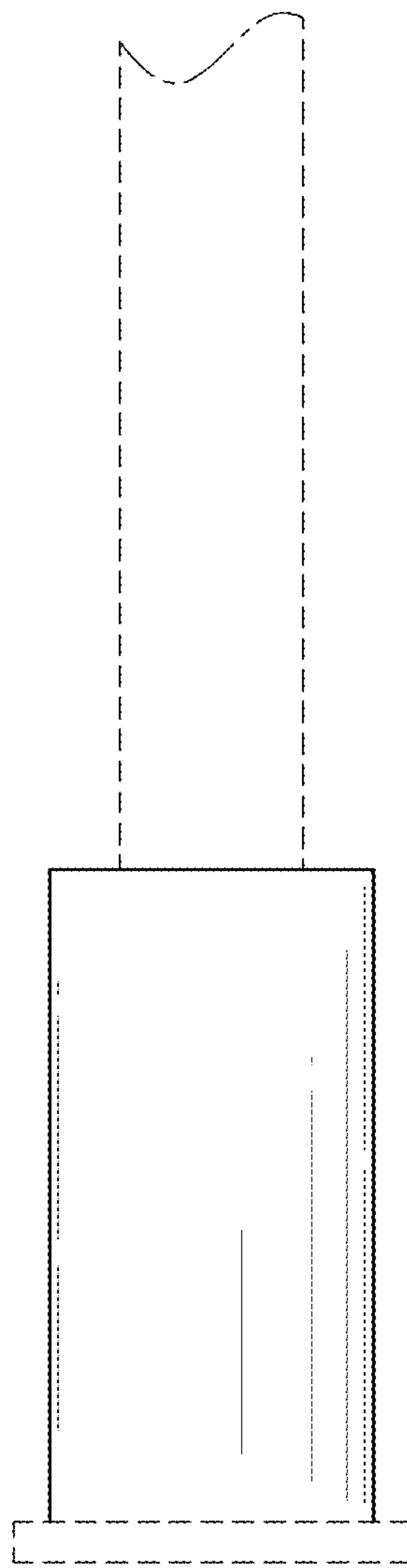


FIG.5

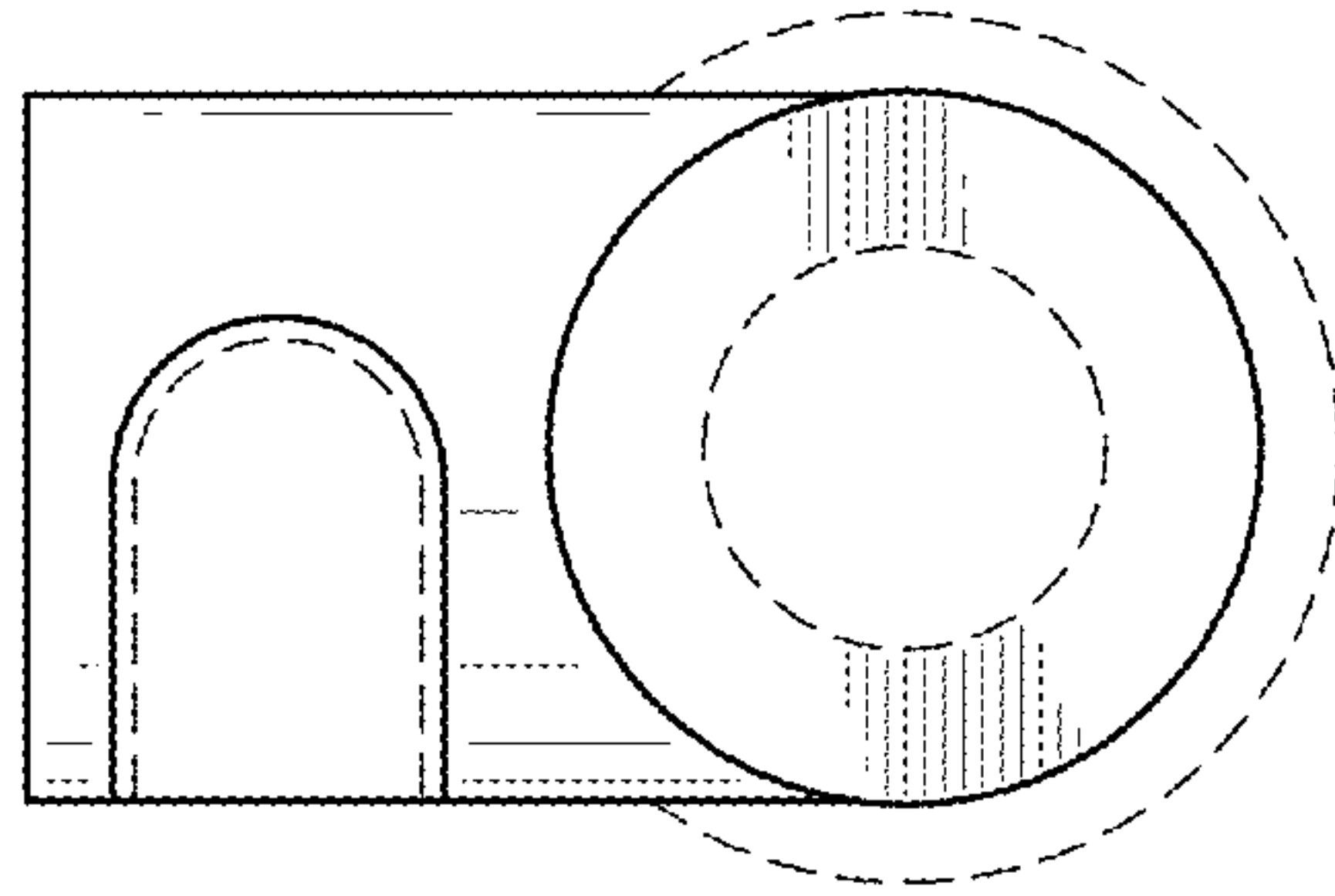


FIG. 6

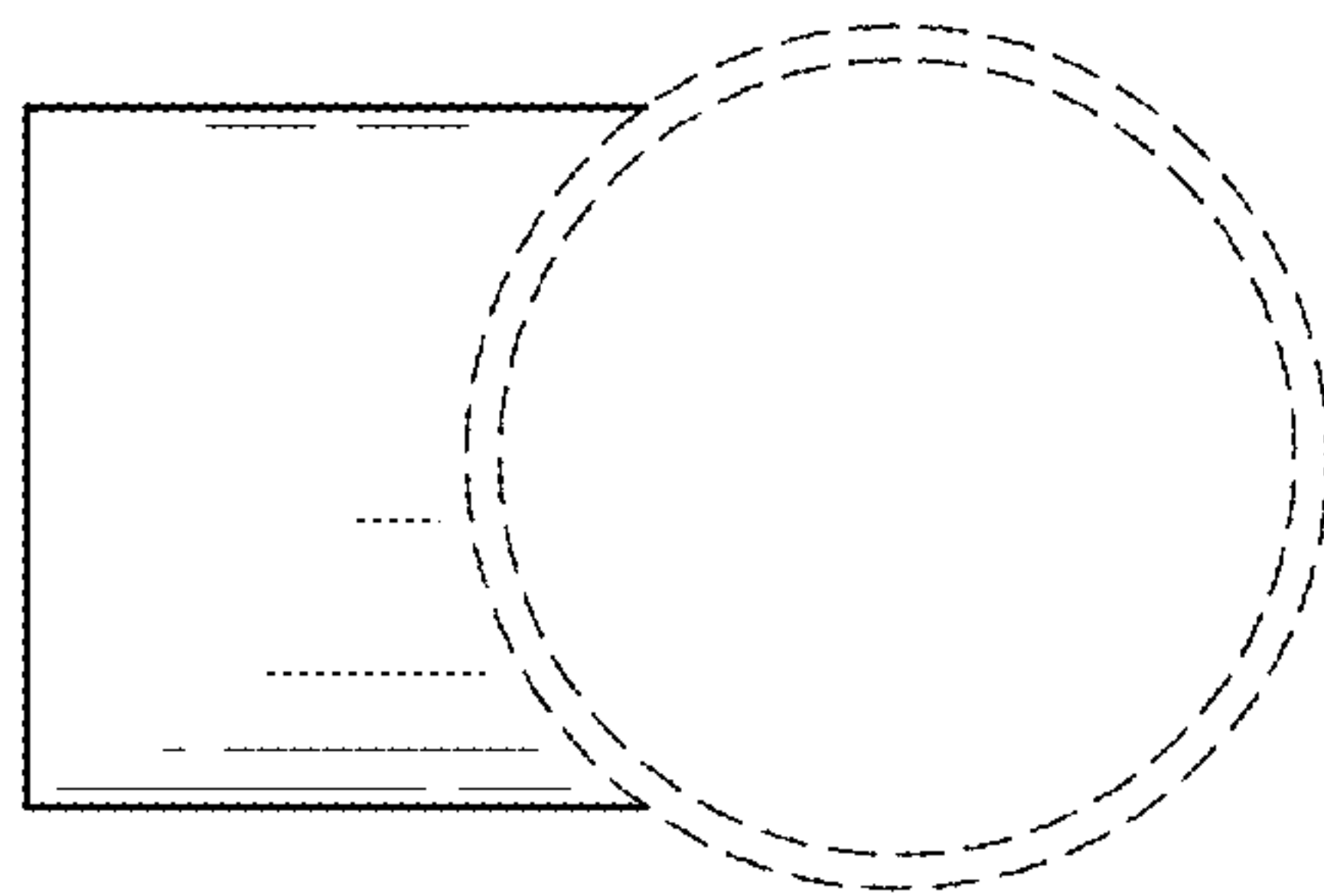


FIG. 7