



US00D803988S

(12) **United States Design Patent** (10) **Patent No.:** **US D803,988 S**  
**Niu et al.** (45) **Date of Patent:** **\*\* Nov. 28, 2017**

(54) **FAUCET**  
(71) Applicant: **Kohler (China) Investment Co., Ltd.**,  
Shanghai (CN)  
(72) Inventors: **Jimin Niu**, Beijing (CN); **Chia Ying Lee**,  
Chicago, IL (US); **Lun Cheak Tan**, Shanghai (CN)  
(73) Assignee: **KOHLER (CHINA) INVESTMENT CO., LTD.** (CN)

D589,124 S 3/2009 Soulier  
D589,125 S 3/2009 Soulier  
D605,258 S 12/2009 Rubin et al.  
D628,277 S 11/2010 Montgomery  
D665,053 S \* 8/2012 Wang ..... D23/238  
D689,595 S 9/2013 Georgeson  
D703,790 S 4/2014 Mazz et al.  
D720,432 S 12/2014 Hundley et al.  
D725,235 S \* 3/2015 Barber ..... D23/254  
D737,938 S \* 9/2015 Schoenherr ..... D23/242  
D787,020 S \* 5/2017 Ziemann ..... D23/238

\* cited by examiner

(\*\*) Term: **15 Years**

*Primary Examiner* — Robert A Delehanty  
(74) *Attorney, Agent, or Firm* — Foley & Lardner LLP

(21) Appl. No.: **29/566,366**

(57) **CLAIM**

(22) Filed: **May 27, 2016**

We claim the ornamental design for a faucet, as shown and described.

(51) **LOC (10) Cl.** ..... **23-01**

**DESCRIPTION**

(52) **U.S. Cl.**

USPC ..... **D23/241**

(58) **Field of Classification Search**

USPC ..... D23/238, 242–244, 249–250, 252,  
D23/254–255, 257; D7/107–108

CPC ..... E03C 1/04; E03C 1/0401; E03C 1/0402;  
E03C 1/0404; E03C 1/0405; E03C

1/0412; Y10T 137/9464

See application file for complete search history.

FIG. 1 is a top, front, left perspective view of an embodiment of the claimed design;  
FIG. 2 is a front elevation view thereof;  
FIG. 3 is a rear elevation view thereof;  
FIG. 4 is a top plan view thereof;  
FIG. 5 is a bottom plan view thereof;  
FIG. 6 is a right side elevation view thereof; and,  
FIG. 7 is a left side elevation view thereof.

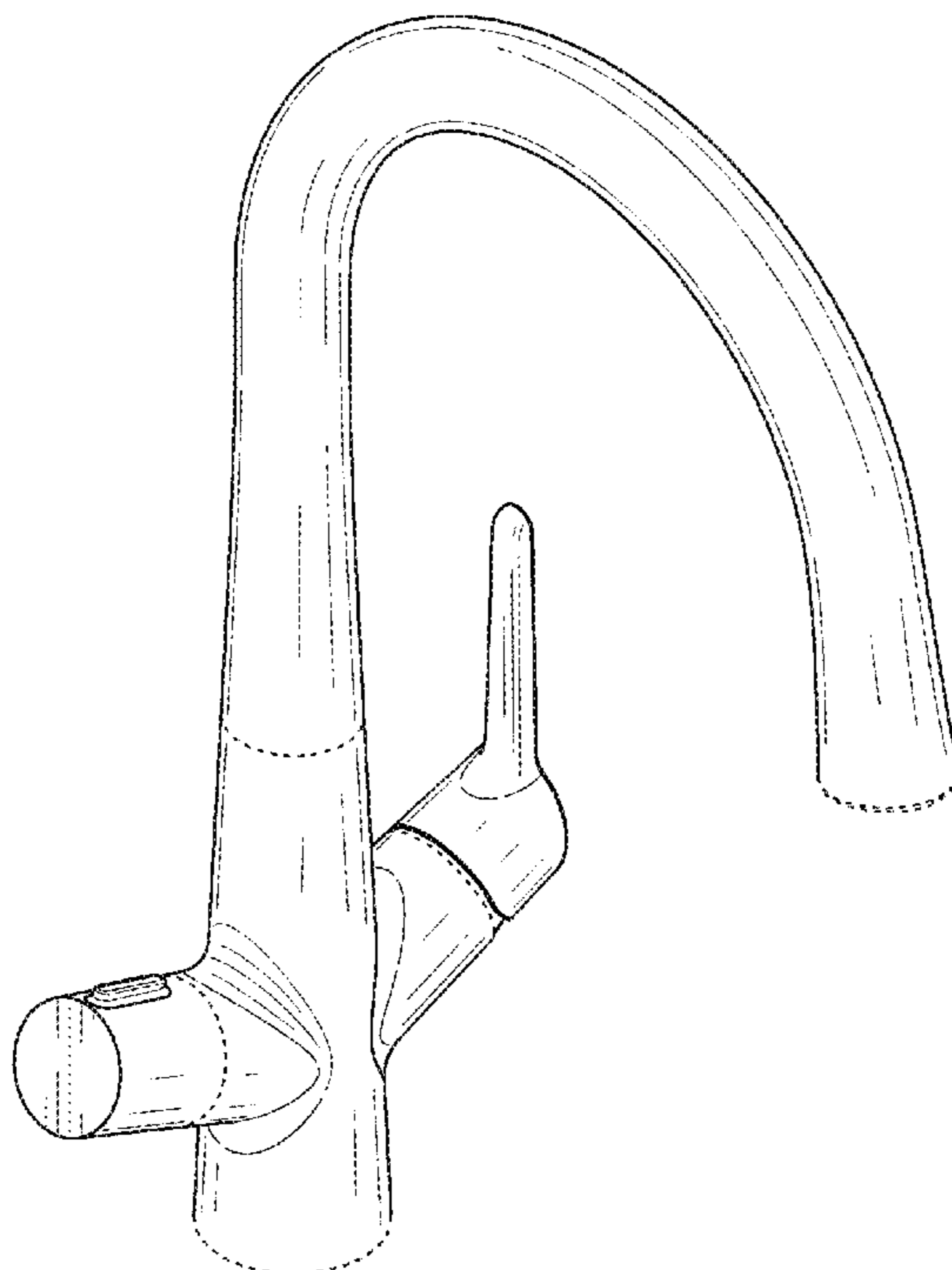
The ornamental design which is claimed is shown in solid lines in the drawings. The broken lines in the drawings are for illustrative purposes only and form no part of the claimed design. Broken lines formed by equal length dashes in the drawings illustrate unclaimed portions of the design.

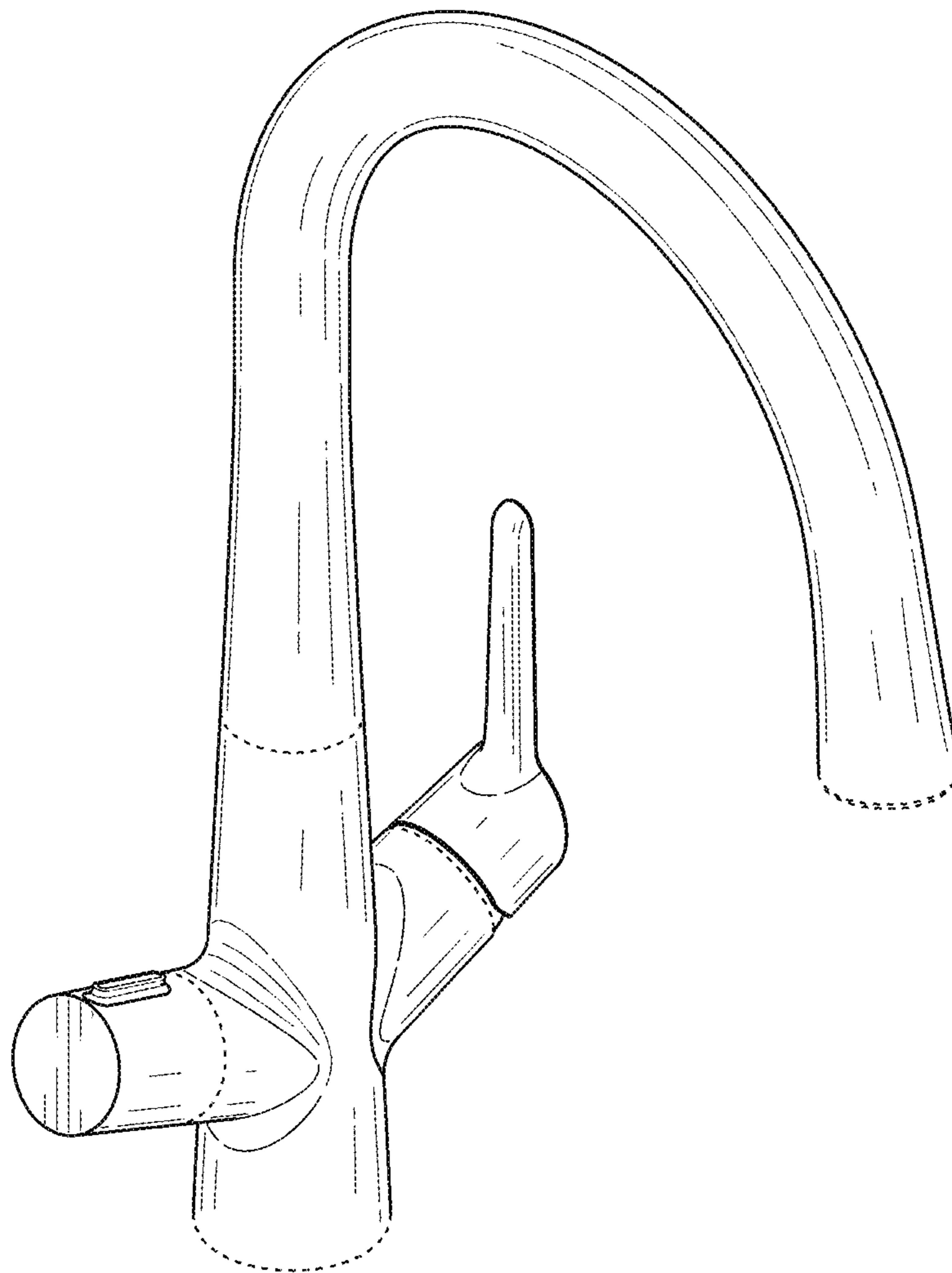
(56) **References Cited**

**U.S. PATENT DOCUMENTS**

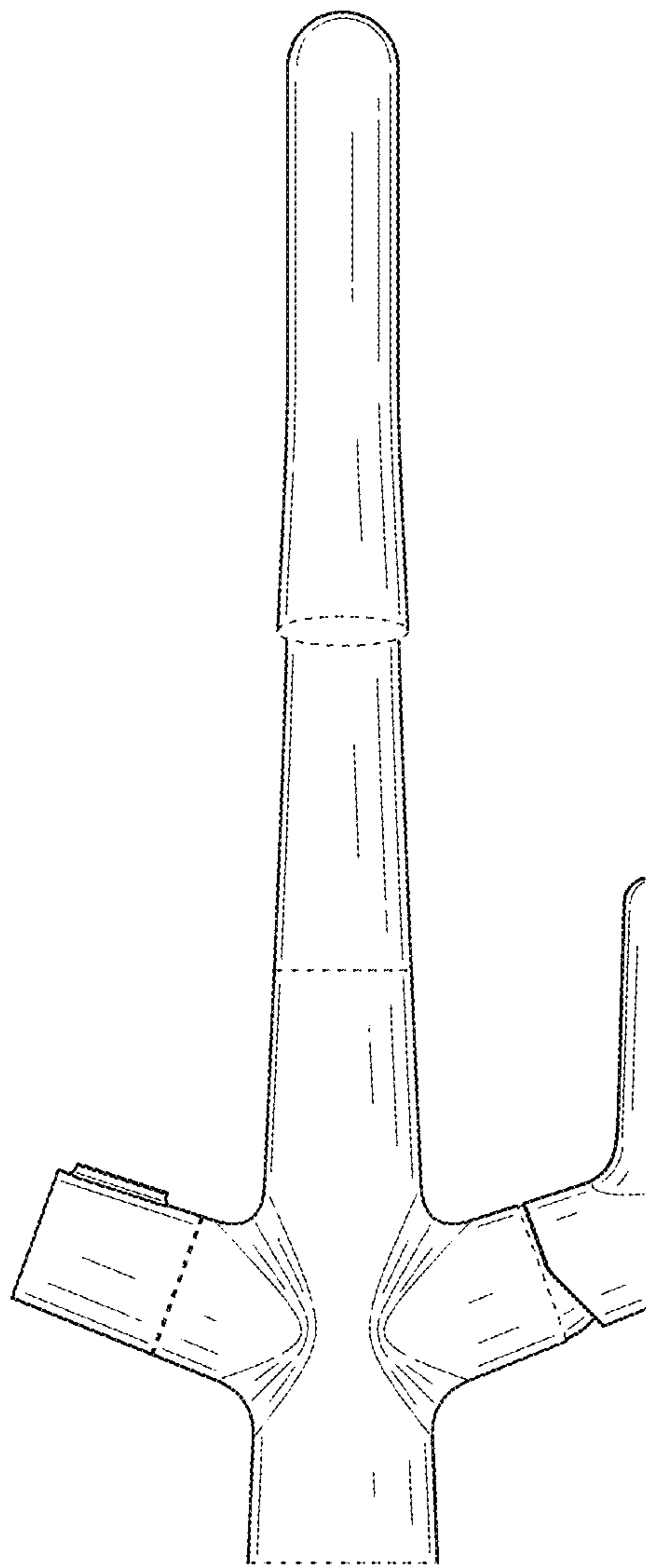
D425,181 S \* 5/2000 Lewis ..... D23/254  
D527,076 S \* 8/2006 Kolin ..... D23/241  
D573,696 S 7/2008 Eilmus  
D576,707 S \* 9/2008 Schonherr ..... D23/238

**1 Claim, 7 Drawing Sheets**

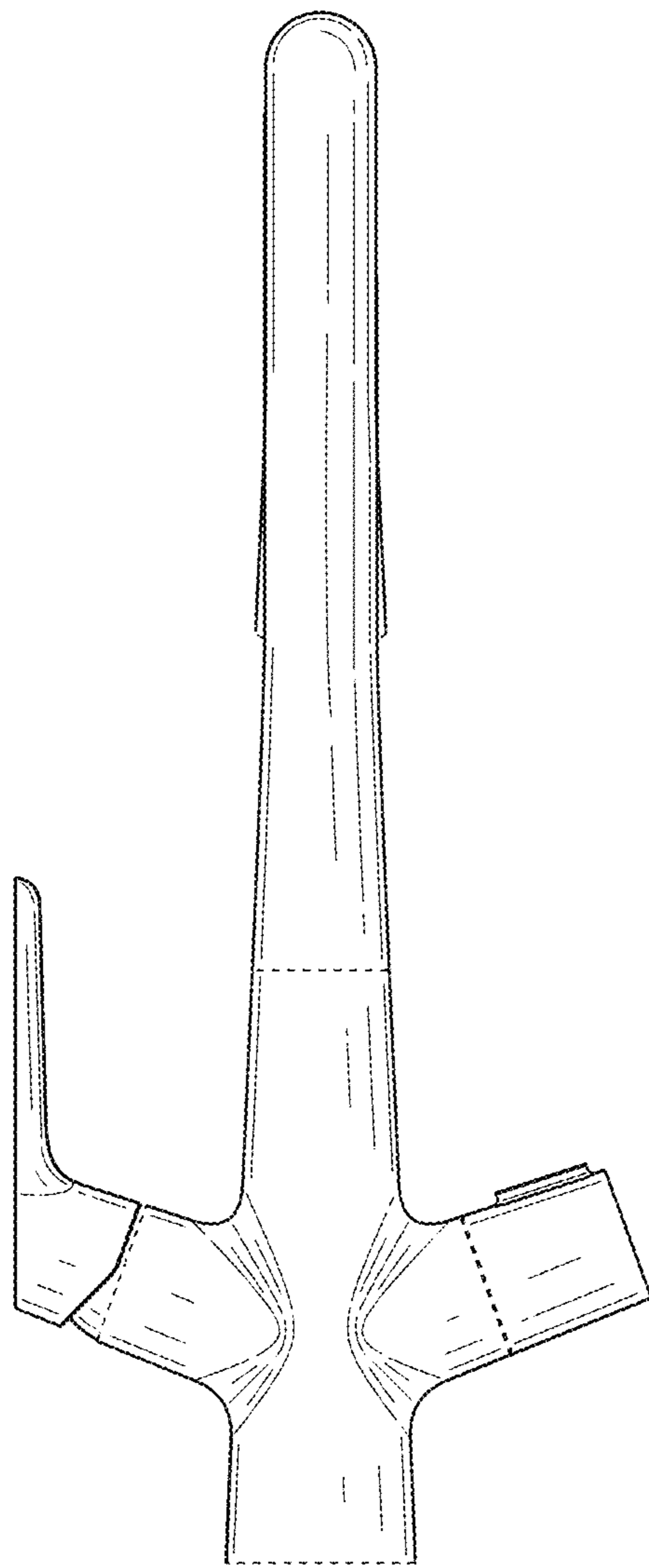




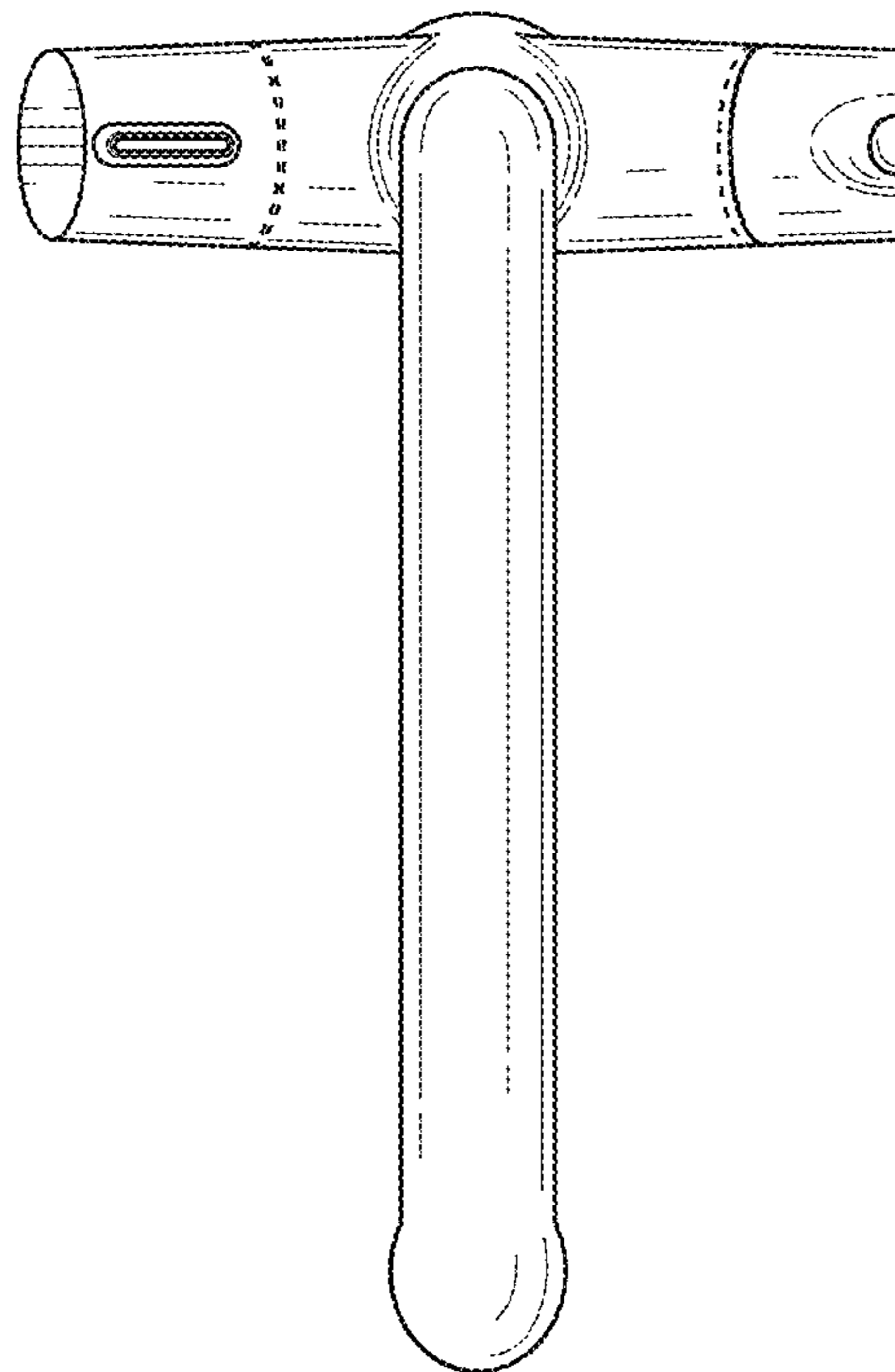
**FIG. 1**



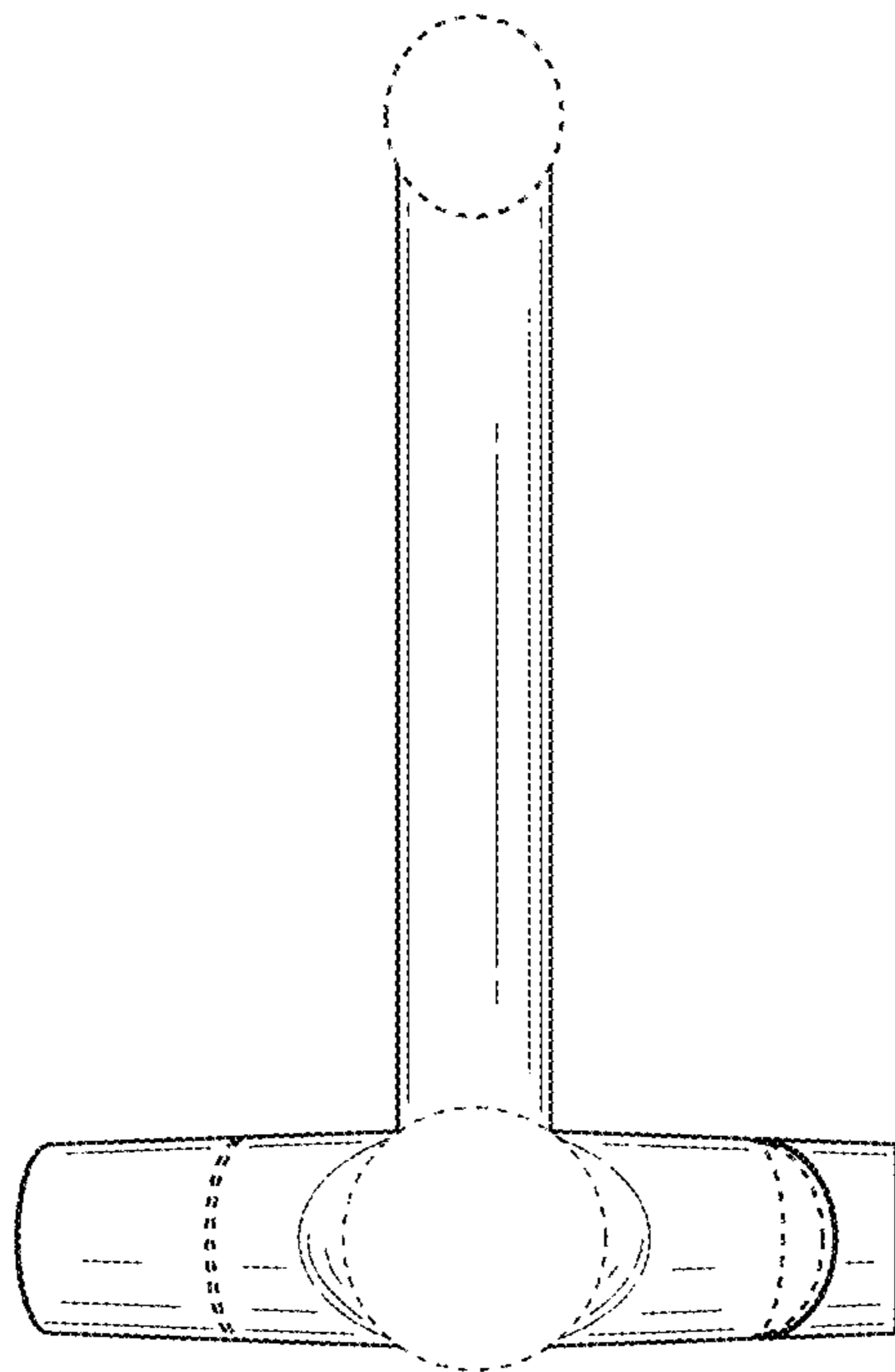
**FIG. 2**



**FIG. 3**



**FIG. 4**



**FIG. 5**

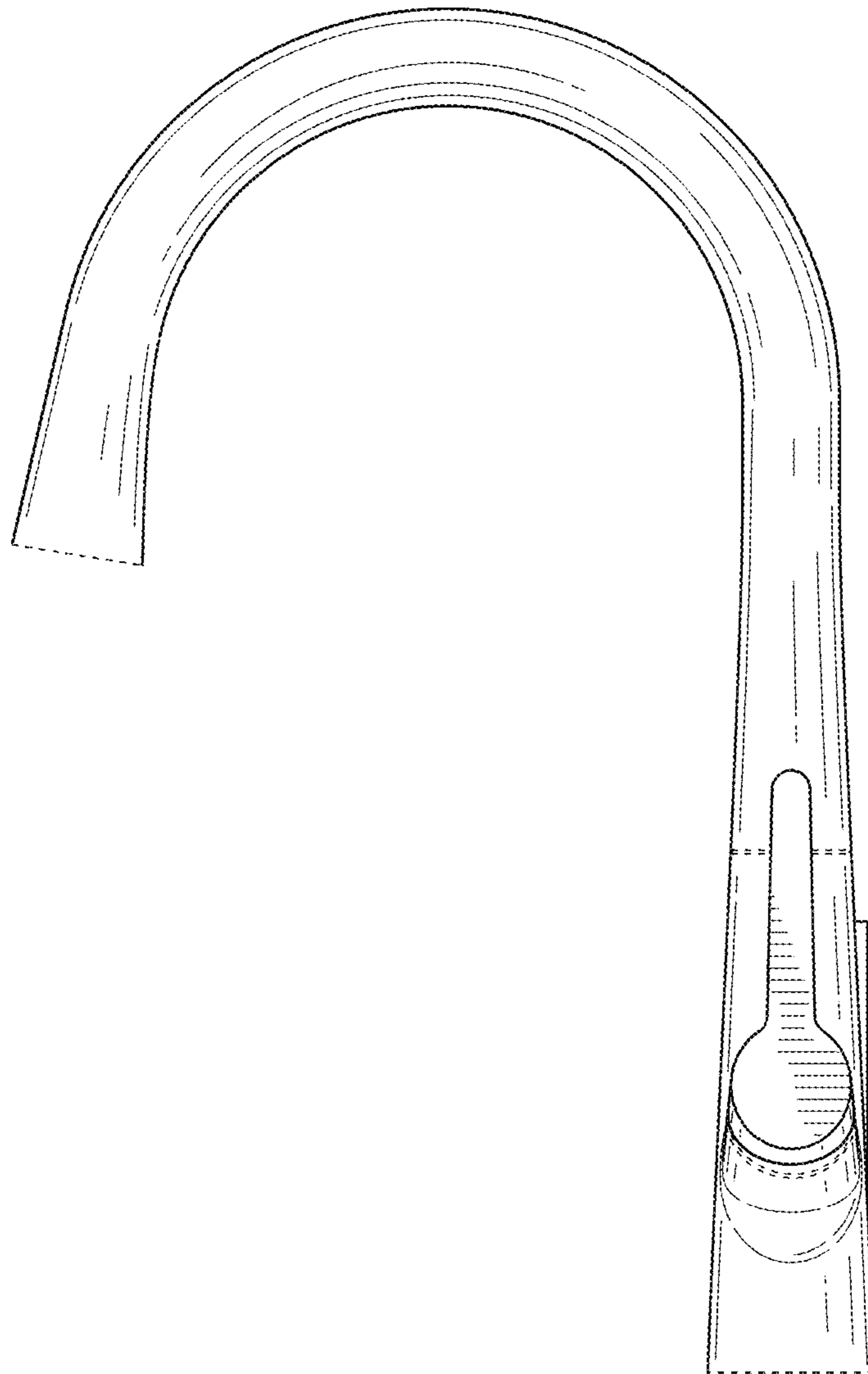
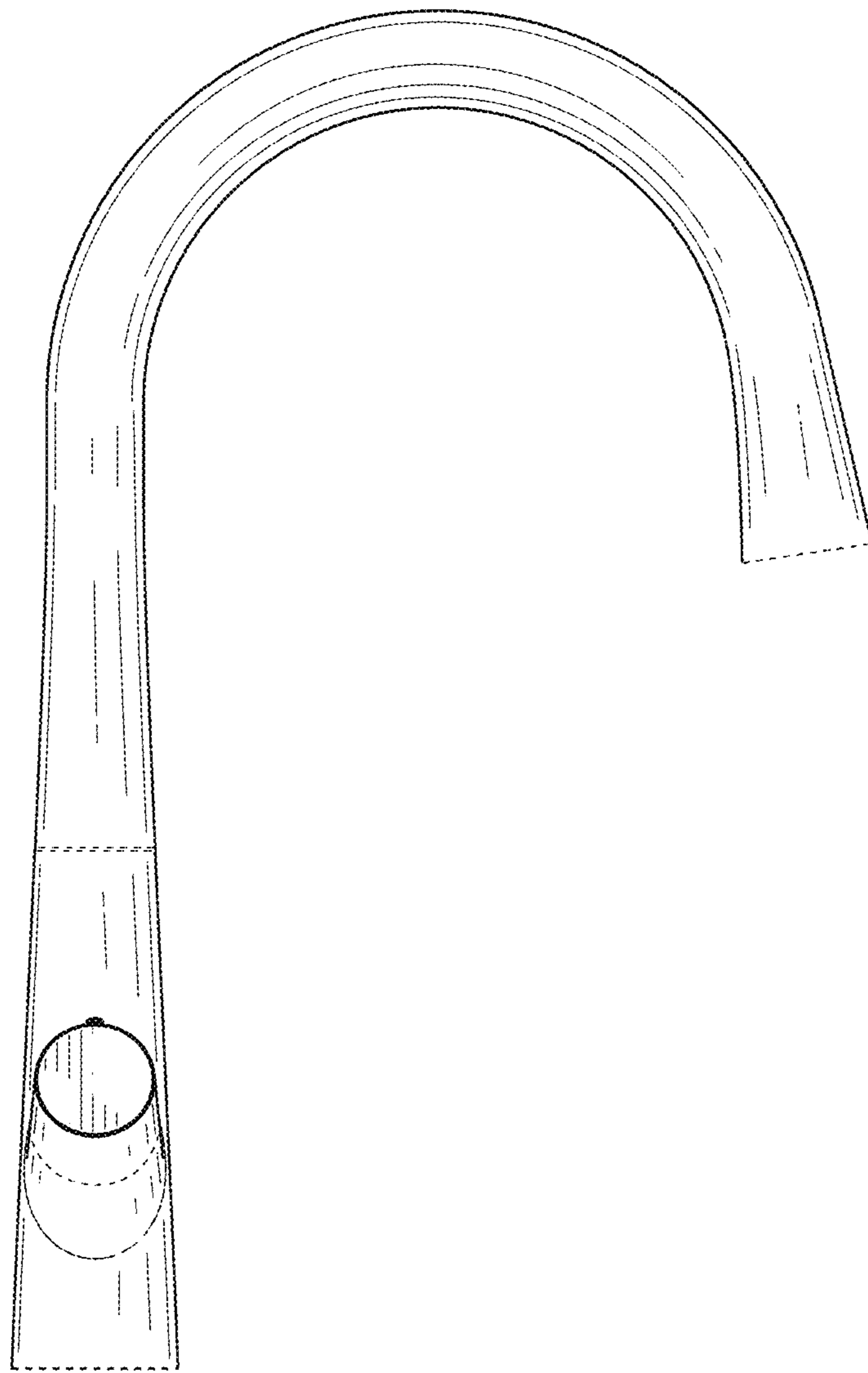


FIG. 6



**FIG. 7**