



US00D803987S

(12) **United States Design Patent** (10) **Patent No.:** **US D803,987 S**
Ruzza (45) **Date of Patent:** **** Nov. 28, 2017**

(54) **FAUCET**

(71) Applicant: **Hamat Marketing & Design Ltd.,**
Ashdod (IL)

(72) Inventor: **Daniele Ruzza, Rieti (IT)**

(73) Assignee: **HAMAT MARKETING & DESIGN LTD.,** Ashdod (IL)

(**) Term: **15 Years**

(21) Appl. No.: **29/560,108**

(22) Filed: **Apr. 4, 2016**

(51) **LOC (10) Cl.** **23-01**

(52) **U.S. Cl.**
USPC **D23/239; D23/238**

(58) **Field of Classification Search**
USPC **D23/238-239, 241-243, 249-250, 252, D23/254-255, 257; D8/107-108**
CPC **E03C 1/04; E03C 1/0404; E03C 1/0405; E03C 2001/0414; E03C 2001/0415; E03C 2001/0417; Y10T 137/9464**
See application file for complete search history.

(56) **References Cited**

U.S. PATENT DOCUMENTS

7,104,473 B2 * 9/2006 Bosio E03C 1/0404
239/445
D534,245 S * 12/2006 Egli D23/238

D607,974 S * 1/2010 Flowers D23/238
D615,623 S * 5/2010 Krause D23/239
D715,406 S * 10/2014 Bomatter D23/238
D754,295 S * 4/2016 Lord D23/238
D754,296 S * 4/2016 Lord D23/238

* cited by examiner

Primary Examiner — Robert A Delehanty

(74) *Attorney, Agent, or Firm* — JMB Davis Ben-David

(57) **CLAIM**

The ornamental design for a faucet, as shown and described.

DESCRIPTION

FIG. 1 is a front view of the faucet;
FIG. 2 is a rear view thereof;
FIG. 3 is a right side view thereof;
FIG. 4 is a left side view thereof;
FIG. 5 is a bottom view thereof;
FIG. 6 is a top view thereof;
FIG. 7 is a perspective view thereof;
FIG. 8 is another perspective view thereof;
FIG. 9 is a perspective view thereof, showing a pull-up spraying-unit of the faucet in an extended position;
FIG. 10 is another perspective view thereof;
FIG. 11 is yet another perspective view thereof; and,
FIG. 12 is still another perspective view thereof.

1 Claim, 12 Drawing Sheets

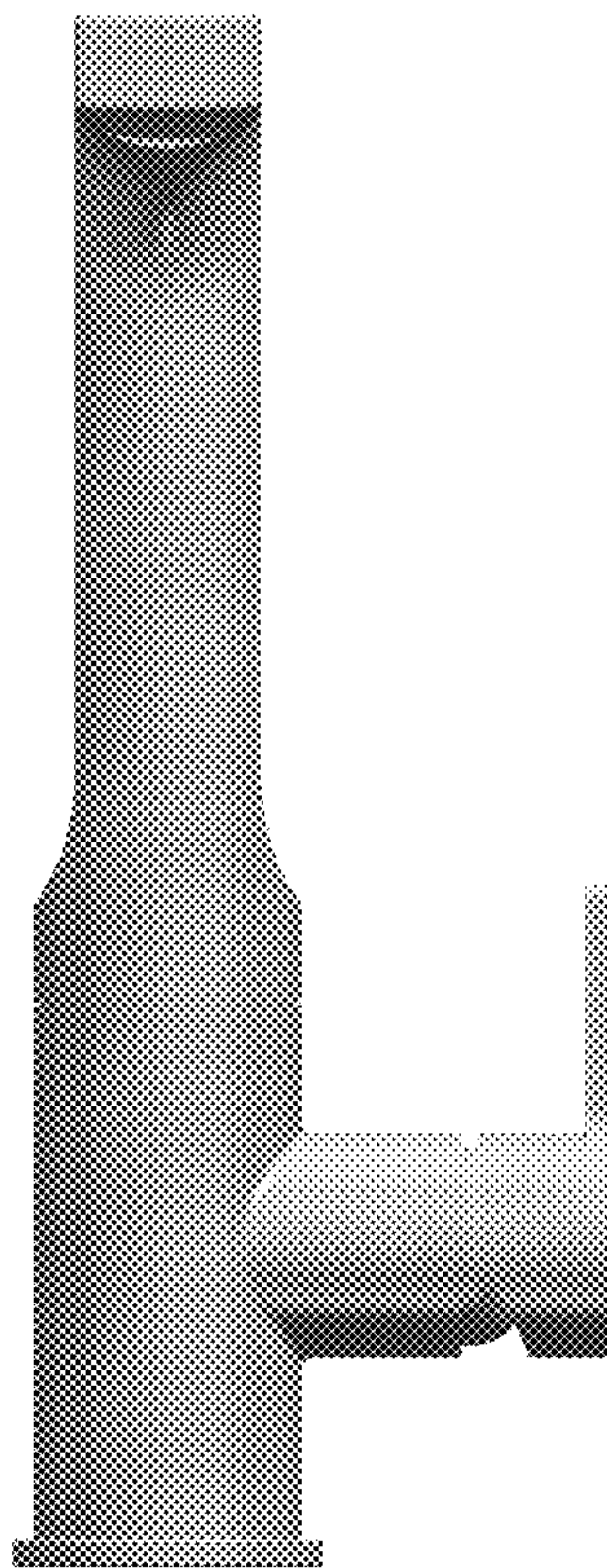




FIG. 1

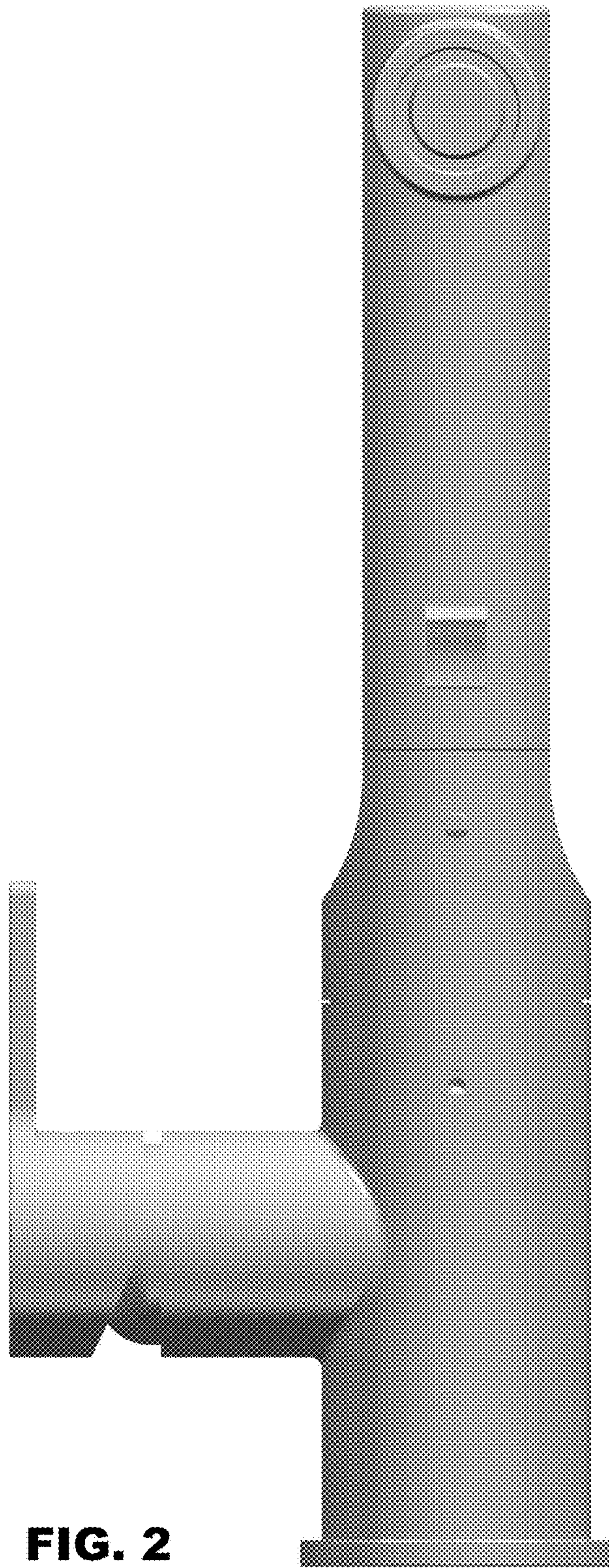


FIG. 2

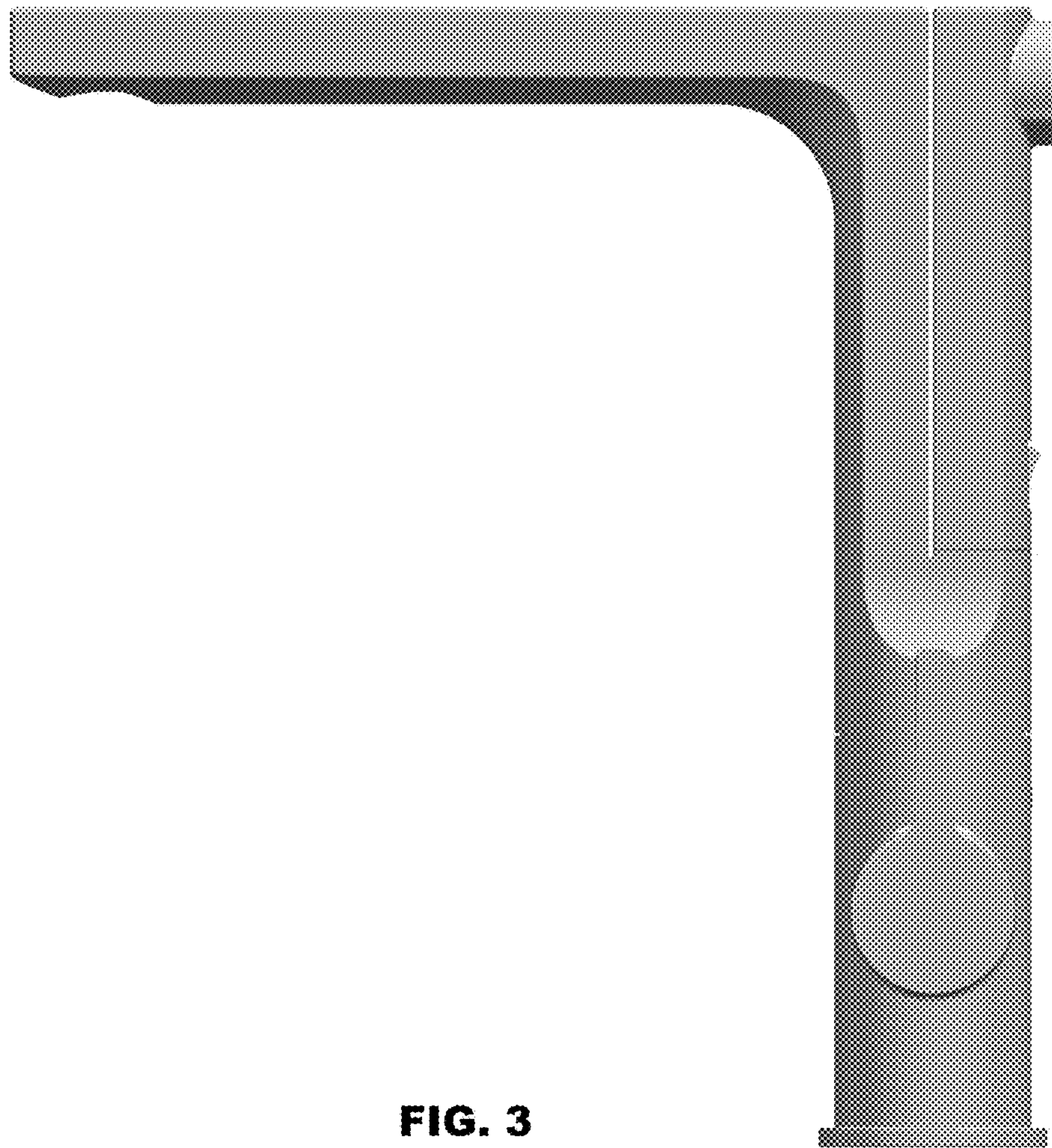


FIG. 3

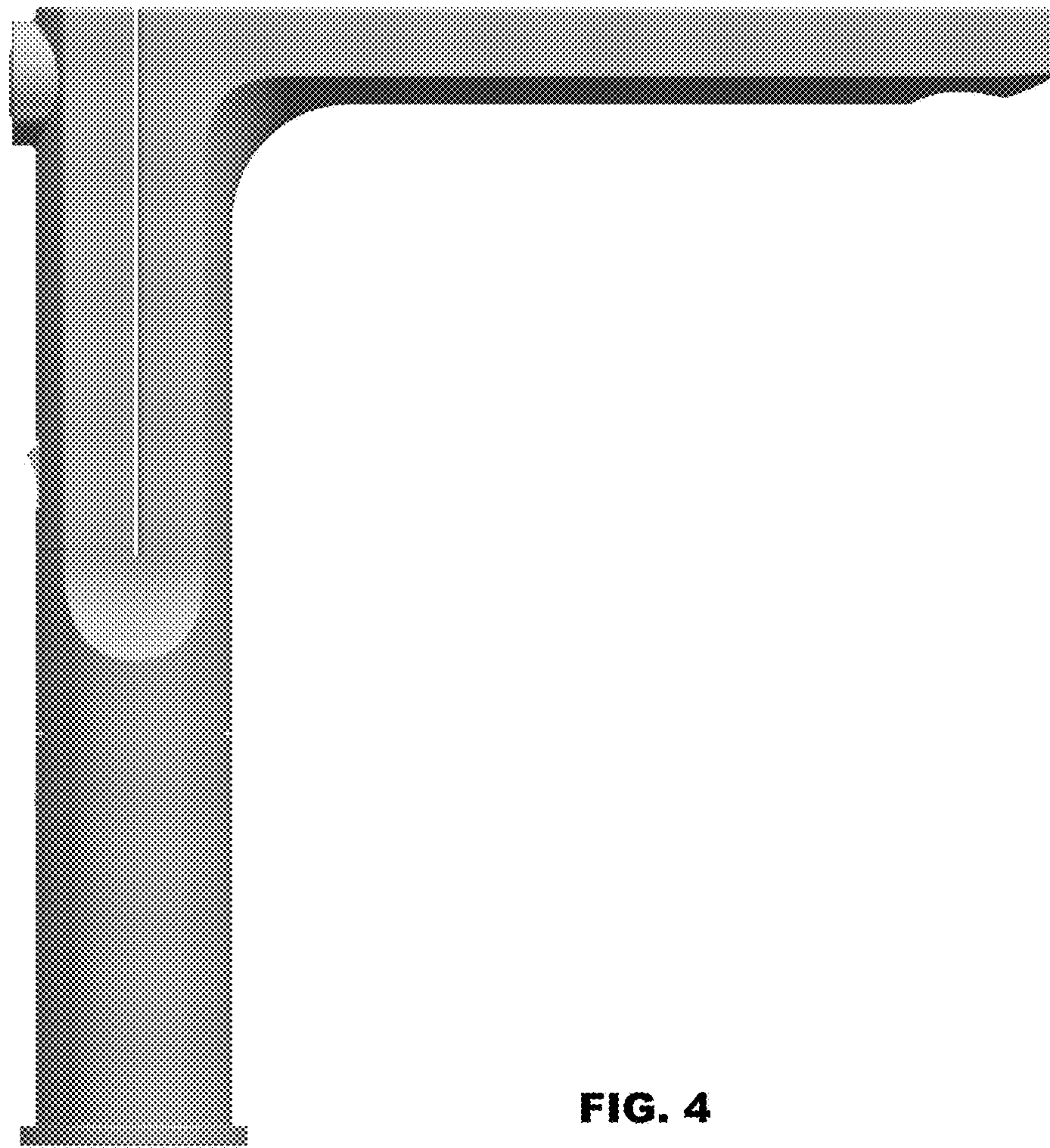


FIG. 4

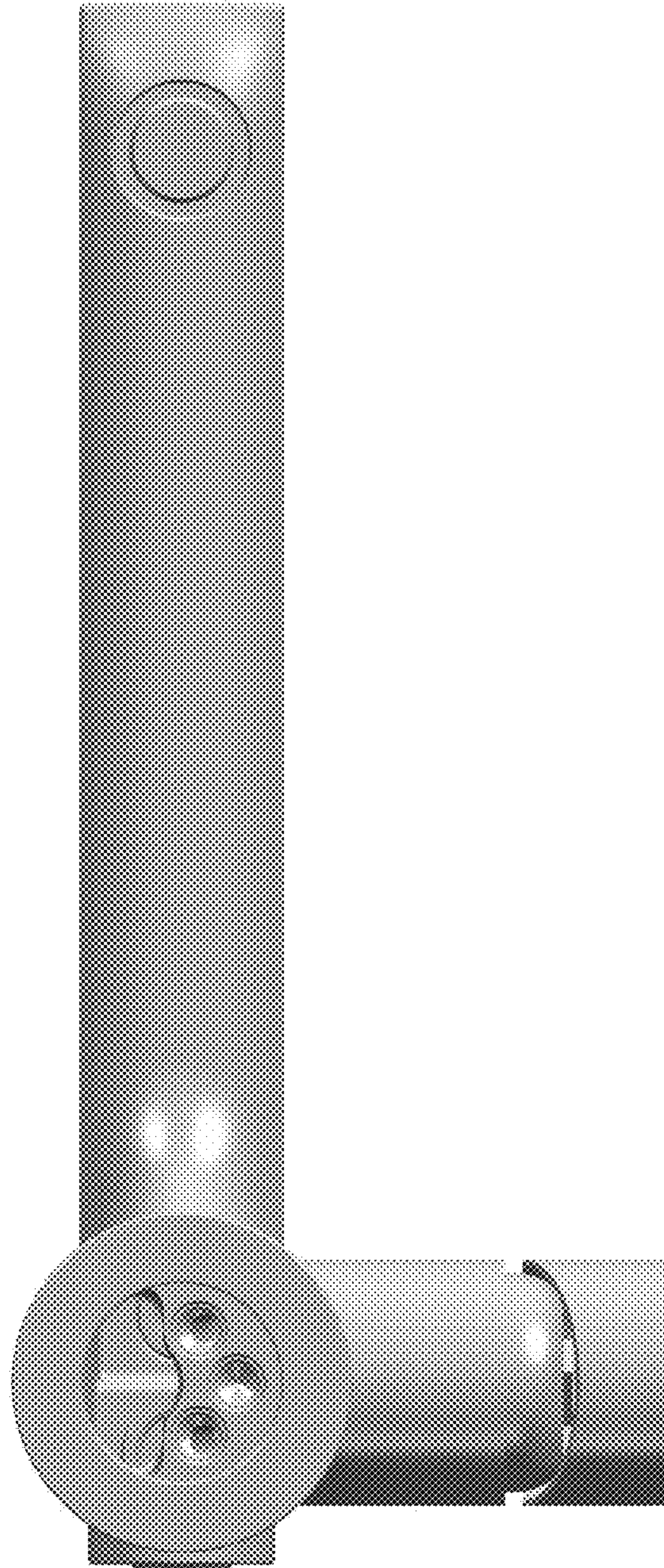


FIG. 5

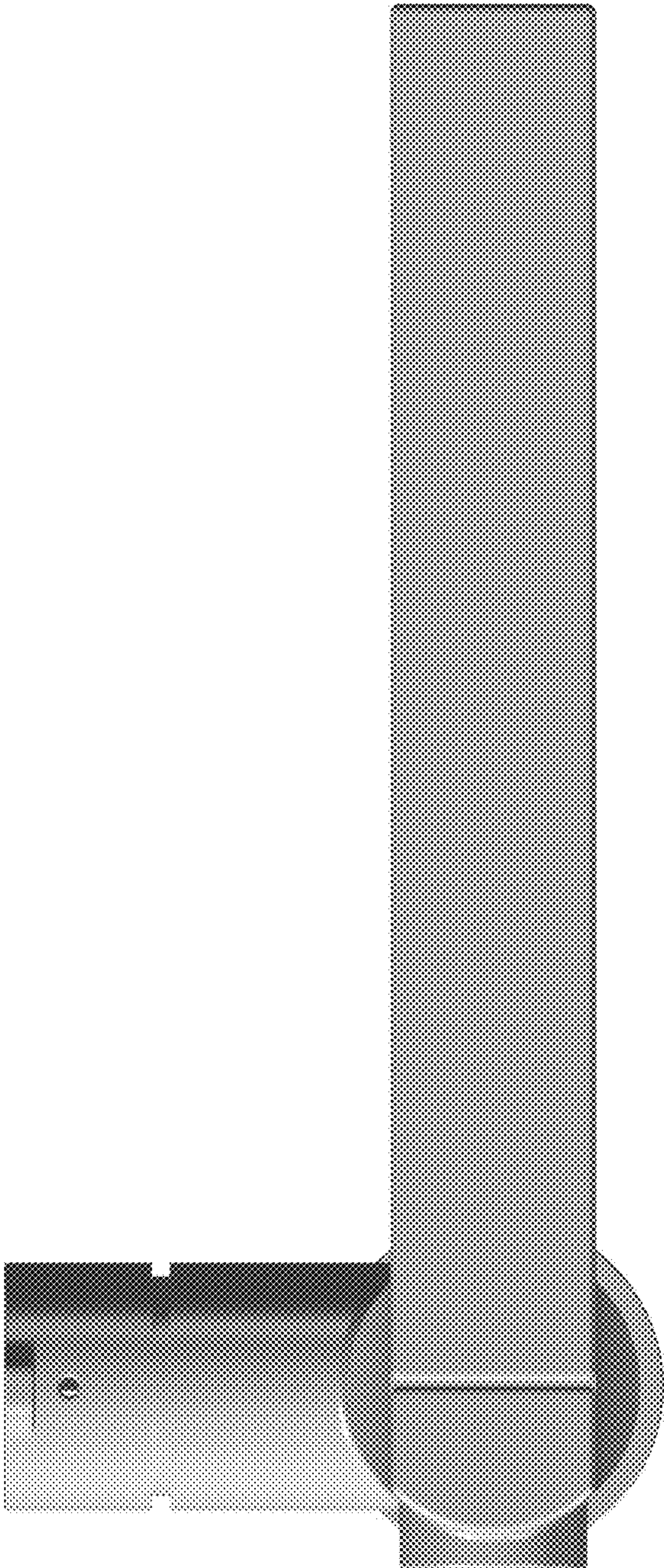


FIG. 6

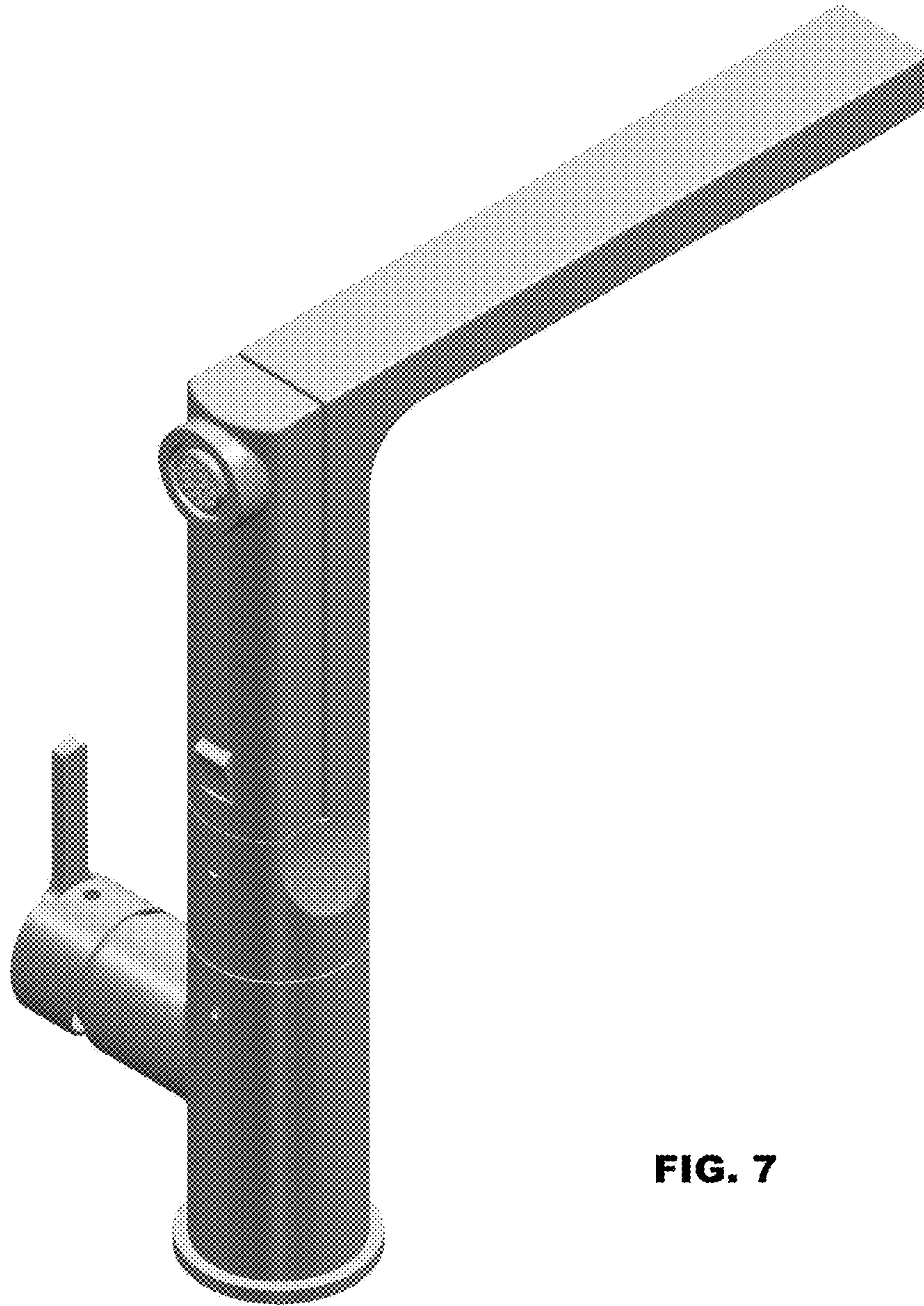


FIG. 7

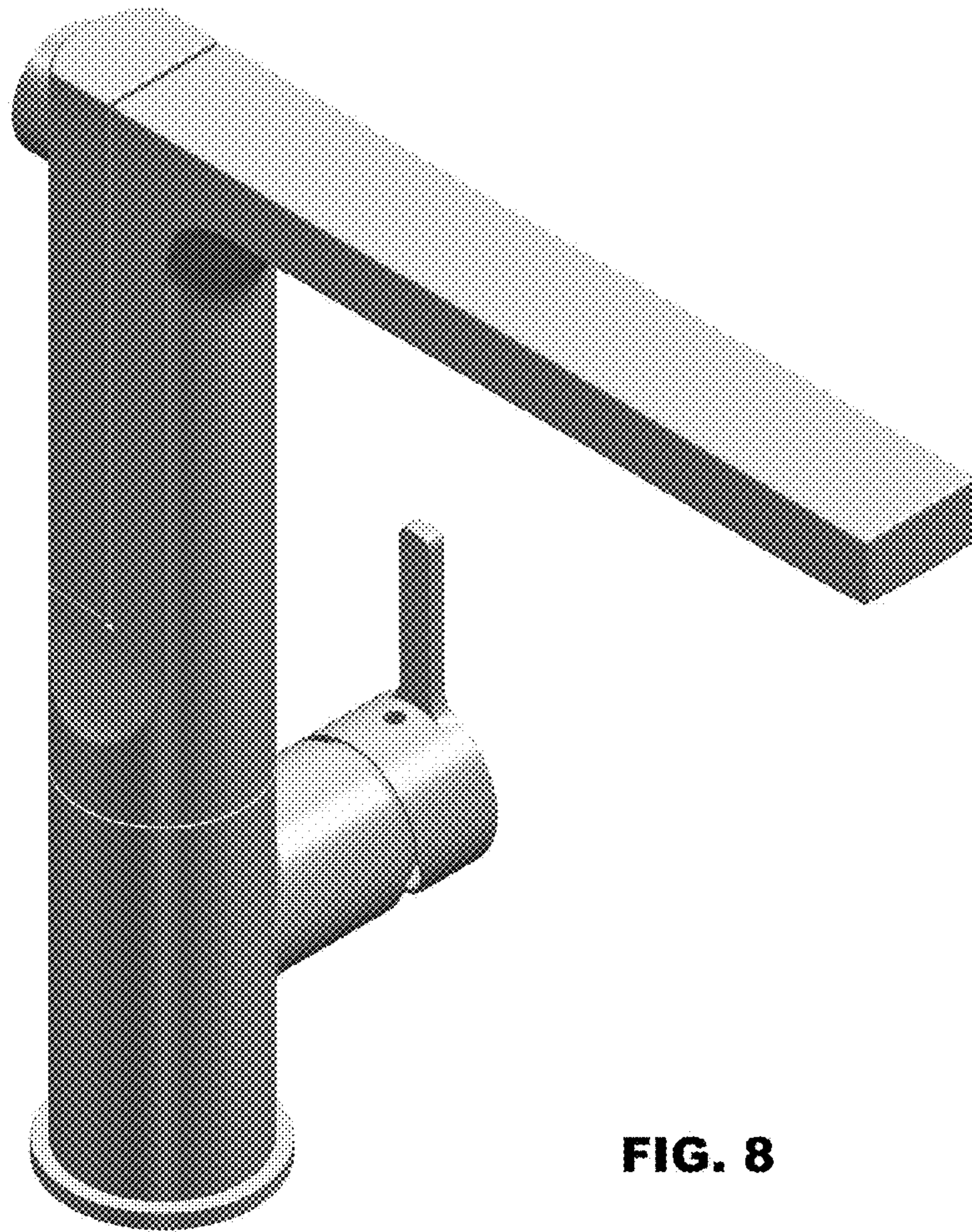


FIG. 8

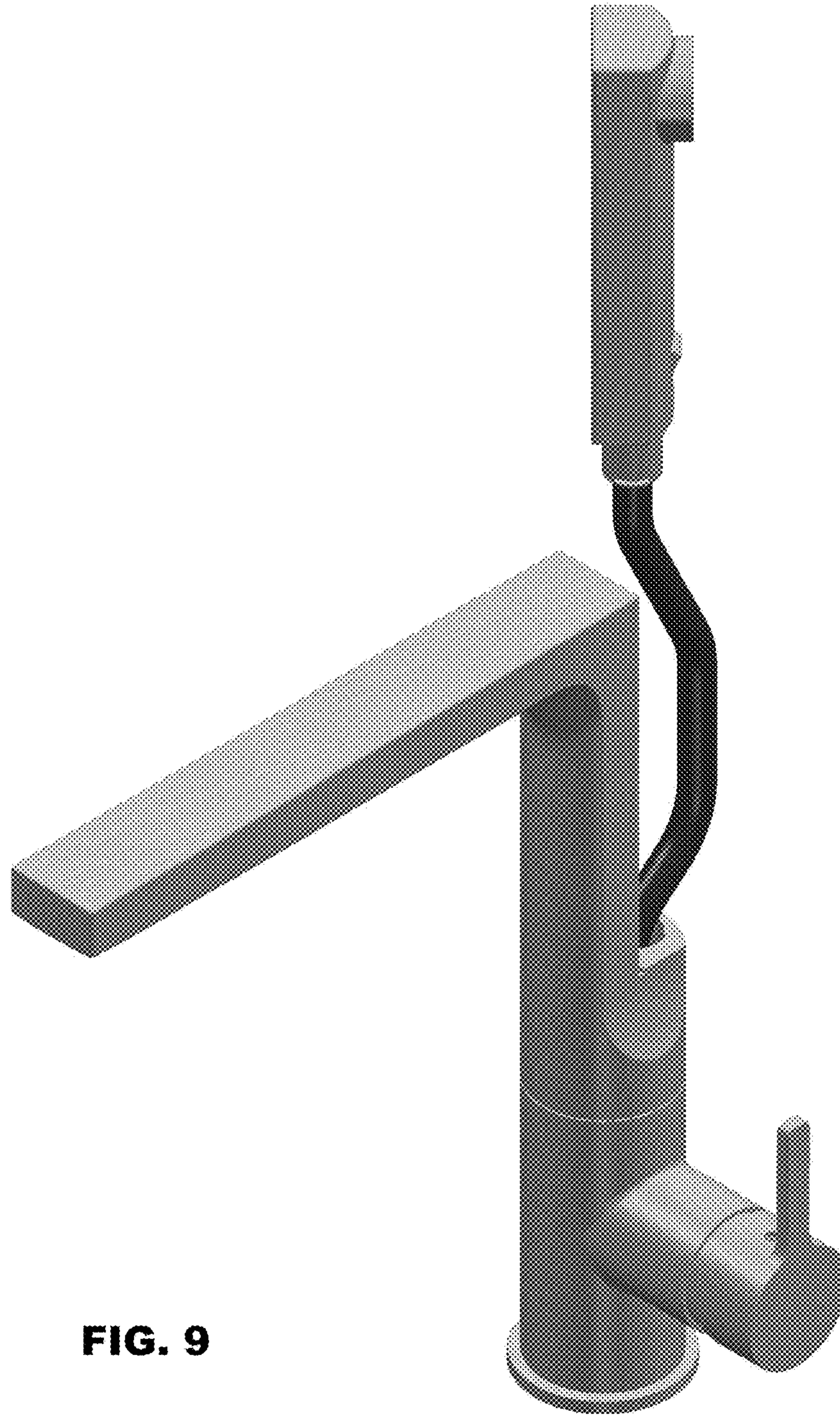


FIG. 9

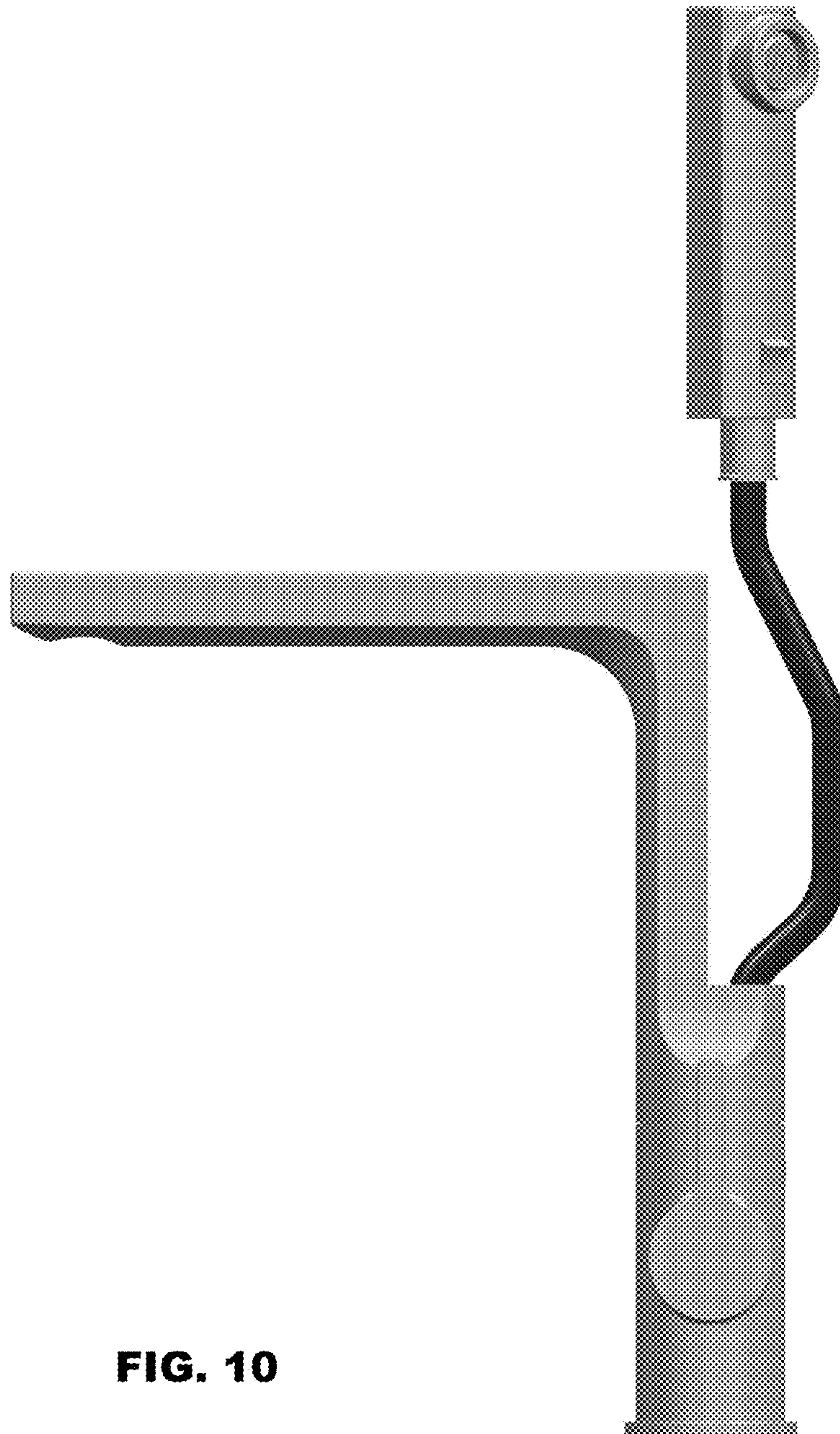


FIG. 10

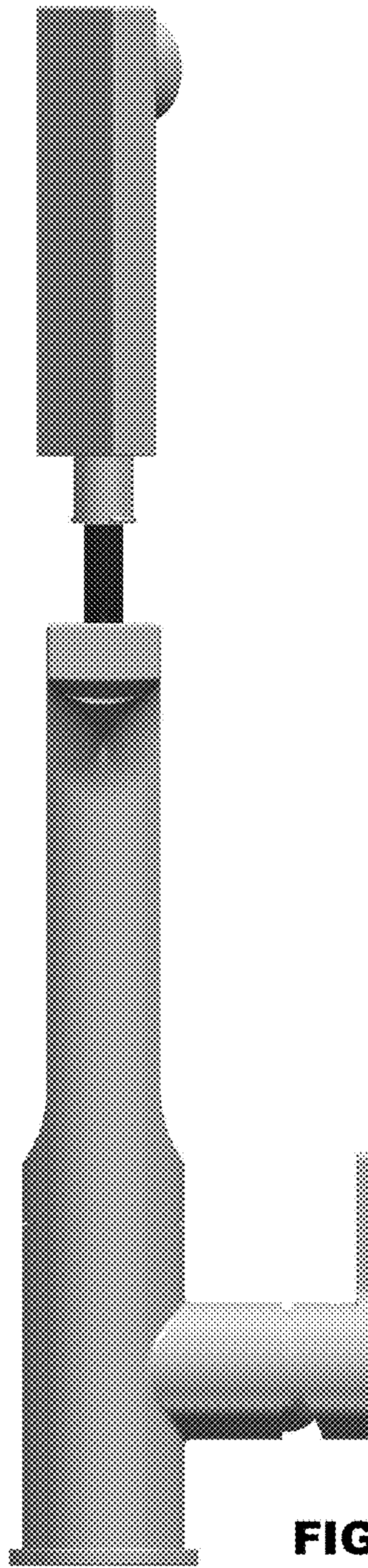


FIG. 11

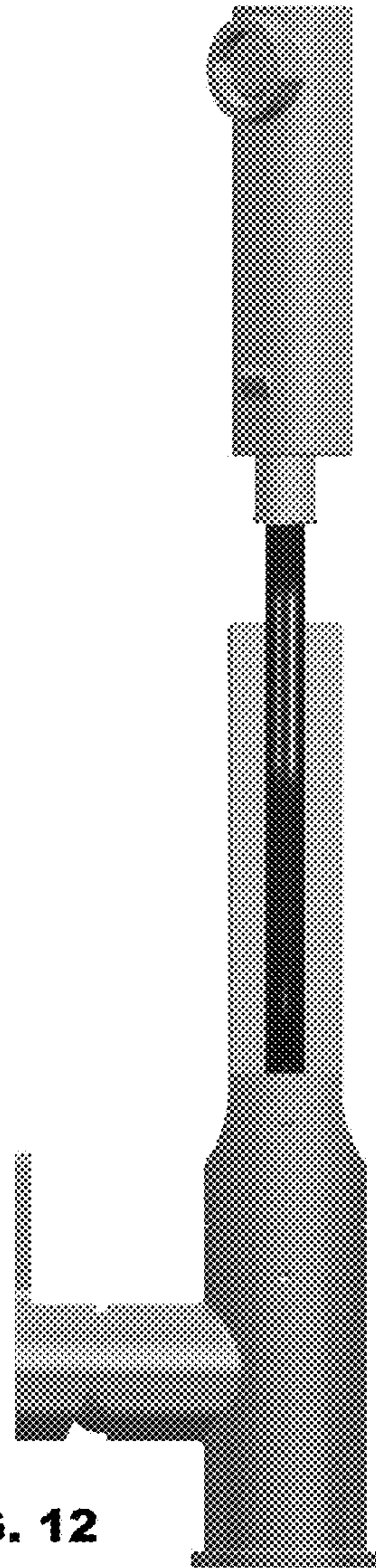


FIG. 12