



US00D803985S

(12) **United States Design Patent** (10) **Patent No.:** **US D803,985 S**  
**Yung** (45) **Date of Patent:** **\*\* Nov. 28, 2017**

(54) **BALL VALVE WITH INTEGRAL ELBOW**

(56) **References Cited**

(71) Applicant: **Eastern Foundry & Fitting Inc.**,  
Richmond Hill (CA)  
(72) Inventor: **Jacky Chi Pang Yung**, Richmond Hill  
(CA)  
(73) Assignee: **EASTERN FOUNDRY & FITTINGS**  
**INC.**, Richmond Hill (CA)

U.S. PATENT DOCUMENTS

D481,106	S	*	10/2003	Pelletz	.....	D23/245
D499,172	S	*	11/2004	Tripp	.....	D23/245
D517,172	S	*	3/2006	Tripp	.....	D23/245
D686,298	S	*	7/2013	Ching	.....	D23/233
D753,268	S	*	4/2016	Nishimura	.....	D23/233
D754,290	S	*	4/2016	Roden	.....	D23/233
D755,348	S	*	5/2016	Mitsuoka	.....	D23/233
D762,819	S	*	8/2016	Shishido	.....	D23/235
D771,715	S	*	11/2016	Varini	.....	D15/7
2013/0000763	A1	*	1/2013	Haunhorst	.....	F16L 37/36 137/614.01

(\*\*) Term: **15 Years**

(21) Appl. No.: **29/556,943**

\* cited by examiner

(22) Filed: **Mar. 4, 2016**

*Primary Examiner* — Cynthia Ramirez

(51) **LOC (10) Cl.** ..... **23-01**

*Assistant Examiner* — Michael Maharajh

(52) **U.S. Cl.**  
USPC ..... **D23/233**

(74) *Attorney, Agent, or Firm* — Elan IP Inc.

(58) **Field of Classification Search**  
USPC ..... D23/233, 234, 235, 236, 237, 238, 239,  
D23/240, 241, 242, 243, 24, 245, 246,  
D23/247, 248, 249, 250, 259, 255;  
D15/7, 199; 4/249, 255.03, 300, 305,  
4/319, 323, 325, 378, 392–396, 420, 427,  
4/431–435, 437, 438, 440–442, 661;  
137/1, 50, 57, 61, 61.1, 357, 115.23,  
137/596.14, 599.07, 487.5, 271, 269,  
137/625.64, 343, 882, 560, 557, 554,  
137/614.01; 251/331, 291, 15, 129.04,  
251/129.15, 129.01, 30.04, 25, 38, 28, 41,  
251/172; 239/585.1  
CPC ..... F16K 31/0675; F16K 13/02; F16K 15/02;  
F16K 15/063; F16K 17/003; F15B  
13/0817; F15B 13/0828; F15B 13/0839;  
F15B 13/0846; F15B 13/0857; F15B  
13/0875; F15B 20/00; F15B 13/0814;  
F15B 13/0821; F15B 13/0832; F16L  
29/00; F24F 11/04; F24F 13/10

See application file for complete search history.

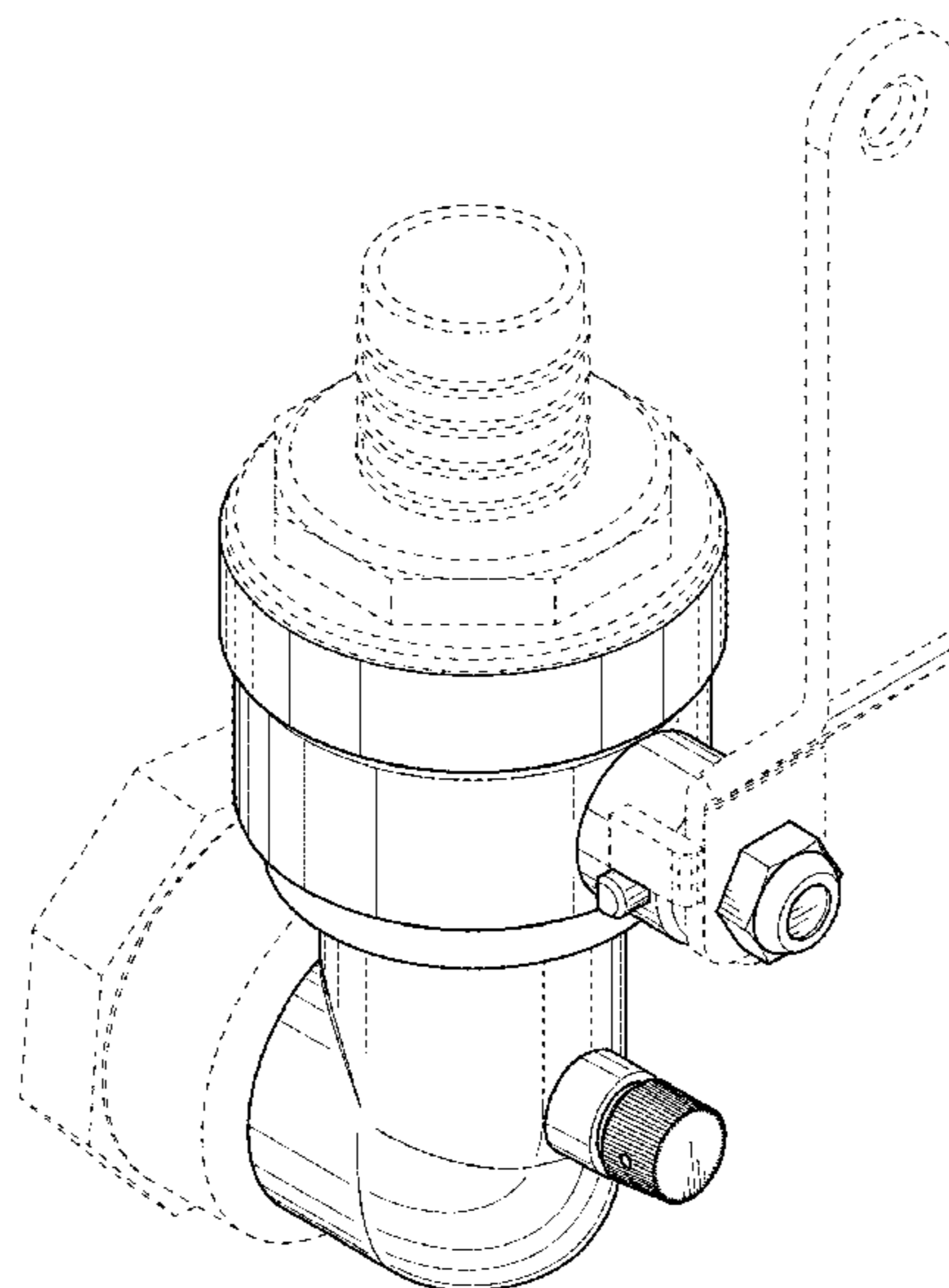
(57) **CLAIM**

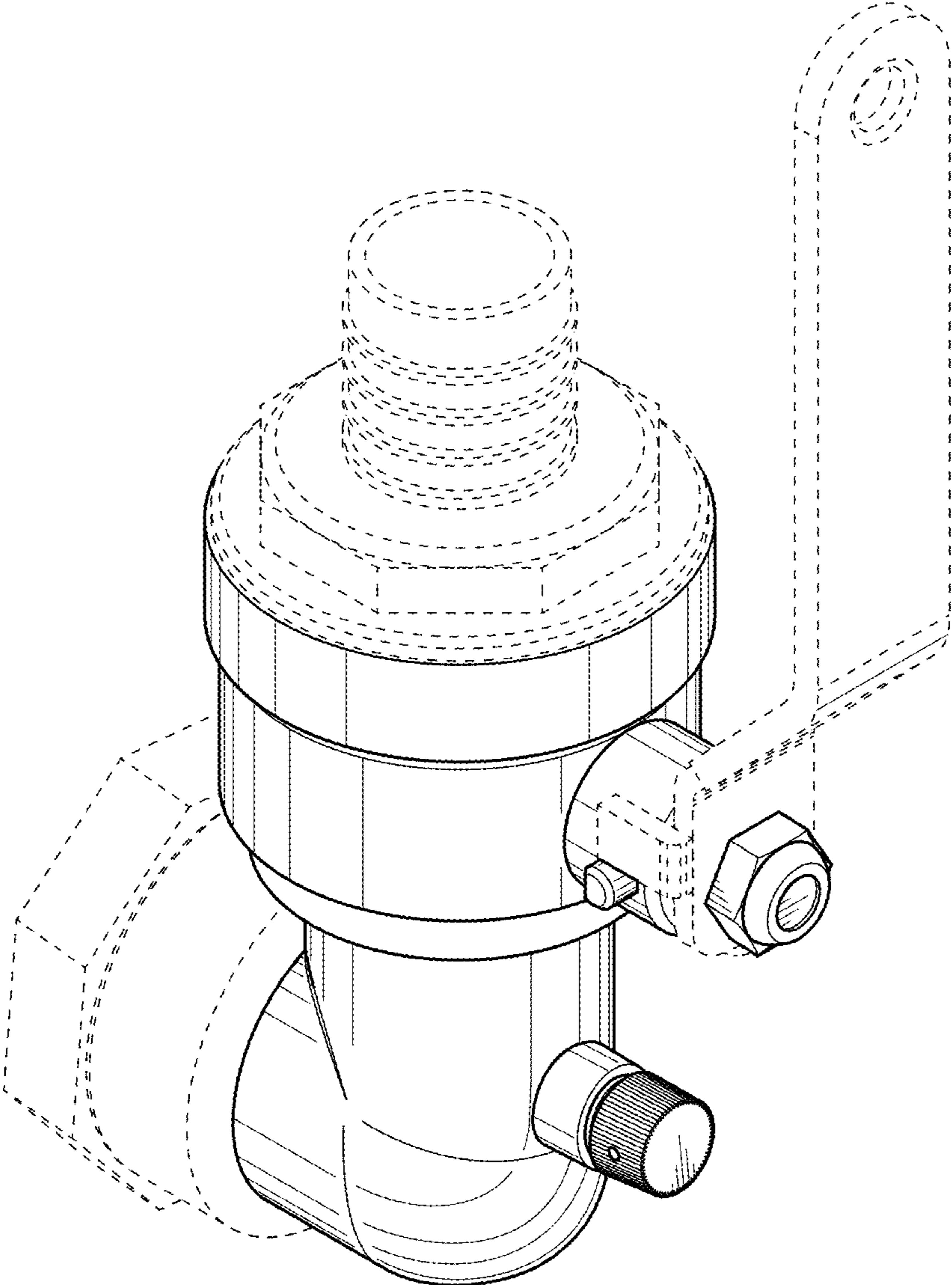
The ornamental design for a ball valve with integral elbow,  
as shown and described.

**DESCRIPTION**

FIG. 1 is a perspective view of a ball valve with integral  
elbow, showing my new design;  
FIG. 2 is a bottom plan view thereof;  
FIG. 3 is a top plan view thereof;  
FIG. 4 is a left-side elevation view thereof;  
FIG. 5 is a right-side elevation view thereof;  
FIG. 6 is a rear elevation view thereof; and,  
FIG. 7 is a front elevation view thereof.  
The broken lines shown in the figures are for the purpose of  
illustrating portions of the ball valve with integral elbow and  
form no part of the claimed design.

**1 Claim, 7 Drawing Sheets**





**Fig. 1**

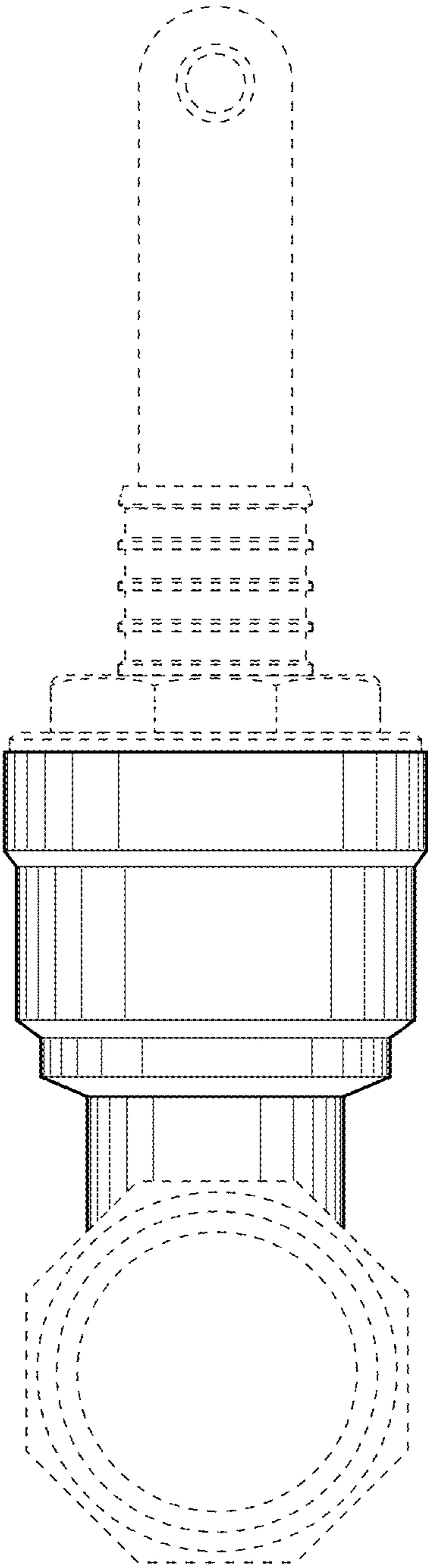
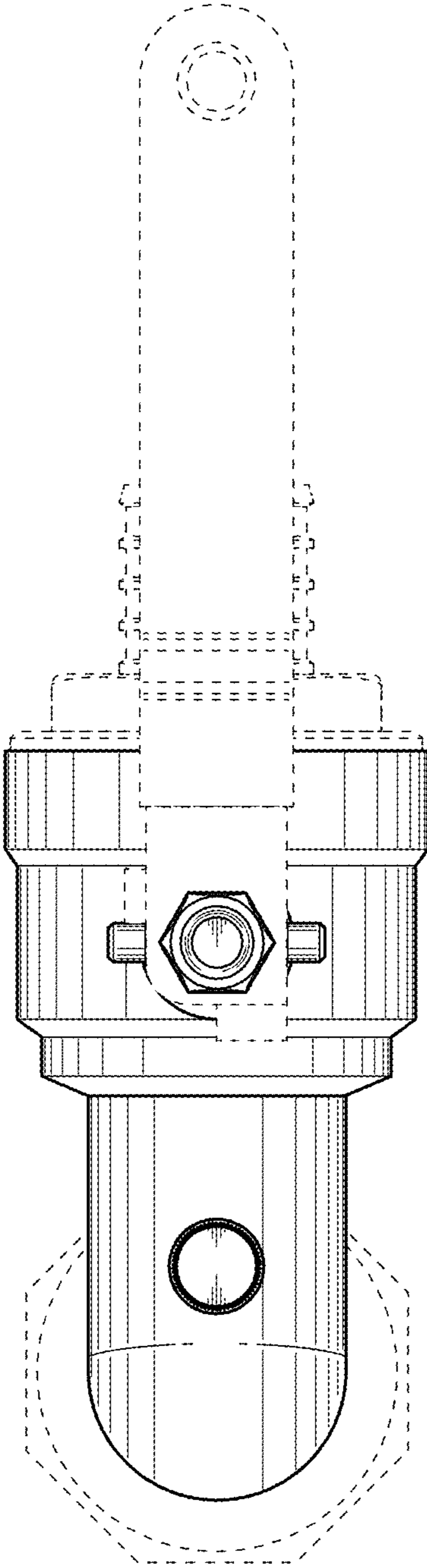


Fig. 2



**Fig. 3**

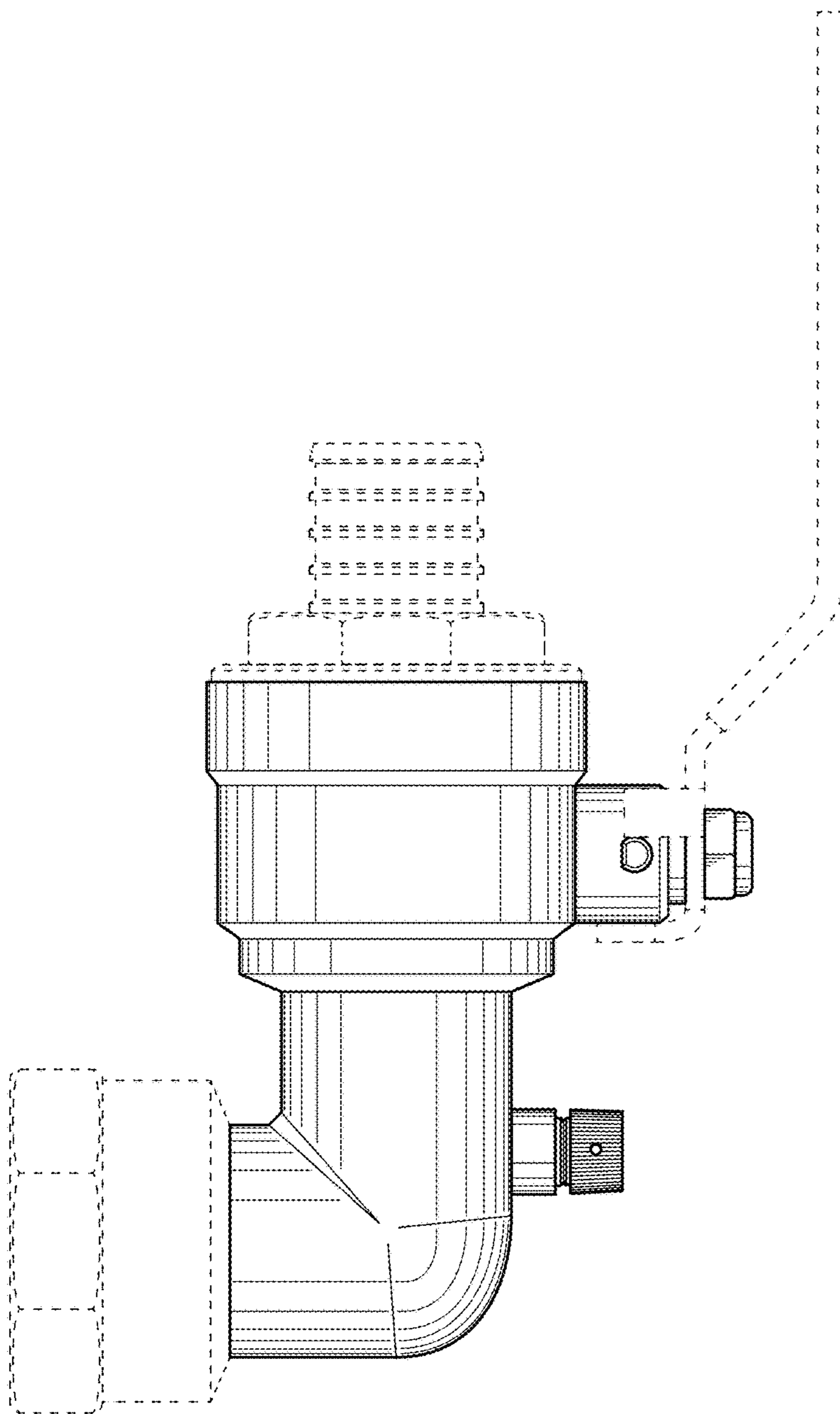


Fig. 4

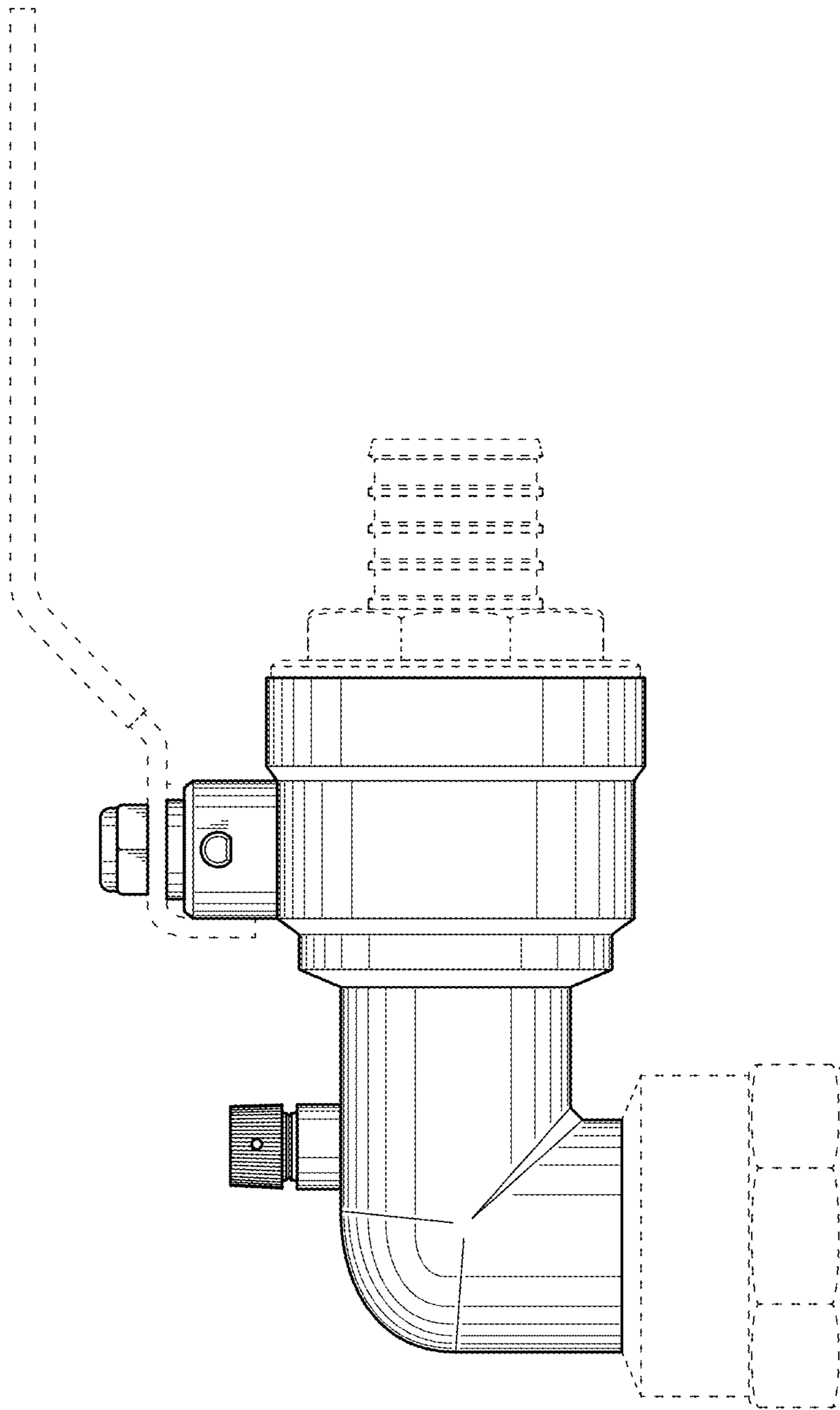
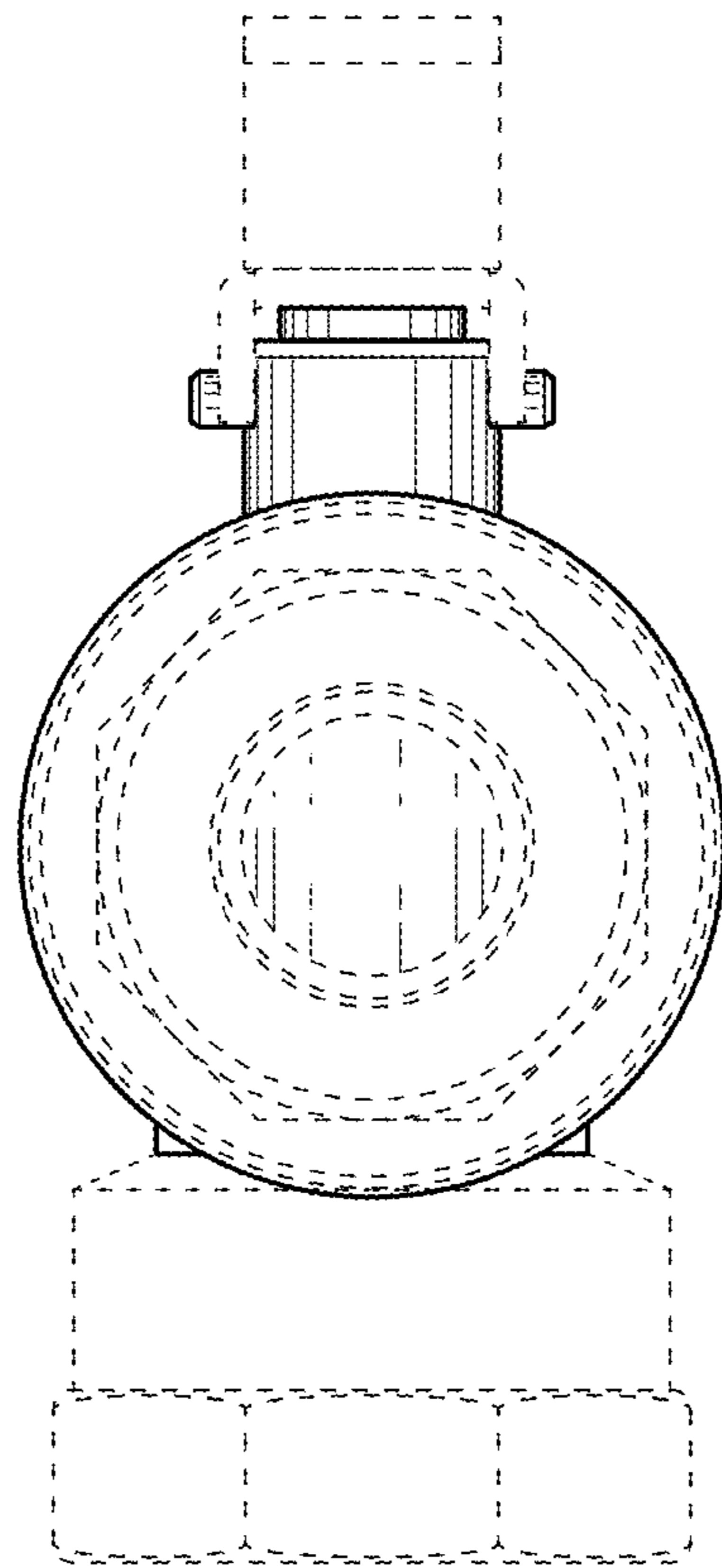
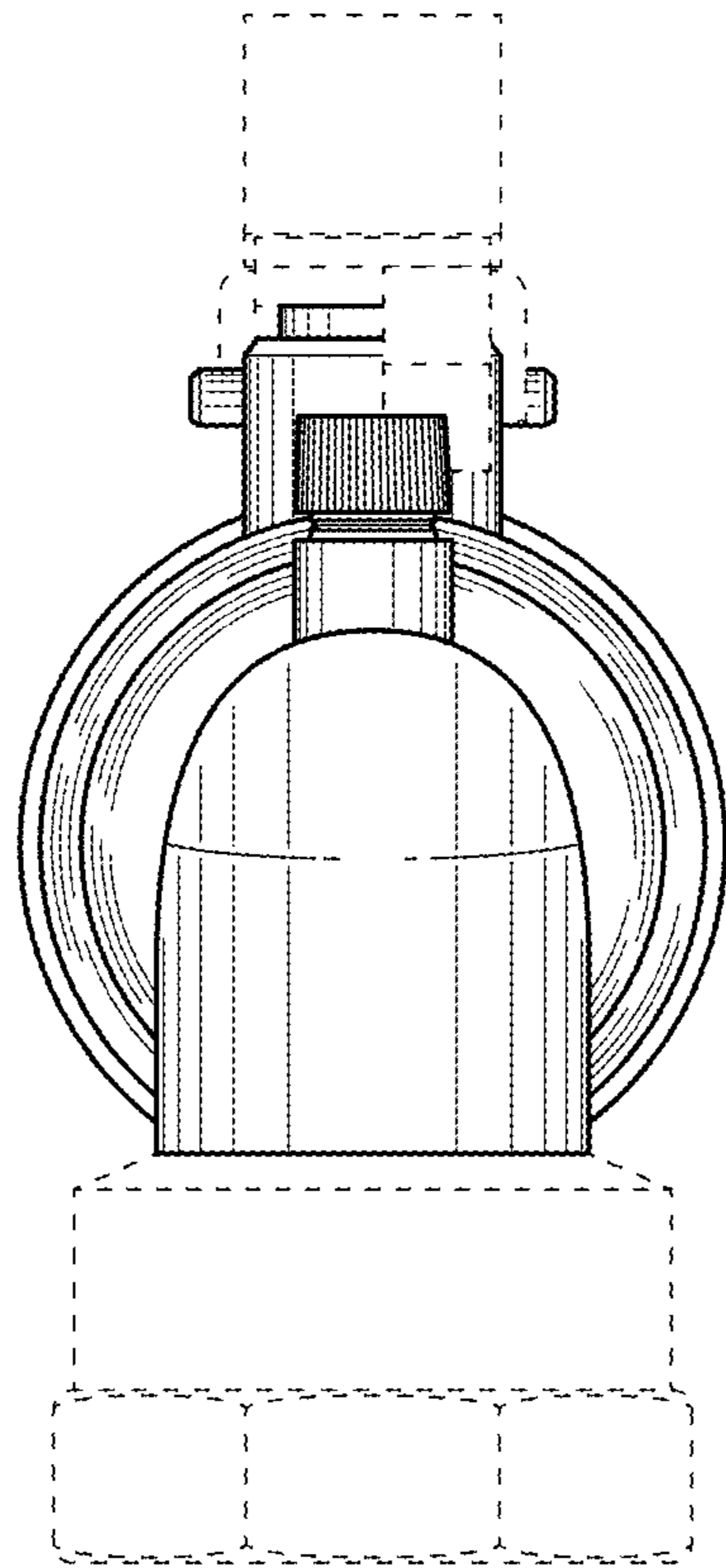


Fig. 5





**Fig. 6**



**Fig. 7**