



US00D803984S

(12) **United States Design Patent**
Tschopp et al.

(10) **Patent No.:** **US D803,984 S**

(45) **Date of Patent:** **** Nov. 28, 2017**

(54) **SPRAY GUN FOR A PRESSURE WASHER**

(71) Applicant: **Black & Decker Inc.**, New Britain, CT (US)

(72) Inventors: **Tylan A. Tschopp**, Baltimore, MD (US); **Nicholas A. Ascosi**, Kennett Square, PA (US)

(73) Assignee: **BLACK & DECKER INC.**, New Britain, CT (US)

(**) Term: **15 Years**

(21) Appl. No.: **29/587,576**

(22) Filed: **Dec. 14, 2016**

(51) **LOC (10) Cl.** **23-01**

(52) **U.S. Cl.**
USPC **D23/226**

(58) **Field of Classification Search**
USPC D23/213, 223, 226; 239/526
CPC B05B 1/18; B05B 9/01; B05B 15/061;
B05B 3/00; B05B 5/00; A62C 31/03;
A62C 31/02

See application file for complete search history.

(56) **References Cited**

U.S. PATENT DOCUMENTS

D314,649 S * 2/1991 Campbell, Sr. D23/223
5,669,558 A * 9/1997 Ichel B05B 1/34
239/311

D557,377 S * 12/2007 Chen D23/223
D571,434 S * 6/2008 Renner D23/223
D573,691 S * 7/2008 Busschaert D23/226
D753,265 S * 4/2016 Burchard D23/226
D769,413 S * 10/2016 Liao D23/223
D779,037 S * 2/2017 Rasmussen D23/223

* cited by examiner

Primary Examiner — Robin V Webster

(74) *Attorney, Agent, or Firm* — Adan Ayala

(57) **CLAIM**

The ornamental design for a spray gun for a pressure washer, as shown and described.

DESCRIPTION

FIG. 1 is a front perspective view of a spray gun according to the invention.

FIG. 2 is a front view of the spray gun of FIG. 1.

FIG. 3 is a rear view of the spray gun of FIG. 1.

FIG. 4 is a left side view of the spray gun of FIG. 1.

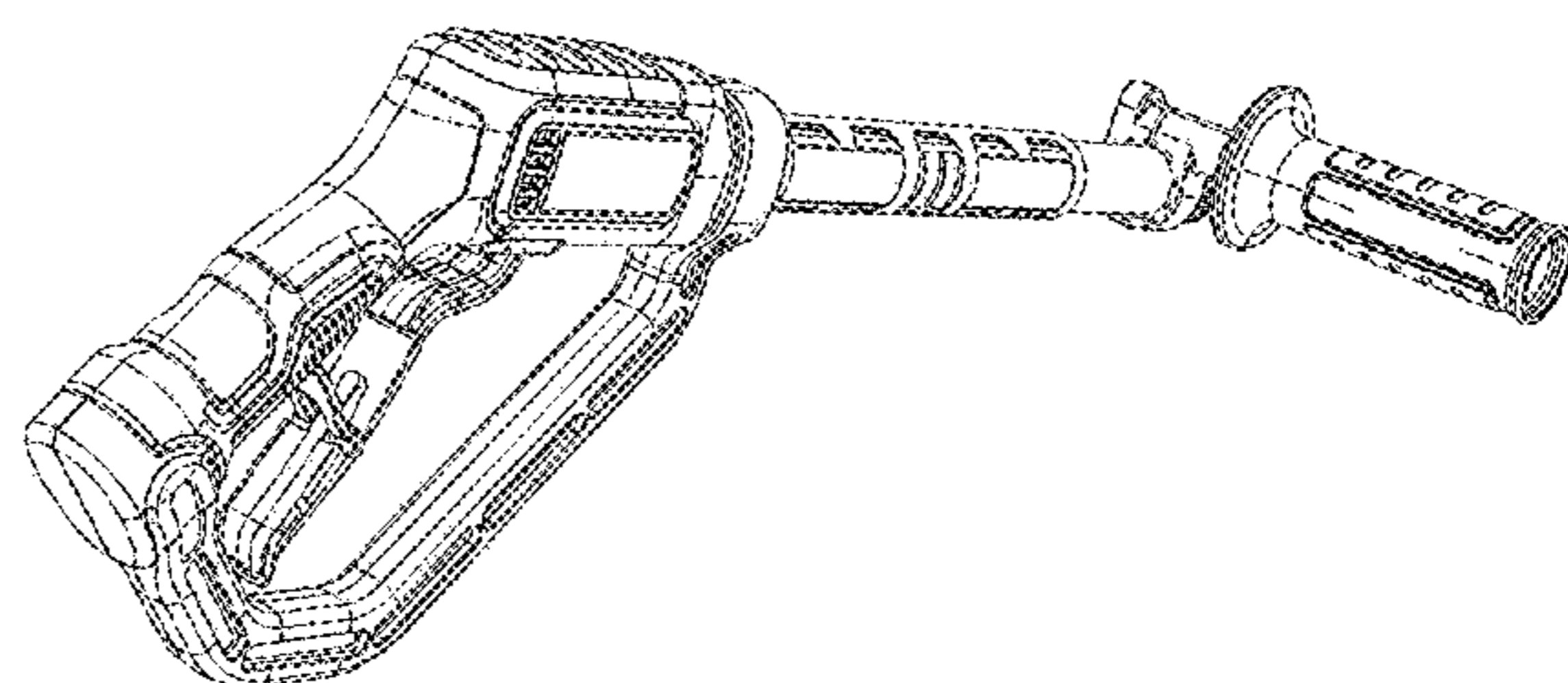
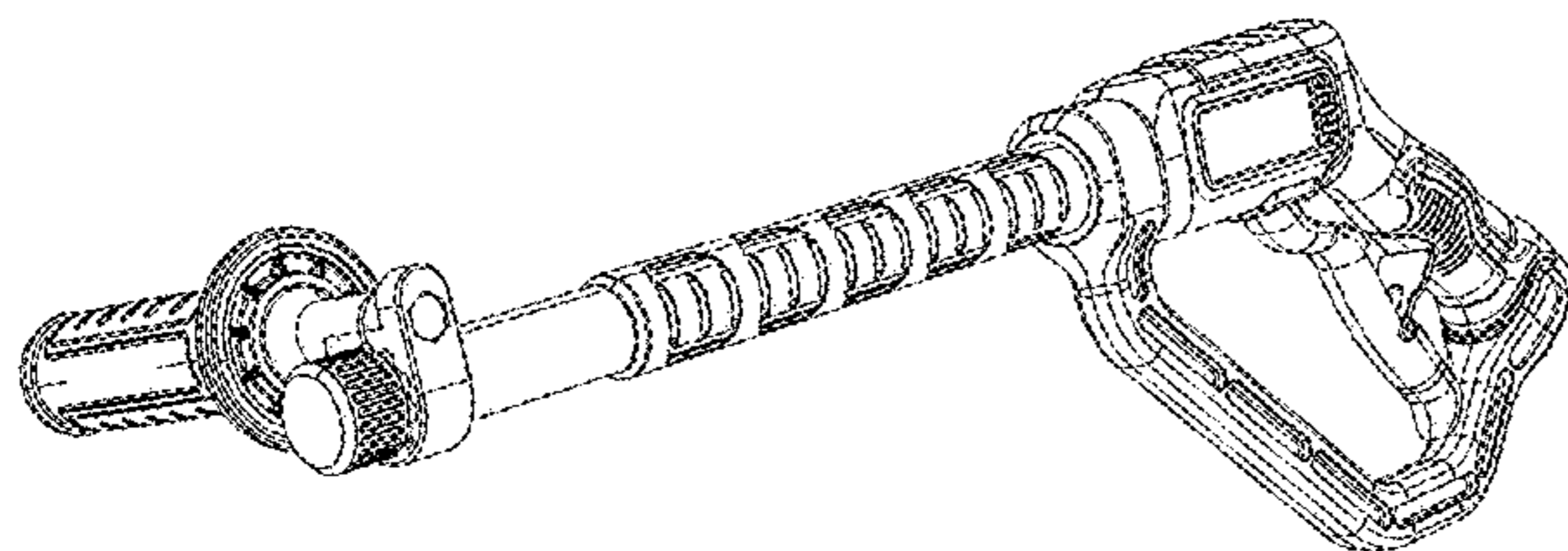
FIG. 5 is a right side view of the spray gun of FIG. 1.

FIG. 6 is a top plan view of the spray gun of FIG. 1.

FIG. 7 is a bottom plan view of the spray gun of FIG. 1; and,

FIG. 8 is a rear perspective view of the spray gun of FIG. 1.

1 Claim, 8 Drawing Sheets



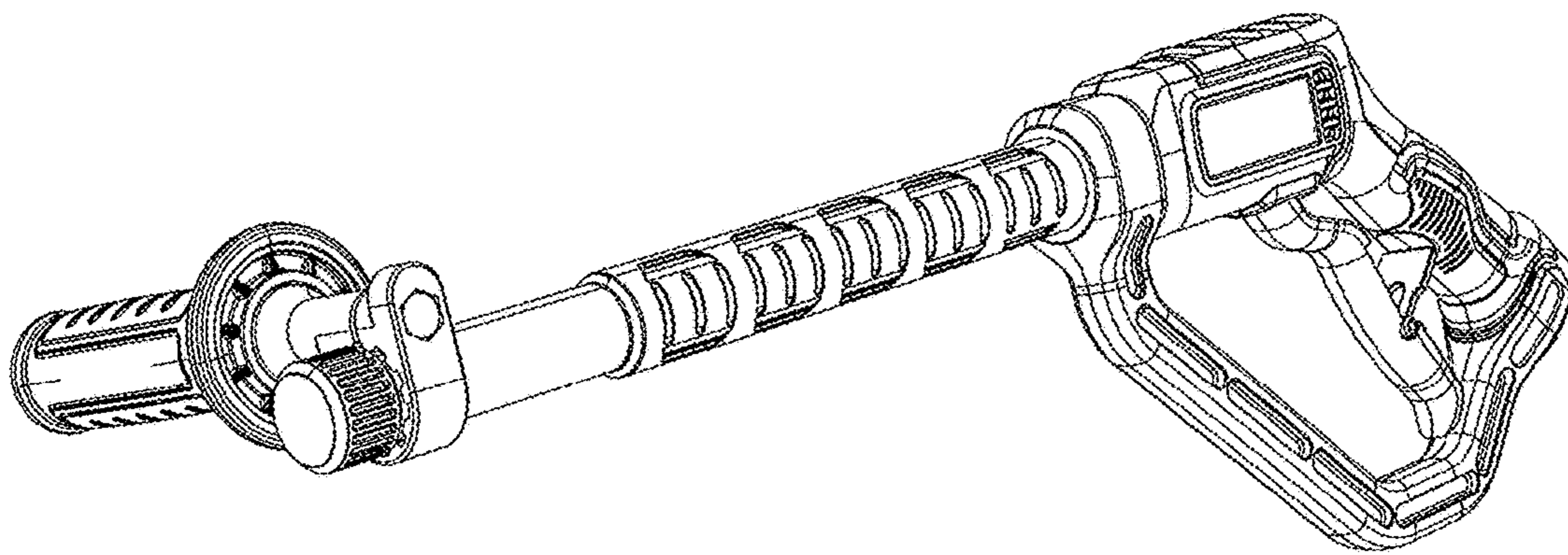


FIG. 1

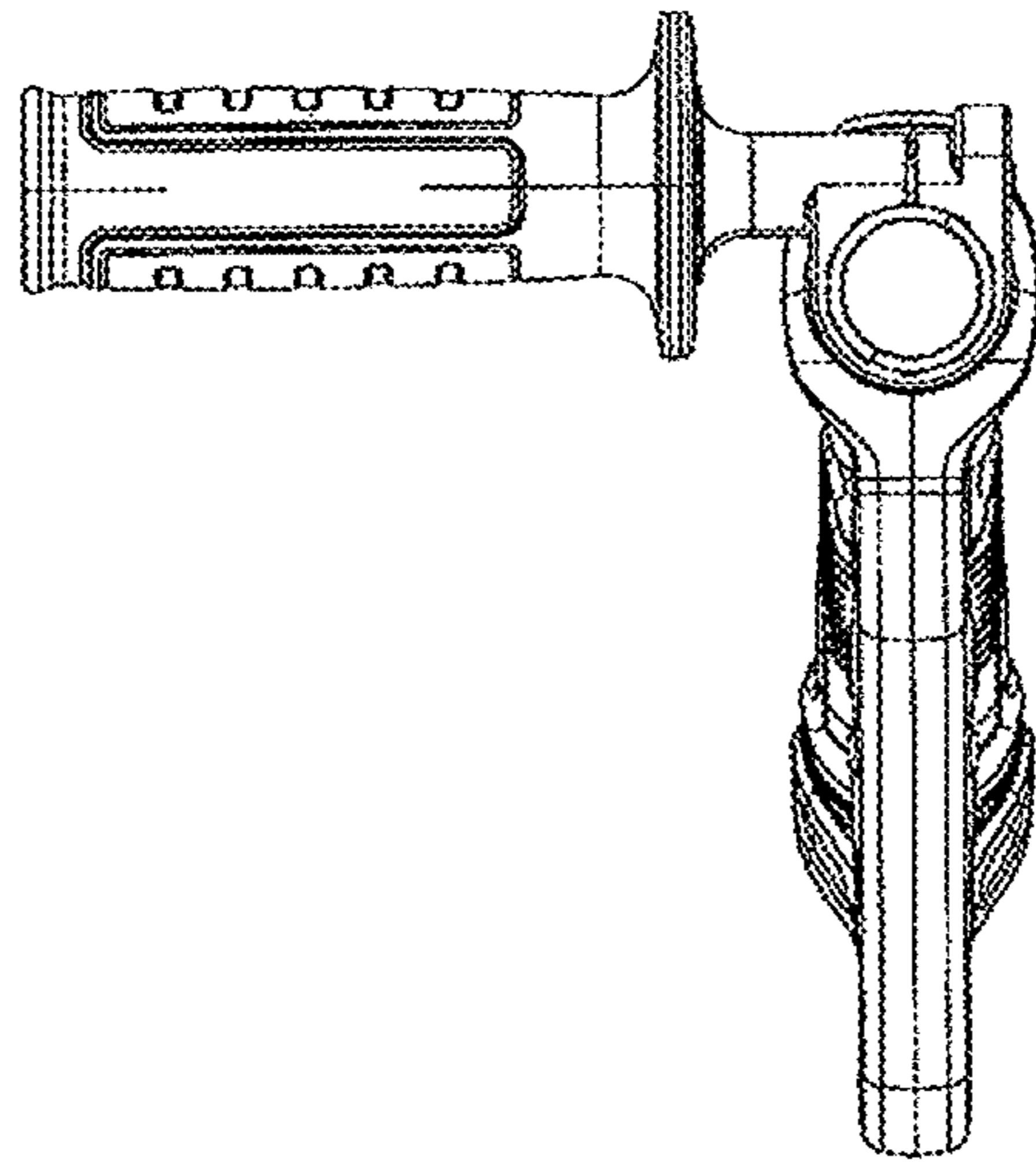


FIG. 2

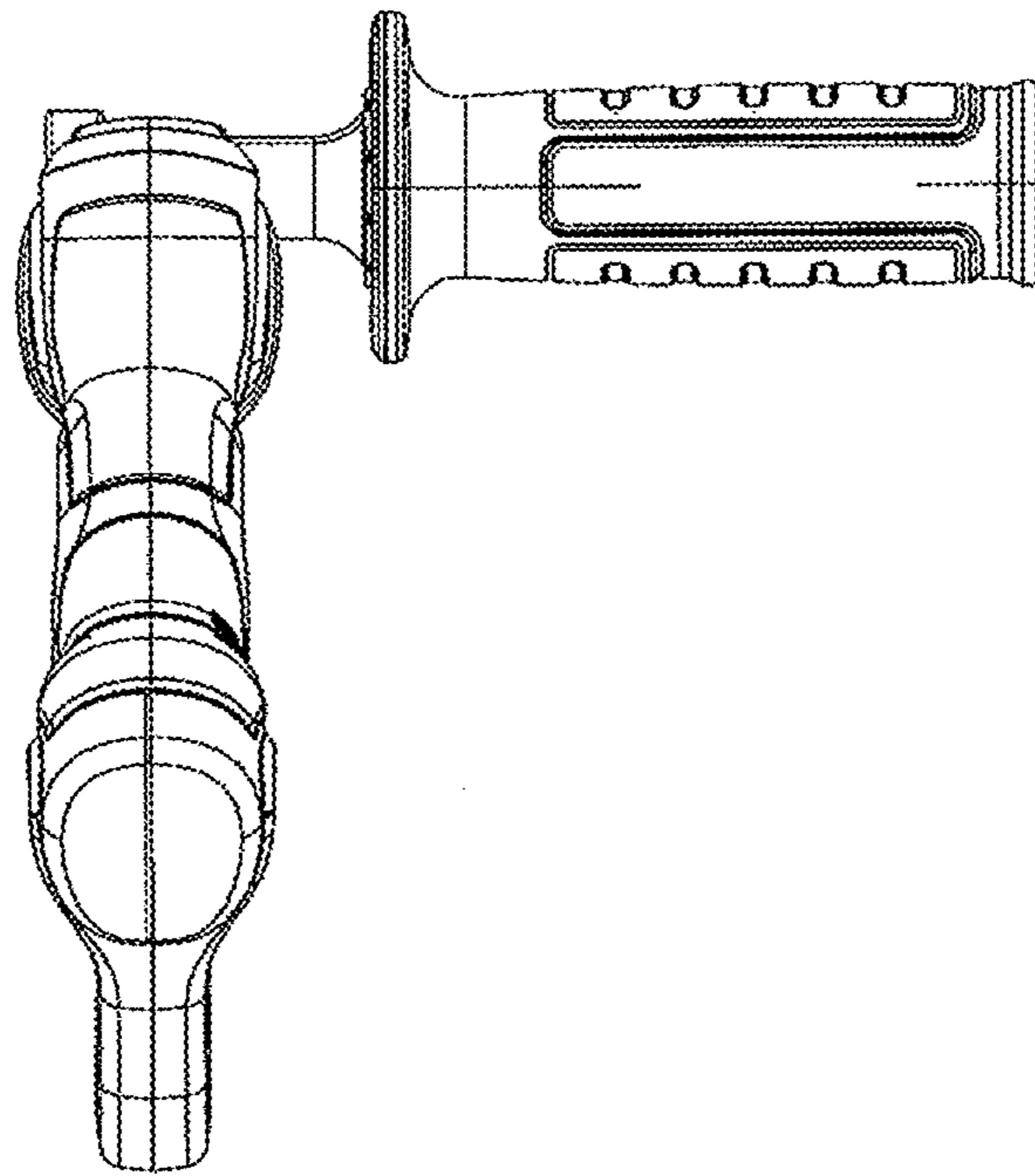


FIG. 3

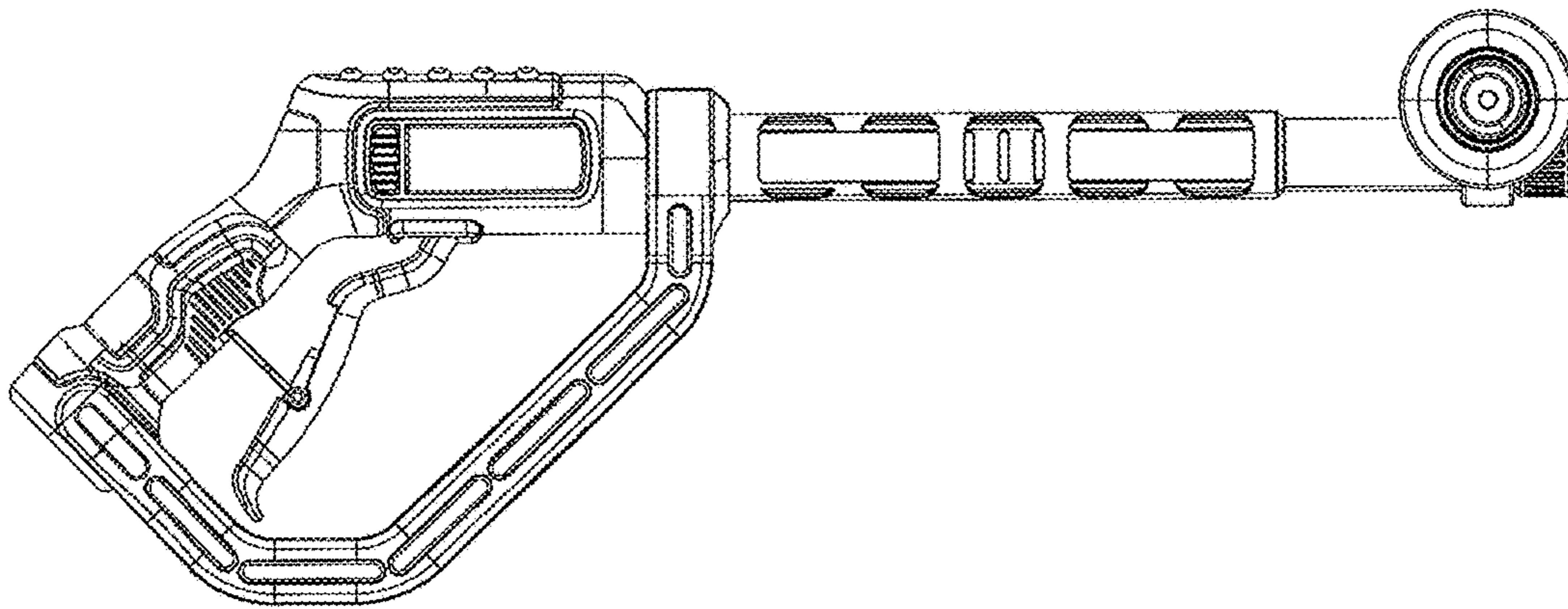


FIG. 4

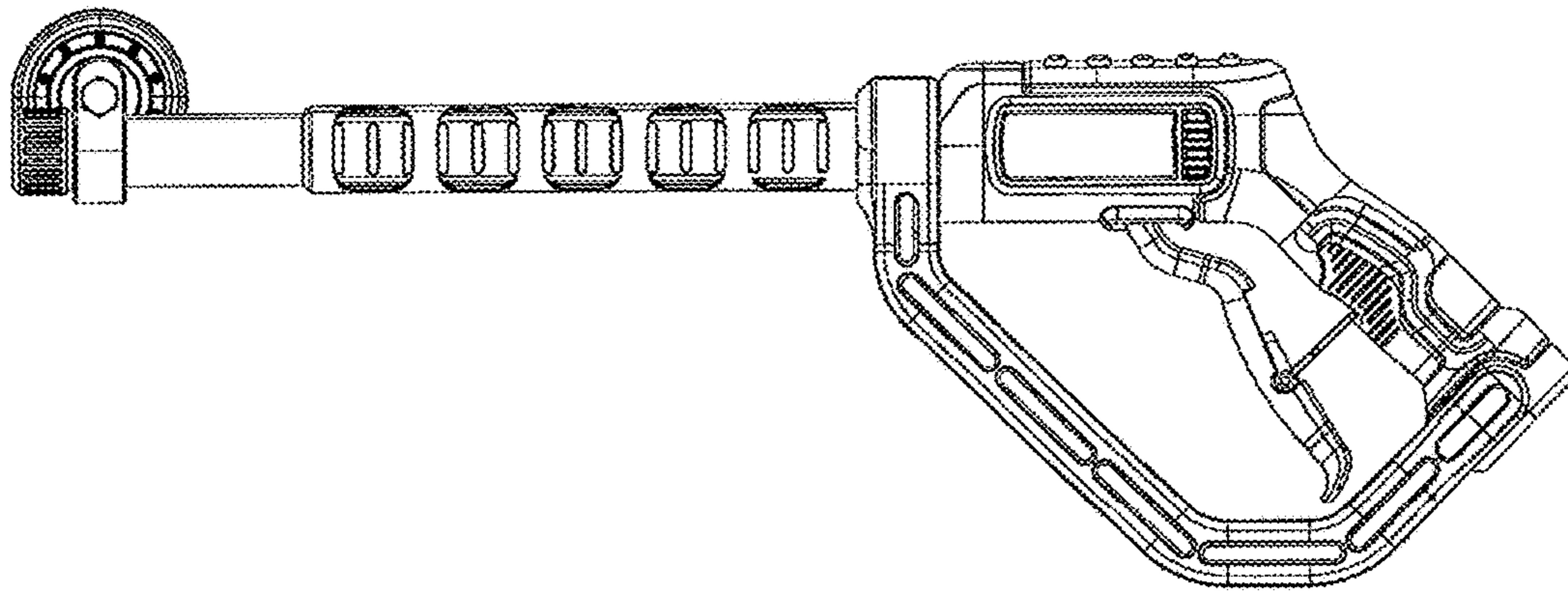


FIG. 5

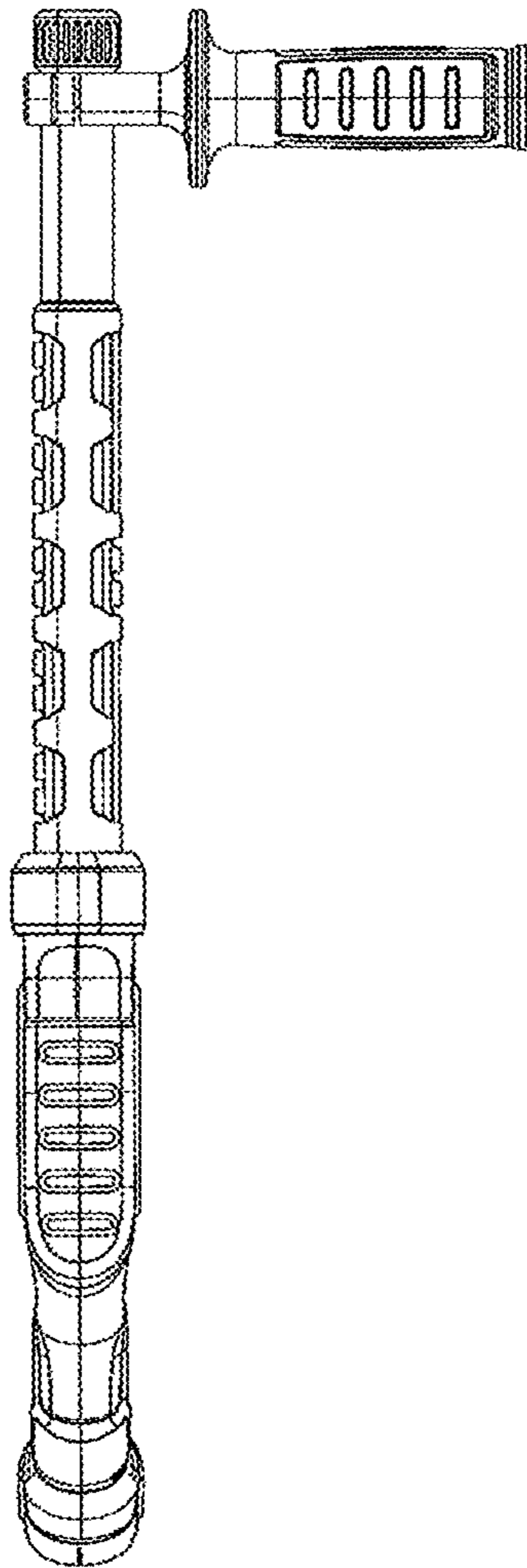


FIG. 6

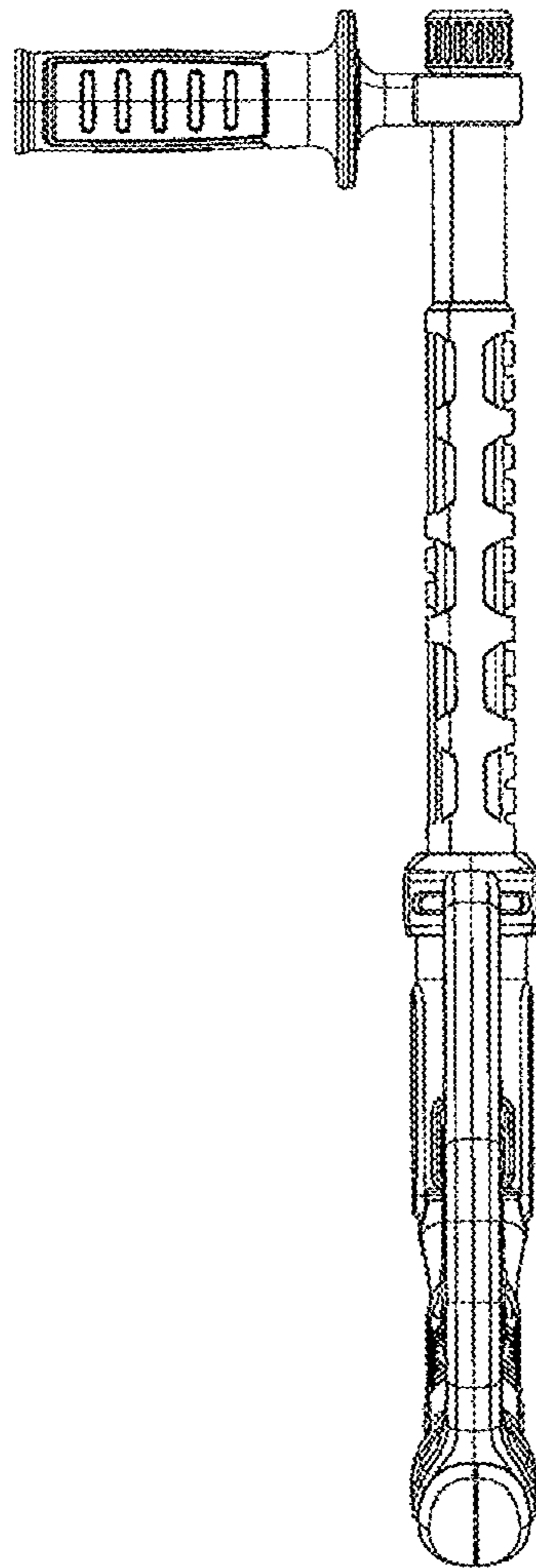


FIG. 7

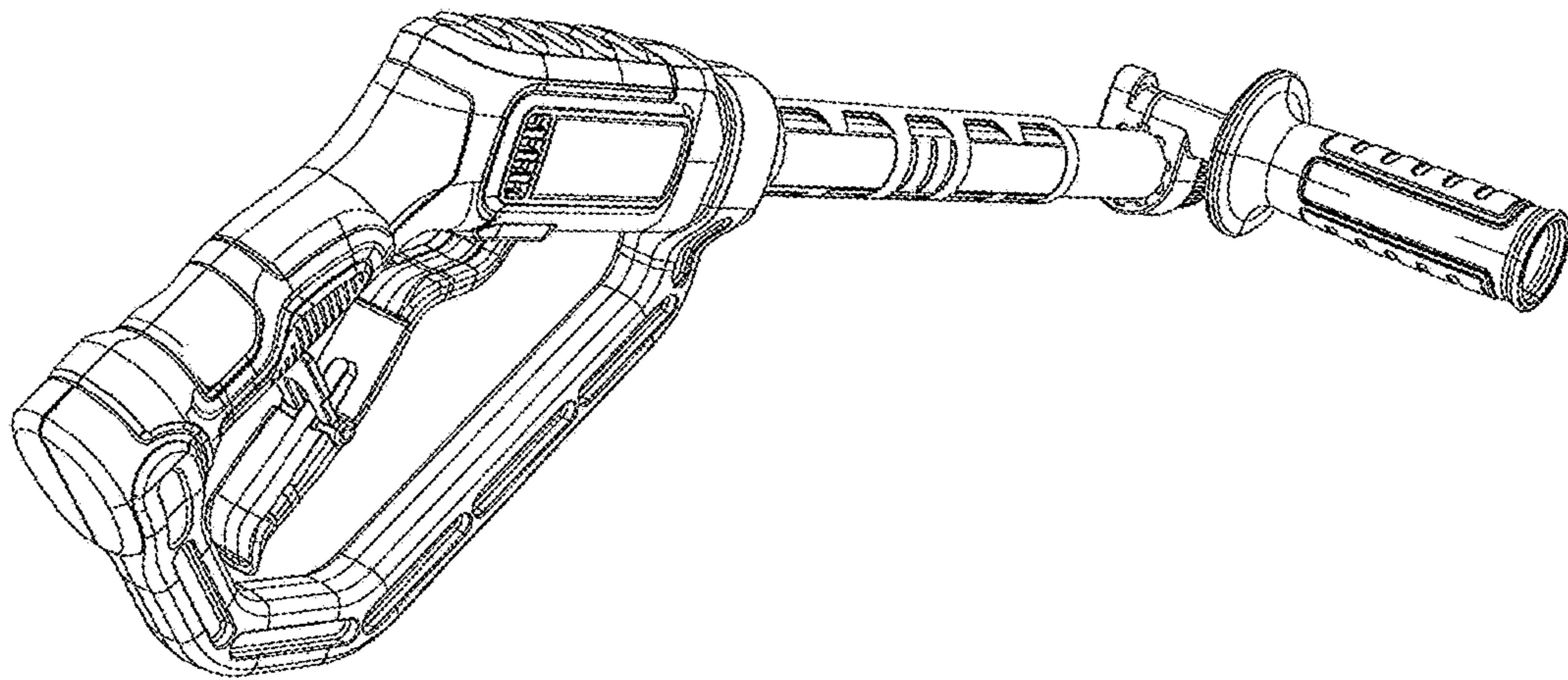


FIG. 8