



US00D803983S

(12) **United States Design Patent**
Legatt et al.

(10) **Patent No.:** **US D803,983 S**

(45) **Date of Patent:** **** Nov. 28, 2017**

(54) **AIRLESS PAINT SPRAYER**

(71) Applicant: **Graco Minnesota Inc.**, Minneapolis,
MN (US)

(72) Inventors: **August F. Legatt**, Maple Lake, MN
(US); **Christopher C. Hines**, Andover,
MN (US)

(73) Assignee: **Graco Minnesota Inc.**, Minneapolis,
MN (US)

(**) Term: **15 Years**

(21) Appl. No.: **29/577,870**

(22) Filed: **Sep. 16, 2016**

(51) **LOC (10) Cl.** **23-01**

(52) **U.S. Cl.**
USPC **D23/225**

(58) **Field of Classification Search**
USPC D23/213, 225; 239/DIG. 14, 146, 147
CPC B05B 9/007; B05B 7/0815; E01C 23/206;
E01C 23/22; A01C 23/047
See application file for complete search history.

(56) **References Cited**

U.S. PATENT DOCUMENTS

D596,706 S * 7/2009 Gundersen D23/225
D597,173 S * 7/2009 Mulgrew D23/225

D616,065 S * 5/2010 Gundersen D23/225
D632,762 S * 2/2011 Mattson D23/225
D733,840 S * 7/2015 Butler D23/225
D792,946 S * 7/2017 Johnston D23/225

OTHER PUBLICATIONS

Related design: design U.S. Appl. No. 29/577,868, filed same day
as this application.

* cited by examiner

Primary Examiner — Robin V Webster

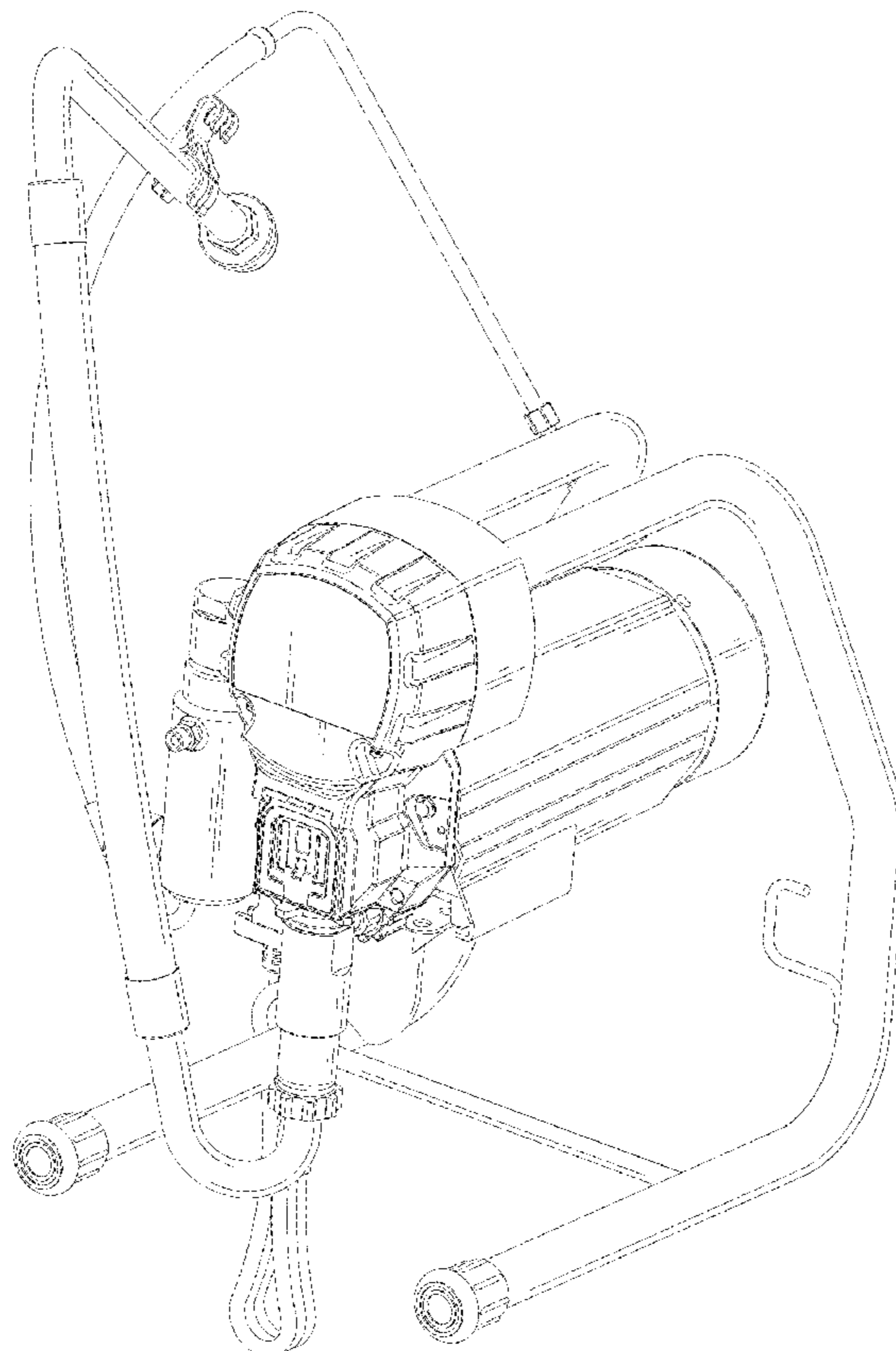
(57) **CLAIM**

The ornamental design for an airless paint sprayer, as shown
and described.

DESCRIPTION

FIG. 1 is a front right isometric view of an airless paint
sprayer;
FIG. 2 is a front view thereof;
FIG. 3 is a left side view thereof;
FIG. 4 is a back view thereof;
FIG. 5 is a right side view thereof;
FIG. 6 is a top view thereof; and,
FIG. 7 is a bottom view thereof.

1 Claim, 7 Drawing Sheets



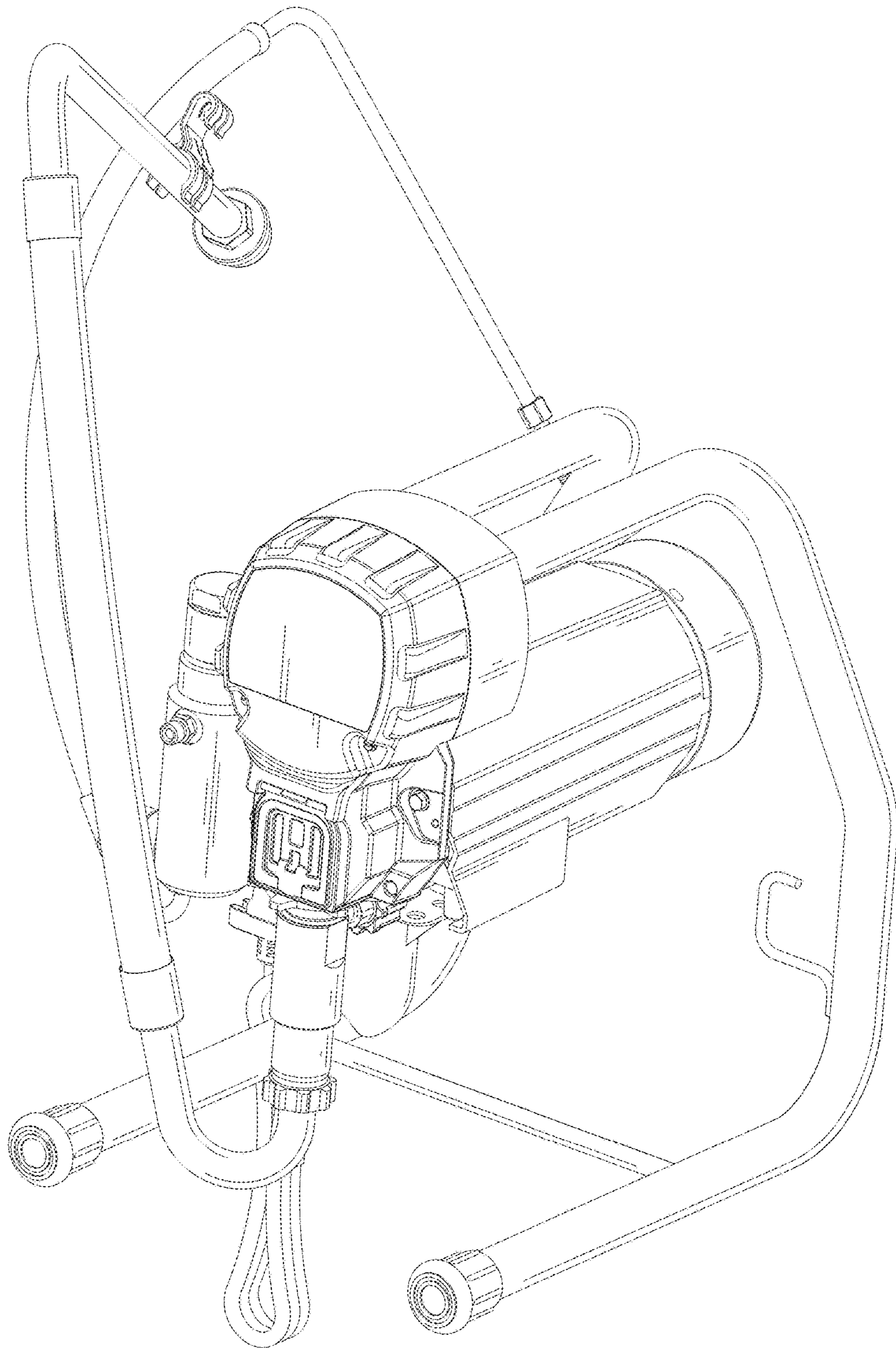


FIG. 1

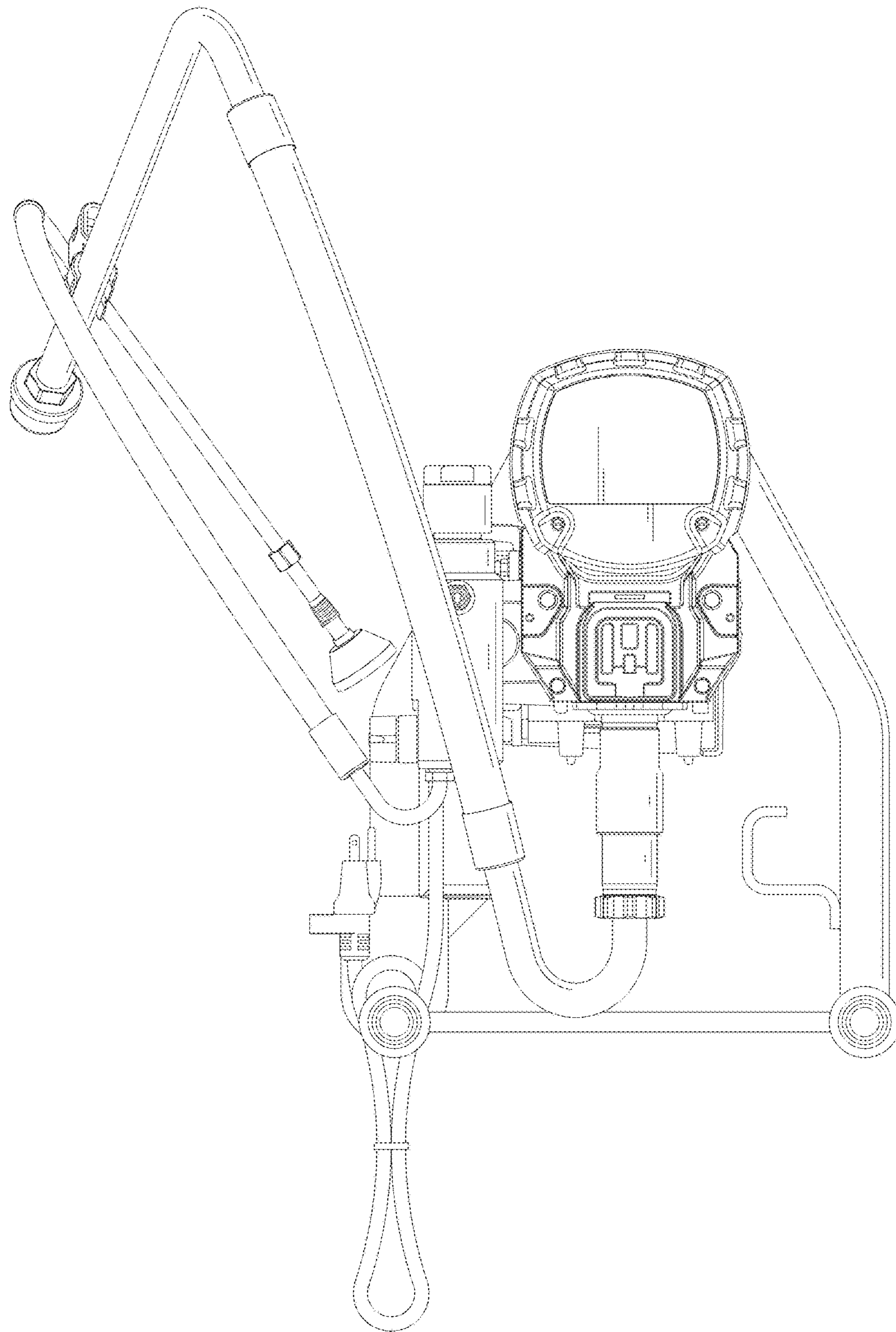


FIG. 2

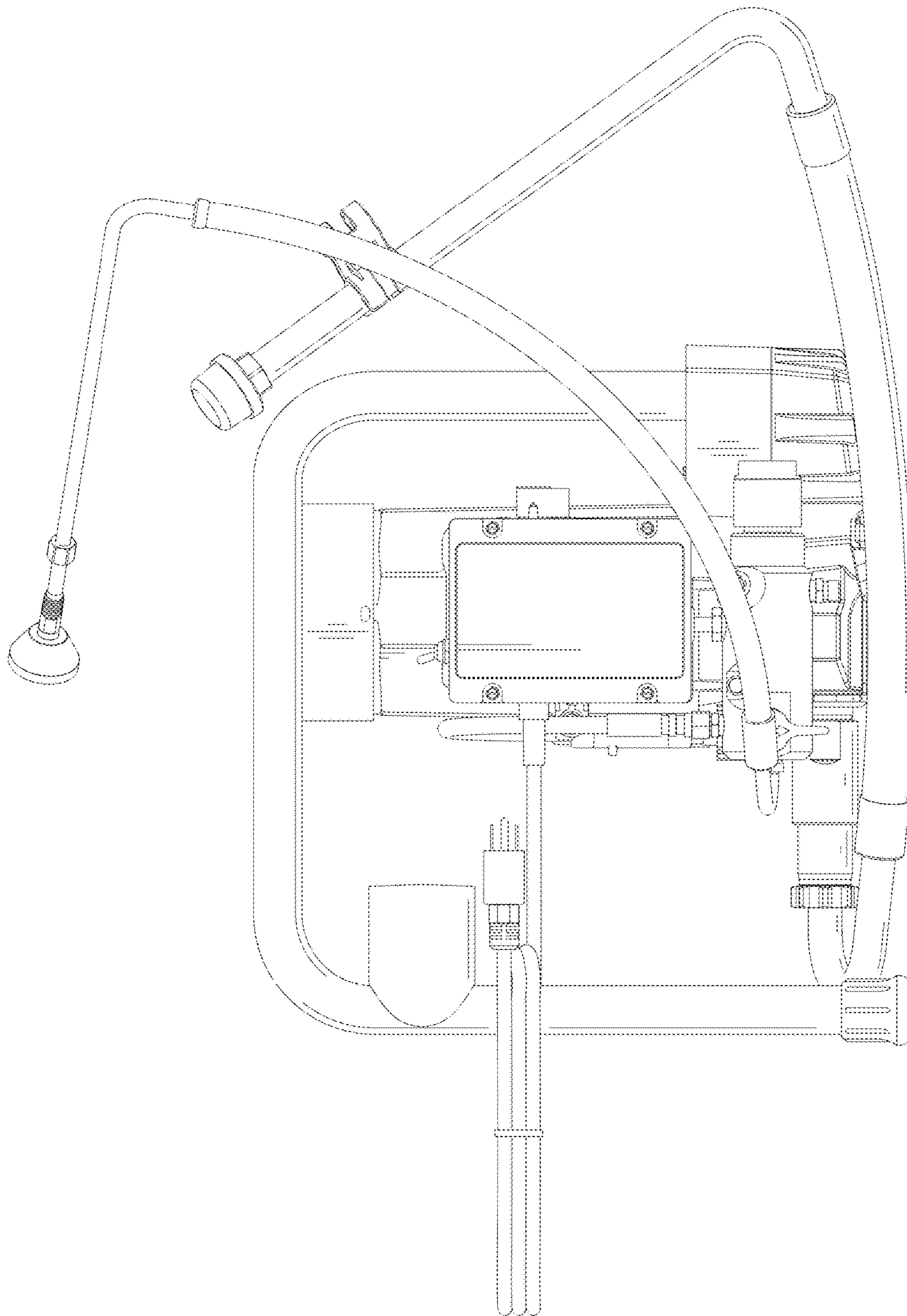


FIG. 3

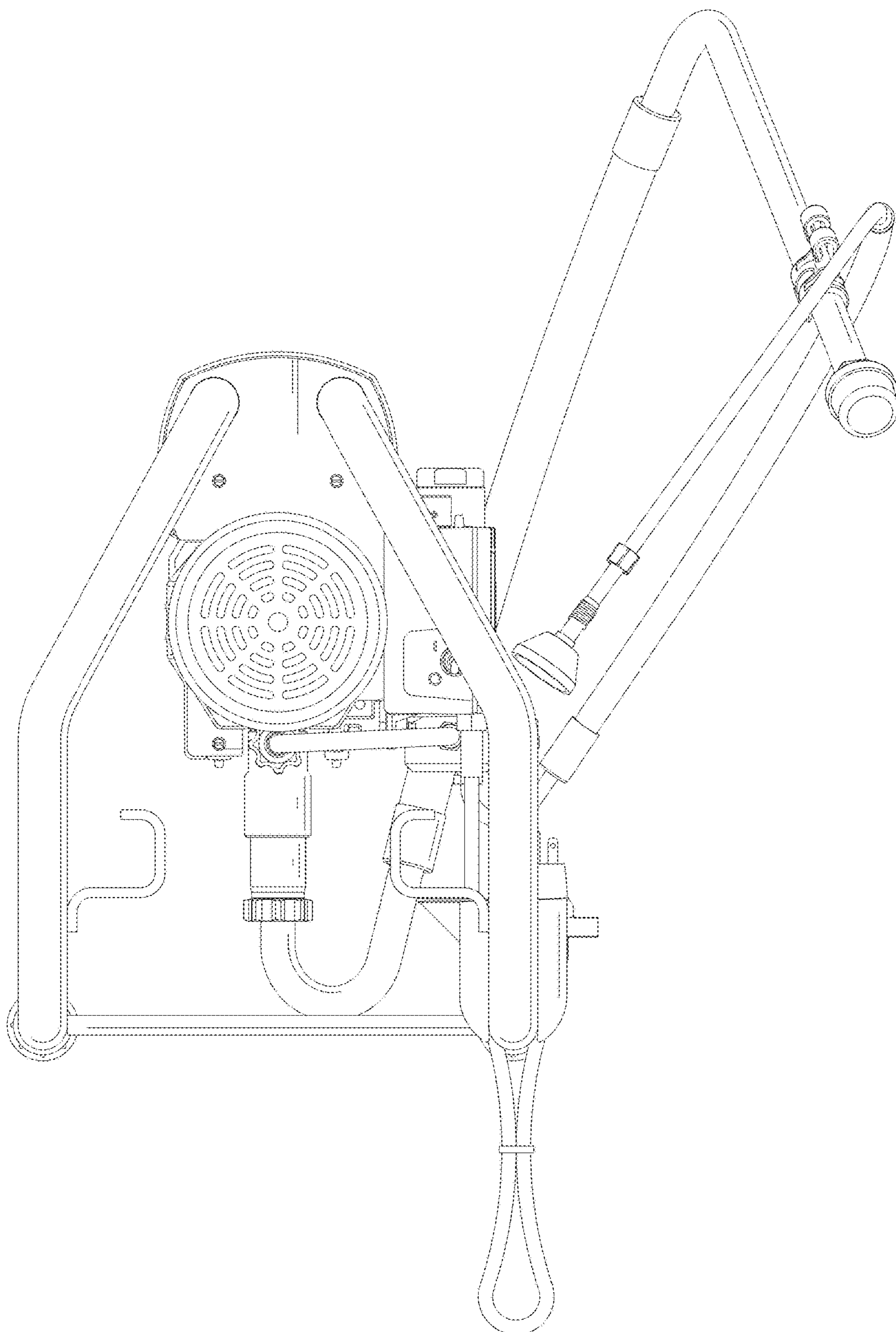


FIG. 4

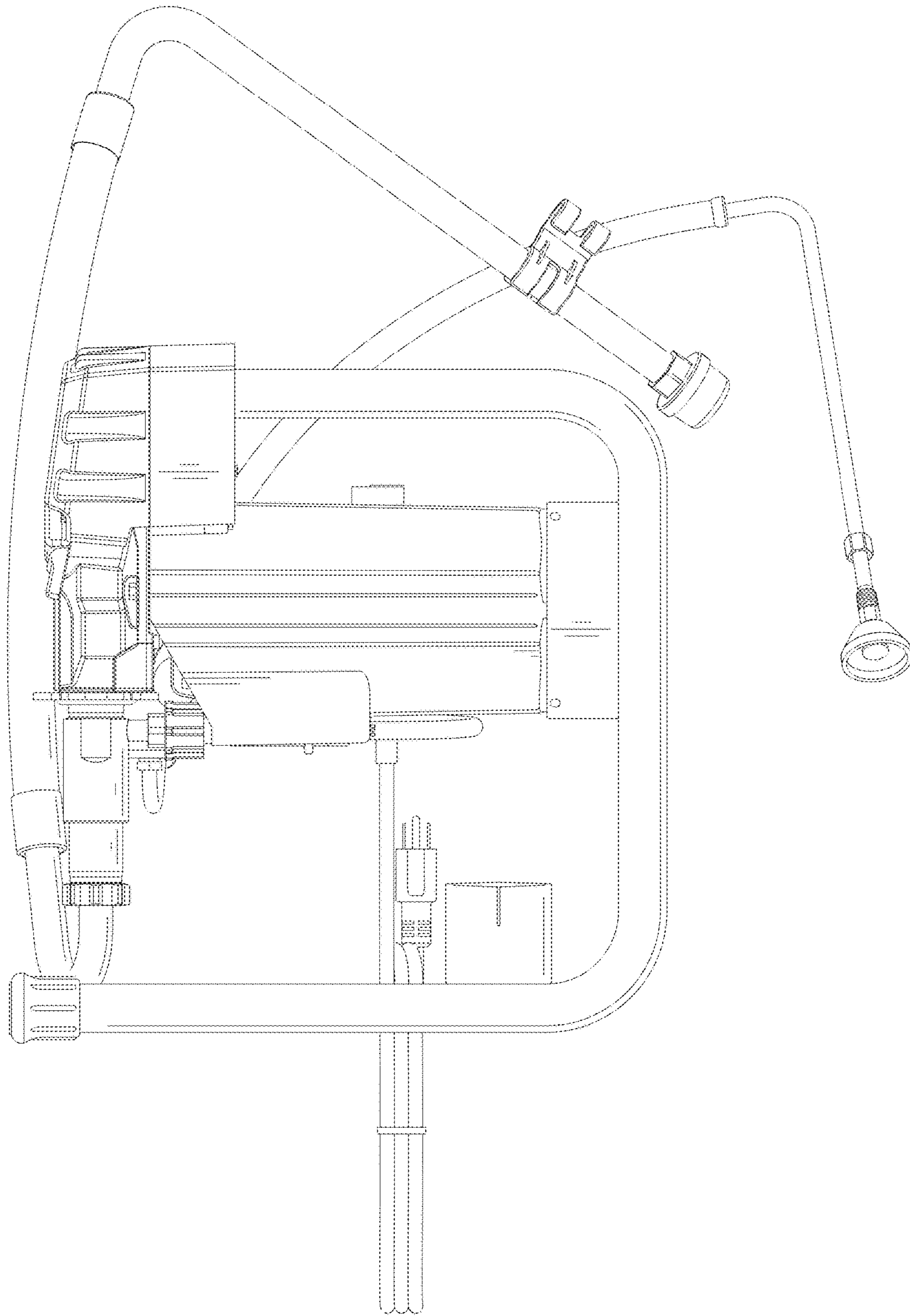


FIG. 5

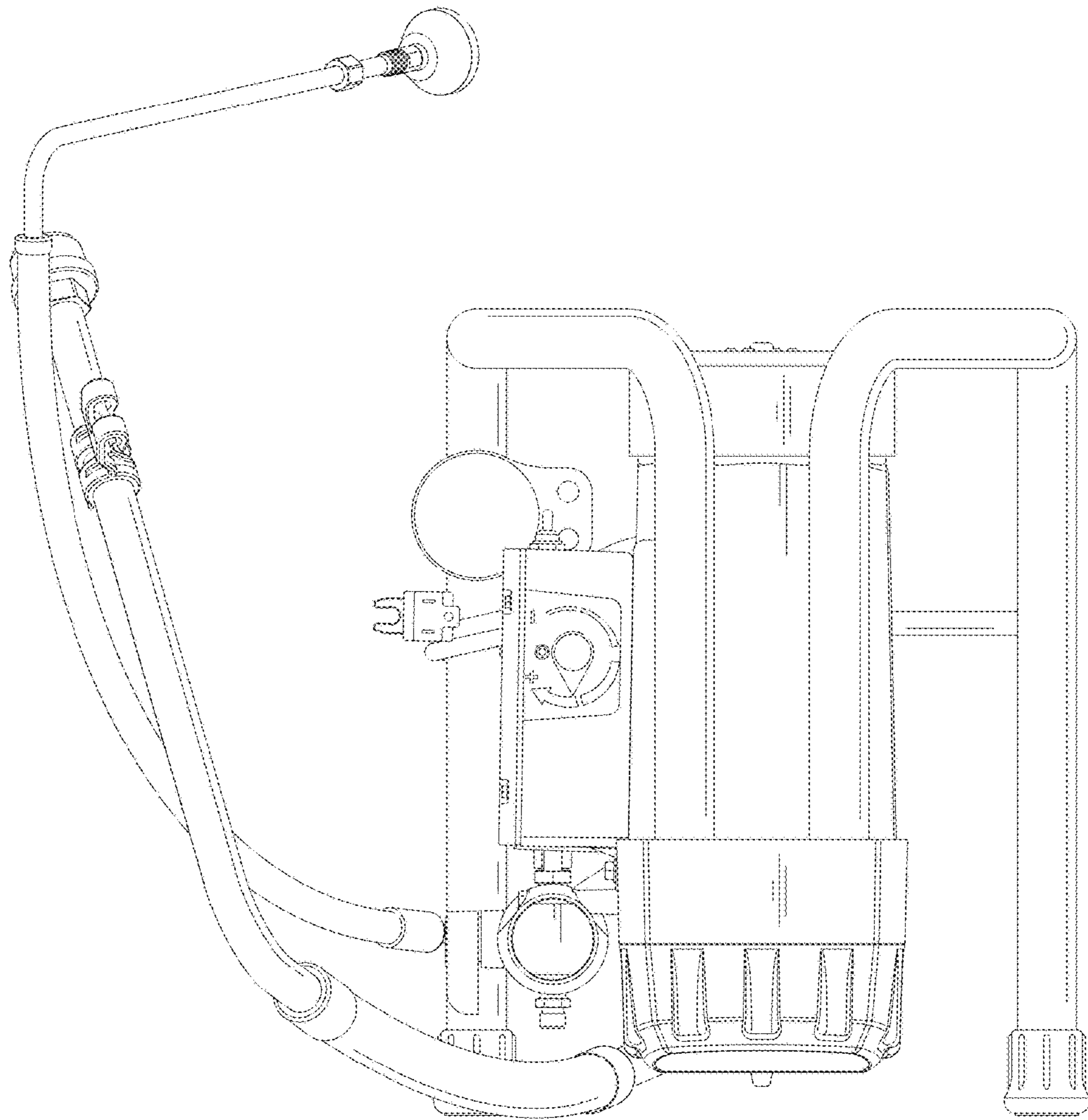


FIG. 6

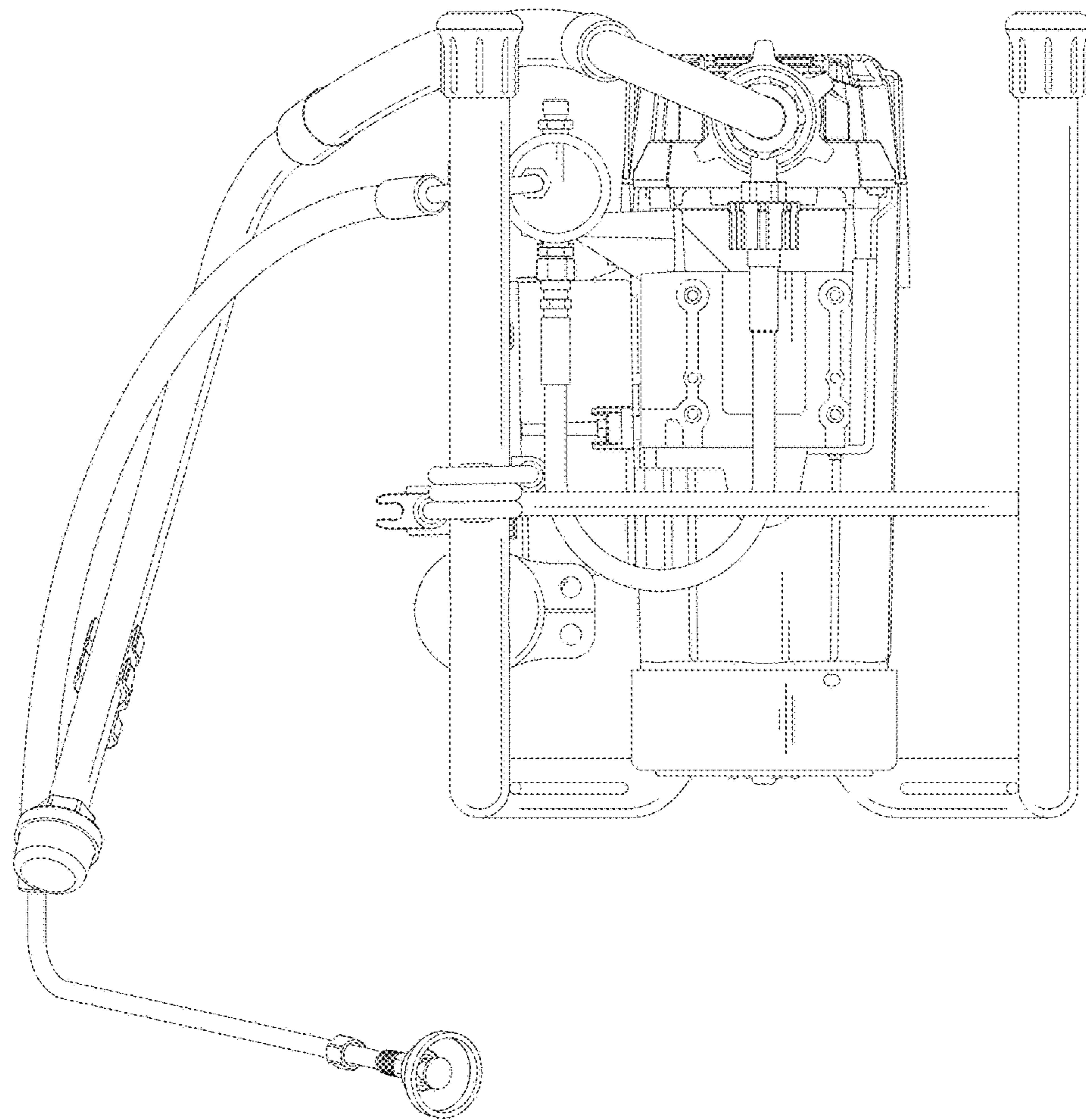


FIG. 7