



US00D803977S

(12) **United States Design Patent**
Grayson et al.

(10) **Patent No.:** **US D803,977 S**

(45) **Date of Patent:** **** Nov. 28, 2017**

- (54) **FISH GRIPPER**
- (71) Applicant: **Rapala VMC Corp.**, Helsinki (FI)
- (72) Inventors: **Jeremy Grayson**, Central (HK); **Meng Da Liu**, Mong Kok (HK)
- (73) Assignee: **Rapala VMC Corporation**, Helsinki (FI)
- (**) Term: **15 Years**
- (21) Appl. No.: **29/578,686**
- (22) Filed: **Sep. 23, 2016**
- (51) **LOC (10) Cl.** **22-05**
- (52) **U.S. Cl.**
USPC **D22/149; D22/150**
- (58) **Field of Classification Search**
USPC D22/149–150, 134, 199; D8/52, 107;
43/53.5, 55, 4; 294/104, 118, 902, 16
CPC .. A01K 97/00; B25B 7/00; B25B 7/02; Y10S
294/902
See application file for complete search history.

- 5,092,074 A * 3/1992 Zinke A01K 97/00
43/53.5
- D362,293 S * 9/1995 Formaggioni D22/149
- D600,774 S * 9/2009 Enajarvi D22/149
- D618,299 S * 6/2010 Steiner D22/149

* cited by examiner

Primary Examiner — Catherine R Oliver-Garcia
(74) *Attorney, Agent, or Firm* — Dority & Manning, P.A.

(57) **CLAIM**

The ornamental design for a fish gripper, as shown and described.

DESCRIPTION

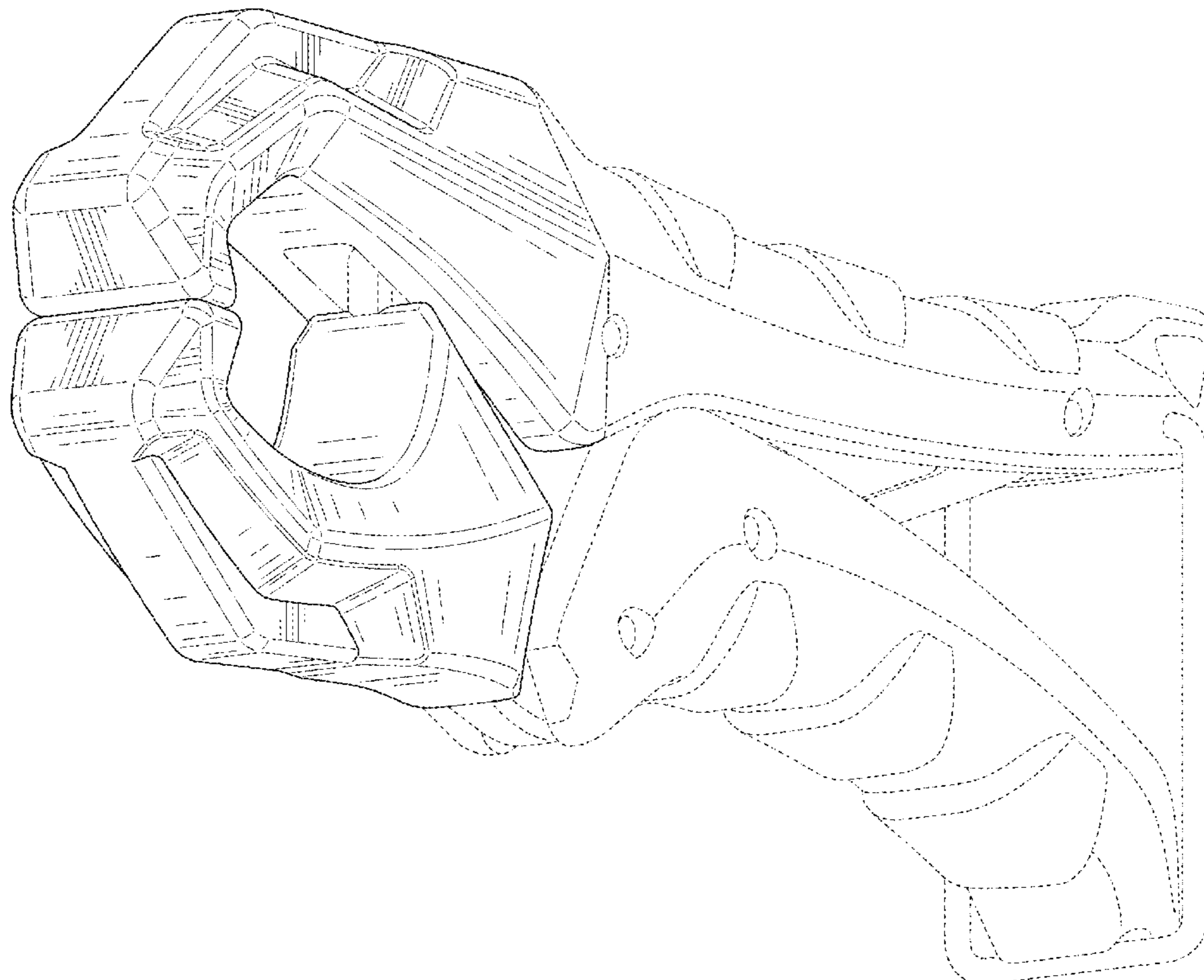
FIG. 1 is a perspective view of the fish gripper according to the present invention;
FIG. 2 is a side view of the fish gripper of FIG. 1;
FIG. 3 is another side view of the fish gripper of FIG. 1;
FIG. 4 is a front view of the fish gripper of FIG. 1;
FIG. 5 is a rear view of the fish gripper of FIG. 1;
FIG. 6 is a top view of the fish gripper of FIG. 1; and,
FIG. 7 is a bottom view of fish gripper of FIG. 1.
The evenly spaced broken lines depict environment that form no part of the claimed design. The dash dot broken lines depict a boundary between claimed and unclaimed portions of the design.

(56) **References Cited**

U.S. PATENT DOCUMENTS

- 4,559,853 A * 12/1985 Oye B25B 7/02
294/118
- 4,965,958 A * 10/1990 Cedergreen A01K 97/00
294/104

1 Claim, 5 Drawing Sheets



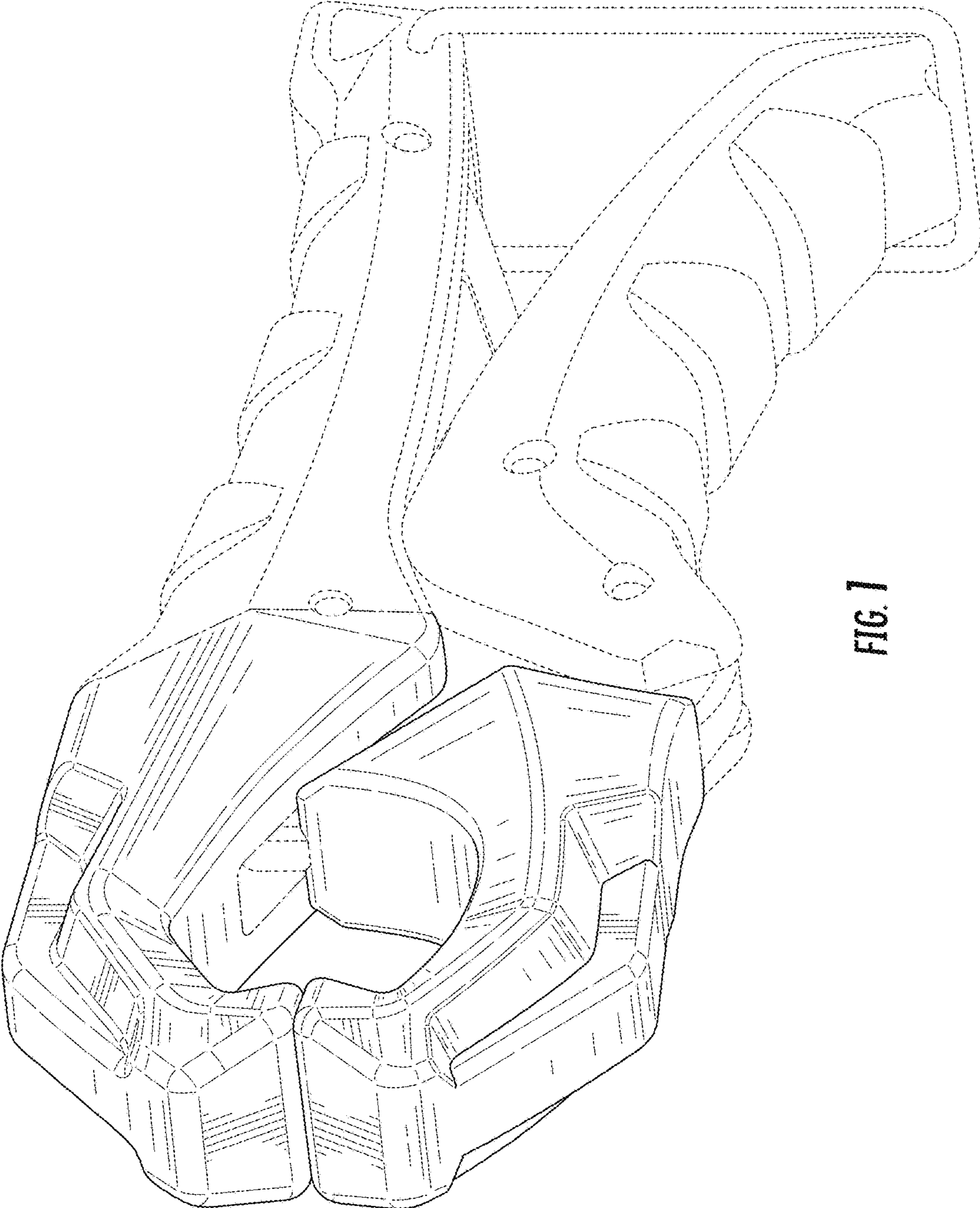


FIG. 1

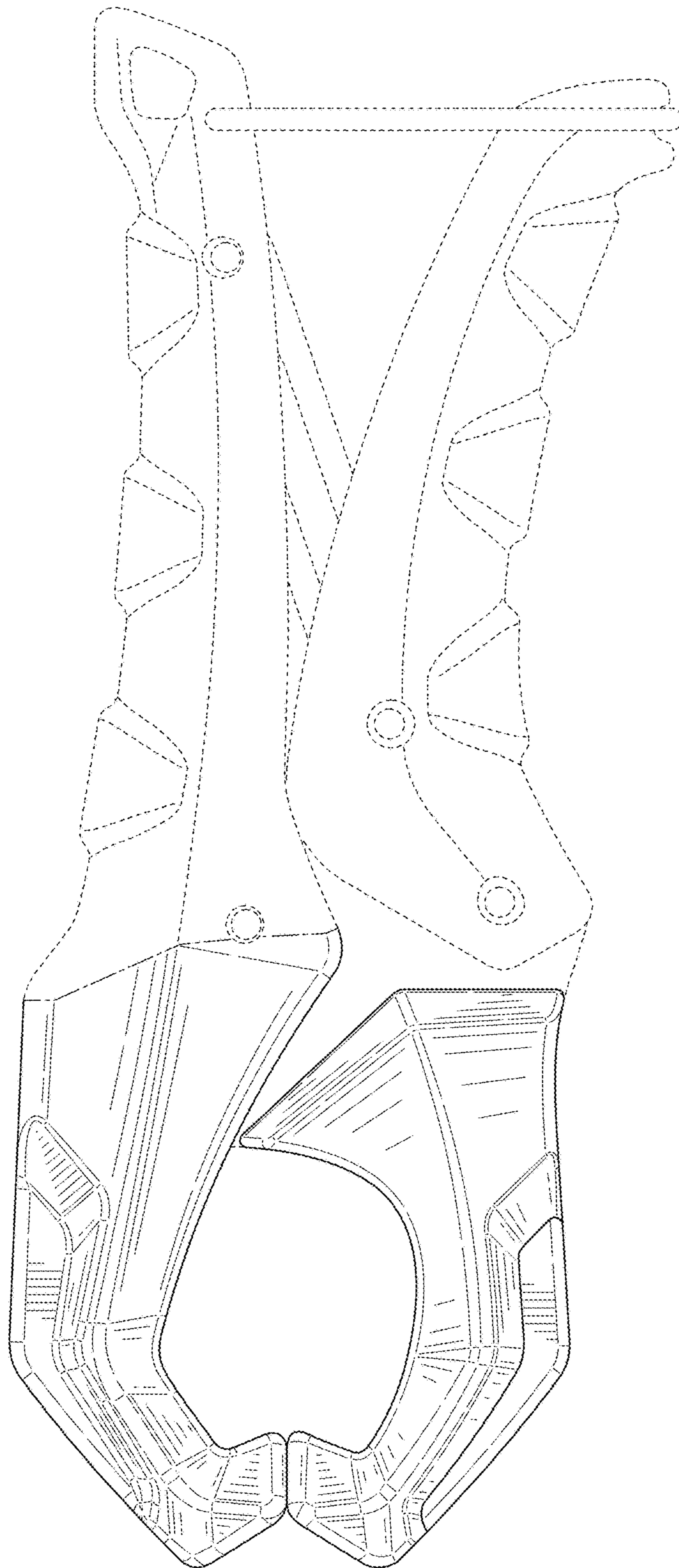


FIG. 2

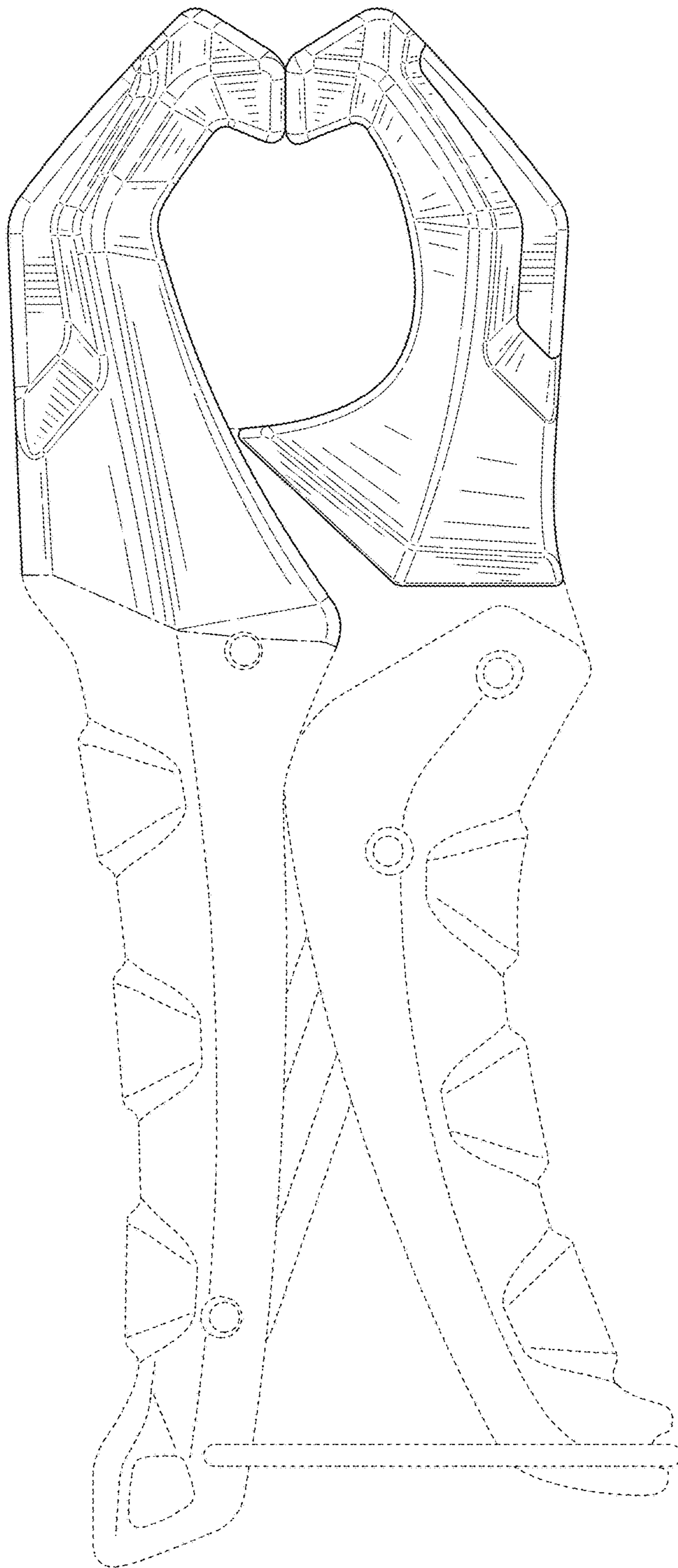


FIG. 3

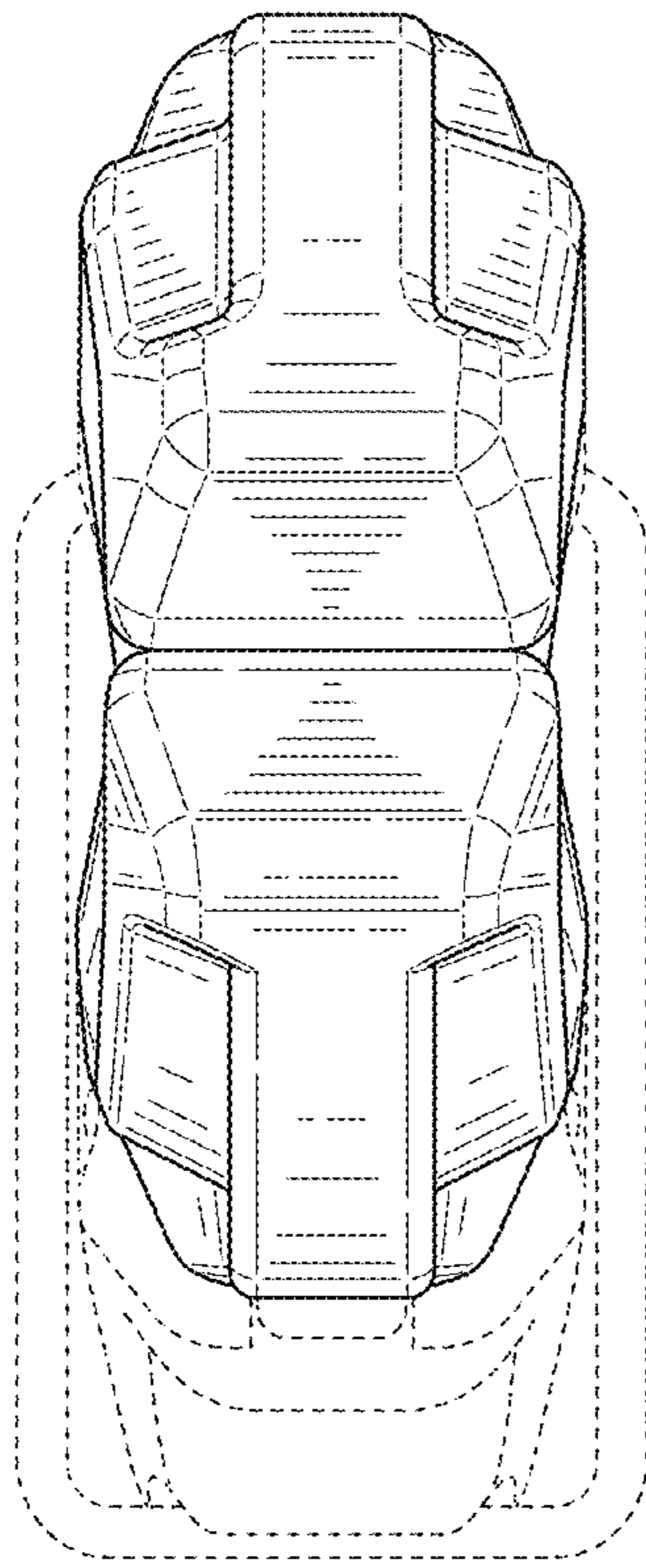


FIG. 4

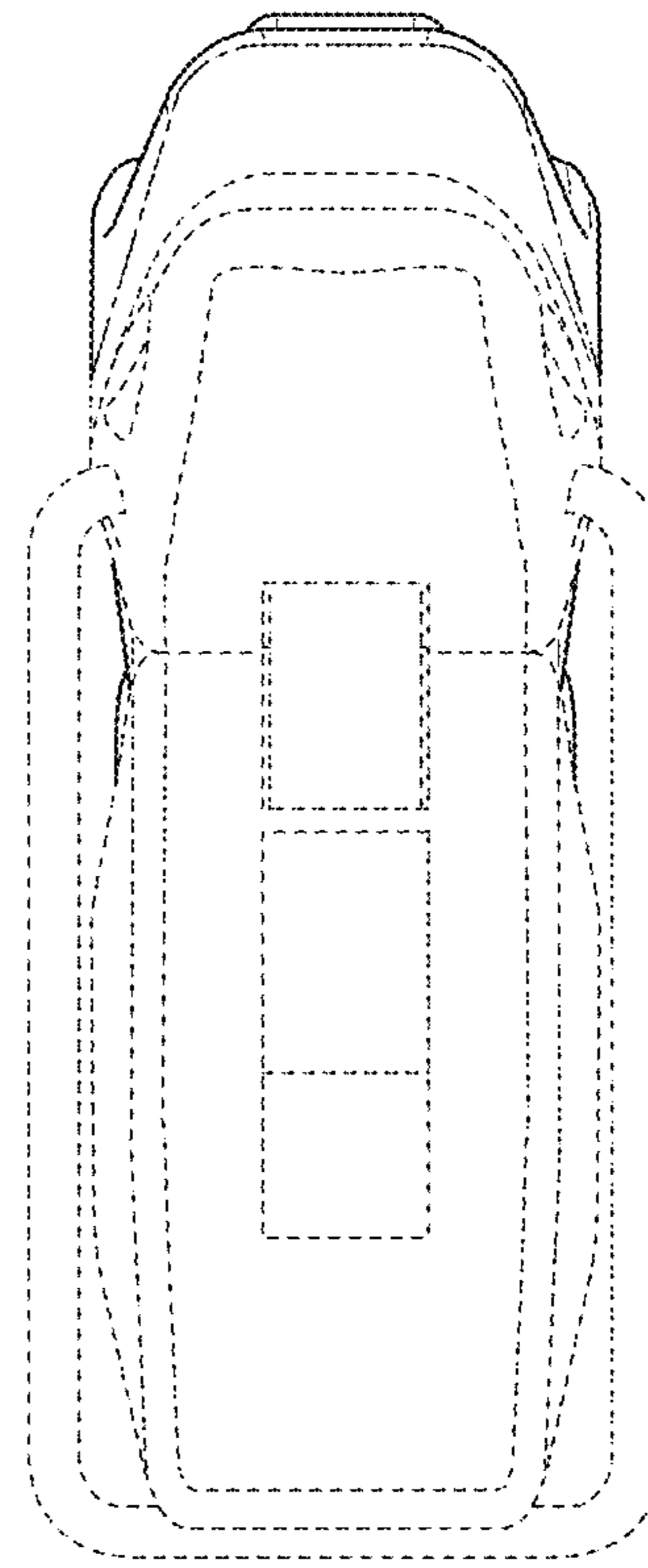


FIG. 5

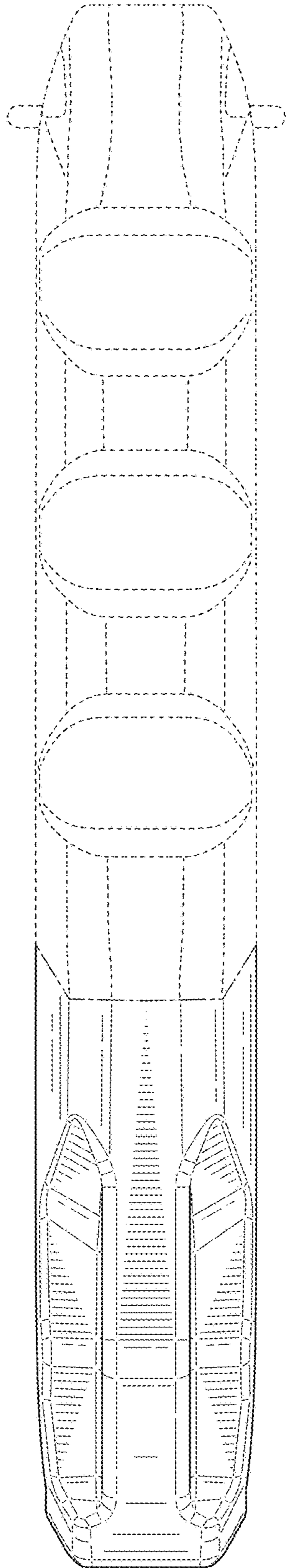


FIG. 6

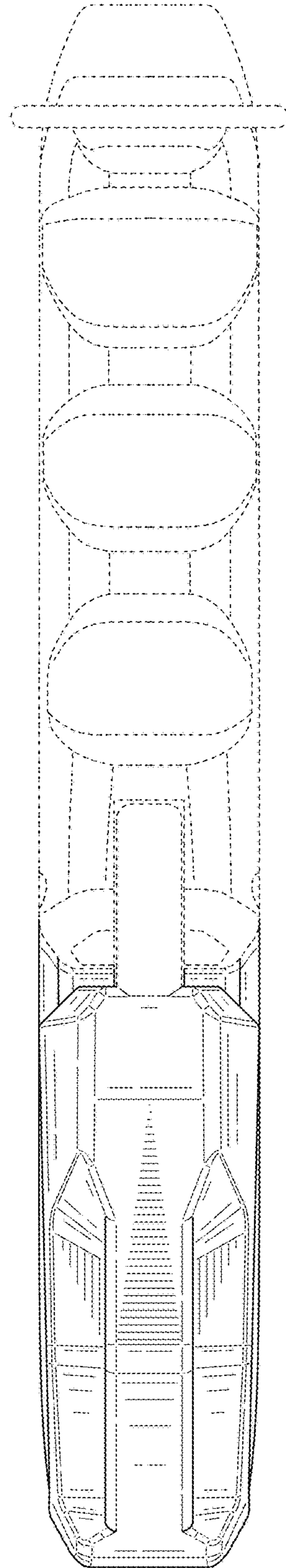


FIG. 7