



US00D803975S

(12) **United States Design Patent**  
**Efurd**

(10) **Patent No.:** **US D803,975 S**

(45) **Date of Patent:** **\*\* Nov. 28, 2017**

- (54) **COVER FOR FISHING HOOKS**
- (71) Applicant: **Carl L. Efurd**, Ruiodoso Downs, NM (US)
- (72) Inventor: **Carl L. Efurd**, Ruiodoso Downs, NM (US)
- (\*\*) Term: **15 Years**
- (21) Appl. No.: **29/582,249**
- (22) Filed: **Oct. 26, 2016**
- (51) **LOC (10) Cl.** ..... **22-05**
- (52) **U.S. Cl.**  
USPC ..... **D22/144; D22/134**
- (58) **Field of Classification Search**  
USPC ..... D22/134, 139, 144; 206/315.11;  
43/25.2, 57.1, 57.2; D3/260  
See application file for complete search history.

- 4,631,856 A \* 12/1986 Born ..... A01K 97/06  
206/315.11
- 5,123,199 A 6/1992 Lysohir et al.
- 5,517,783 A 5/1996 Edgar
- D388,498 S \* 12/1997 Hamilton ..... D22/139
- D400,008 S \* 10/1998 Liaklev ..... D22/144
- 6,711,847 B1 3/2004 Udelhoven
- 7,152,364 B1 12/2006 Repine
- D690,386 S \* 9/2013 Agueria Martinez ..... D22/134
- D709,589 S \* 7/2014 Zebny ..... D22/134

\* cited by examiner

*Primary Examiner* — Catherine R Oliver-Garcia  
(74) *Attorney, Agent, or Firm* — Robert C. Montgomery;  
Montgomery Patent & Design, LP.

(57) **CLAIM**

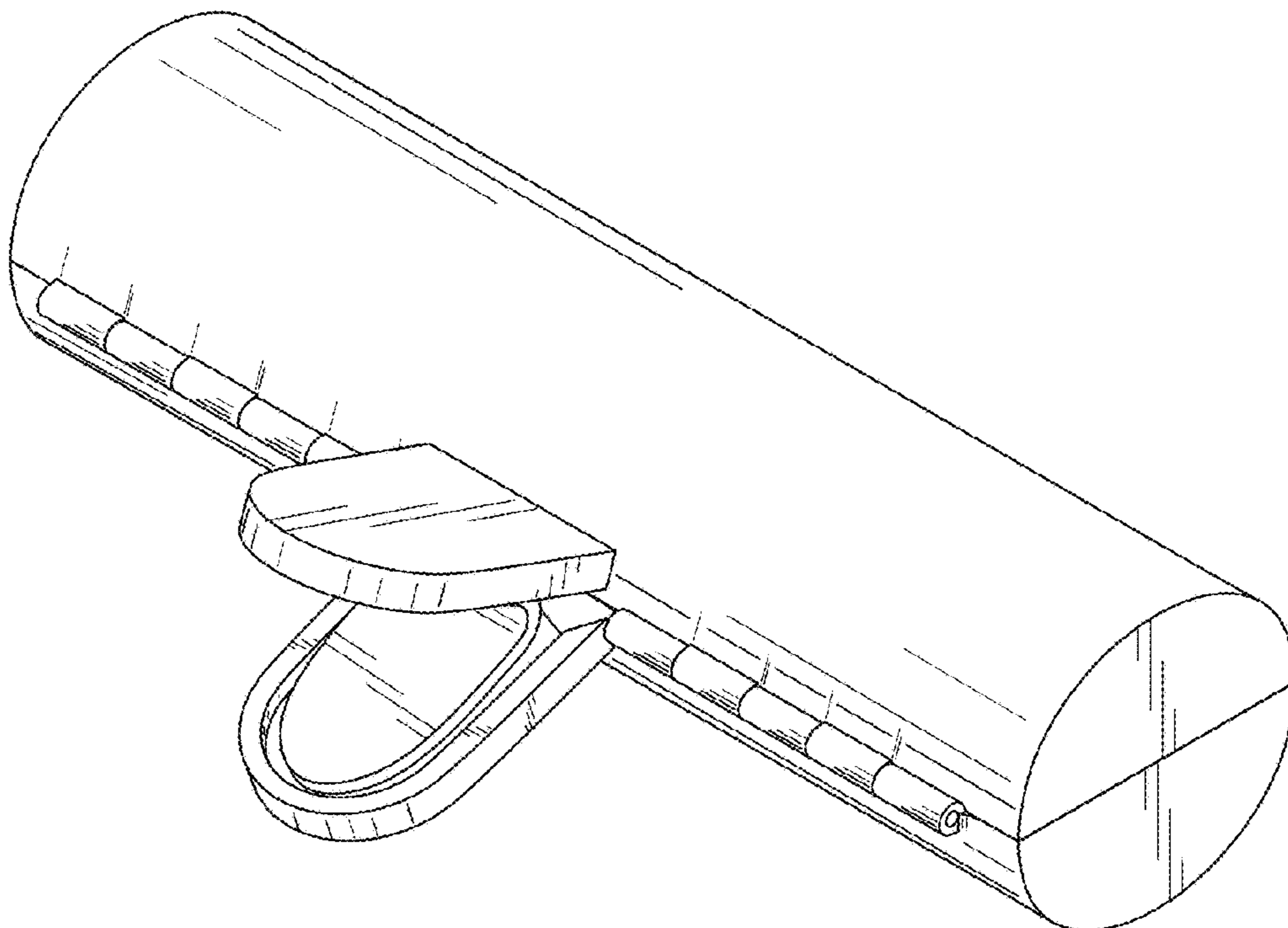
The ornamental design for a cover for fishing hooks, as shown and described.

**DESCRIPTION**

FIG. 1 is a top perspective view of a cover for fishing hooks, showing my new design;  
FIG. 2 is a bottom perspective view thereof;  
FIG. 3 is a rear elevation view thereof;  
FIG. 4 is a front elevation view thereof;  
FIG. 5 is a right side elevation view thereof;  
FIG. 6 is a left side elevation view thereof;  
FIG. 7 is a top plan view thereof; and,  
FIG. 8 is a bottom plan view thereof.

**1 Claim, 8 Drawing Sheets**

- (56) **References Cited**  
U.S. PATENT DOCUMENTS
- 2,619,699 A 12/1952 Meeker
- 2,849,825 A 9/1958 Reisner
- D217,663 S \* 5/1970 Chamberlain ..... 43/25.2
- D219,973 S \* 2/1971 Sather ..... 43/57.1
- 4,015,361 A \* 4/1977 O'Reilly ..... A01K 97/06  
43/25.2
- 4,332,060 A 6/1982 Sato
- 4,614,054 A 9/1986 Fovenyessy



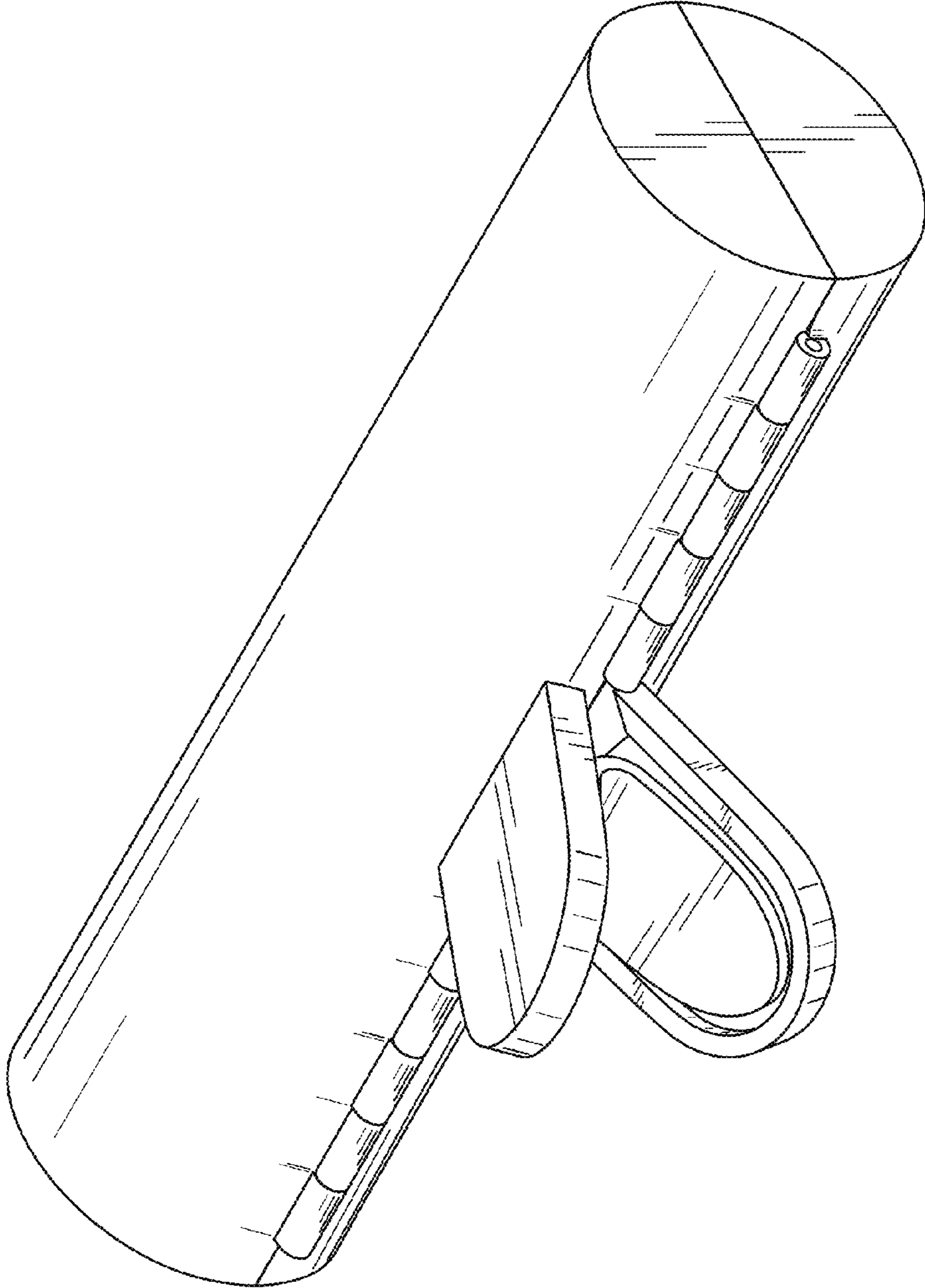


FIG. 1

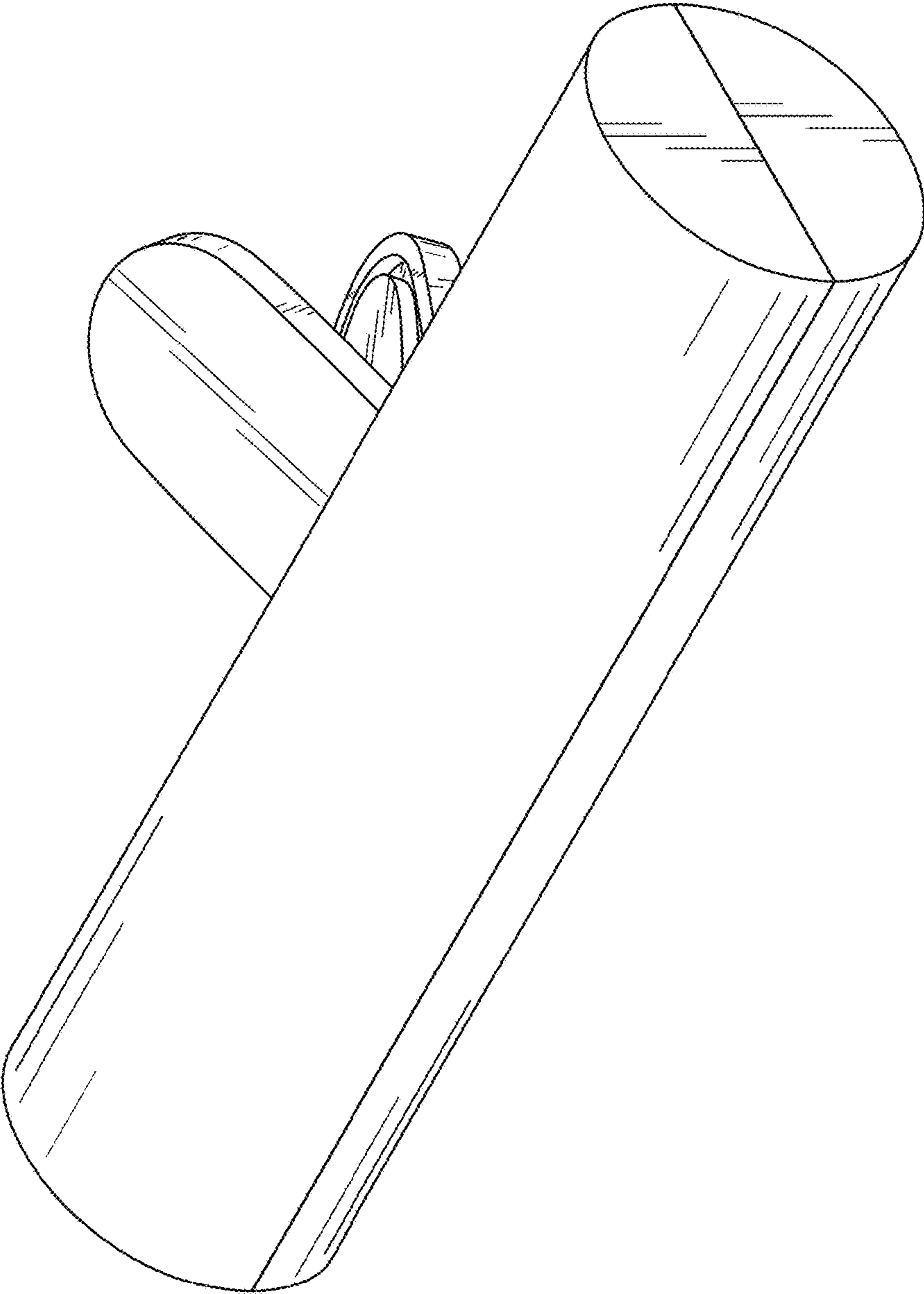


FIG. 2

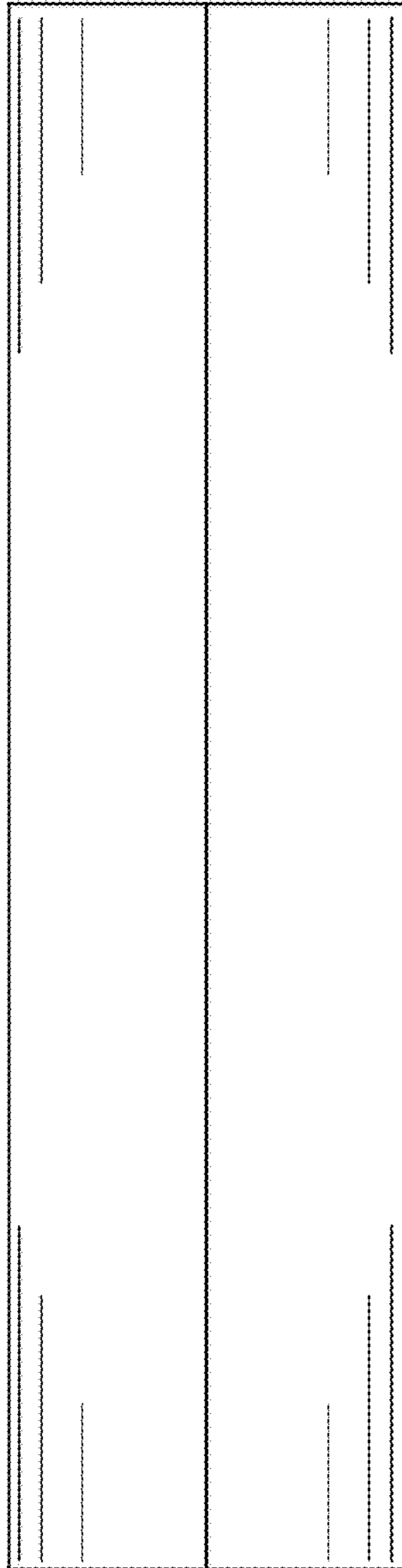


FIG. 3

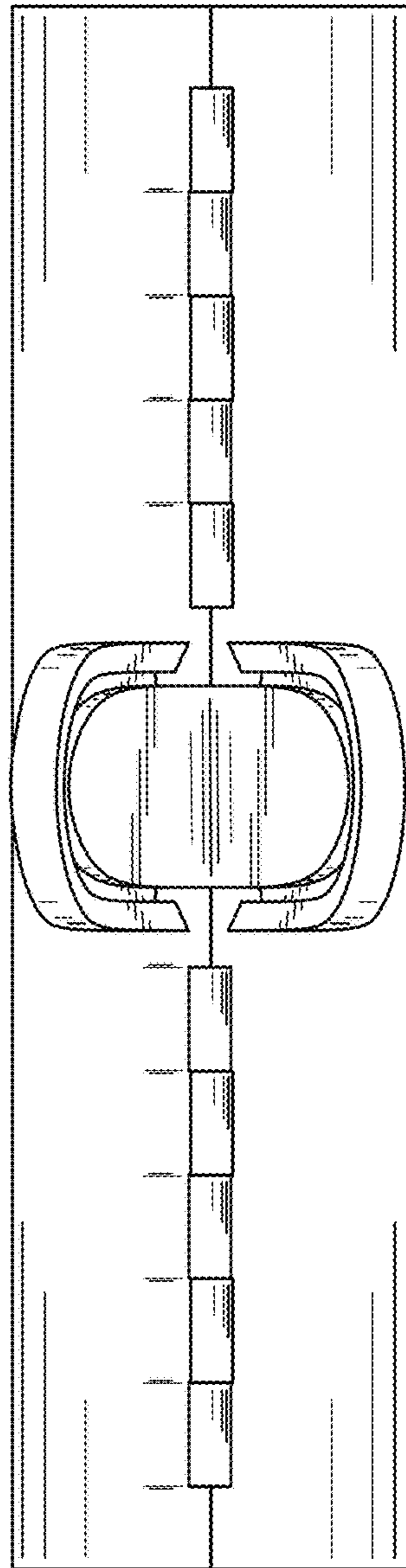


FIG. 4

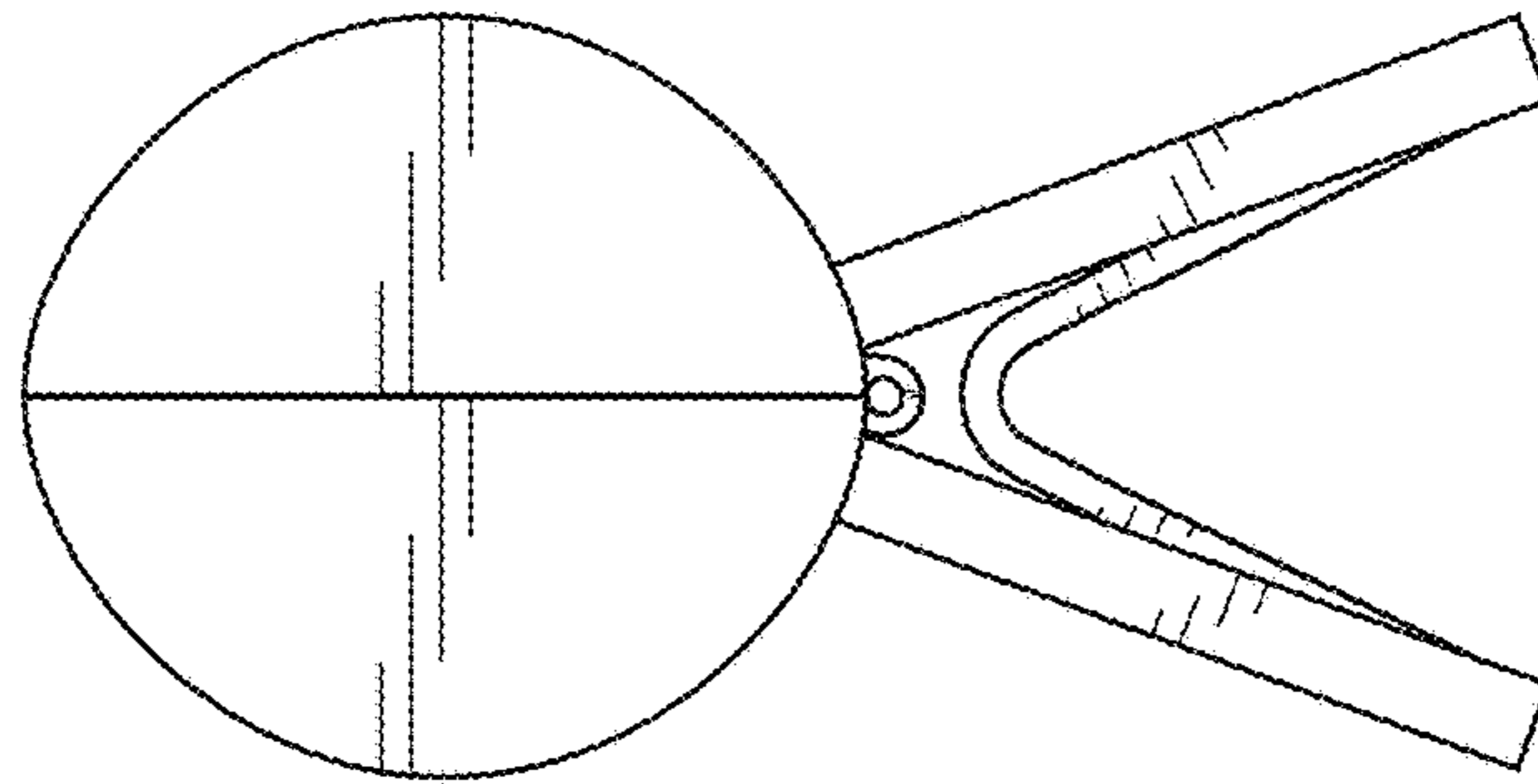


FIG. 5

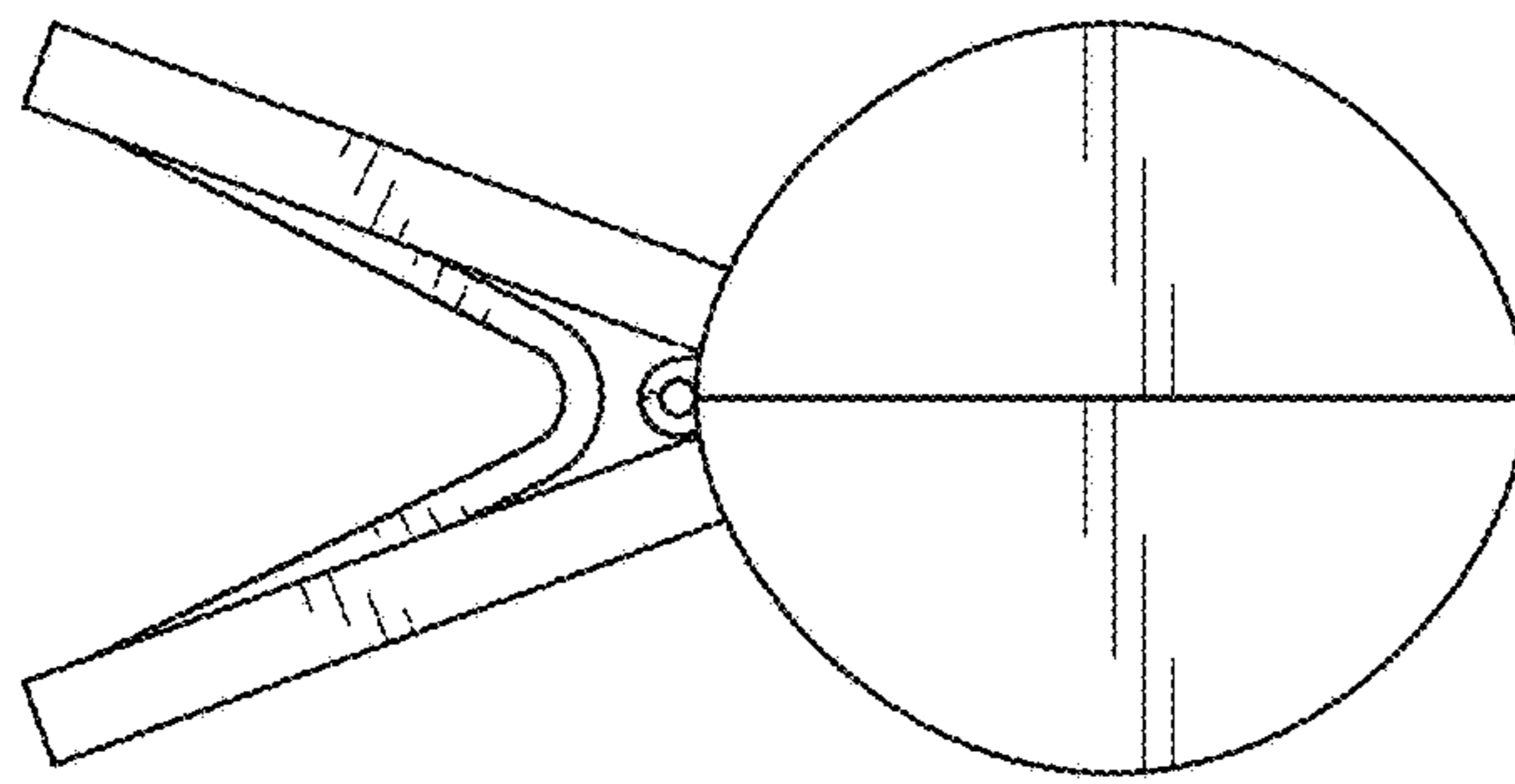


FIG. 6

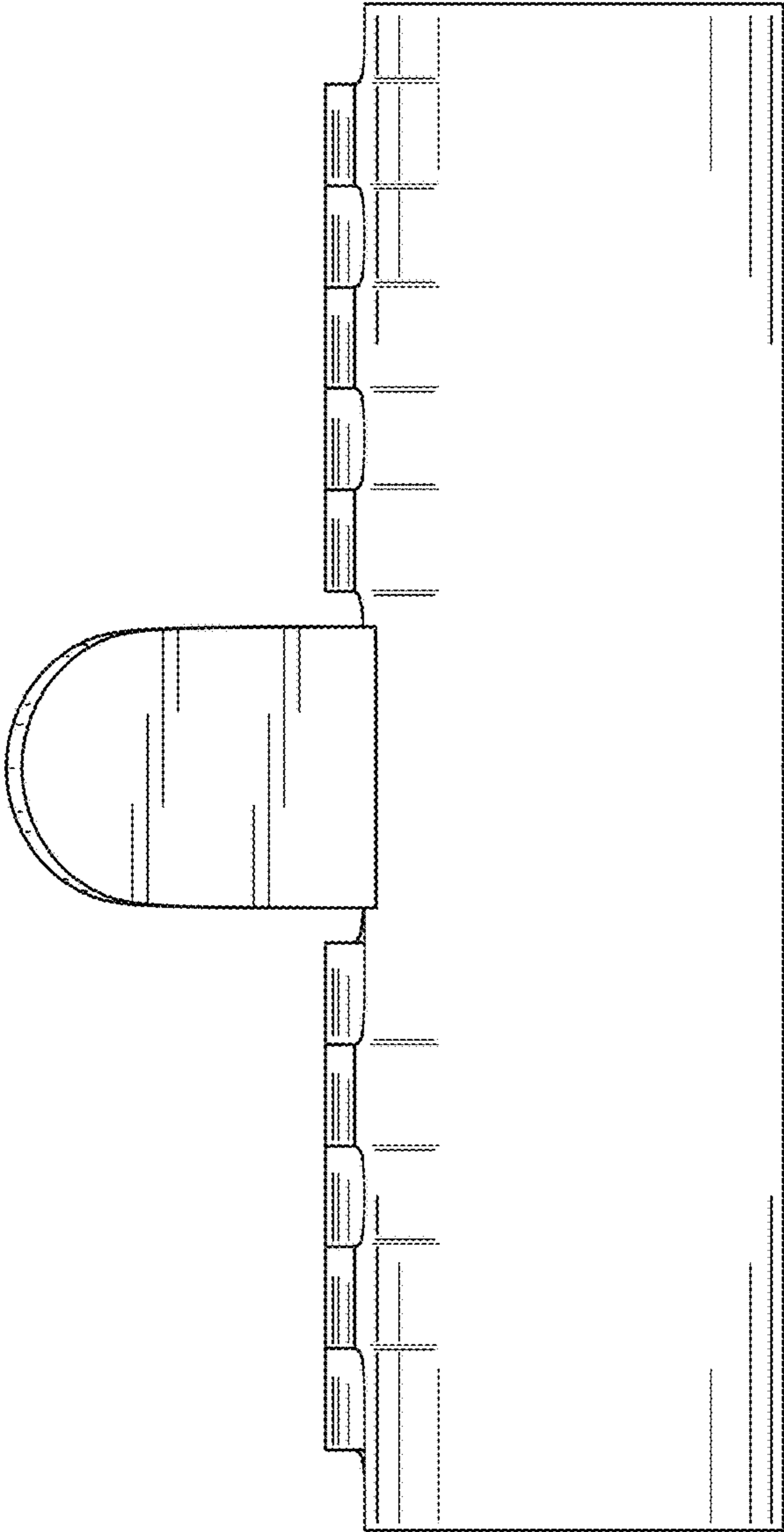


FIG. 7



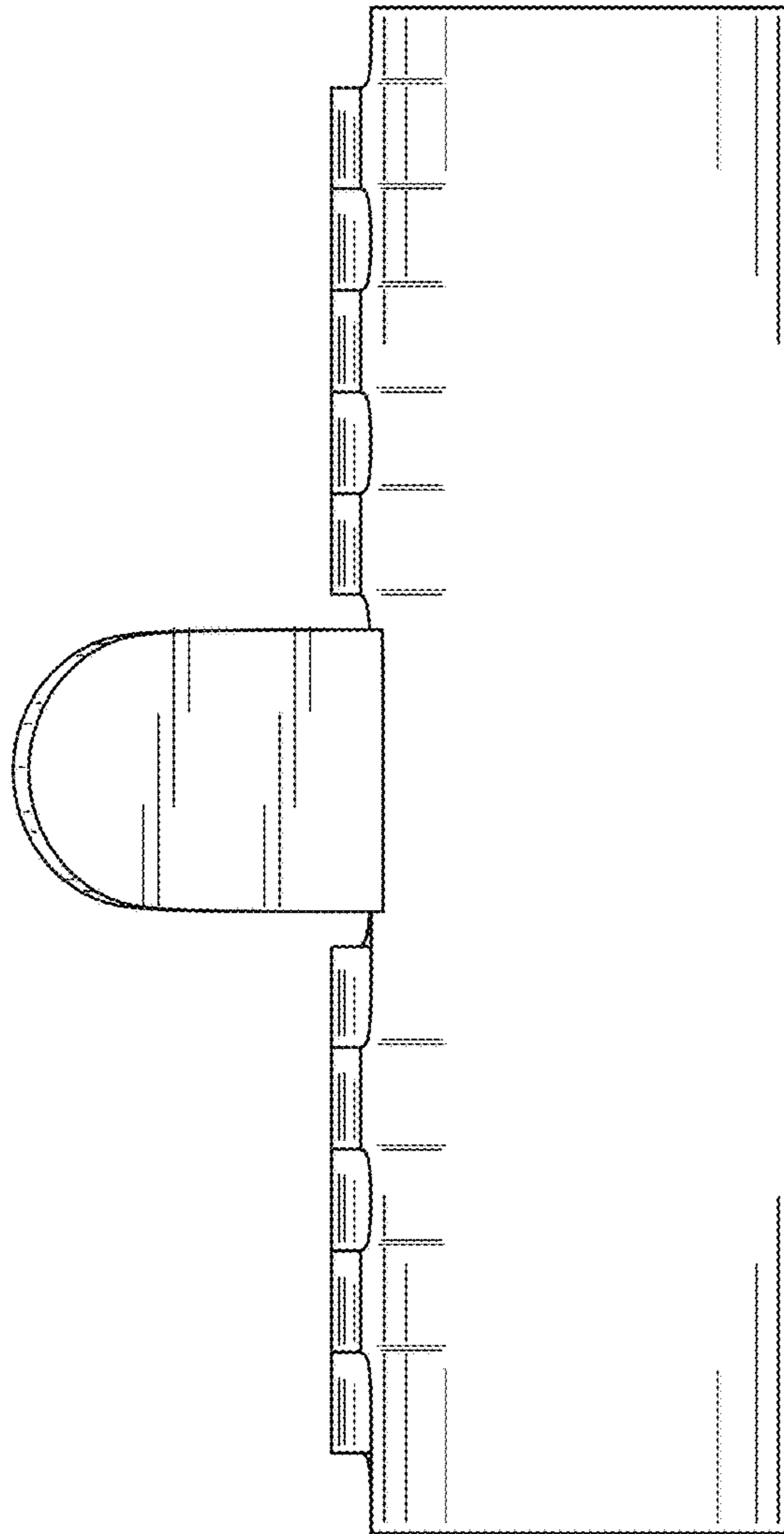


FIG. 8